



US00D536059S

(12) **United States Design Patent**
King et al.

(10) **Patent No.:** **US D536,059 S**

(45) **Date of Patent:** **** Jan. 30, 2007**

(54) **DISPENSING DEVICE**

(75) Inventors: **Christopher Brian King**, Hampton, NJ (US); **Robert Zhong Lu**, Hasbrouck Heights, NJ (US)

(73) Assignee: **Reckitt Benckiser Inc.**, Parsippany, NJ (US)

(**) Term: **14 Years**

(21) Appl. No.: **29/234,277**

(22) Filed: **Jul. 15, 2005**

(51) **LOC (8) Cl.** **23-01**

(52) **U.S. Cl.** **D23/208**

(58) **Field of Classification Search** D23/208;
4/231, 223, 225.1, 227.1

See application file for complete search history.

(56) **References Cited**

U.S. PATENT DOCUMENTS

1,974,955 A * 9/1934 Foltis 4/231
4,777,670 A * 10/1988 Klinkhammer et al. 4/231

6,625,821 B2 * 9/2003 Lhoste 4/231
6,817,040 B2 * 11/2004 Klinkhammer et al. 4/231
D500,548 S * 1/2005 Conway et al. D23/208

* cited by examiner

Primary Examiner—Robin Webster

(74) *Attorney, Agent, or Firm*—Norris McLaughlin & Marcus, PA

(57) **CLAIM**

The ornamental design for a dispensing device, as shown and described.

DESCRIPTION

FIG. 1 is a front perspective view of a dispensing device showing our new design, the hanger shown in broken lines is for illustrative purposes only and forms no part of the claimed design;

FIG. 2 is a plan view of the top thereof;

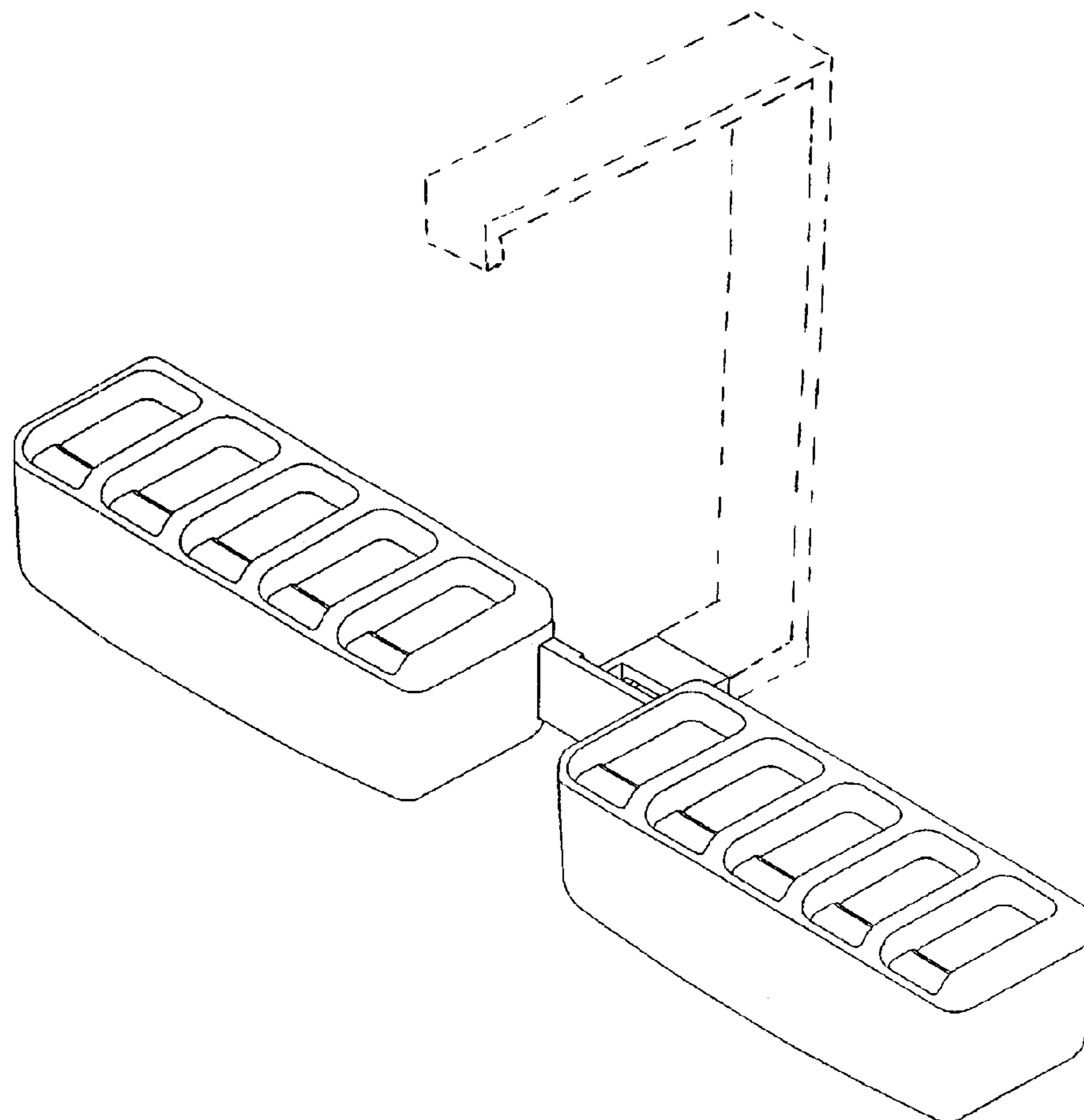
FIG. 3 is a plan view of the bottom thereof;

FIG. 4 is a plan view of the front thereof;

FIG. 5 is a plan view of the rear thereof; and,

FIG. 6 is a plan view of the side thereof.

1 Claim, 3 Drawing Sheets



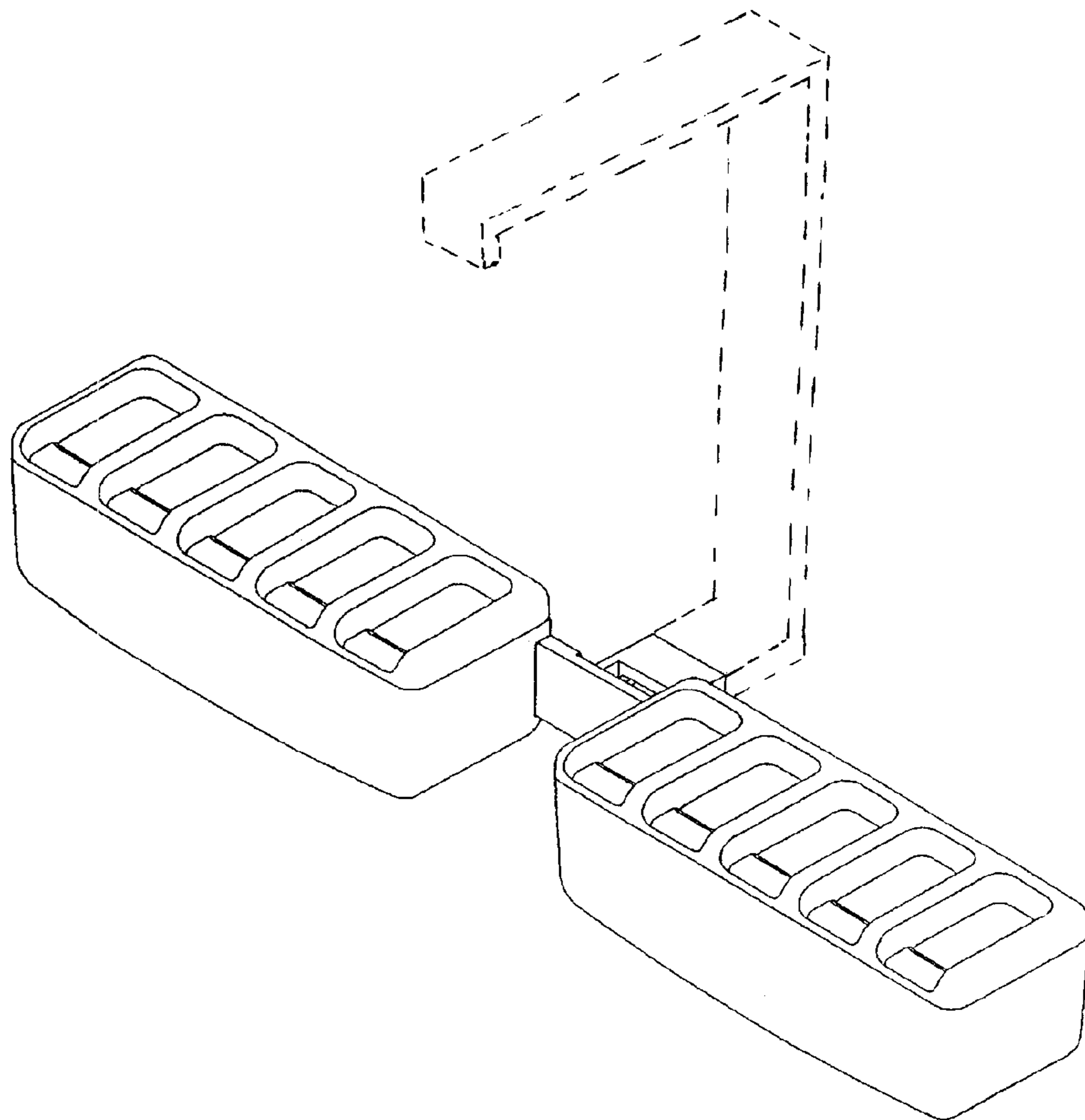


Figure 1

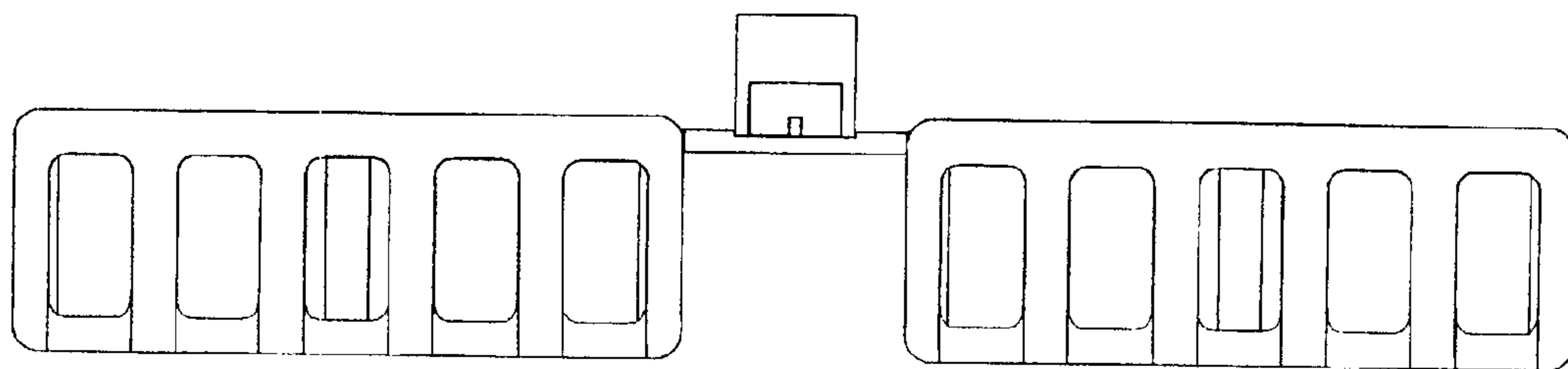


Figure 2

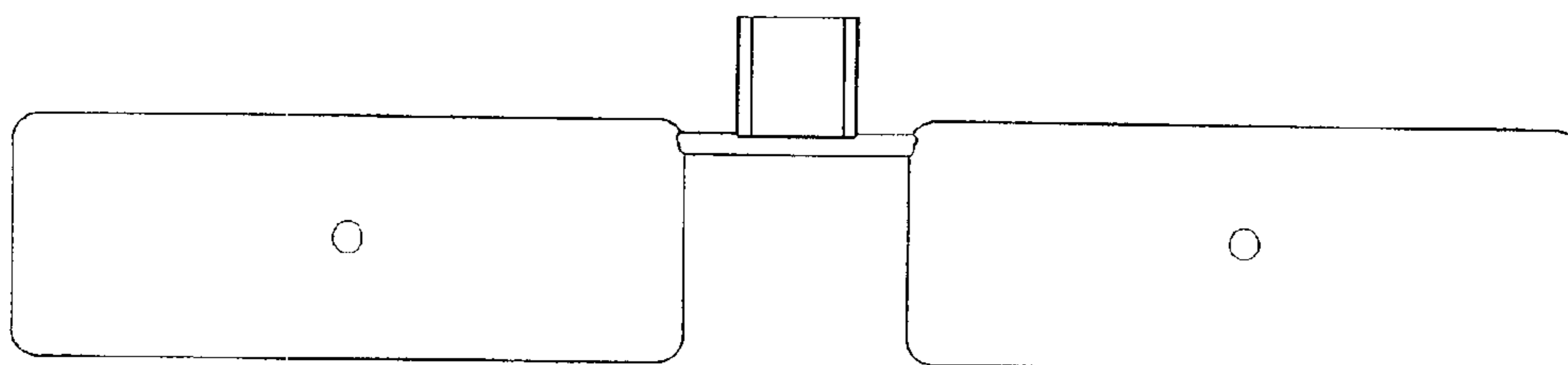


Figure 3

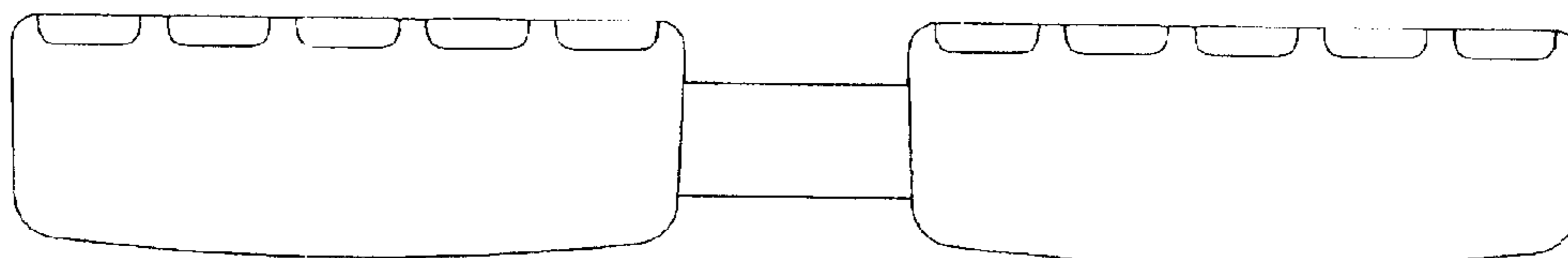


Figure 4

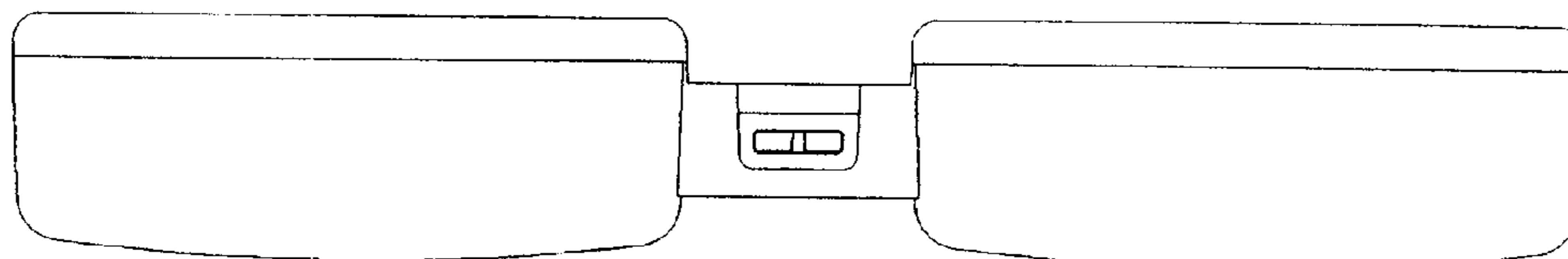


Figure 5

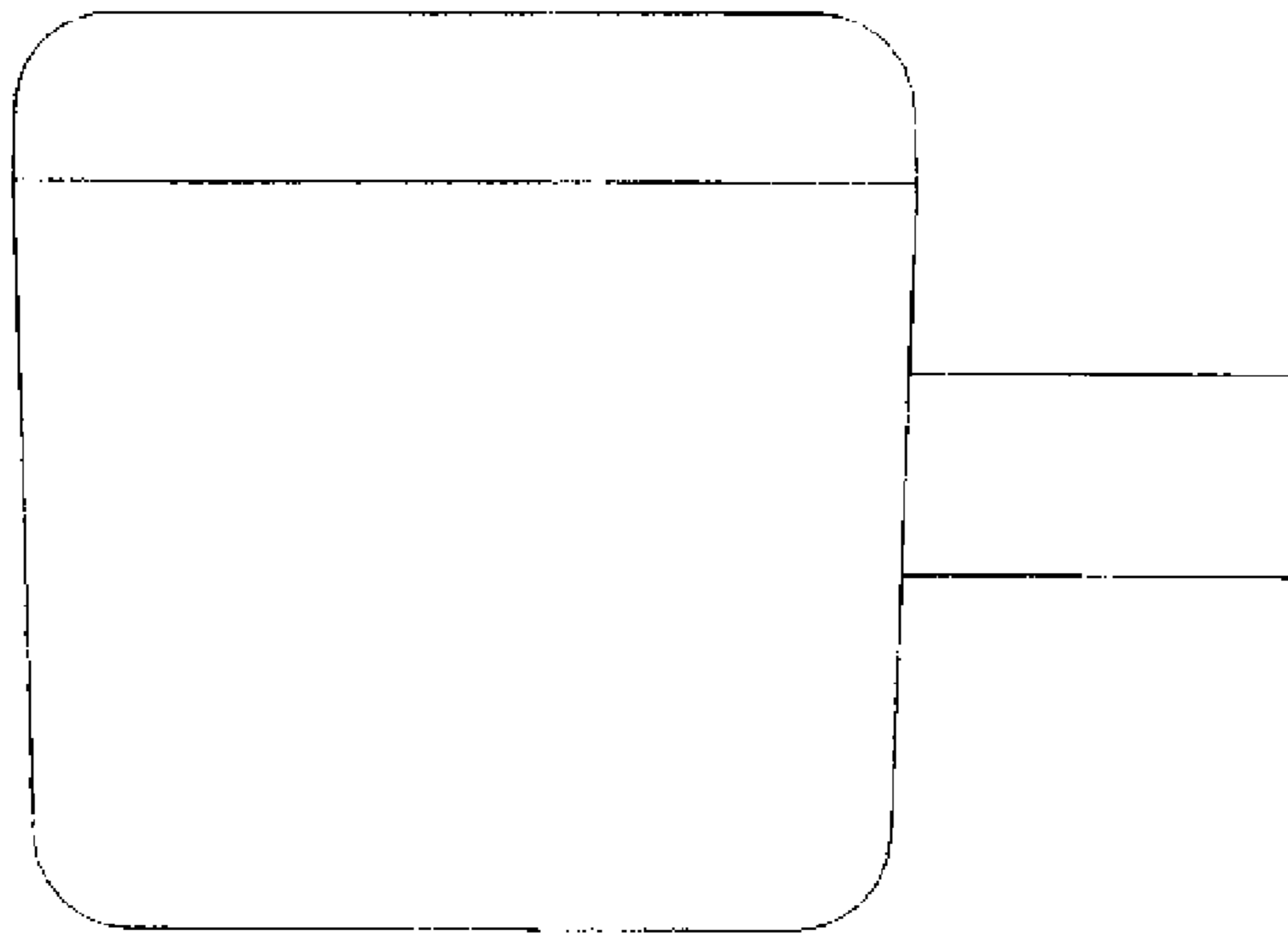


Figure 6