



US00D536055S

(12) **United States Design Patent**
Frost

(10) **Patent No.: US D536,055 S**

(45) **Date of Patent: ** Jan. 30, 2007**

(54) **WEAPON ACCESSORY MOUNT**

(76) **Inventor: Michael Frost, 250 Via San Miguel,
Liberty, KY (US) 42539**

(**) **Term: 14 Years**

(21) **Appl. No.: 29/251,557**

(22) **Filed: Jan. 10, 2006**

(51) **LOC (8) Cl. 22-01**

(52) **U.S. Cl. D22/110**

(58) **Field of Classification Search** D22/100,
D22/108, 109, 110, 199; D16/132; D26/38;
42/124-127, 111-112, 119; 248/229.1; 362/100,
362/113, 114

See application file for complete search history.

(56) **References Cited**

U.S. PATENT DOCUMENTS

2,043,430	A	*	6/1936	Doe	42/125
3,491,975	A	*	1/1970	Weaver	42/124
3,513,549	A	*	5/1970	Smiley	42/126
3,611,606	A	*	10/1971	Sefried et al.	42/124
3,671,000	A	*	6/1972	Williams	248/205.1
3,986,285	A	*	10/1976	Krisay	42/127
4,216,600	A	*	8/1980	Brueckner et al.	42/127
D260,165	S	*	8/1981	Ross	D22/110
5,086,566	A	*	2/1992	Klumpp	42/126
D391,335	S	*	2/1998	Bechtel	D22/110
D394,096	S	*	5/1998	Edgar	D22/110
5,787,630	A	*	8/1998	Martel	42/125
D403,393	S	*	12/1998	Weast	D22/110
D422,045	S	*	3/2000	Fell et al.	D22/110

D444,531	S	*	7/2001	Squillante et al.	D22/110
6,425,561	B2	*	7/2002	Wooten et al.	248/229.1
D483,431	S	*	12/2003	Squillante et al.	D22/109
D483,650	S	*	12/2003	Squillante et al.	D8/349
D492,977	S	*	7/2004	Squillante et al.	D22/109
D505,177	S	*	5/2005	Fell et al.	D22/110

* cited by examiner

Primary Examiner—Ian Simmons

Assistant Examiner—Melanie Levy

(74) *Attorney, Agent, or Firm*—Larson & Larson, PA;
Herbert W. Larson

(57) **CLAIM**

The ornamental design for a weapon accessory mount, as shown and described.

DESCRIPTION

FIG. 1 is a front elevation view of the weapon accessory mount, showing my novel design;
 FIG. 2 is a rear elevation view thereof;
 FIG. 3 is a left side elevation view thereof;
 FIG. 4 is a right side elevation view thereof;
 FIG. 5 is a top plan view thereof;
 FIG. 6 is a bottom plan view thereof;
 FIG. 7 is a perspective view of the weapon accessory mount of the present invention; and,
 FIG. 8 is a perspective view of a double-sided weapon accessory mount of the present invention as shown attached to a rifle barrel.
 The broken lines shown in FIG. 8 are for illustrative purposes only and form no part of the claimed design.

1 Claim, 5 Drawing Sheets

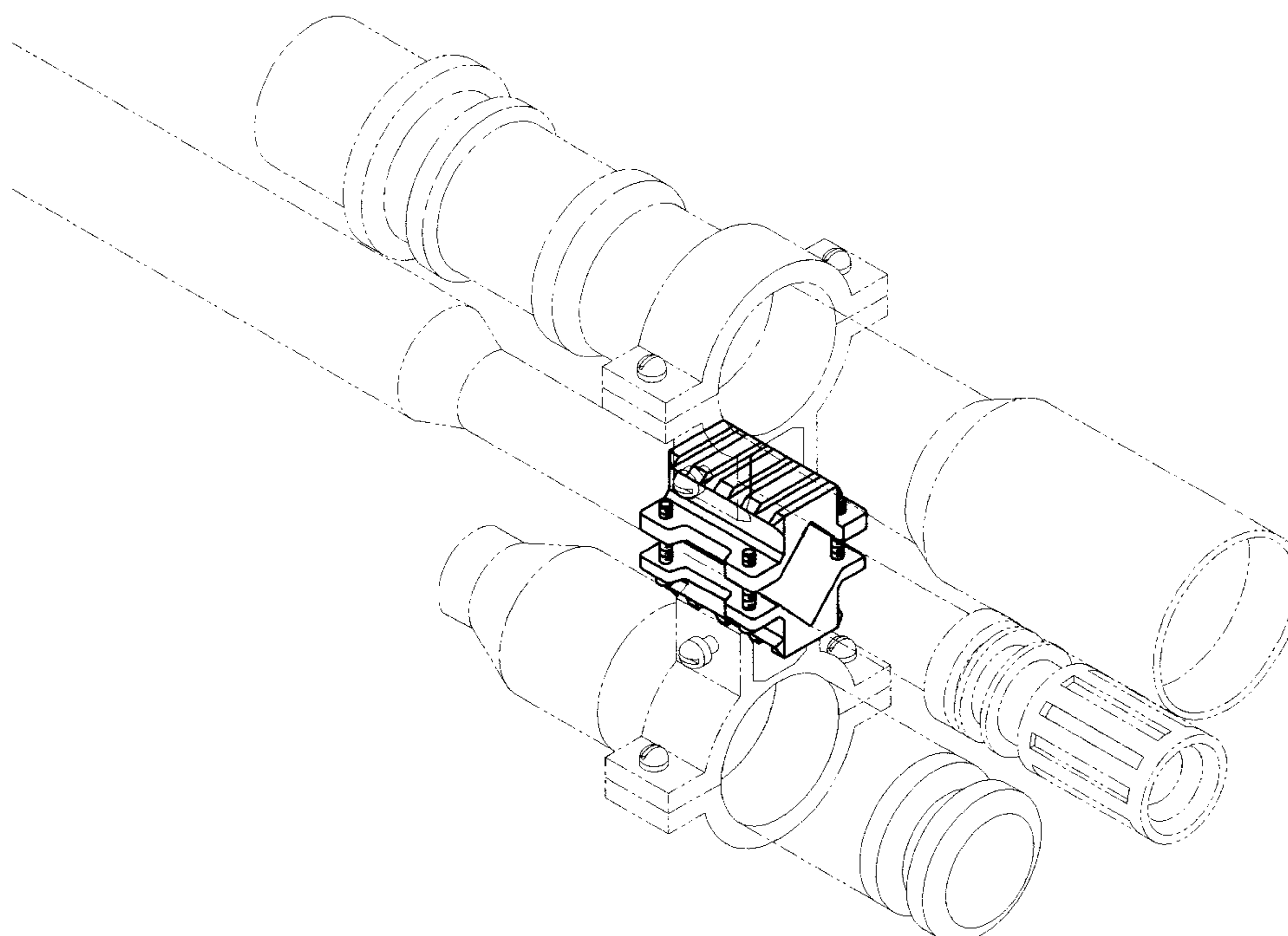


FIG. 1

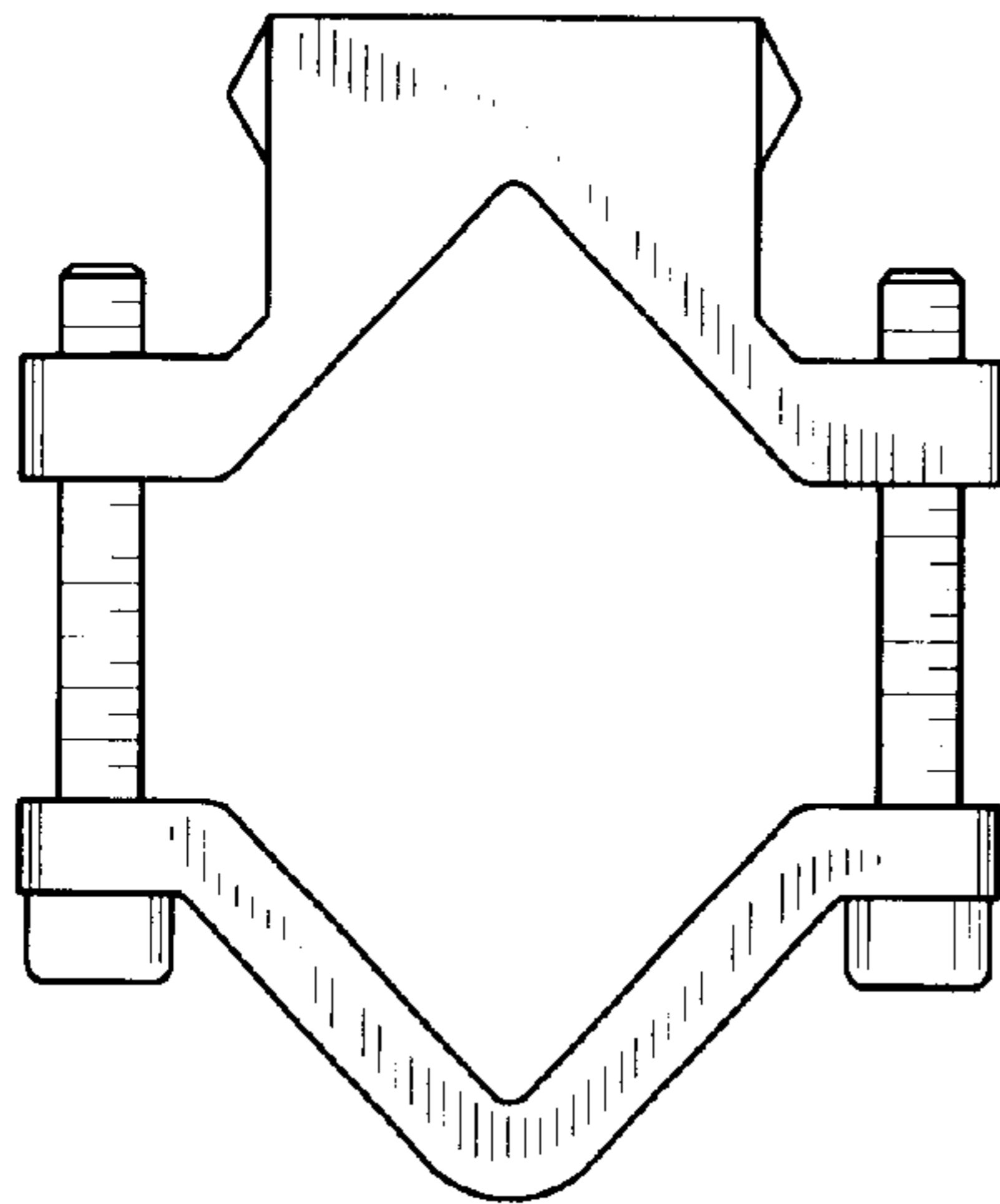


FIG. 2

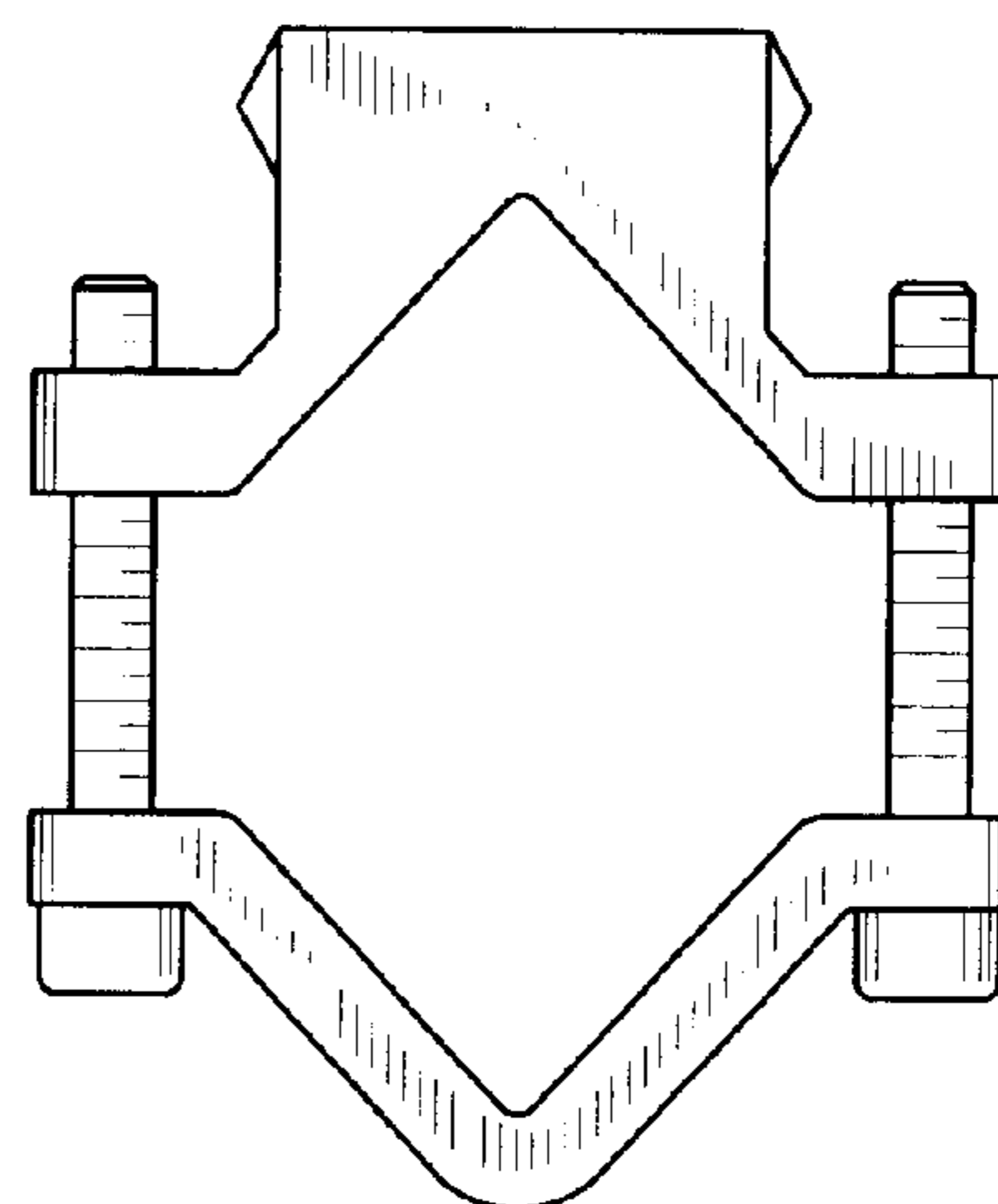


FIG. 3

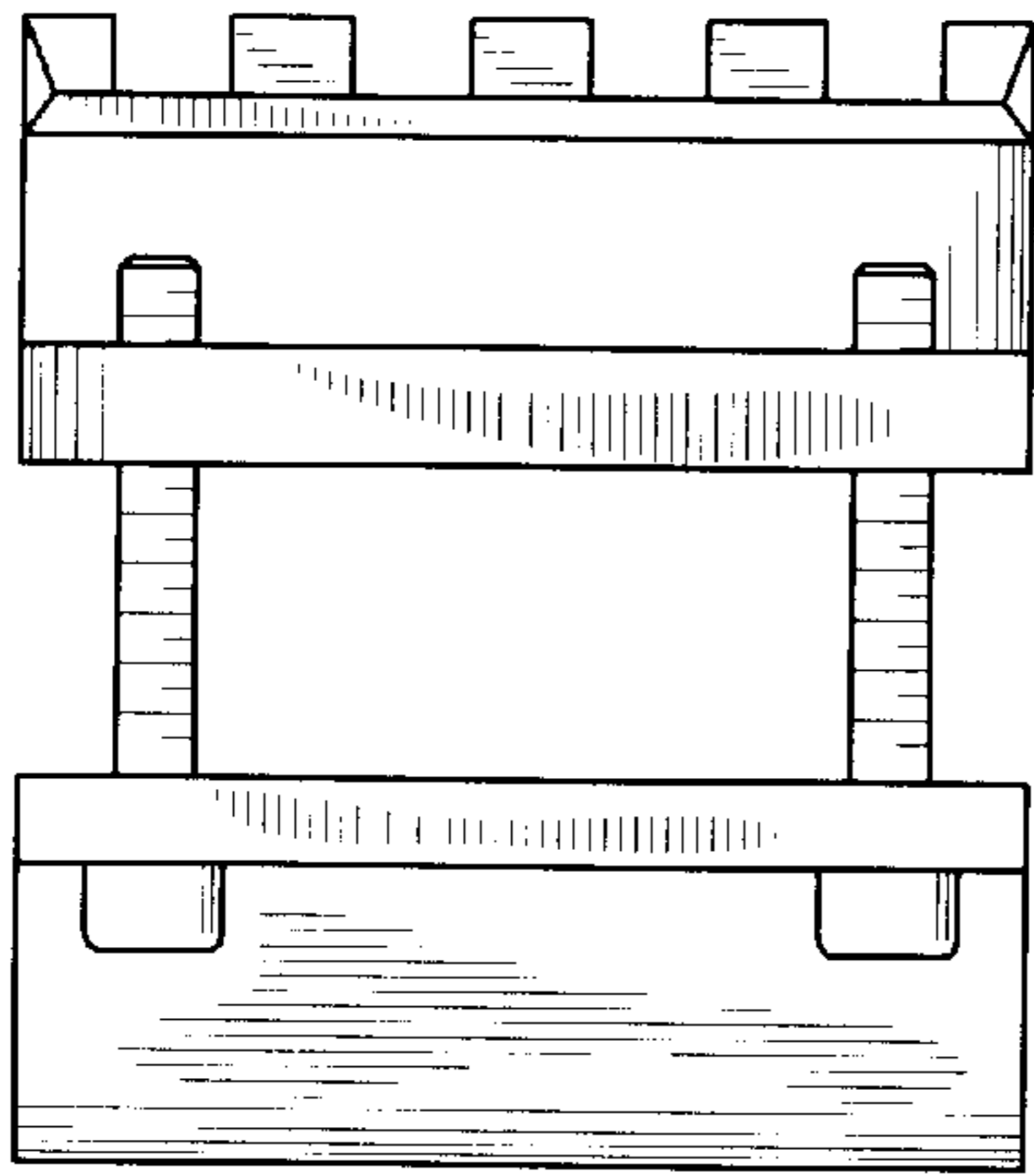


FIG. 4

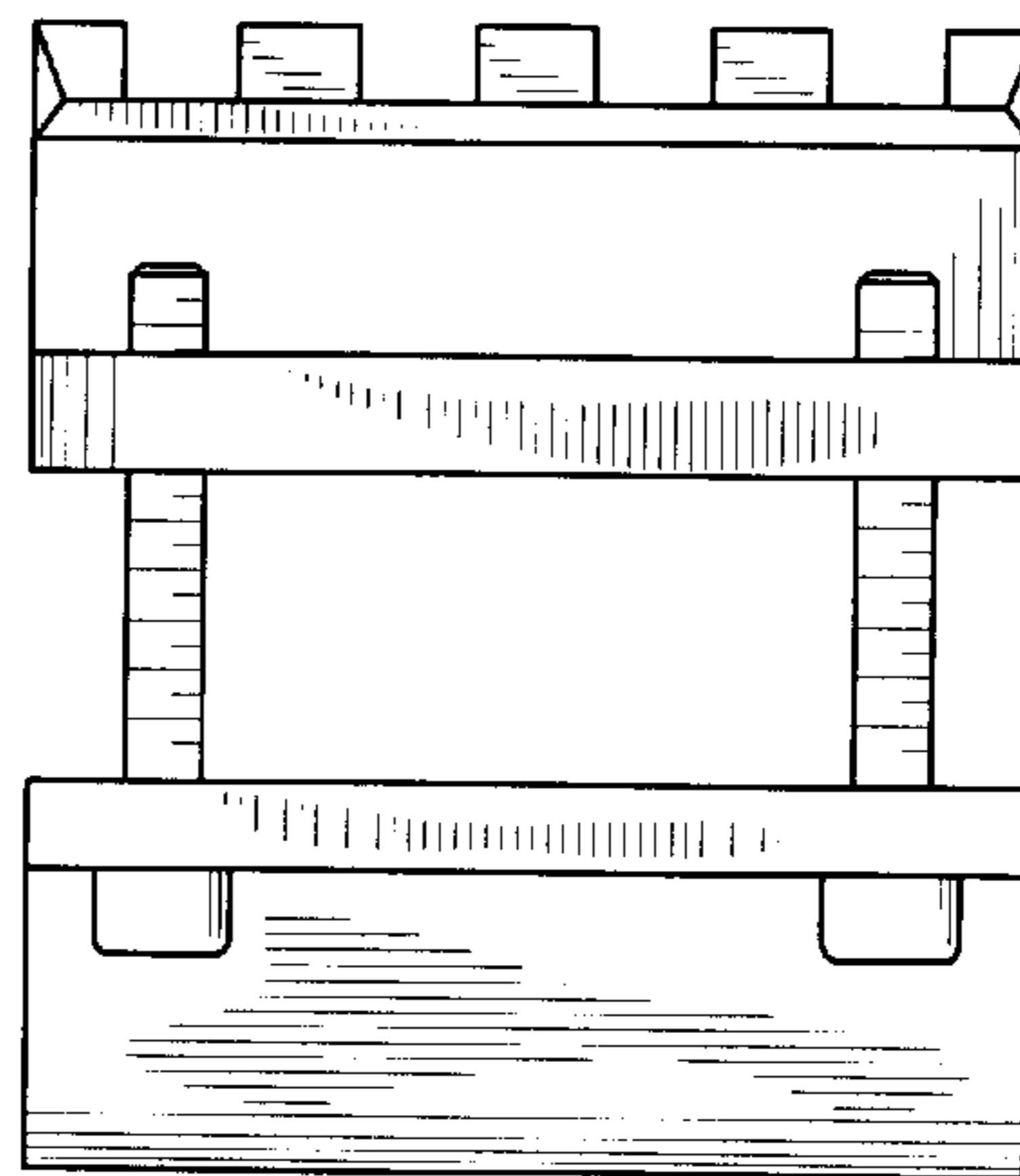


FIG. 5

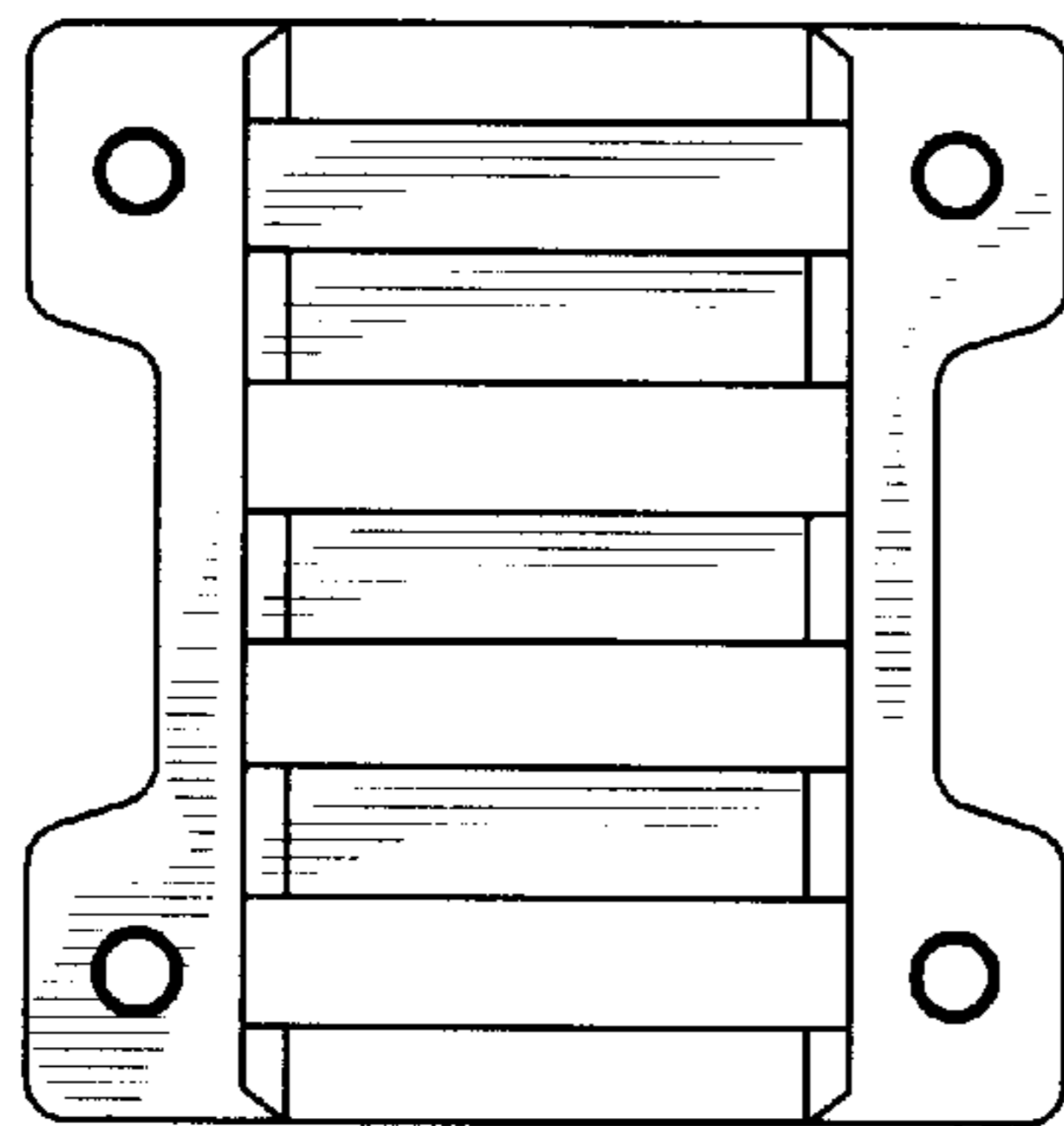


FIG. 6

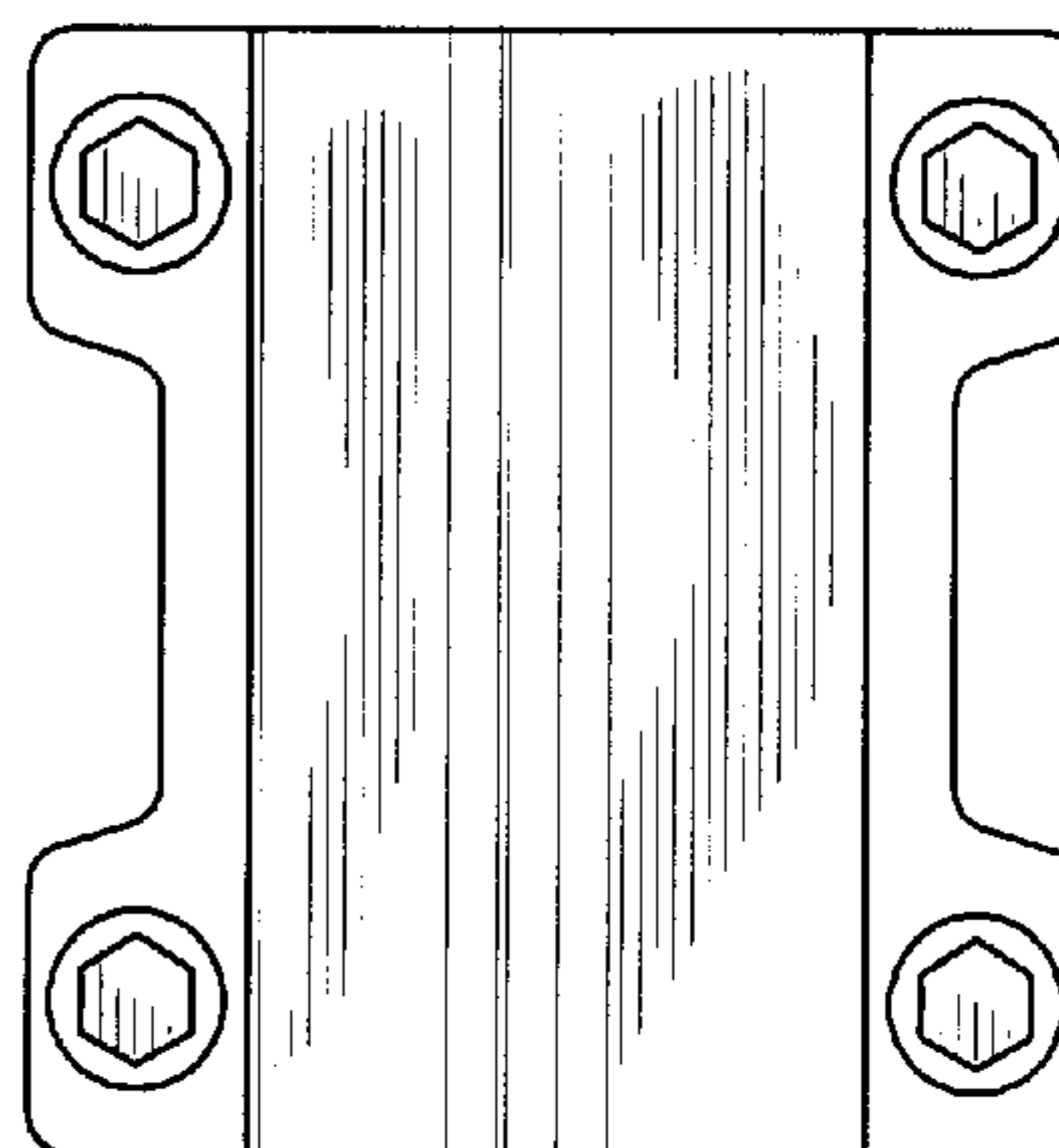


FIG. 7

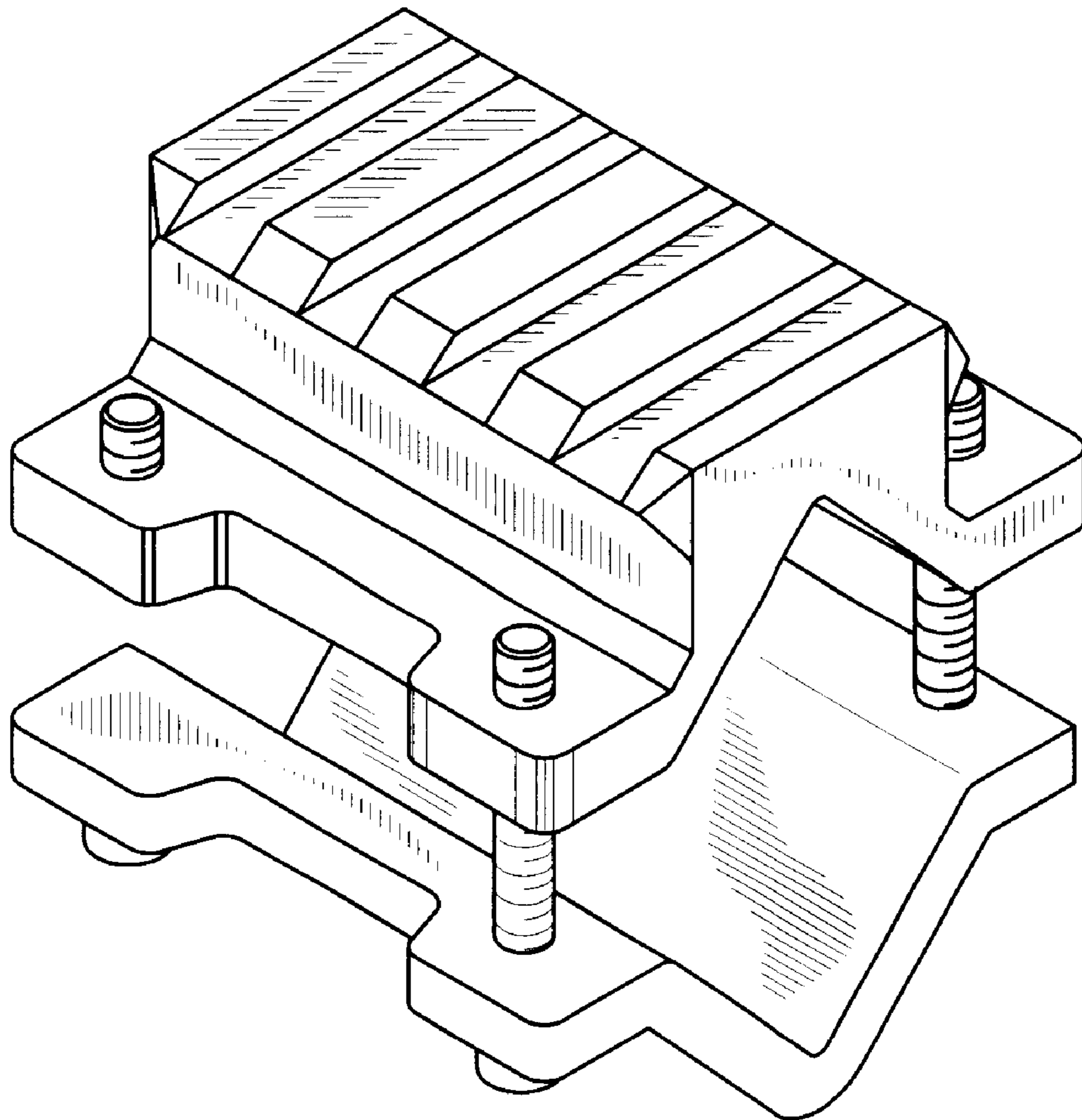


FIG. 8

