



US00D536053S

(12) **United States Design Patent**  
**Housley et al.**

(10) **Patent No.:** **US D536,053 S**

(45) **Date of Patent:** **\*\* Jan. 30, 2007**

(54) **GUN CUPOLA**

(75) Inventors: **Charles E. Housley**, Canal Fulton, OH (US); **Michael H. Lewis**, Canton, OH (US)

(73) Assignee: **Lockheed Martin Corporation**, Akron, OH (US)

(\*\*) Term: **14 Years**

(21) Appl. No.: **29/241,901**

(22) Filed: **Nov. 3, 2005**

(51) **LOC (8) Cl.** ..... **22-01**

(52) **U.S. Cl.** ..... **D22/100**

(58) **Field of Classification Search** ..... D22/100, D22/108, 199; 114/1, 5-9; D12/300; 89/37.01, 89/36.13, 14.05, 37.03, 37.14

See application file for complete search history.

(56) **References Cited**

**U.S. PATENT DOCUMENTS**

461,517 A \* 10/1891 Avey ..... 114/6  
2,598,231 A \* 5/1952 Davies ..... 89/37.22  
3,241,446 A \* 3/1966 Wey ..... 89/36.13  
4,457,206 A \* 7/1984 Toullos et al. .... 89/14.05

D275,304 S \* 8/1984 Bacon ..... D22/108  
4,686,772 A \* 8/1987 Sobel ..... 33/333  
4,840,108 A \* 6/1989 Hurlemann et al. .... 89/33.14  
5,105,716 A \* 4/1992 Hahn et al. .... 89/36.13  
5,285,714 A \* 2/1994 Sprafke ..... 89/37.03

\* cited by examiner

*Primary Examiner*—Ian Simmons

*Assistant Examiner*—Melanie Levy

(74) *Attorney, Agent, or Firm*—Renner Kenner Greive Bobak Taylor & Weber

(57) **CLAIM**

The ornamental design for a gun cupola, as shown and described.

**DESCRIPTION**

FIG. 1 is a front perspective view of the gun cupola, showing our design;;

FIG. 2 is a front elevational view thereof;

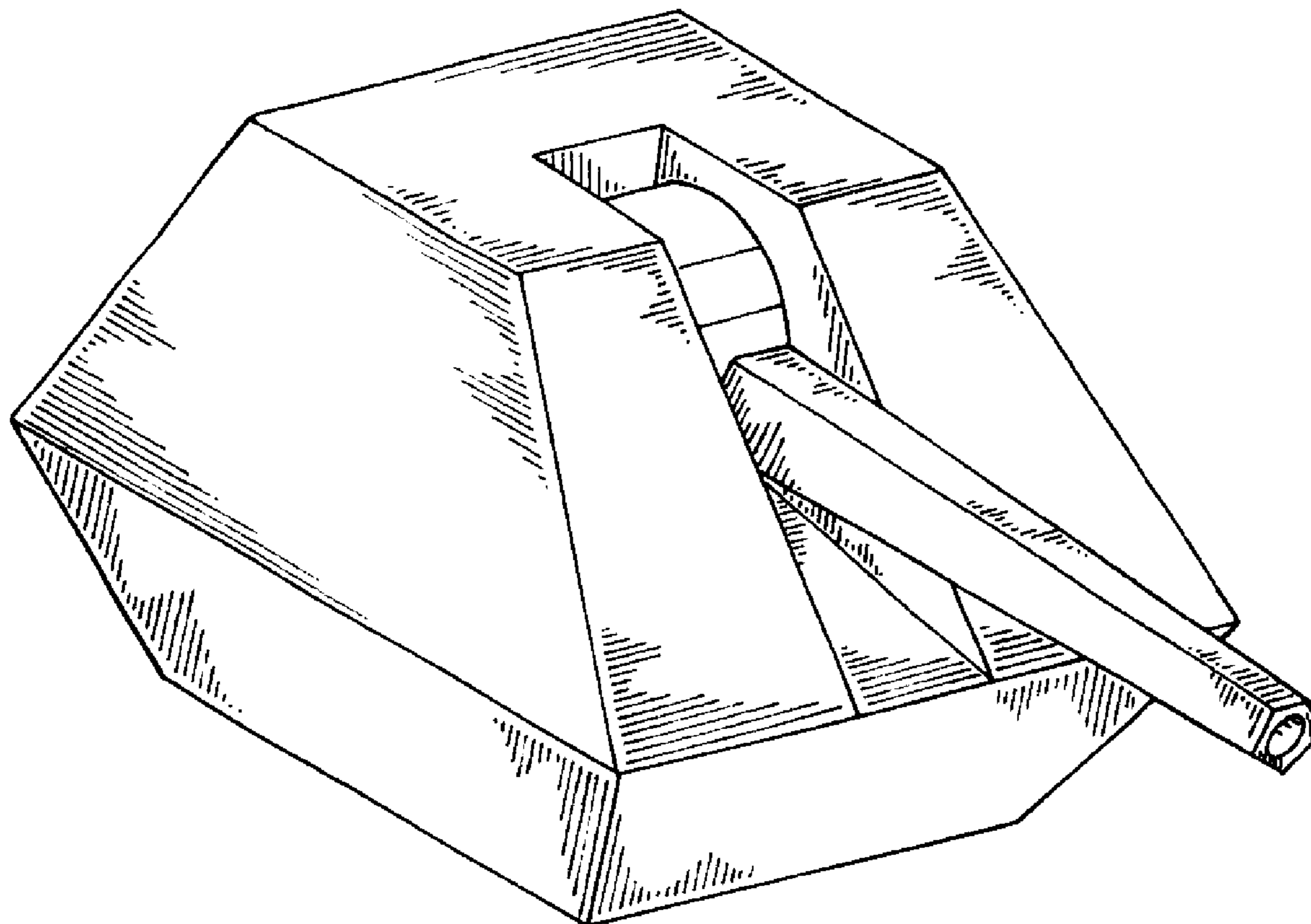
FIG. 3 is a rear elevational view thereof;

FIG. 4 is a side elevational view thereof, the opposite side view being a mirror image thereof;

FIG. 5 is a top view thereof; and,

FIG. 6 is a bottom view thereof.

**1 Claim, 2 Drawing Sheets**



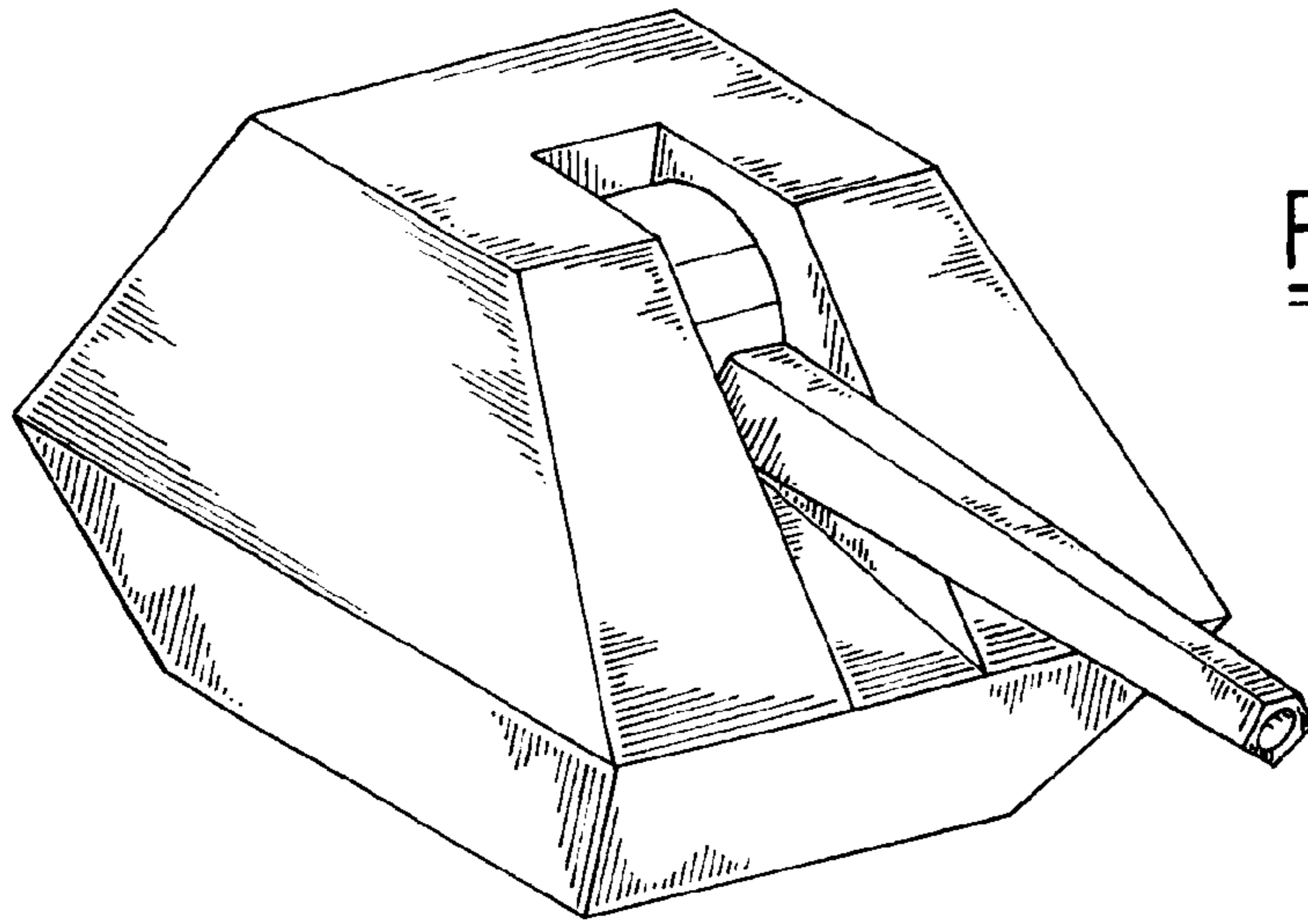


FIG.-1

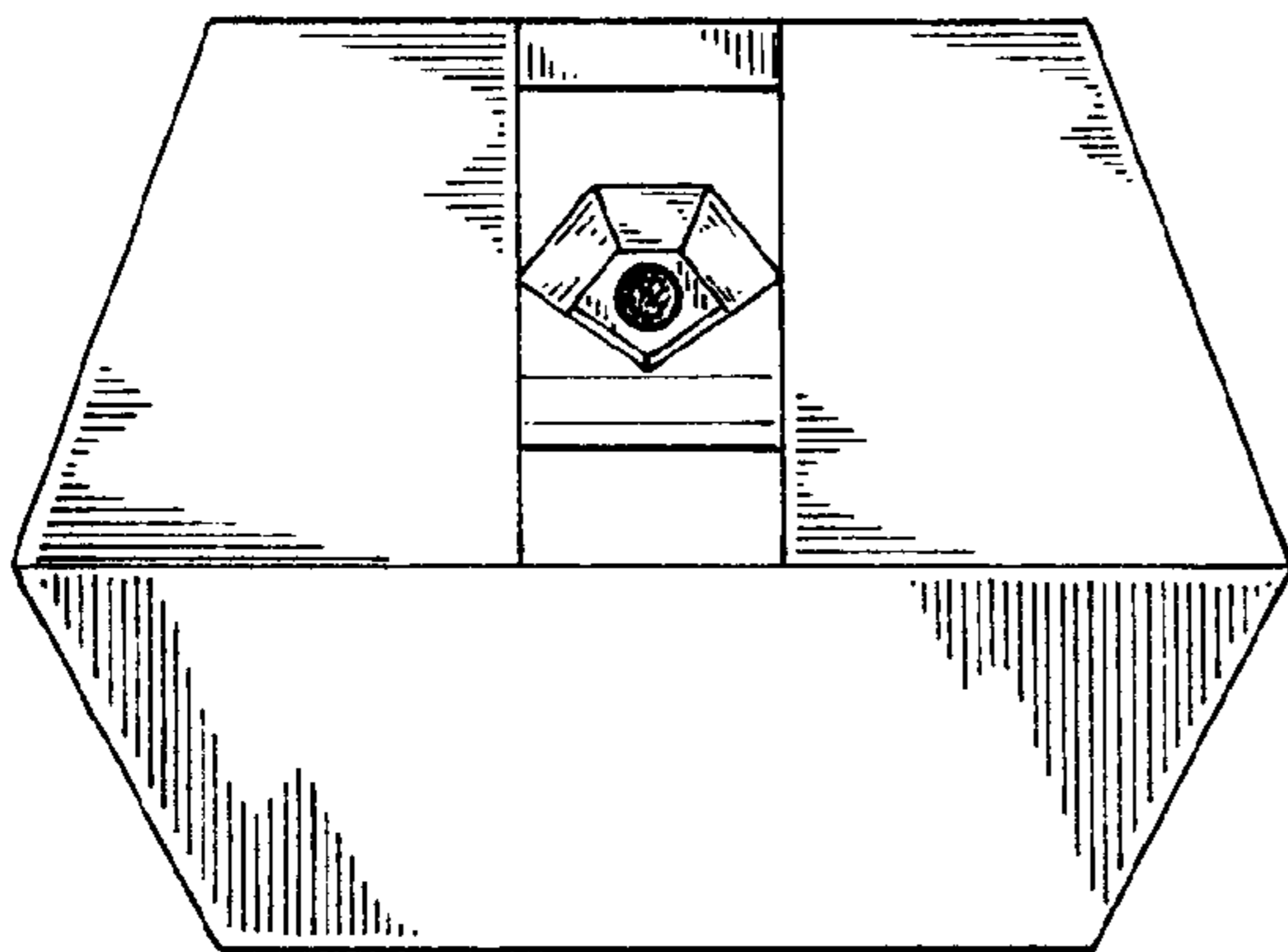


FIG.-2

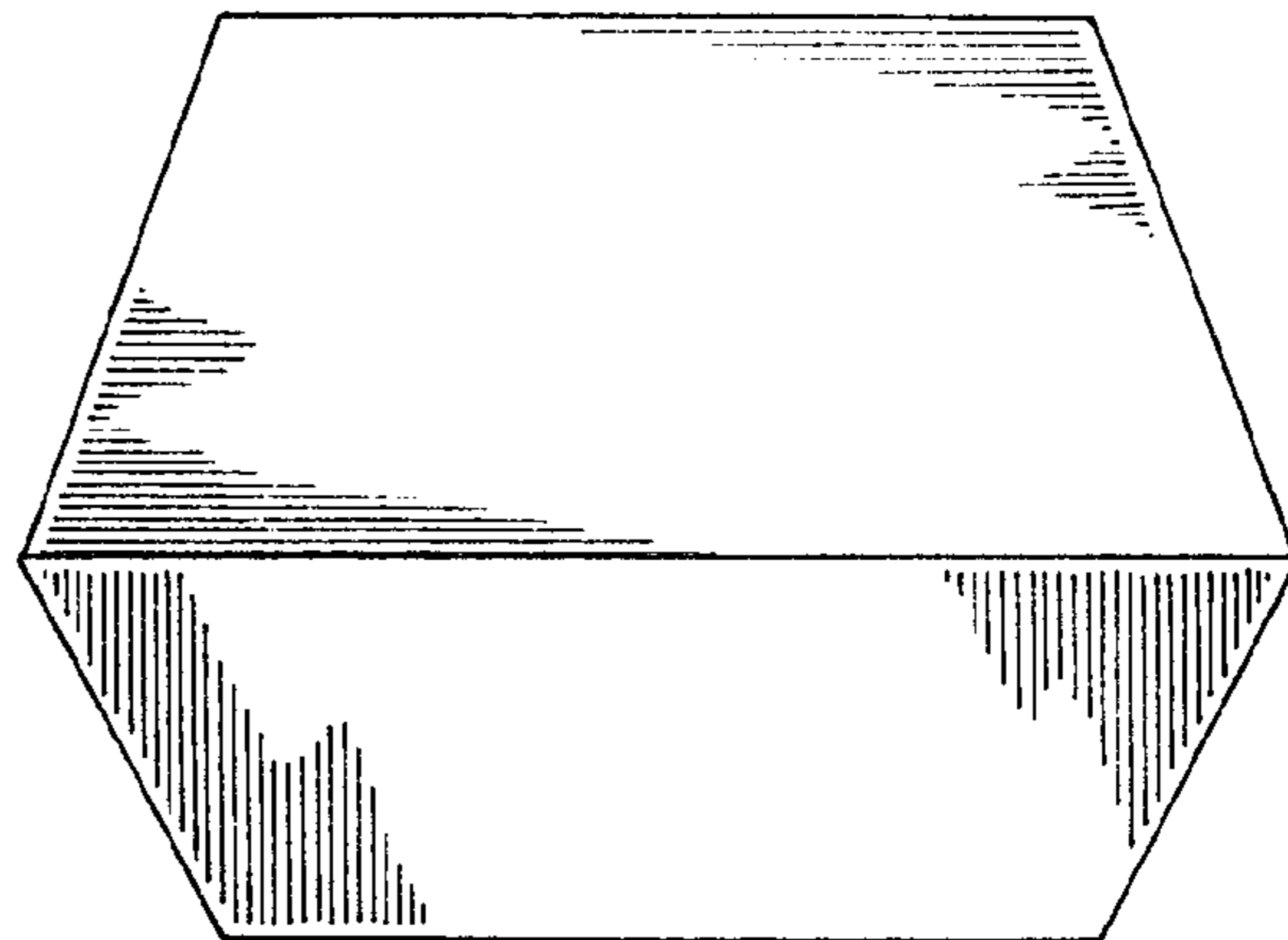


FIG.-3

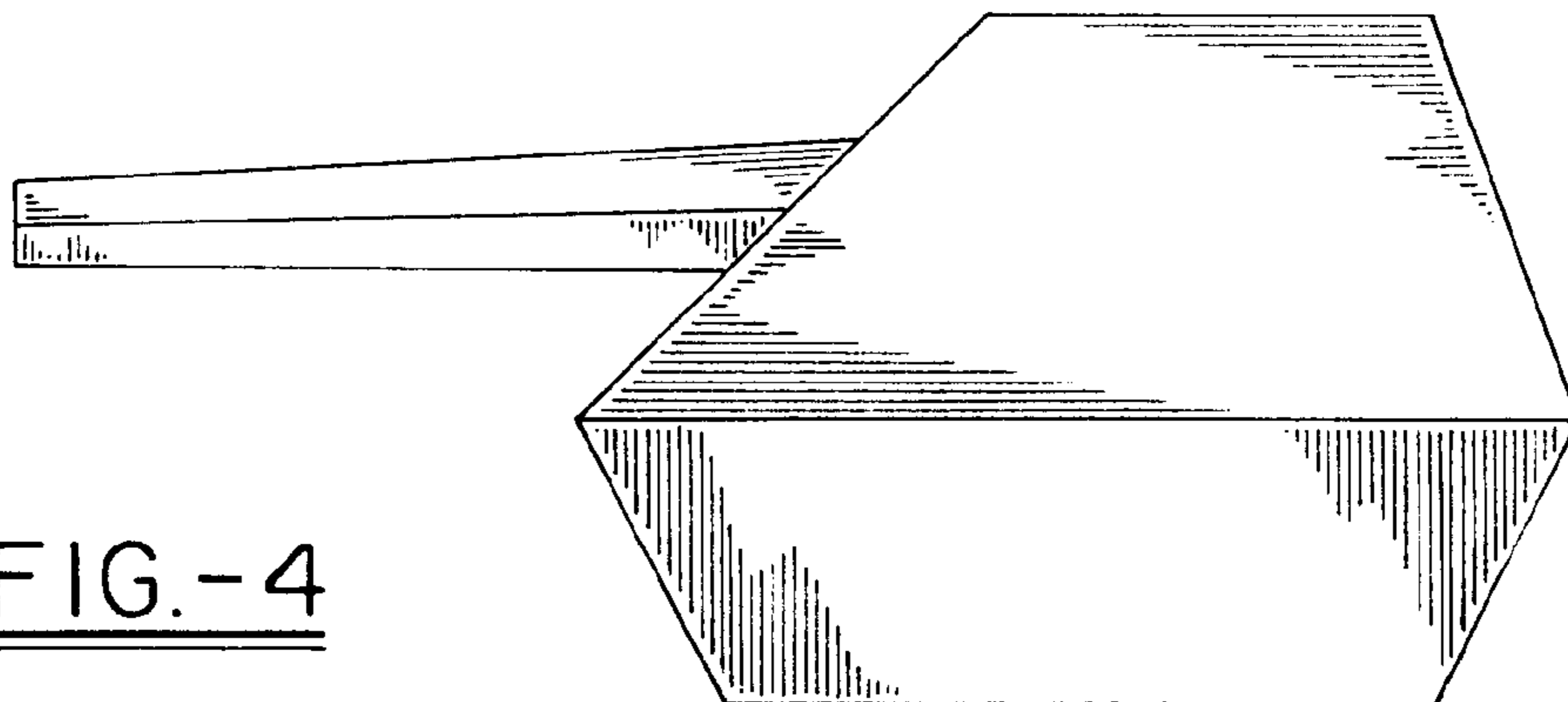


FIG.-4

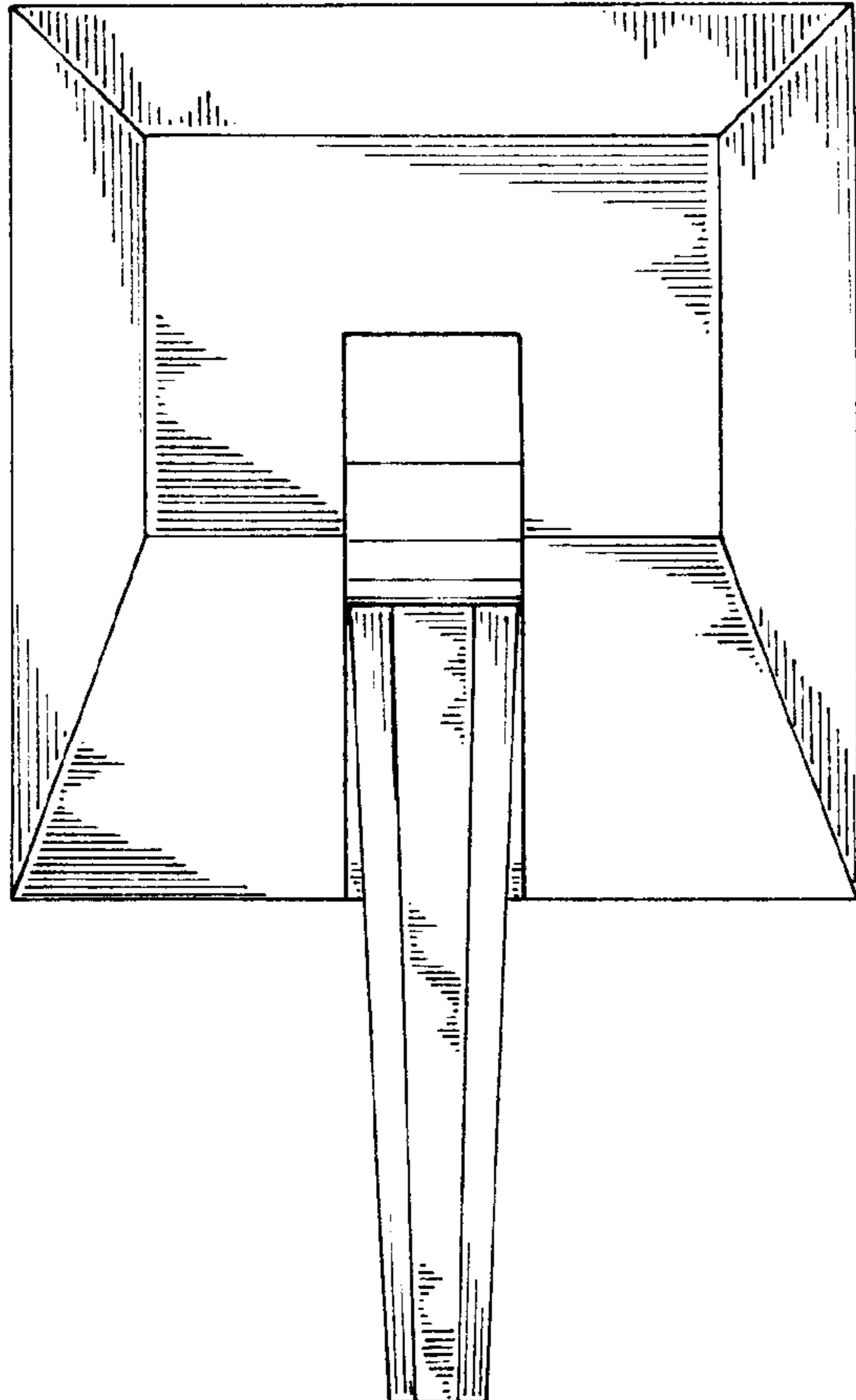


FIG.-5

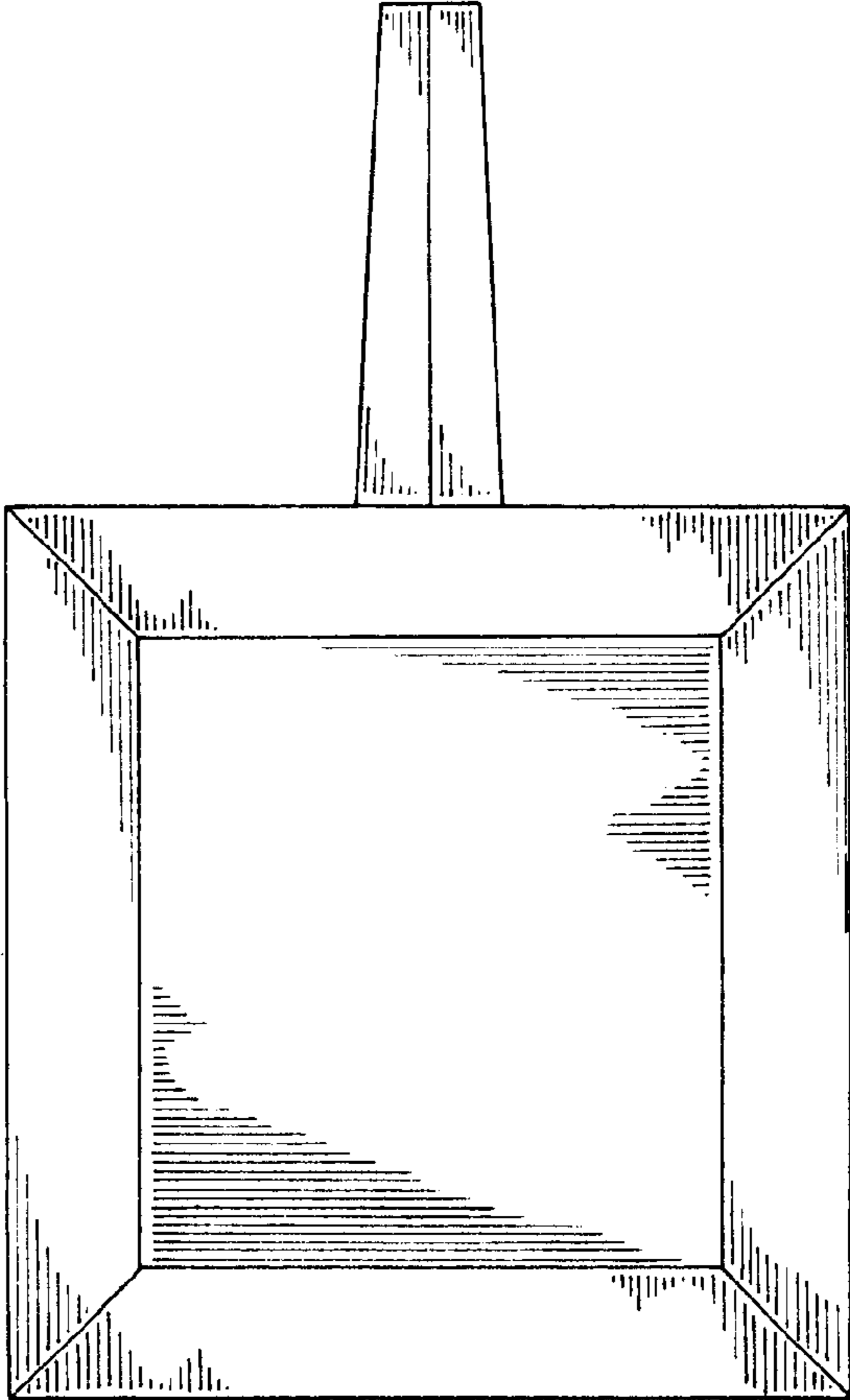


FIG.-6