



US00D536052S

(12) **United States Design Patent**
Han

(10) **Patent No.:** **US D536,052 S**

(45) **Date of Patent:** **** Jan. 30, 2007**

(54) **PLAYHOUSE FOR AN INFANT**

(75) Inventor: **Sang Nam Han**, Busan (KR)

(73) Assignee: **Haenimtoys Co., Ltd.**, Busan (KR)

(**) Term: **14 Years**

(21) Appl. No.: **29/253,700**

(22) Filed: **Feb. 9, 2006**

(51) **LOC (8) Cl.** **21-03**

(52) **U.S. Cl.** **D21/822; D21/826**

(58) **Field of Classification Search** D21/811,
D21/814, 818-827; 472/116-117; 482/35,
482/36

See application file for complete search history.

(56) **References Cited**

U.S. PATENT DOCUMENTS

D367,911 S * 3/1996 van Huystee D21/818
D390,905 S * 2/1998 Eldon et al. D21/814

6,001,020 A * 12/1999 Nagelski et al. 472/116
D441,825 S * 5/2001 Han D21/820
6,383,084 B1 * 5/2002 McEachen et al. 472/116

* cited by examiner

Primary Examiner—Mitchell Siegel

(74) *Attorney, Agent, or Firm*—Jordan and Hamburg LLP

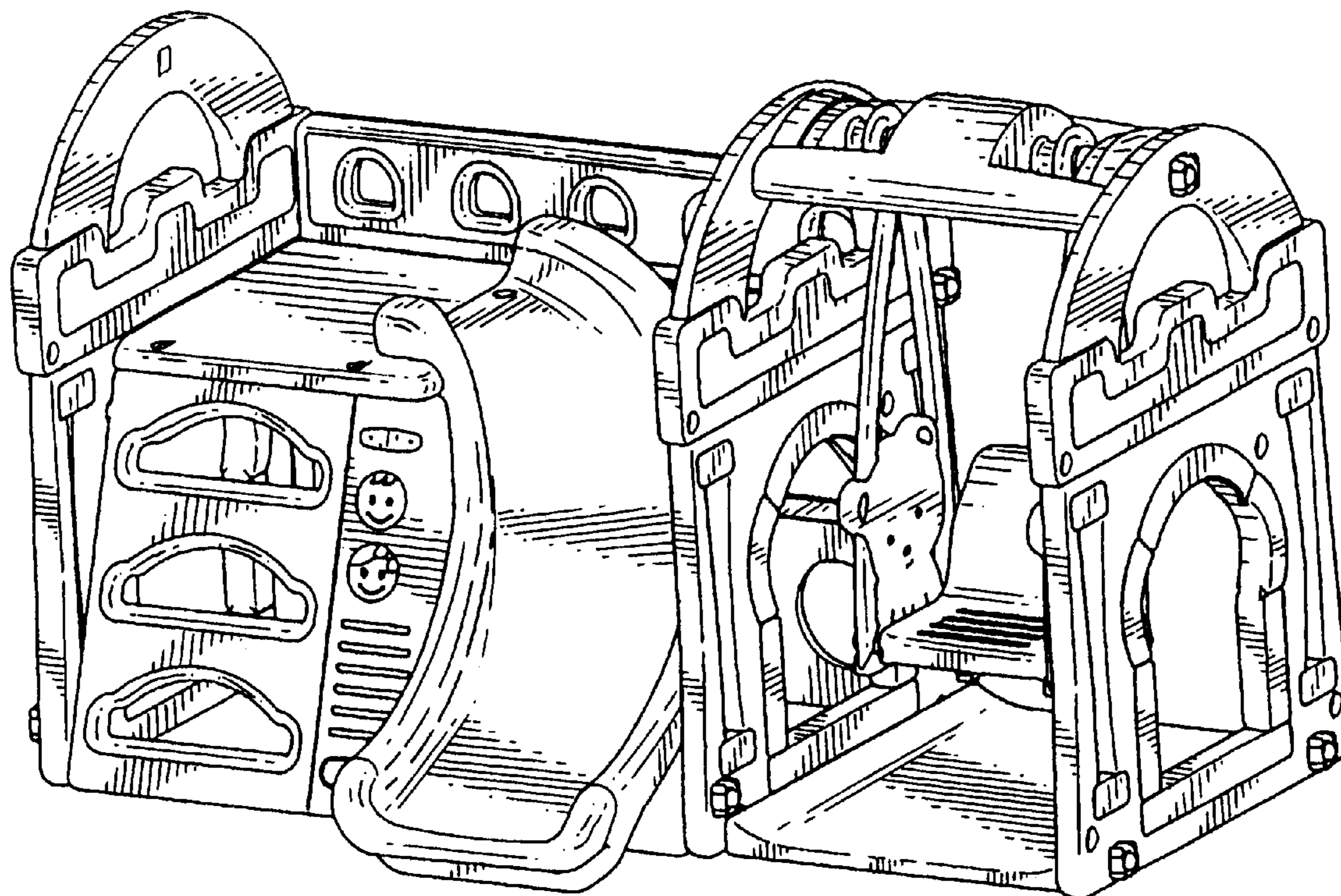
(57) **CLAIM**

The ornamental design for a playhouse for an infant, as shown and described.

DESCRIPTION

FIG. 1 is a front perspective view of a playhouse for an infant showing my new design;
FIG. 2 is a front elevational view thereof;
FIG. 3 is a rear elevational view thereof;
FIG. 4 is a left side elevational view thereof;
FIG. 5 is a right side elevational view thereof;
FIG. 6 is a top plan view thereof; and,
FIG. 7 is a bottom plan view thereof.

1 Claim, 4 Drawing Sheets



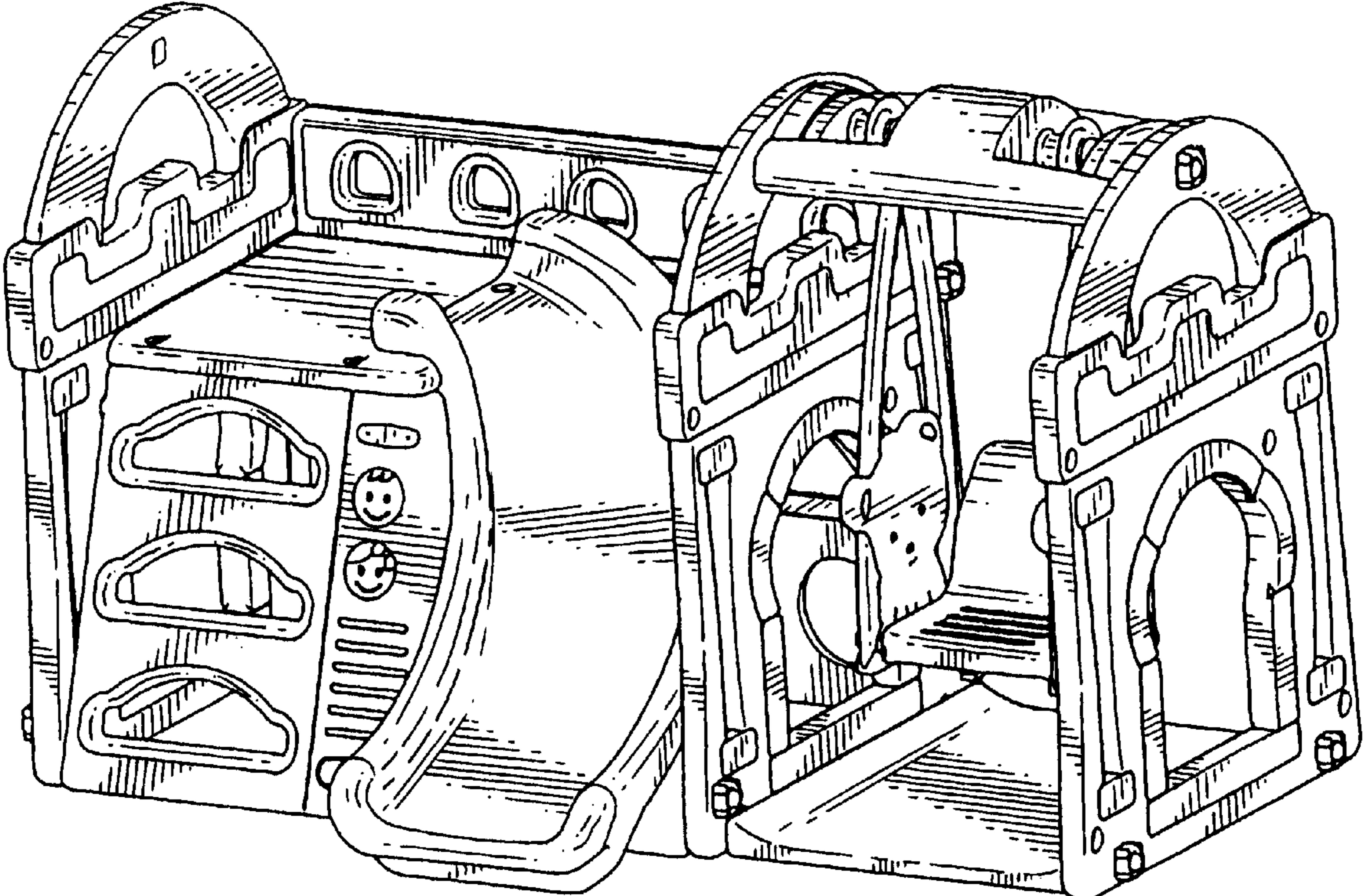


FIG. 1

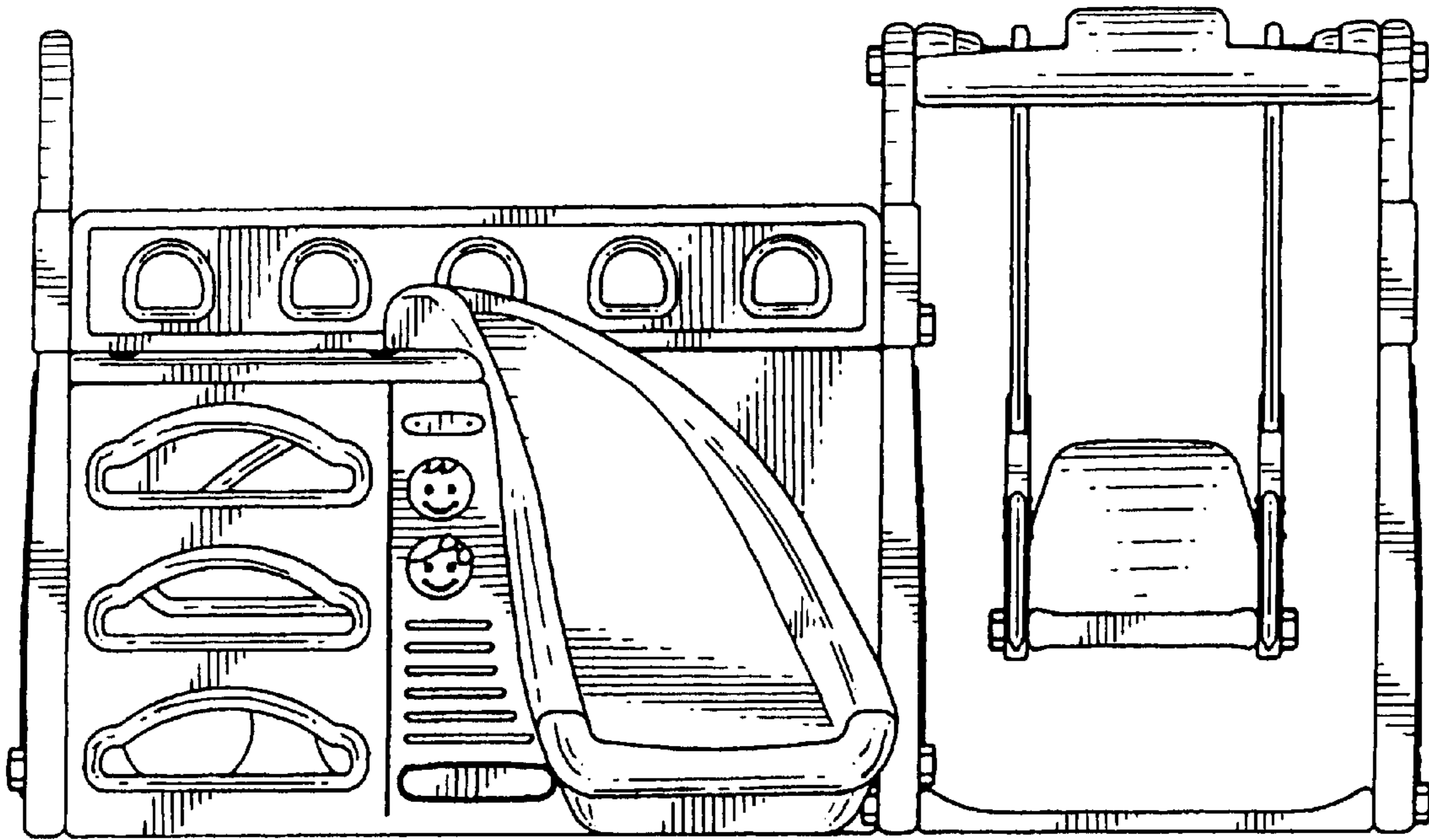


FIG. 2

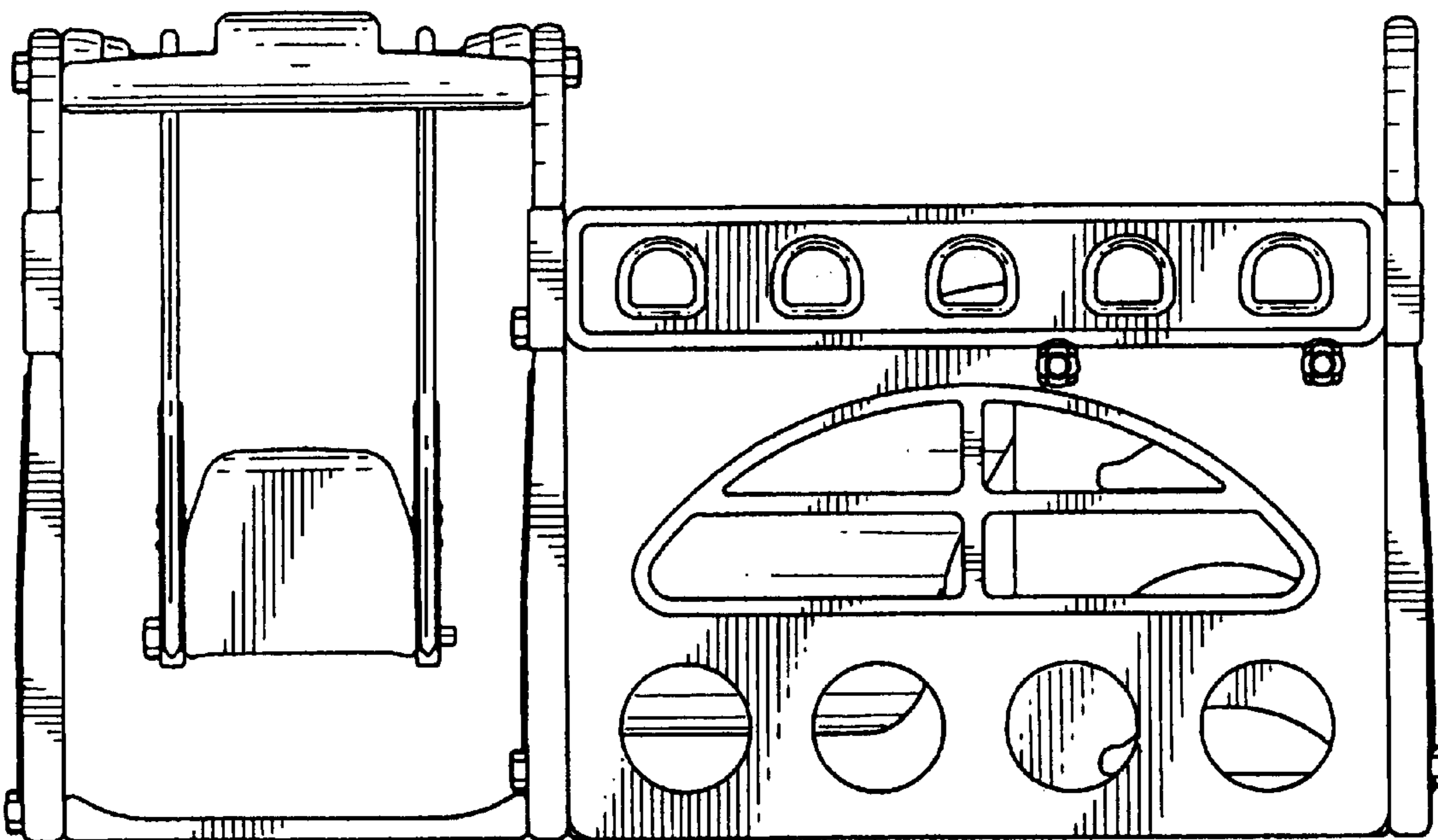


FIG. 3

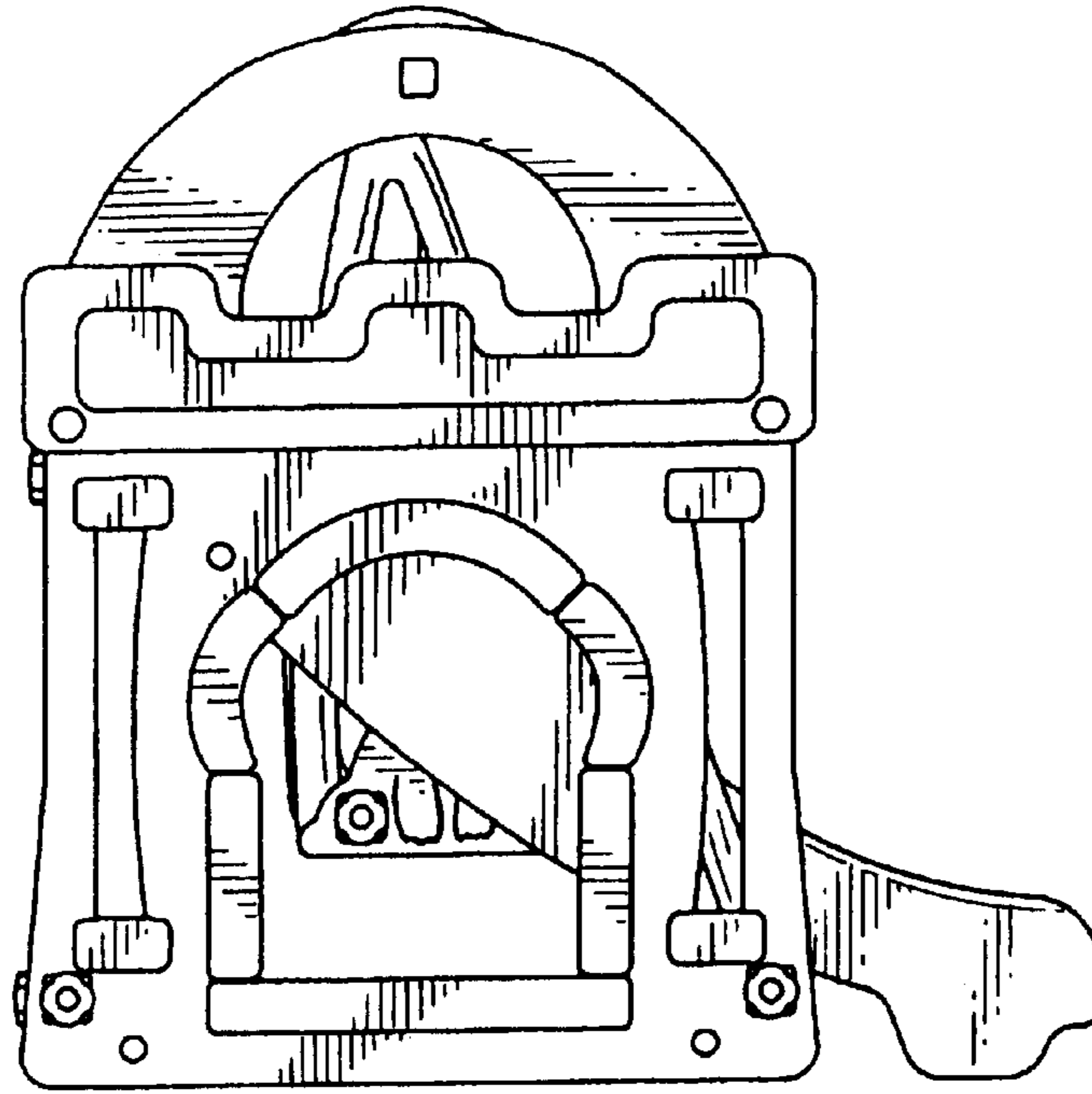


FIG. 4

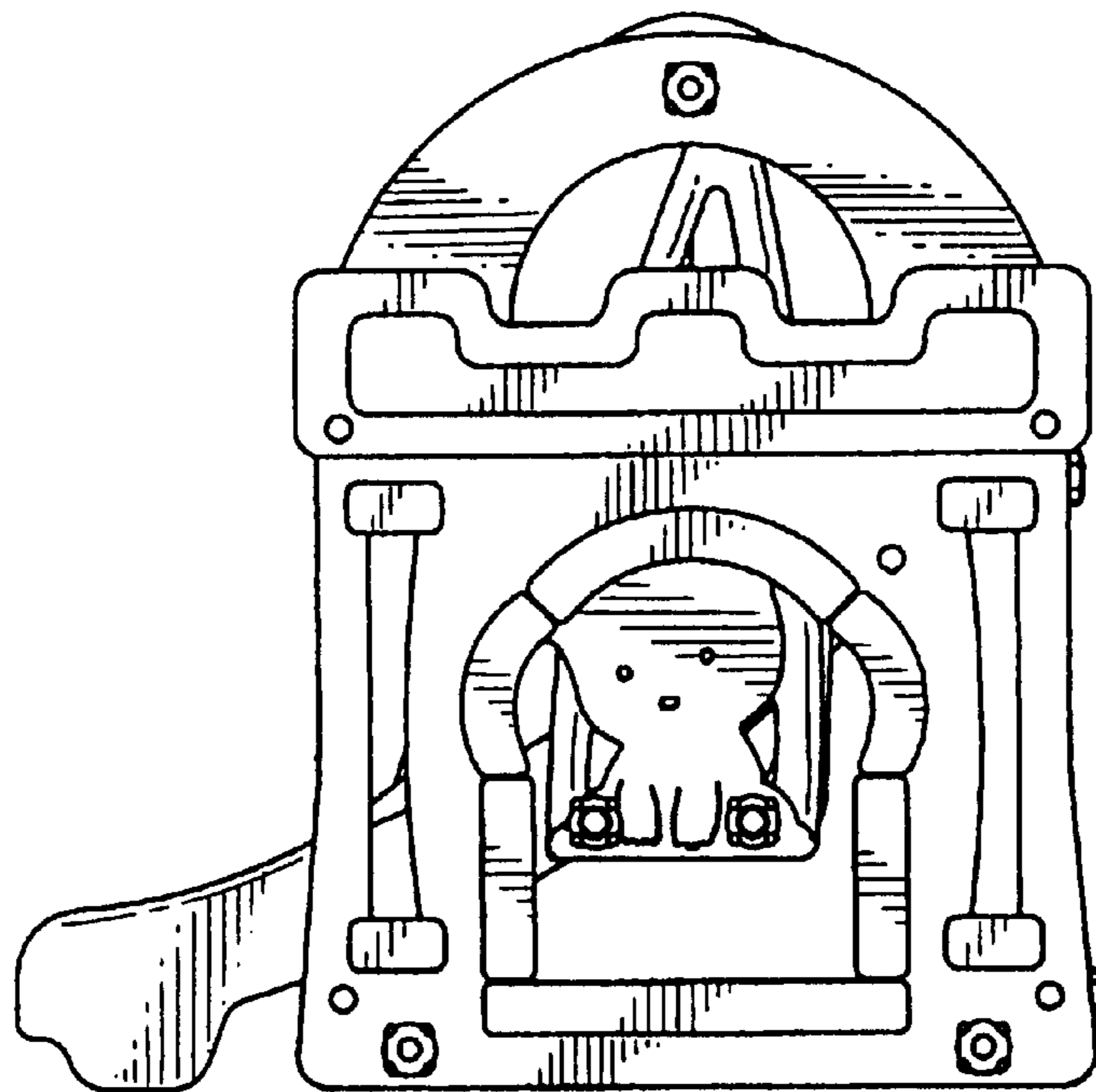


FIG. 5

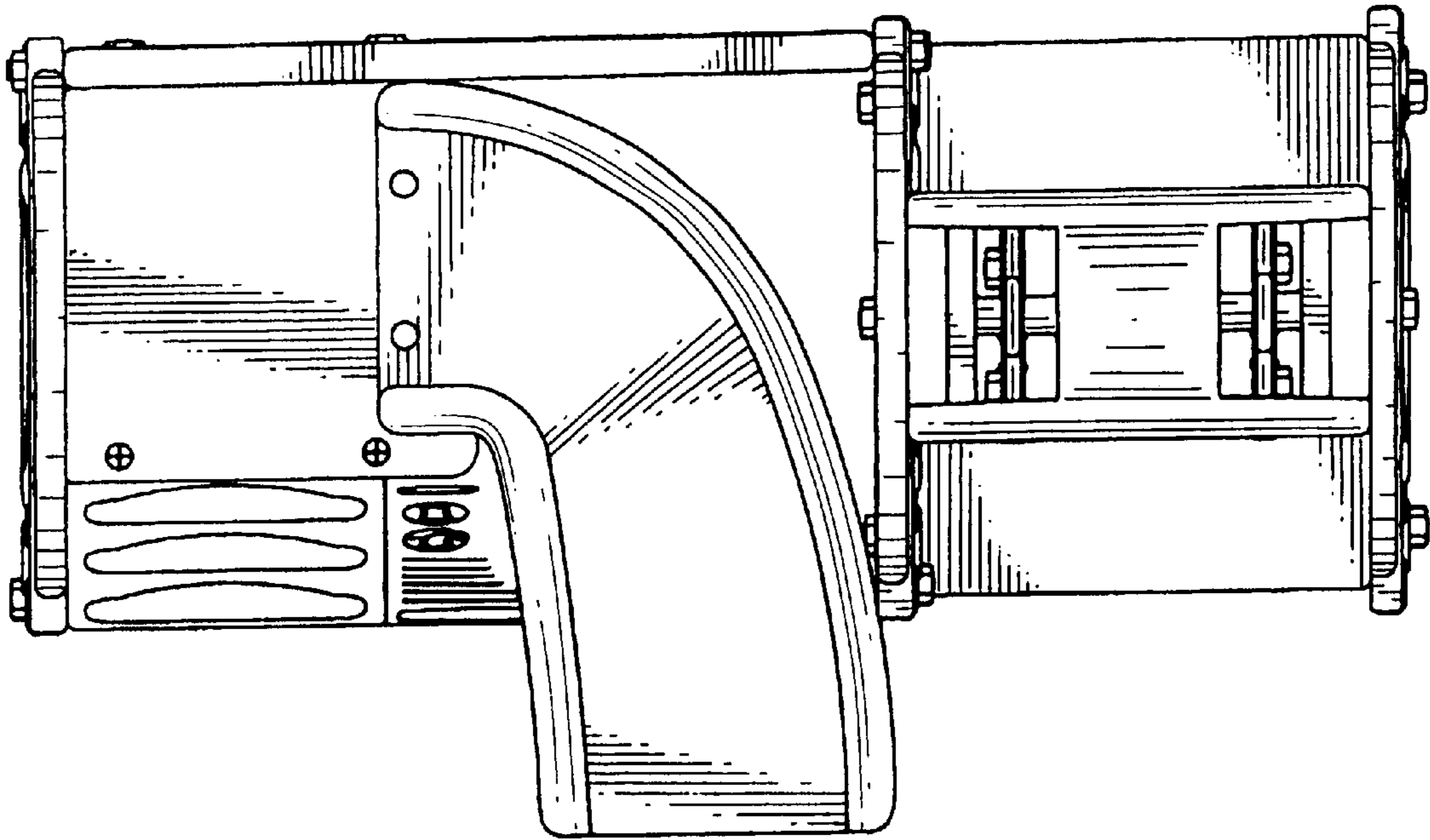


FIG. 6

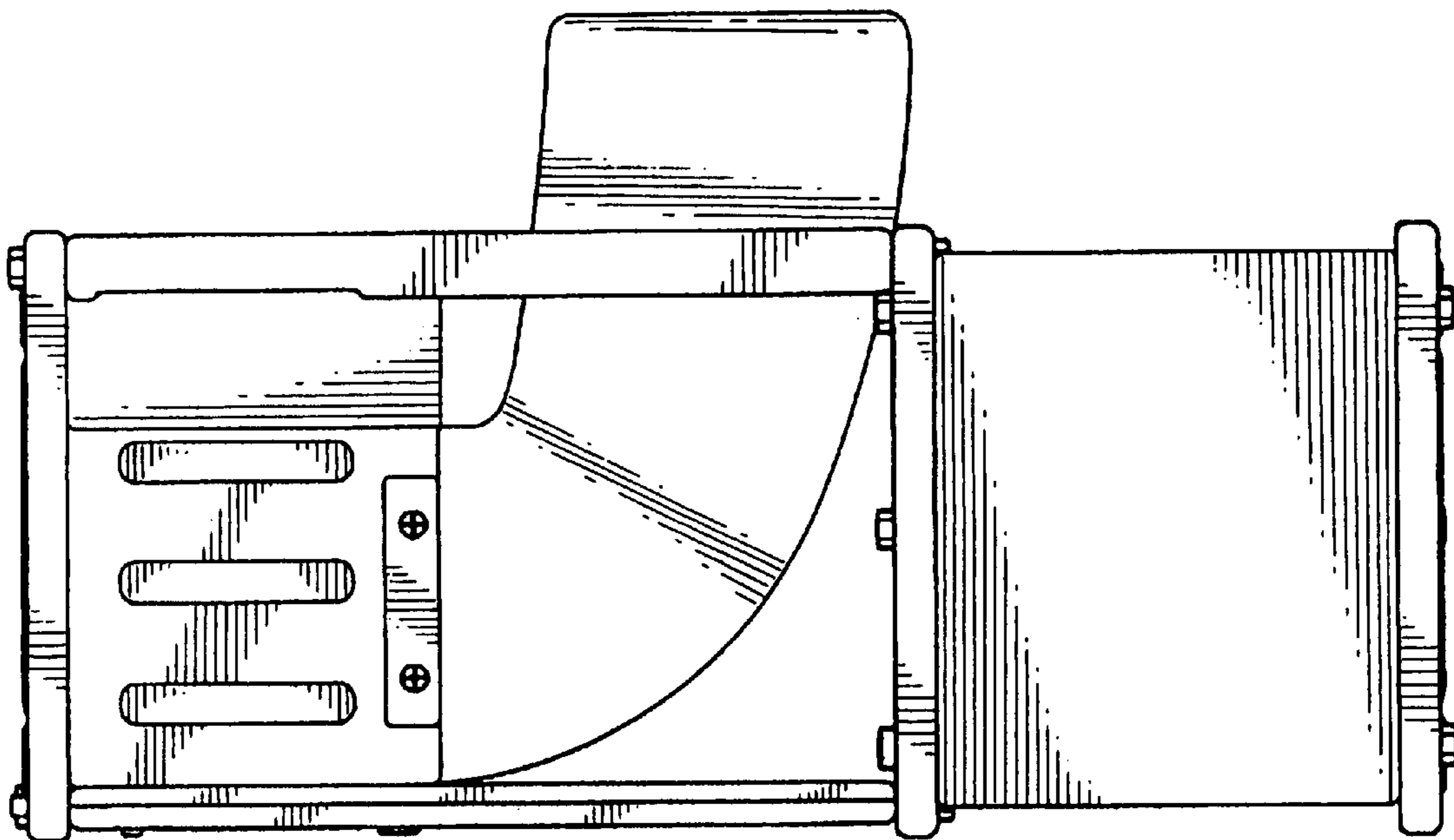


FIG. 7