



US00D536046S

(12) **United States Design Patent** (10) **Patent No.:** **US D536,046 S**
Bingham, Jr. et al. (45) **Date of Patent:** **** Jan. 30, 2007**

(54) **CONSOLE FOR EXERCISE MACHINES**
(75) Inventors: **Robert J. Bingham, Jr.**, Everett, WA (US); **Mark A. Zeh**, Munich (DE); **Christopher Loew**, Palo Alto, CA (US)
(73) Assignee: **LeMond Fitness, Inc.**, Woodinville, WA (US)
(**) Term: **14 Years**
(21) Appl. No.: **29/254,489**
(22) Filed: **Feb. 24, 2006**

Related U.S. Application Data

(60) Division of application No. 29/221,808, filed on Jan. 19, 2005, now Pat. No. Des. 526,370, which is a continuation-in-part of application No. 29/217,448, filed on Nov. 16, 2004.
(51) **LOC (8) Cl.** **21-02**
(52) **U.S. Cl.** **D21/696**
(58) **Field of Classification Search** D21/662, D21/665, 667, 668, 669, 670, 694, 696, 329; 482/51, 57, 54, 4
See application file for complete search history.

References Cited

U.S. PATENT DOCUMENTS

D407,771 S	*	4/1999	Garza	D21/694
D412,192 S	*	7/1999	Birrell et al.	D21/696
D416,298 S	*	11/1999	Onuma et al.	D21/669
D429,509 S	*	8/2000	Garza	D21/696
D438,579 S	*	3/2001	Arnold et al.	D21/696
D444,828 S	*	7/2001	Matsumoto	D21/696
D445,152 S	*	7/2001	Wang et al.	D21/669
D454,931 S	*	3/2002	Fon	D21/696
D459,421 S	*	6/2002	Lee	D21/696
D485,589 S	*	1/2004	Briganti	D21/696
6,764,669 B2	*	7/2004	Isaka et al.	482/54

* cited by examiner

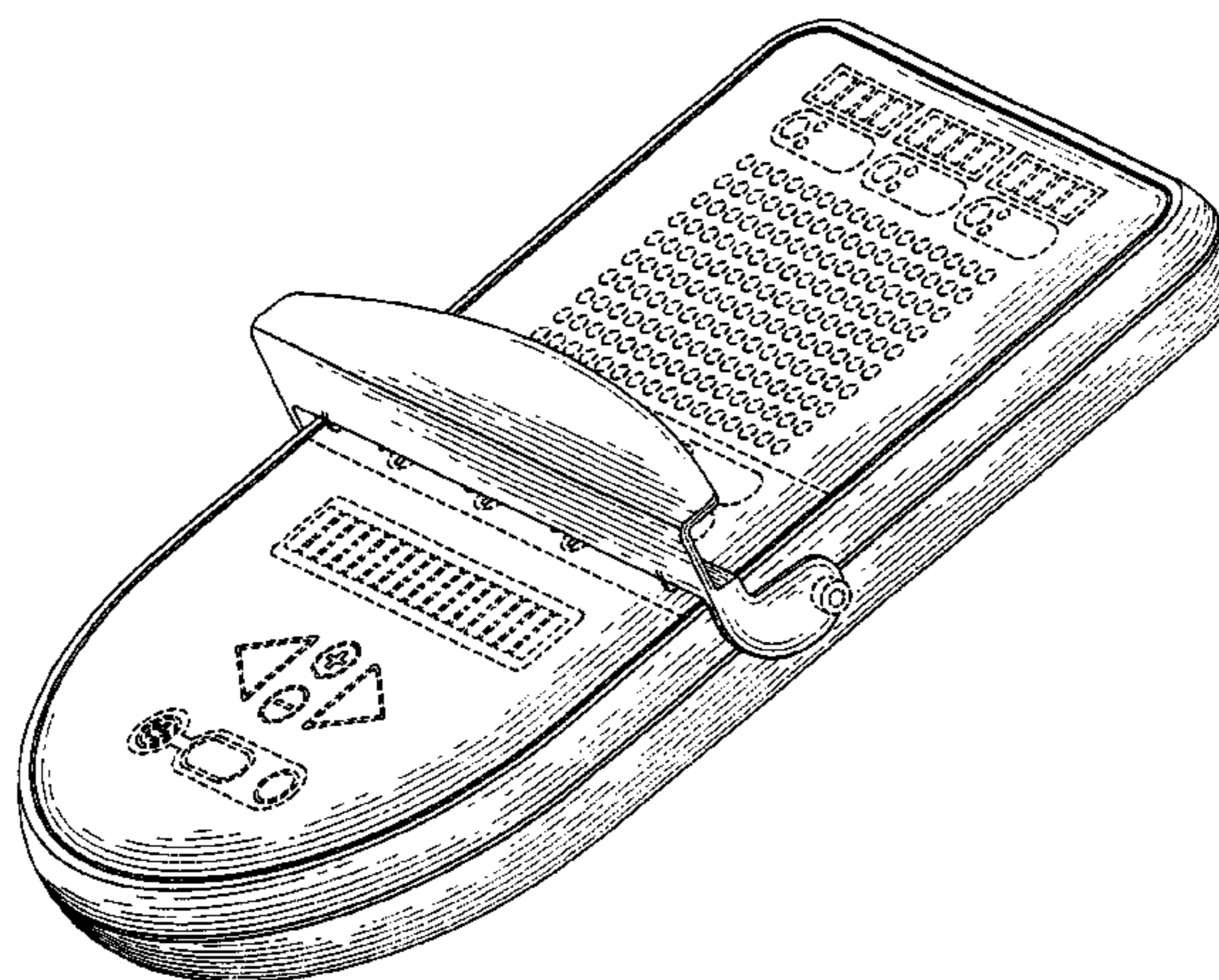
Primary Examiner—Philip S. Hyder
(74) *Attorney, Agent, or Firm*—George C. Rondeau, Jr.; Davis Wright Tremaine LLP

(57) **CLAIM**
The ornamental design for a console for exercise machines, as shown and described.

DESCRIPTION

FIG. 1 is a top perspective view of a console for exercise machine showing our new design.
FIG. 2 is a top plan view thereof.
FIG. 3 is a bottom plan view thereof.
FIG. 4 is a front elevational view thereof.
FIG. 5 is a rear elevational view thereof.
FIG. 6 is a right side elevational view thereof.
FIG. 7 is a left side elevational view thereof.
FIG. 8 is a top perspective view of a second embodiment thereof.
FIG. 9 is a top plan view thereof.
FIG. 10 is a bottom plan view thereof.
FIG. 11 is a front elevational view thereof.
FIG. 12 is a rear elevational view thereof.
FIG. 13 is a right side elevational view thereof.
FIG. 14 is a left side elevational view thereof.
FIG. 15 is a top perspective view of a third embodiment thereof.
FIG. 16 is a top plan view thereof.
FIG. 17 is a bottom plan view thereof.
FIG. 18 is a front elevational view thereof.
FIG. 19 is a rear elevational view thereof.
FIG. 20 is a right side elevational view thereof.
FIG. 21 is a left side elevational view thereof.
FIG. 22 is a top perspective view of a fourth embodiment thereof.
FIG. 23 is a top plan view thereof.
FIG. 24 is a bottom plan view thereof.
FIG. 25 is a front elevational view thereof.
FIG. 26 is a rear elevational view thereof.
FIG. 27 is a right side elevational view thereof; and, FIG. 28 is a left side elevational view thereof.
The broken lines are for illustrative purposes only and form no part of the claimed design.

1 Claim, 20 Drawing Sheets



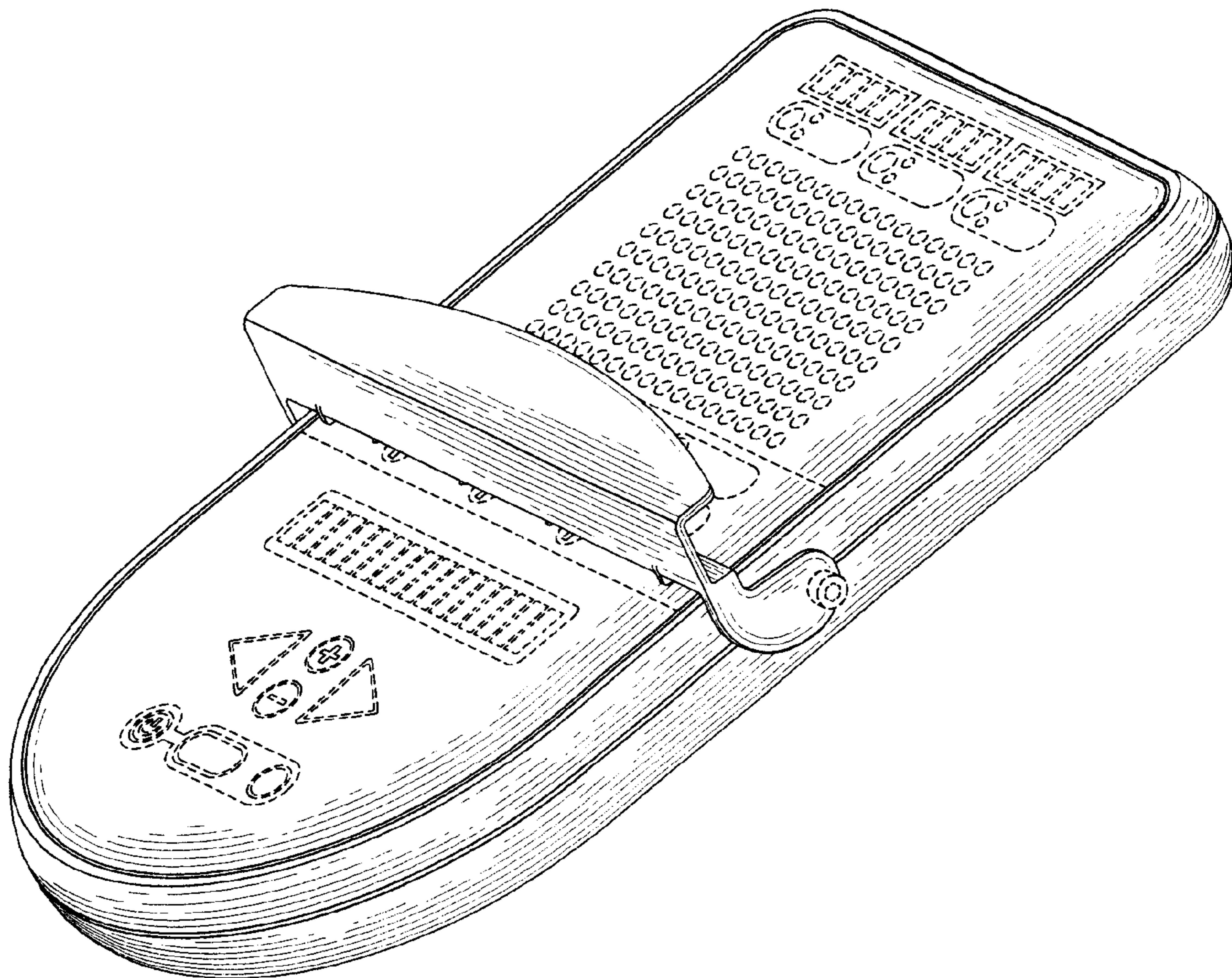


Fig. 1

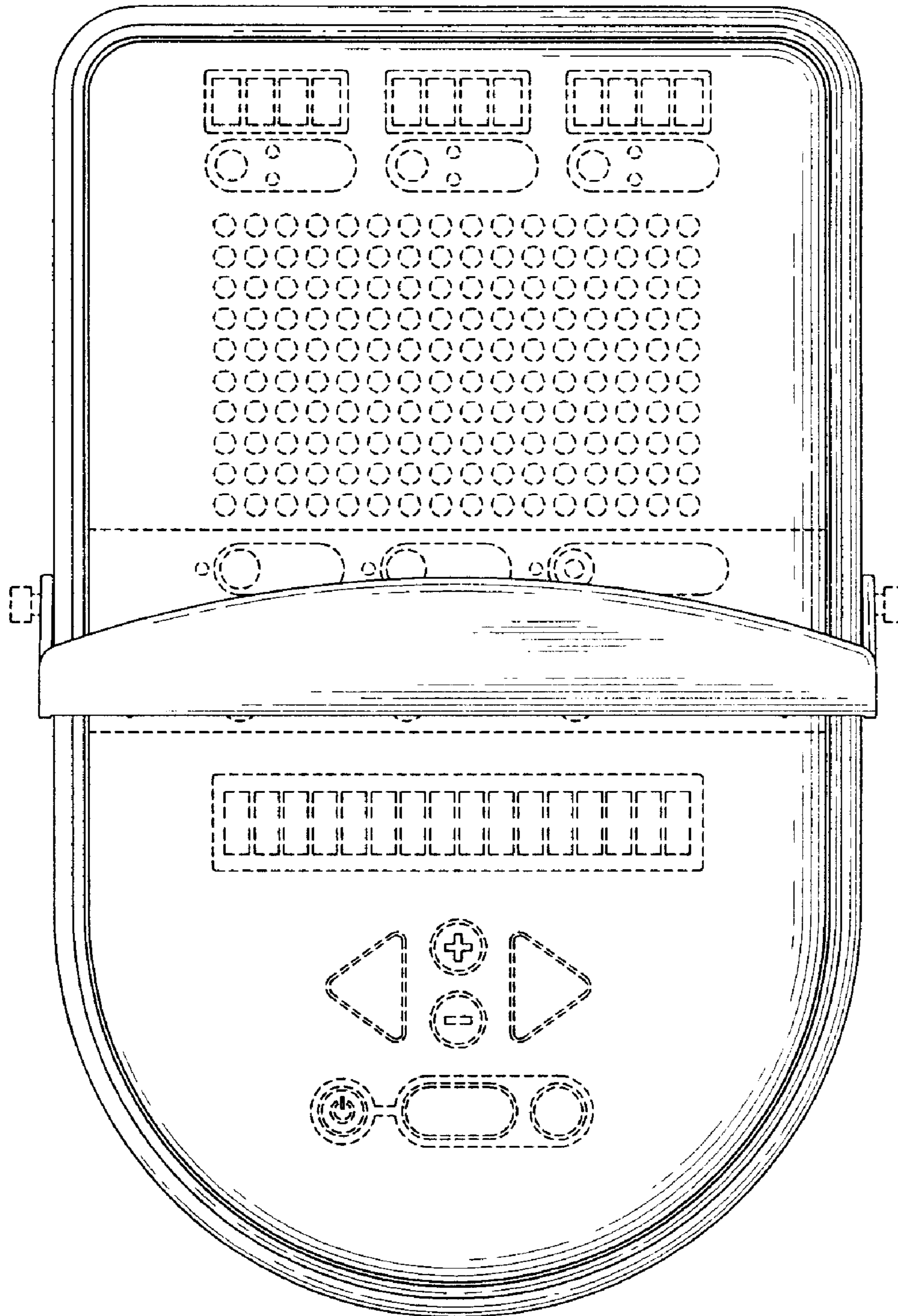


Fig. 2

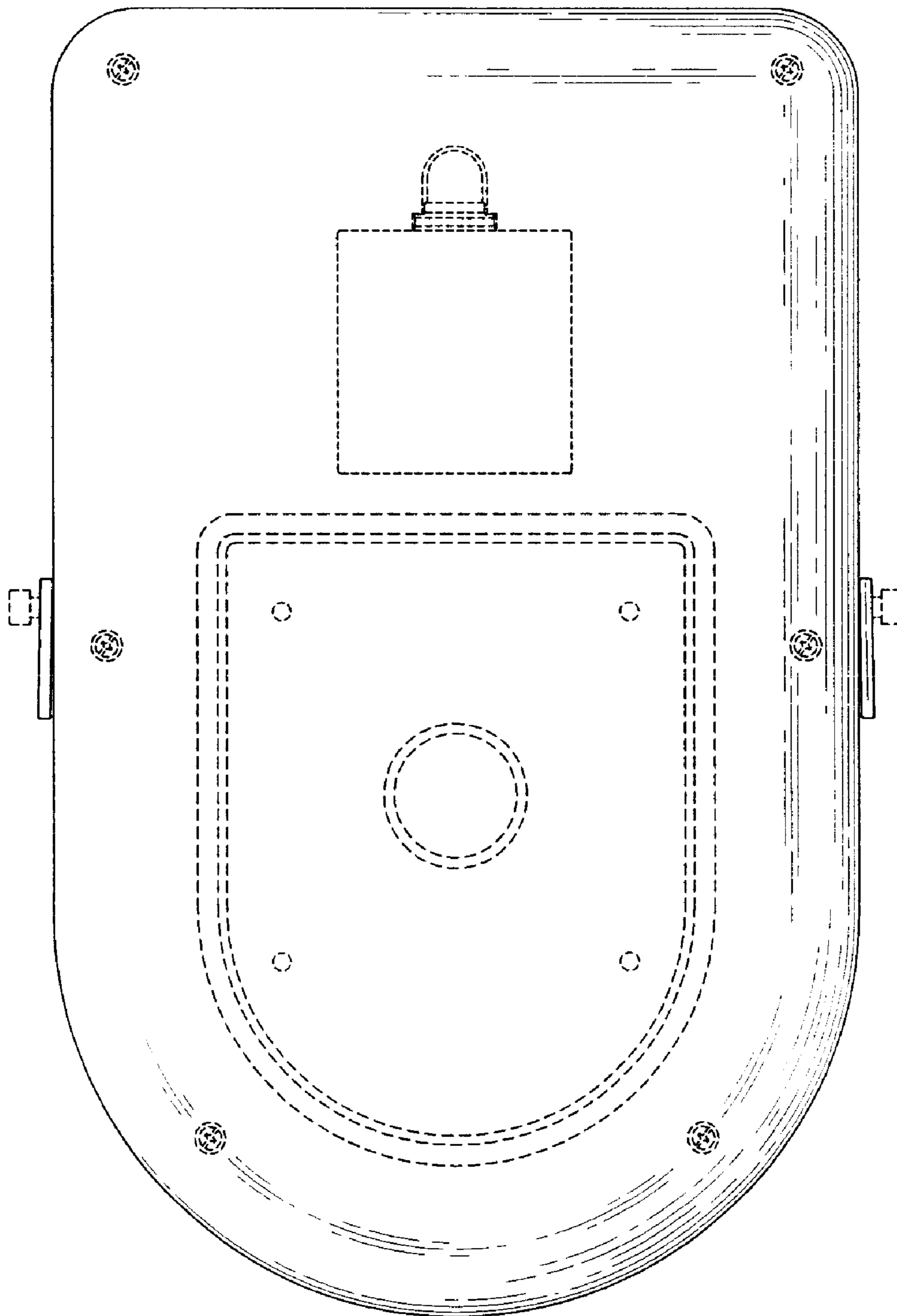


Fig. 3

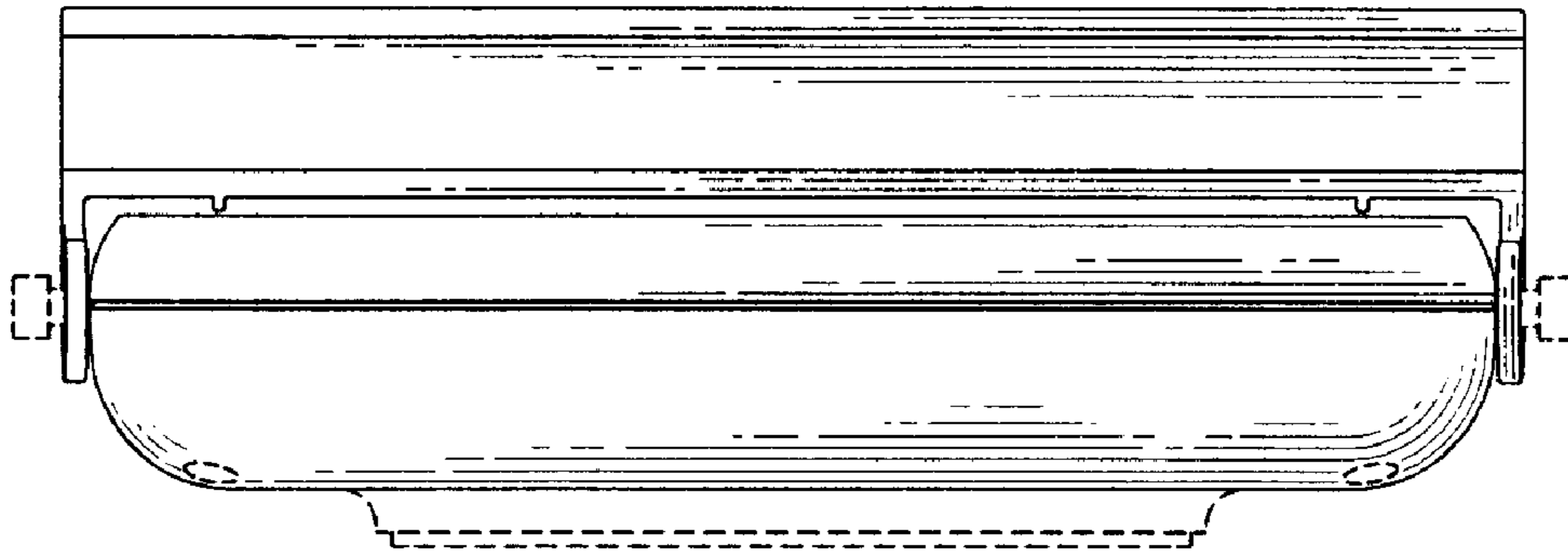


Fig. 4

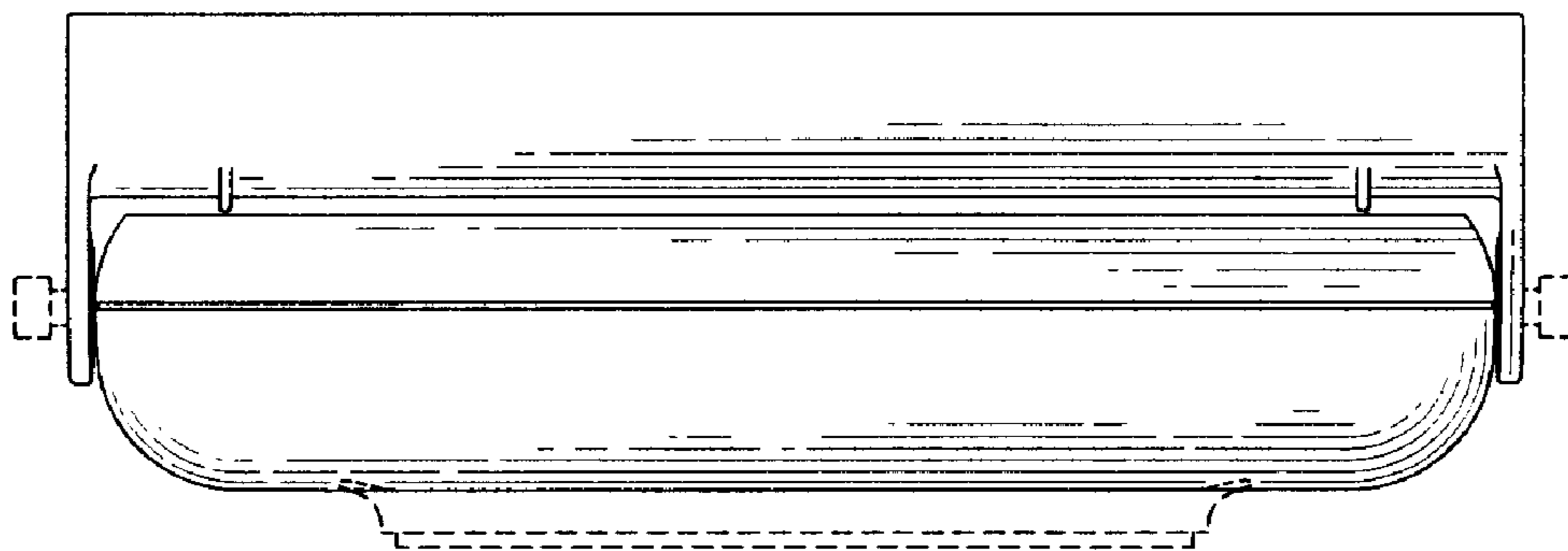


Fig. 5

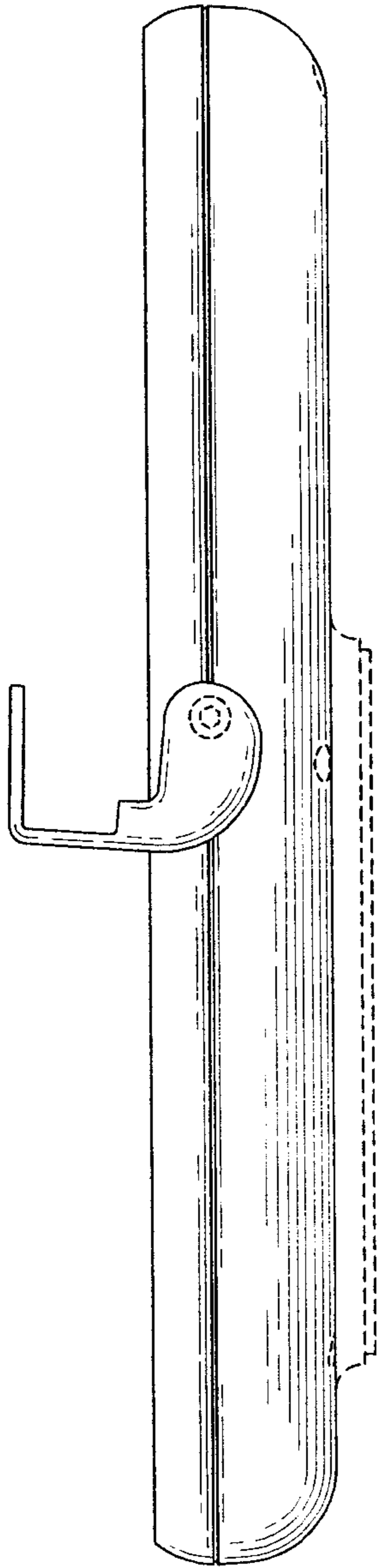


Fig. 6

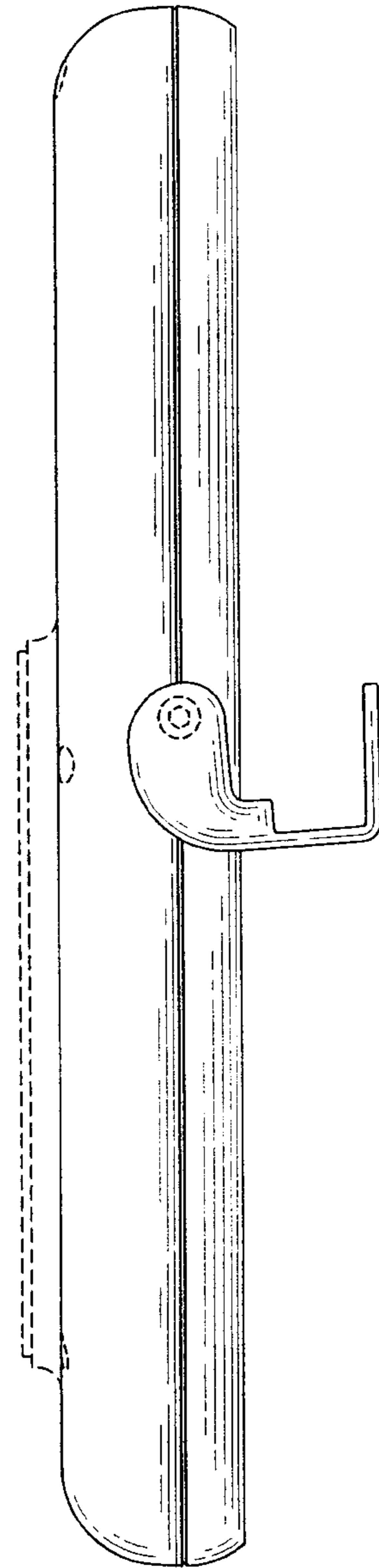


Fig. 7

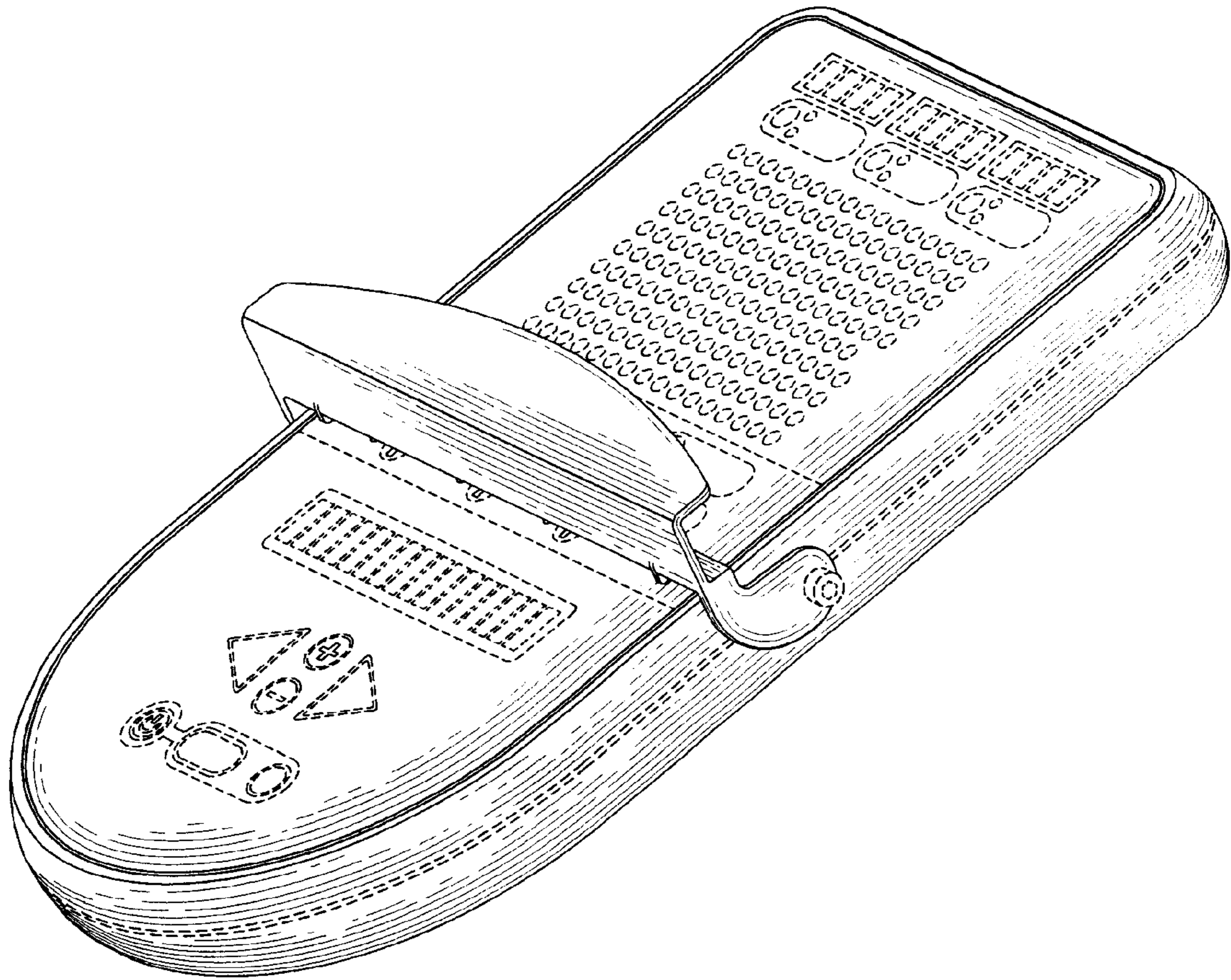


Fig. 8

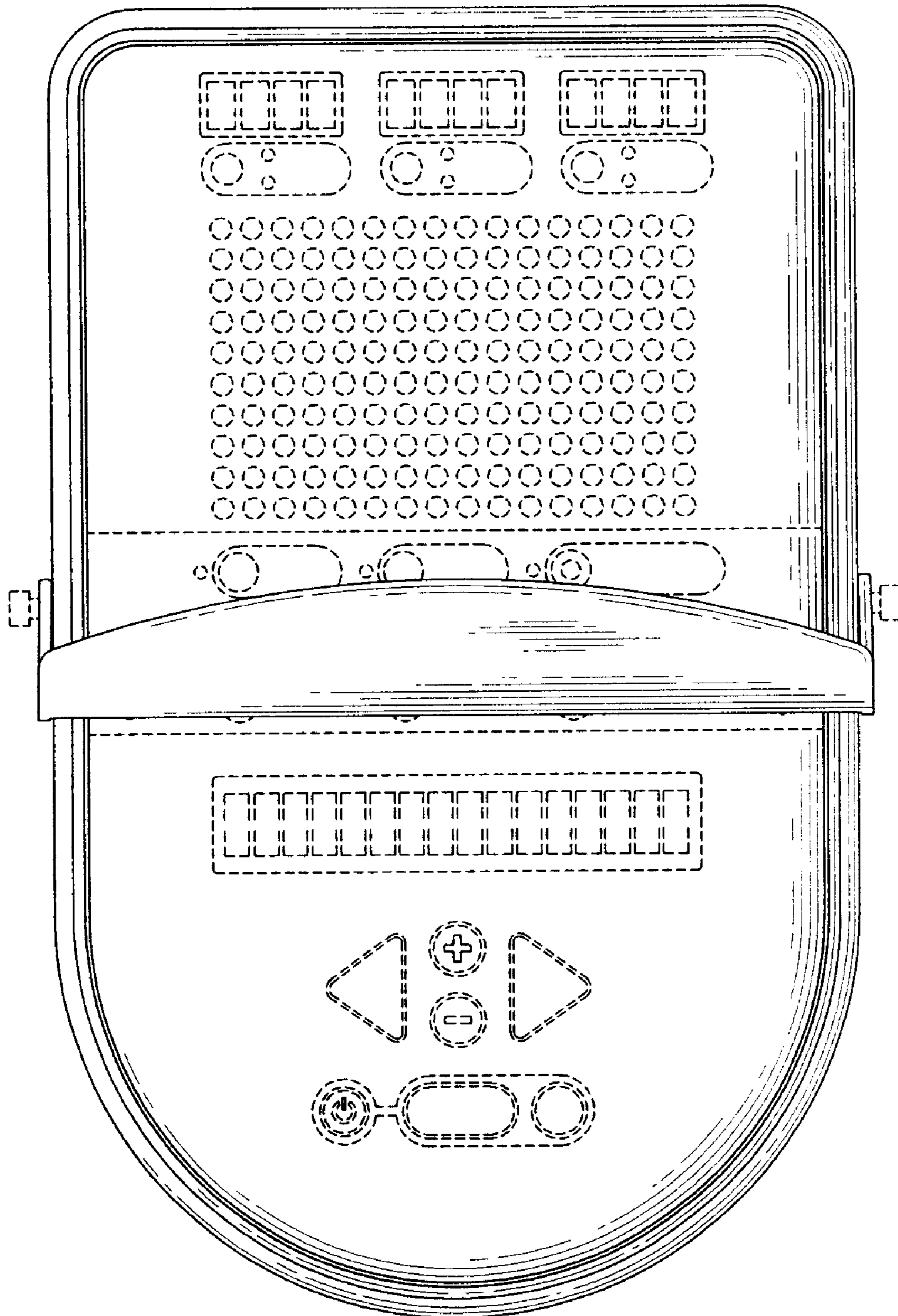


Fig. 9

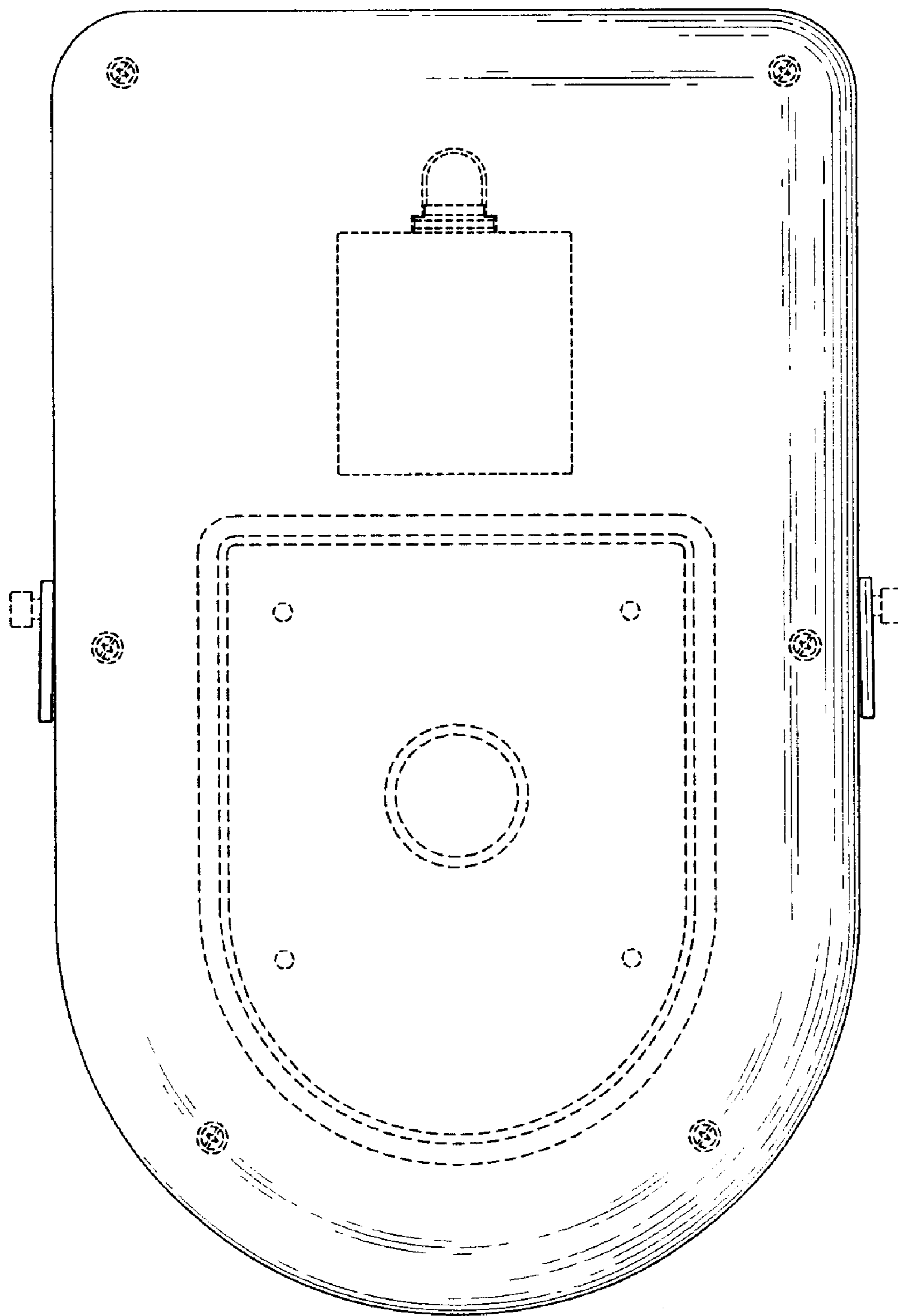


Fig. 10

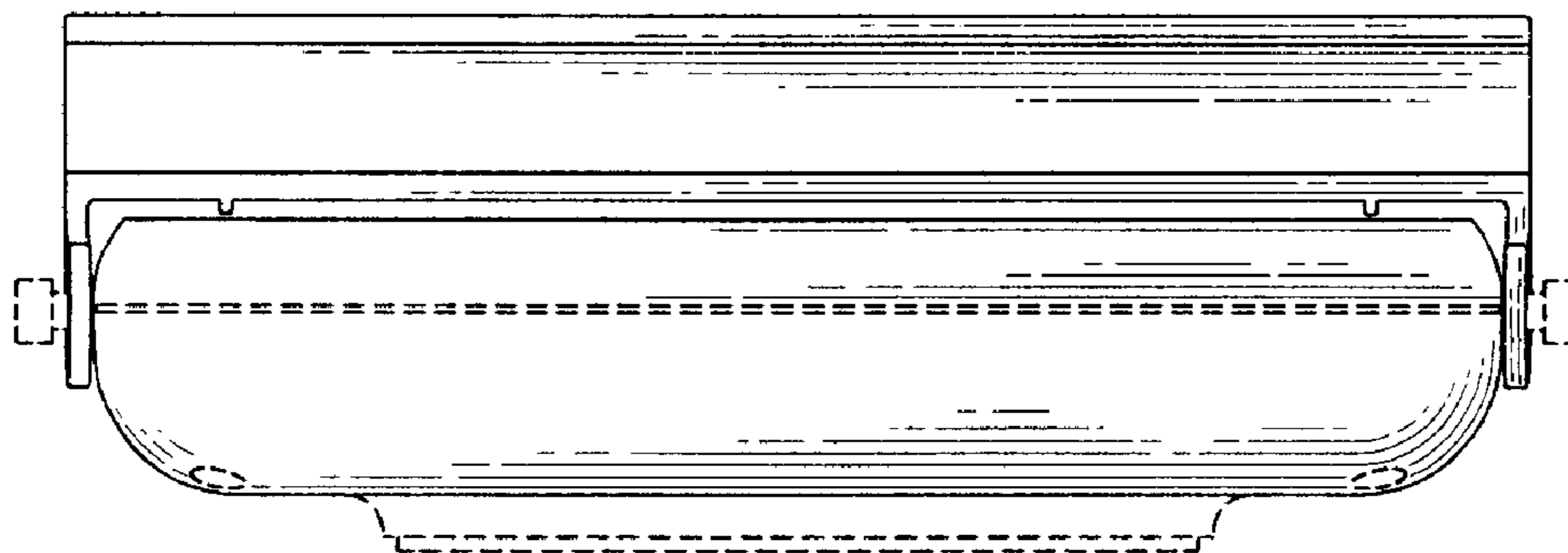


Fig. 11

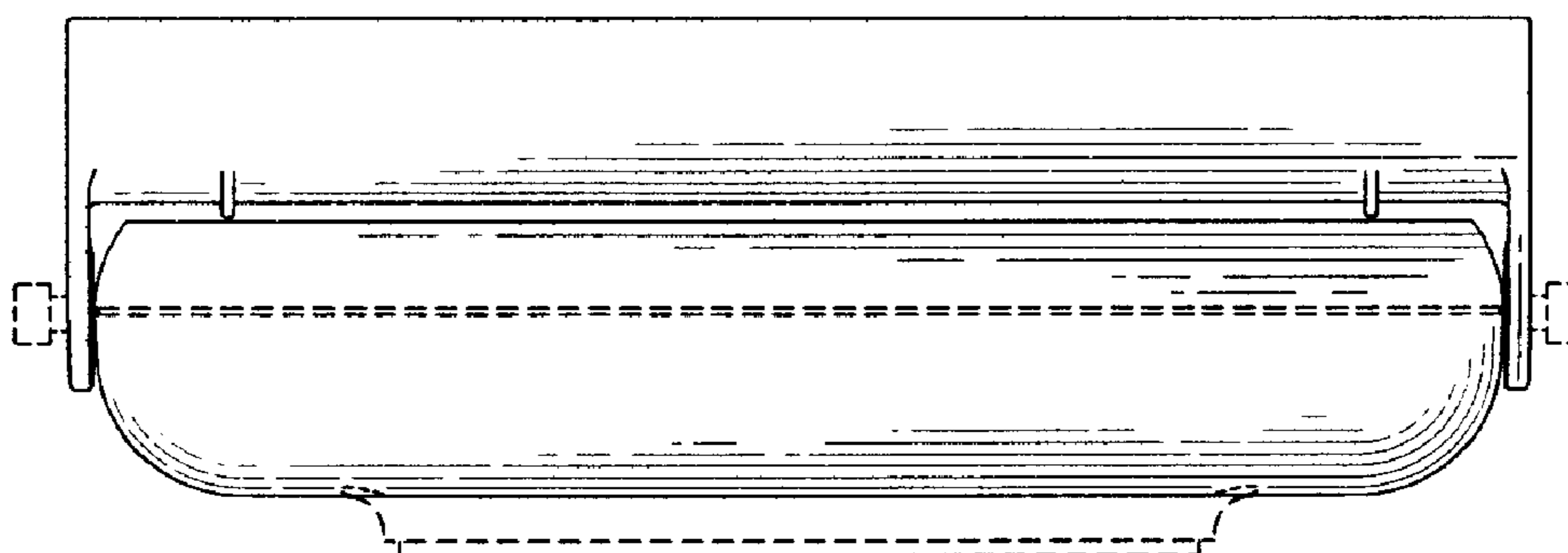


Fig. 12

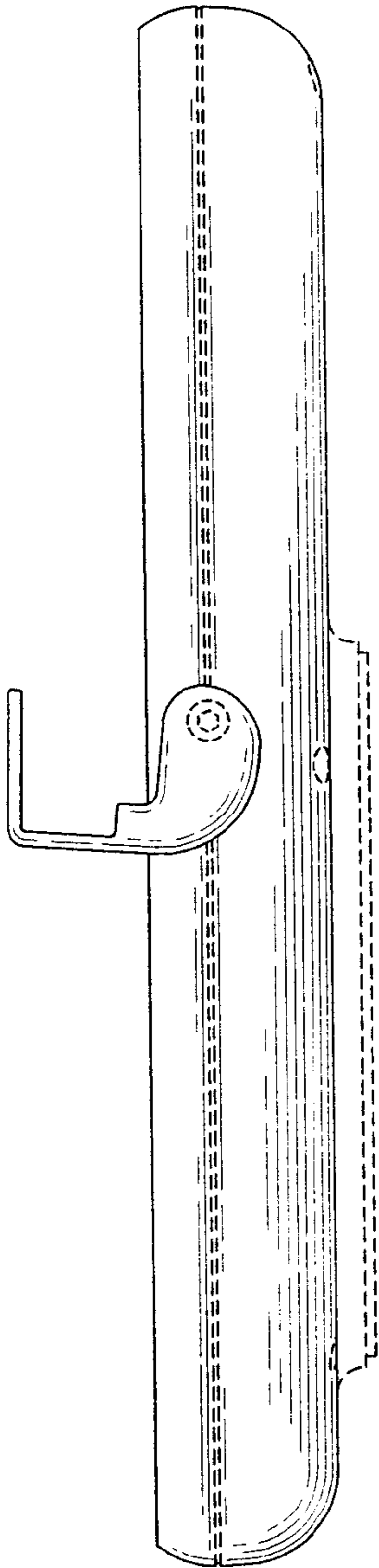


Fig. 13

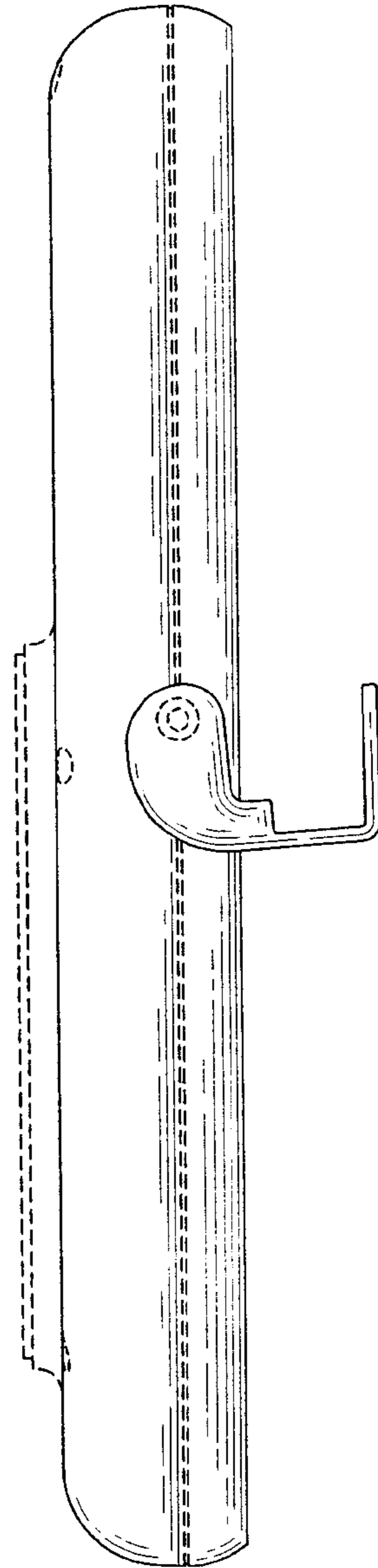


Fig. 14

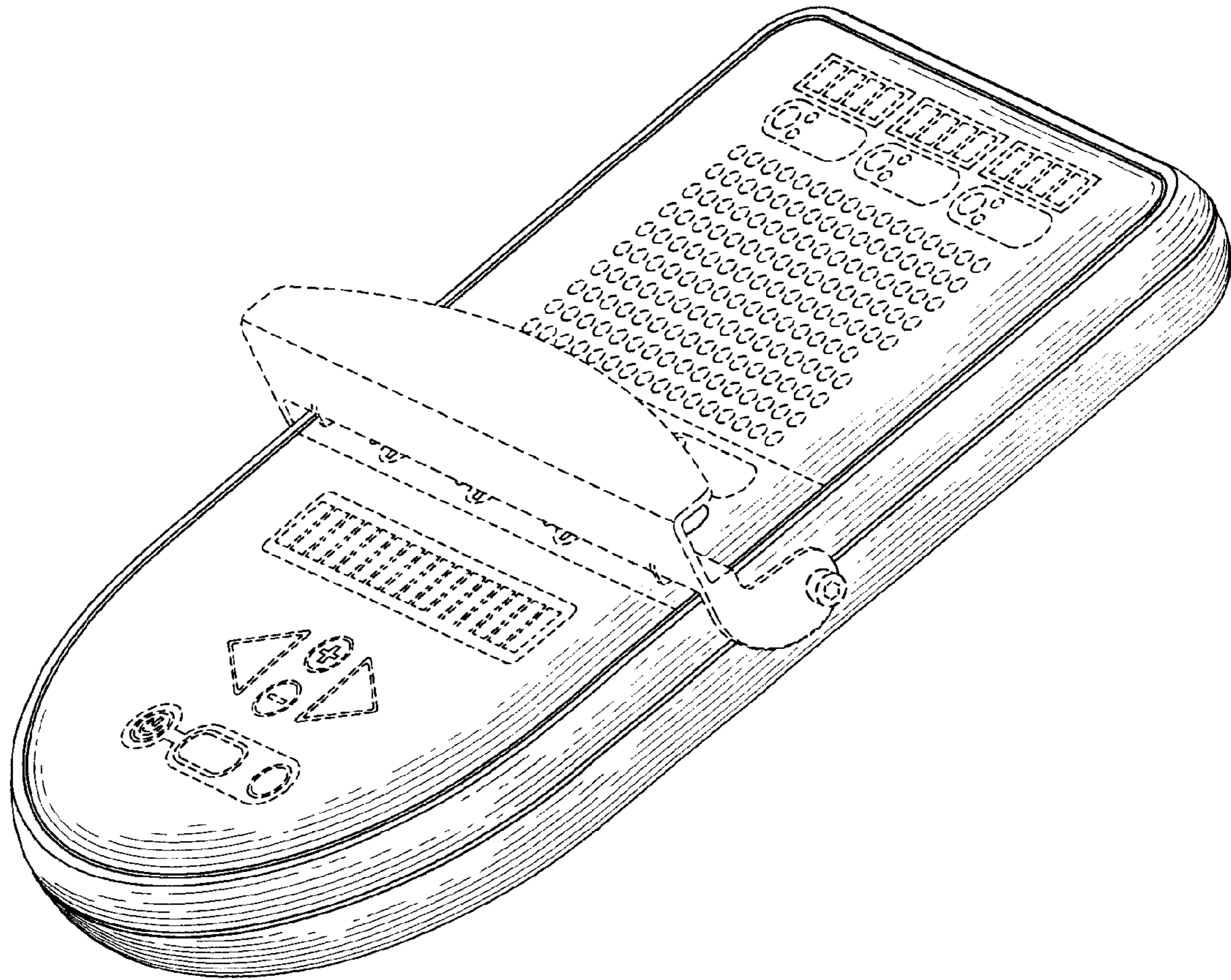


Fig. 15

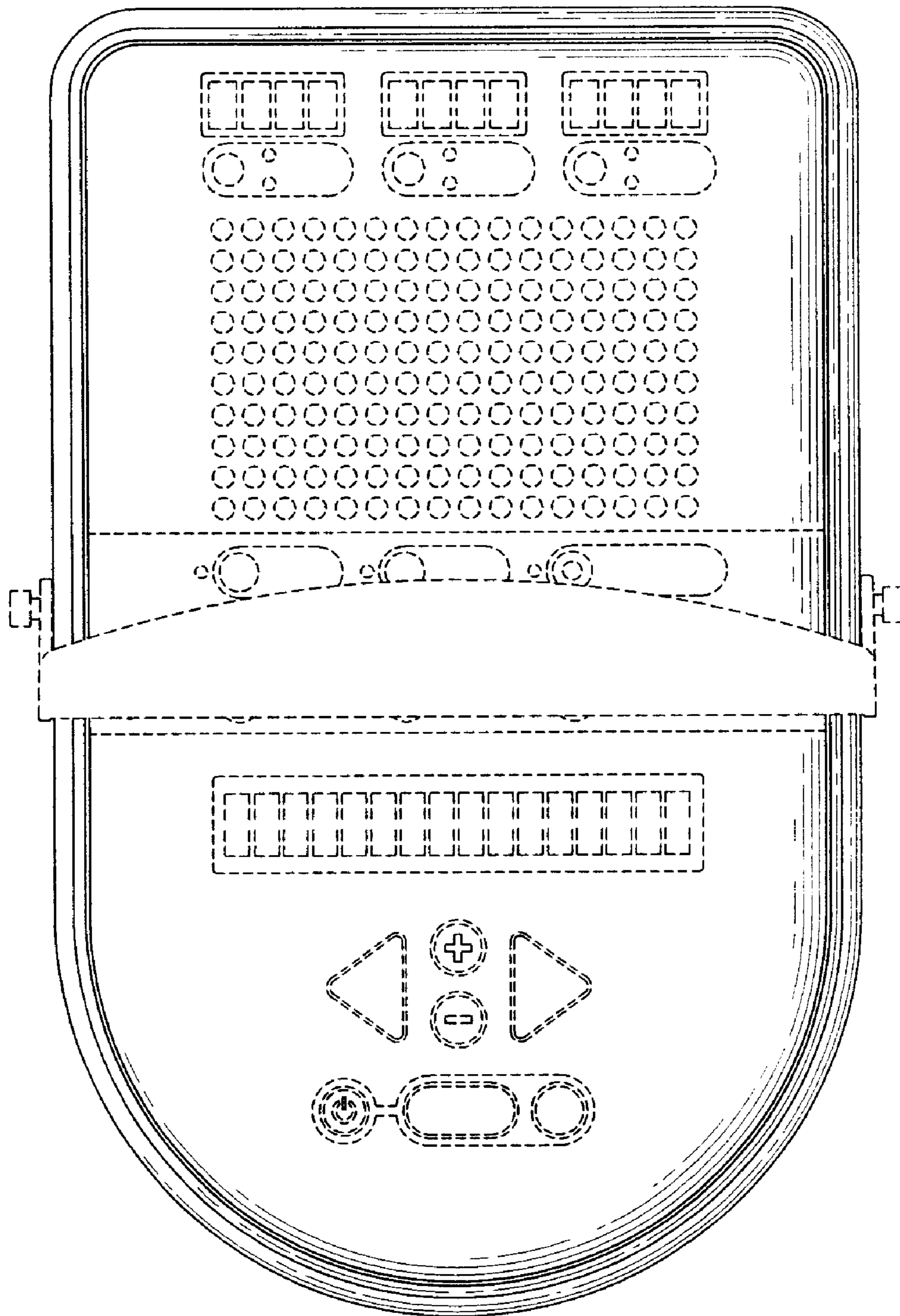


Fig. 16

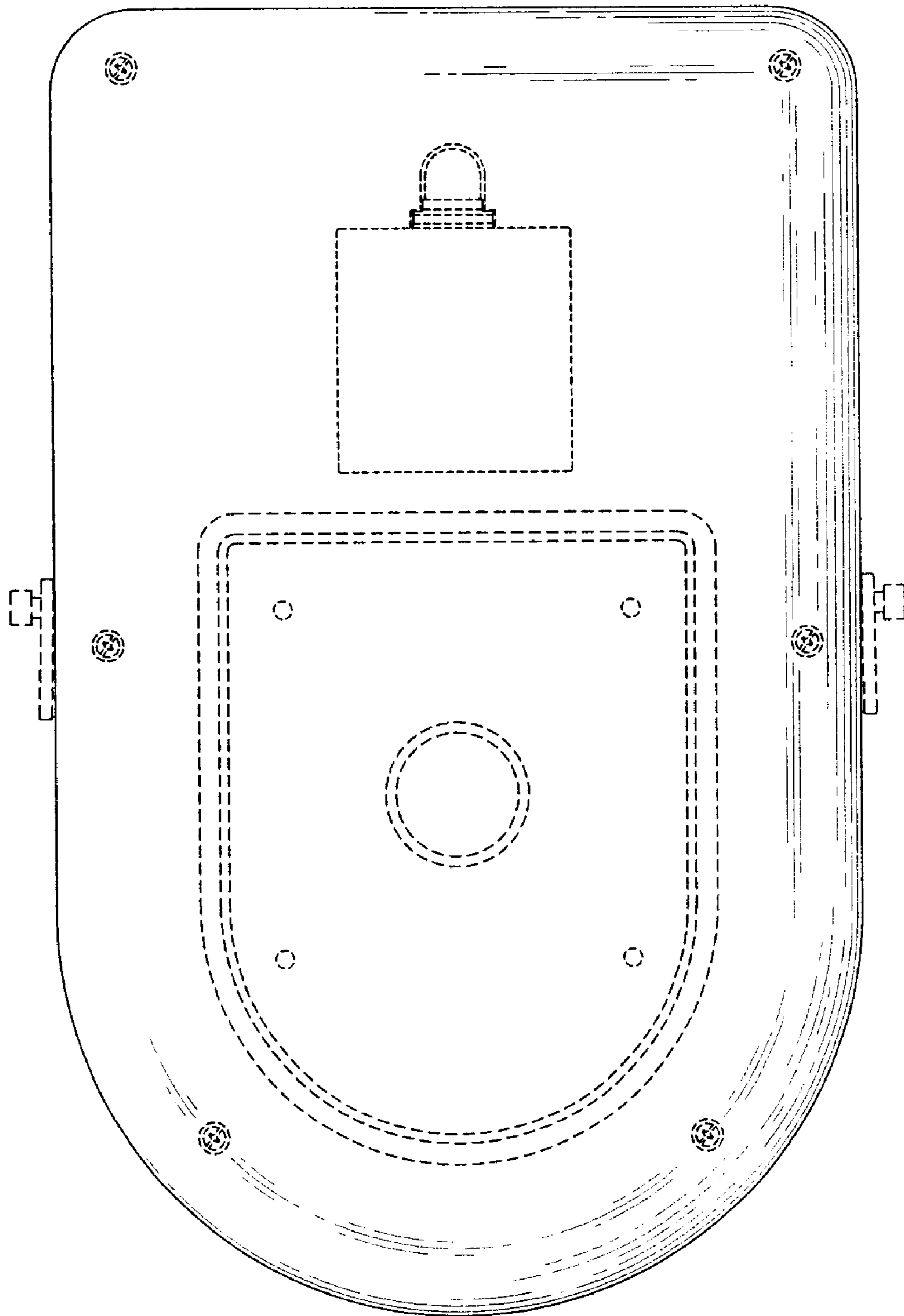


Fig. 17

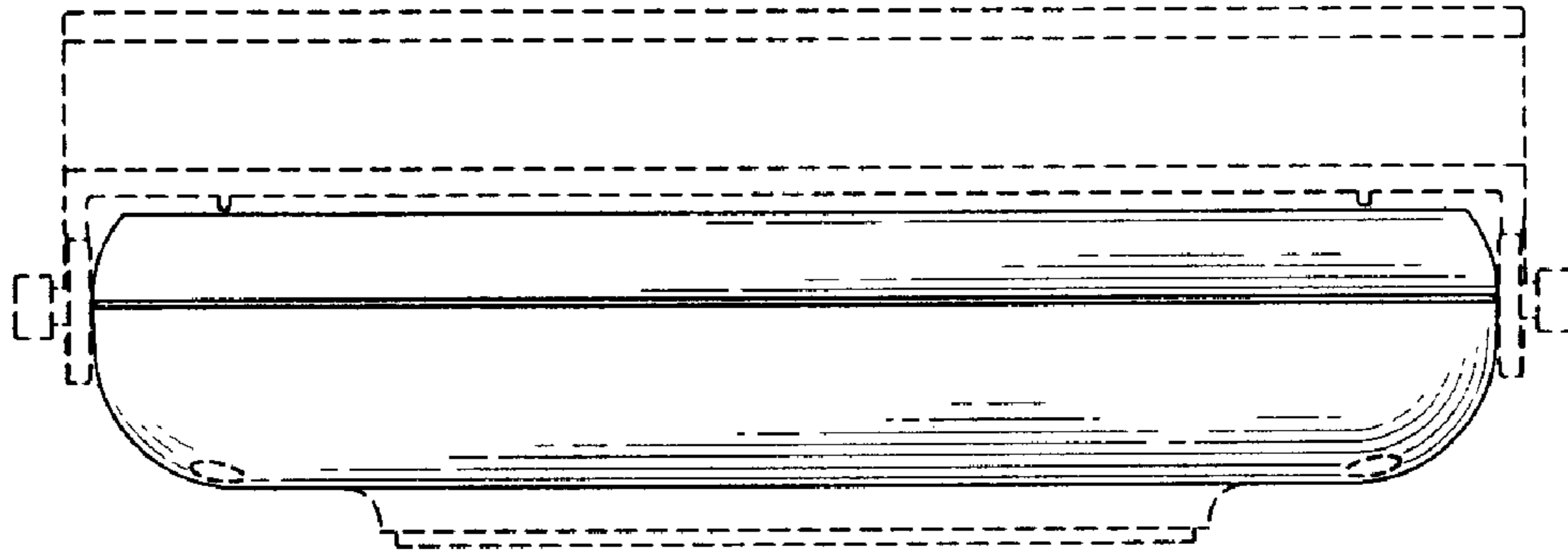


Fig. 18

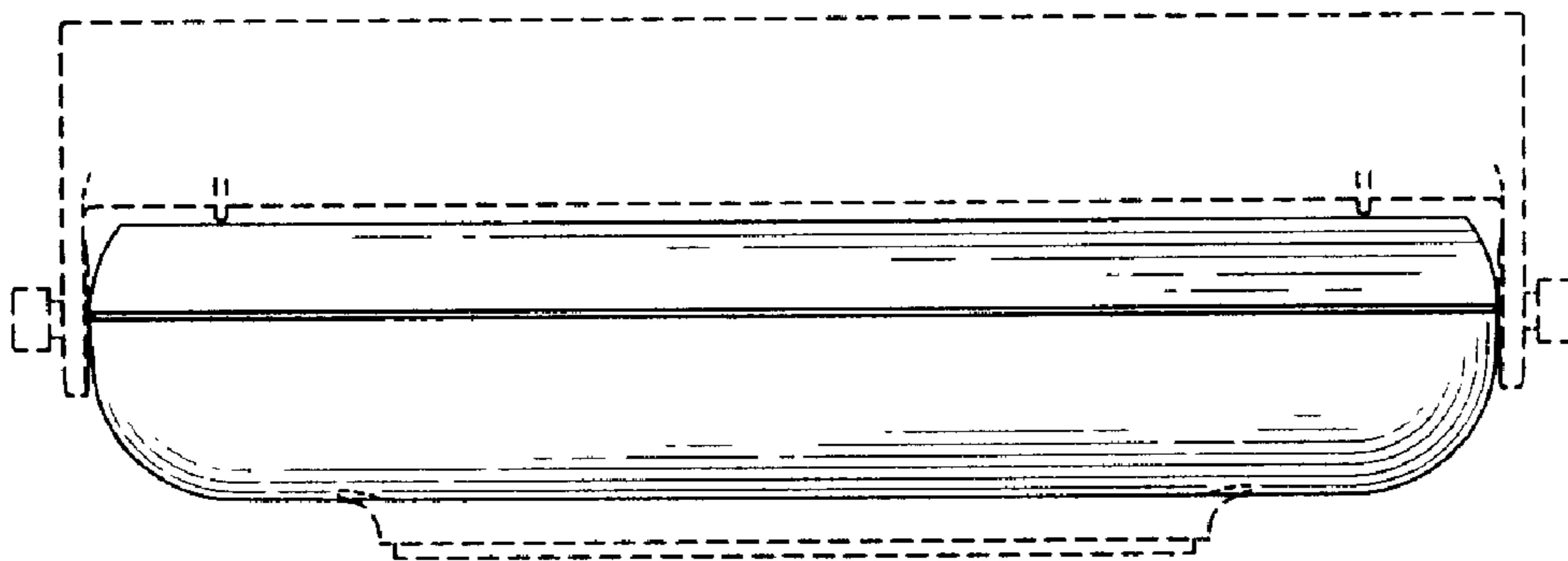


Fig. 19

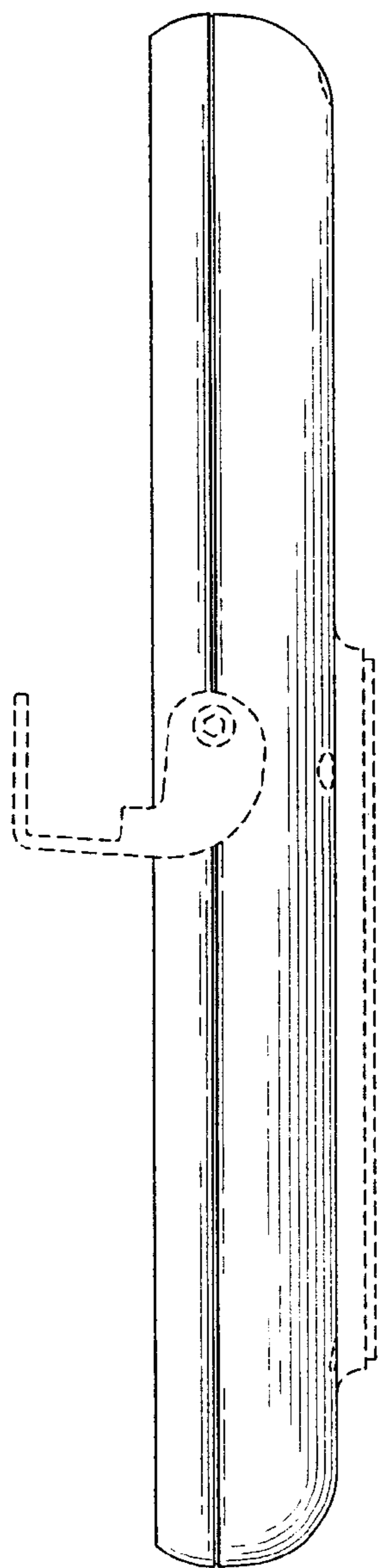


Fig. 20

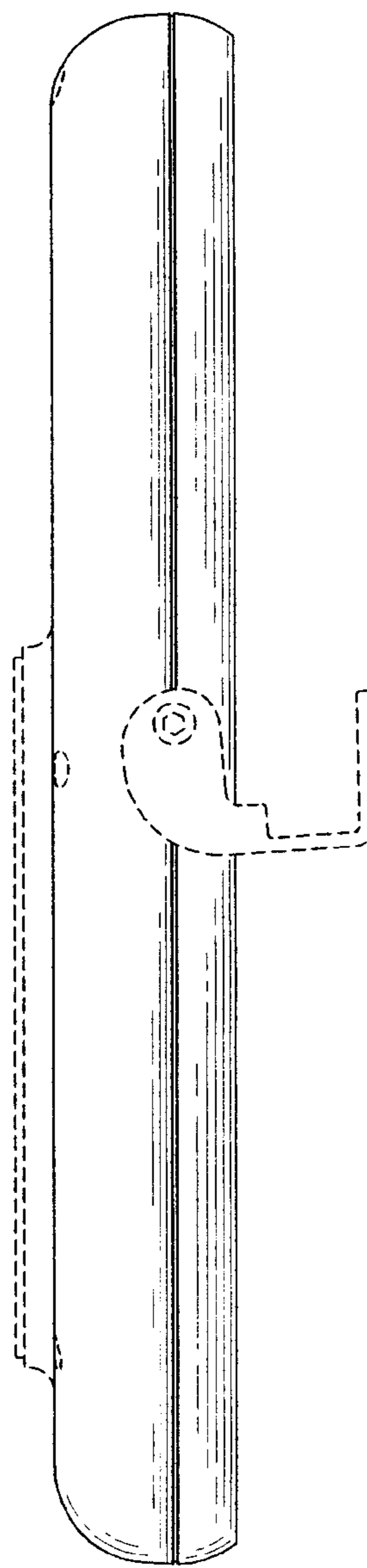


Fig. 21

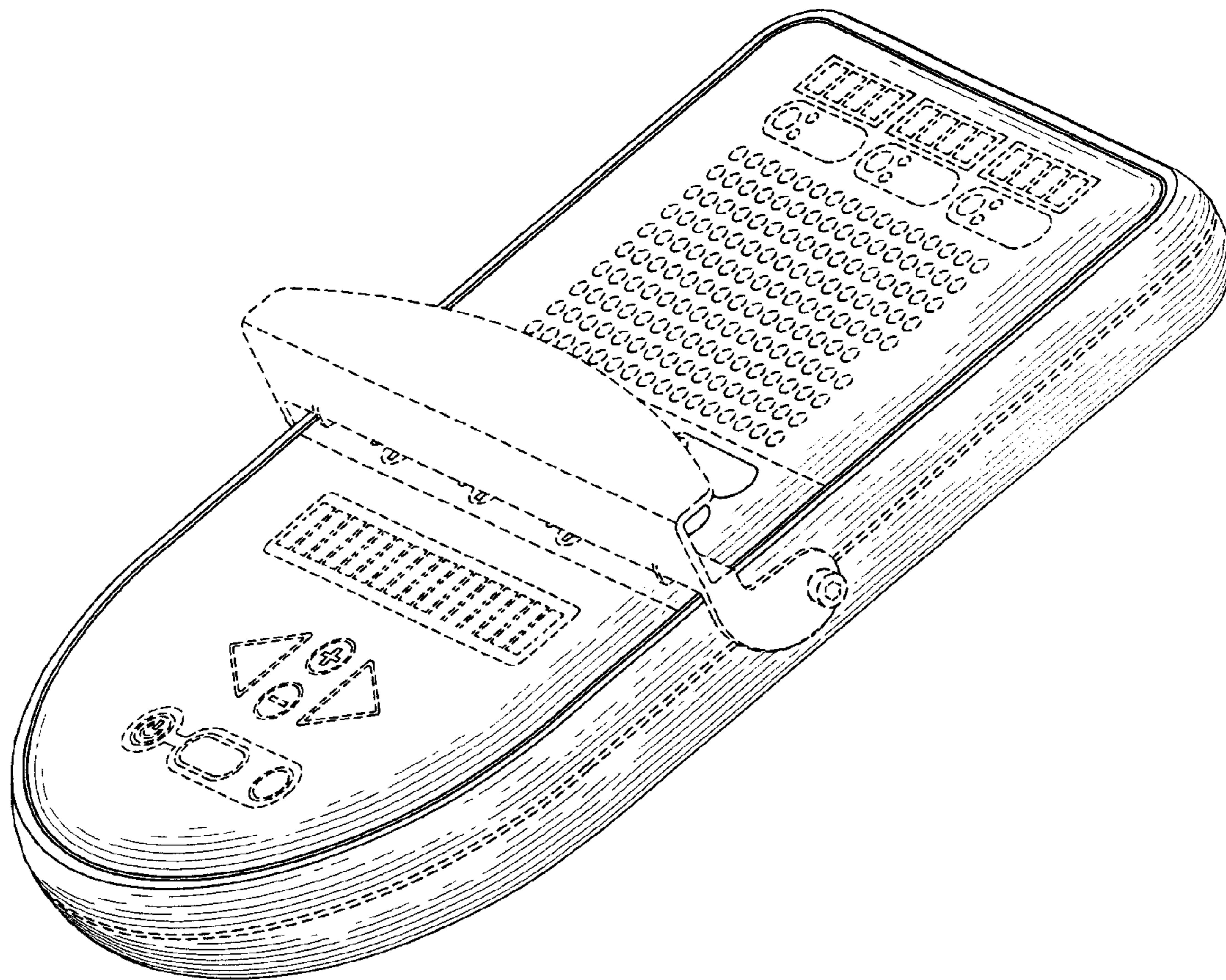


Fig. 22

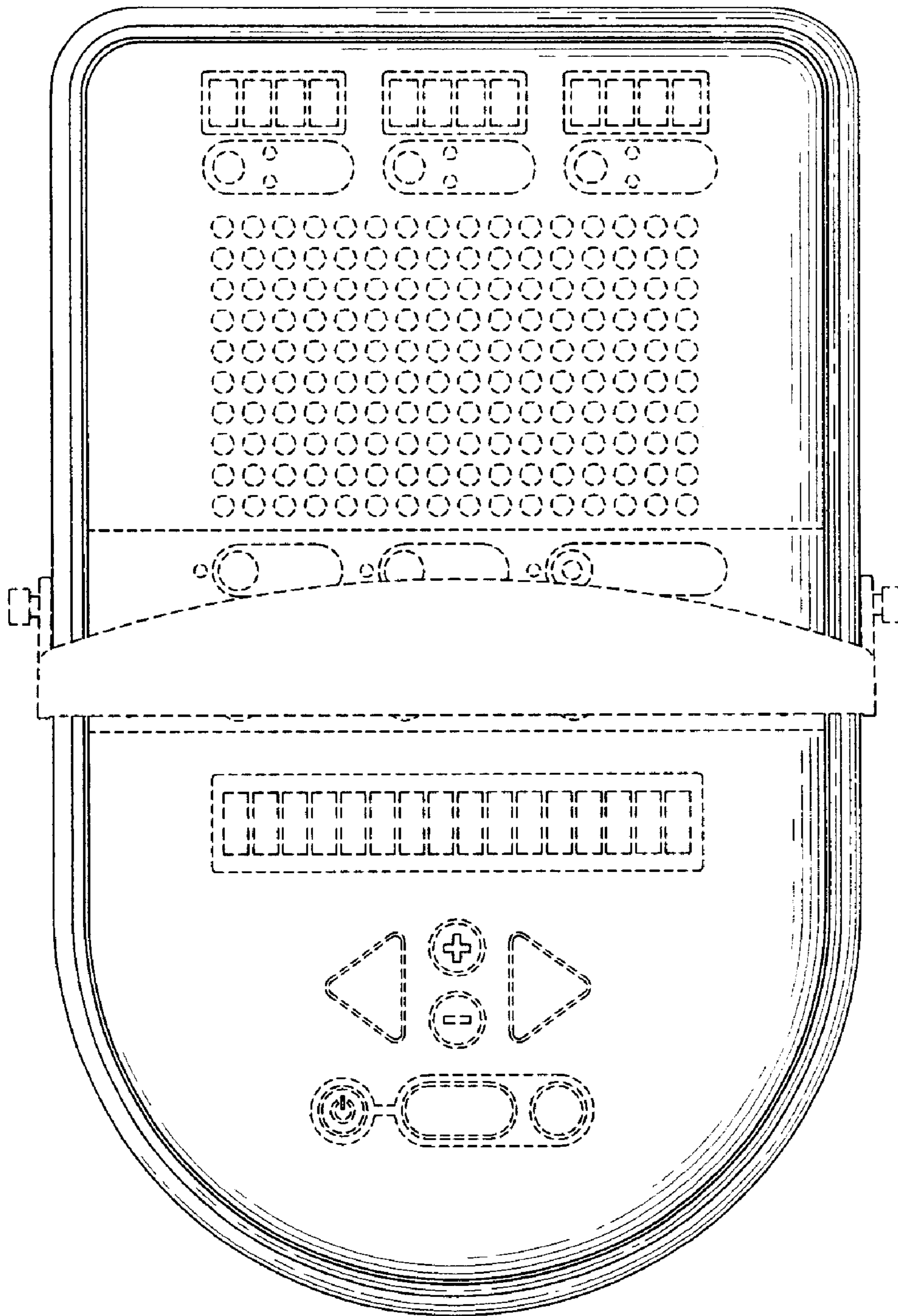


Fig. 23

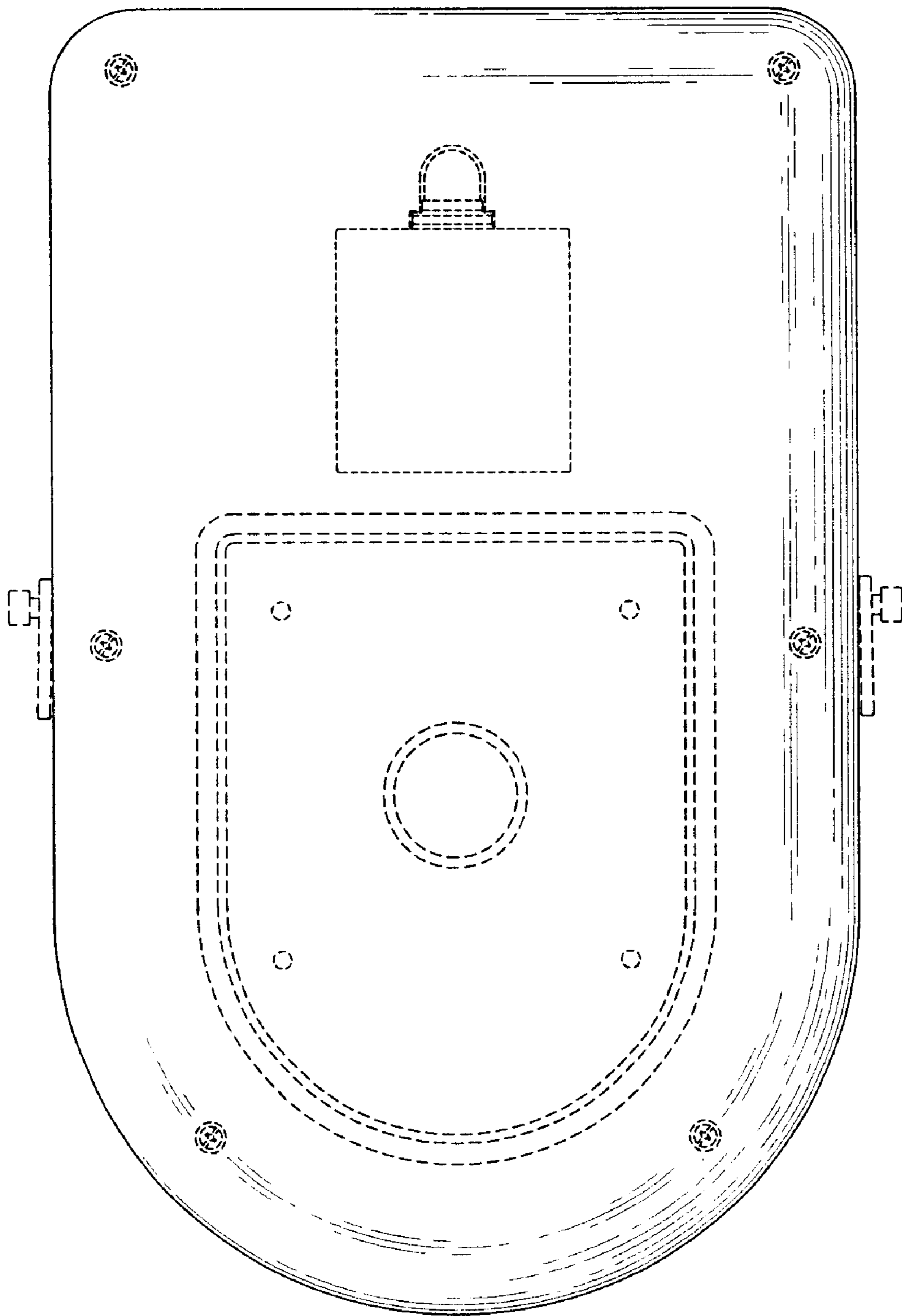


Fig. 24

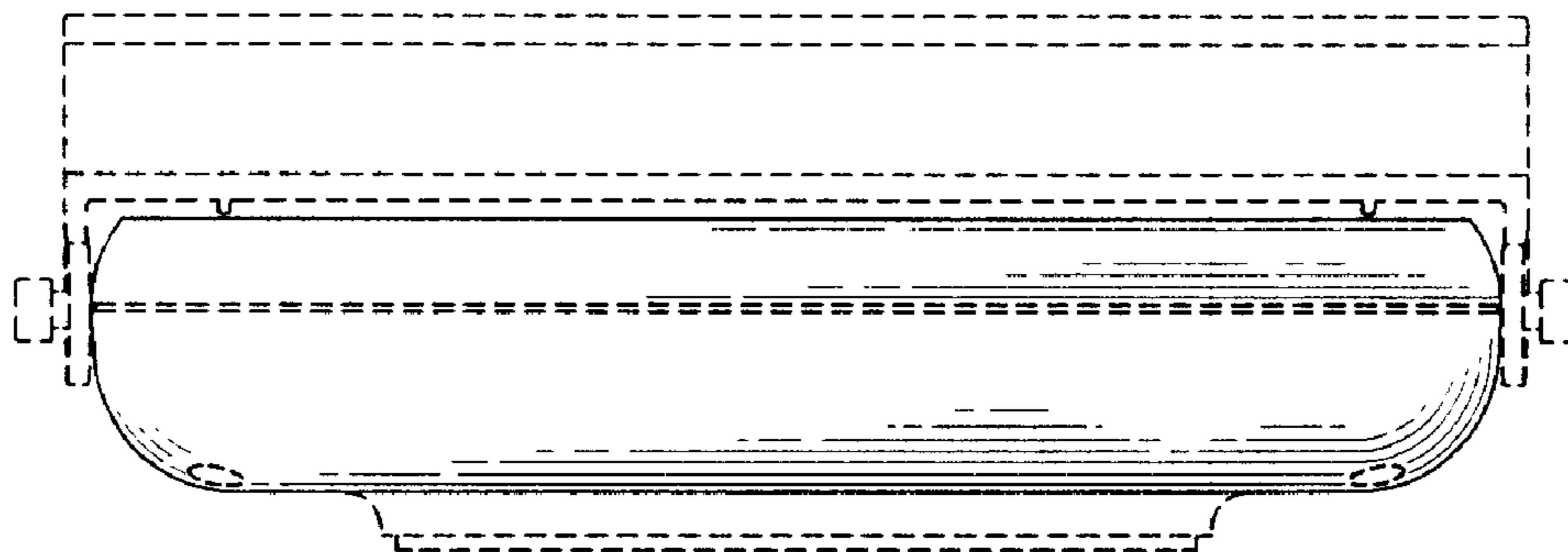


Fig. 25

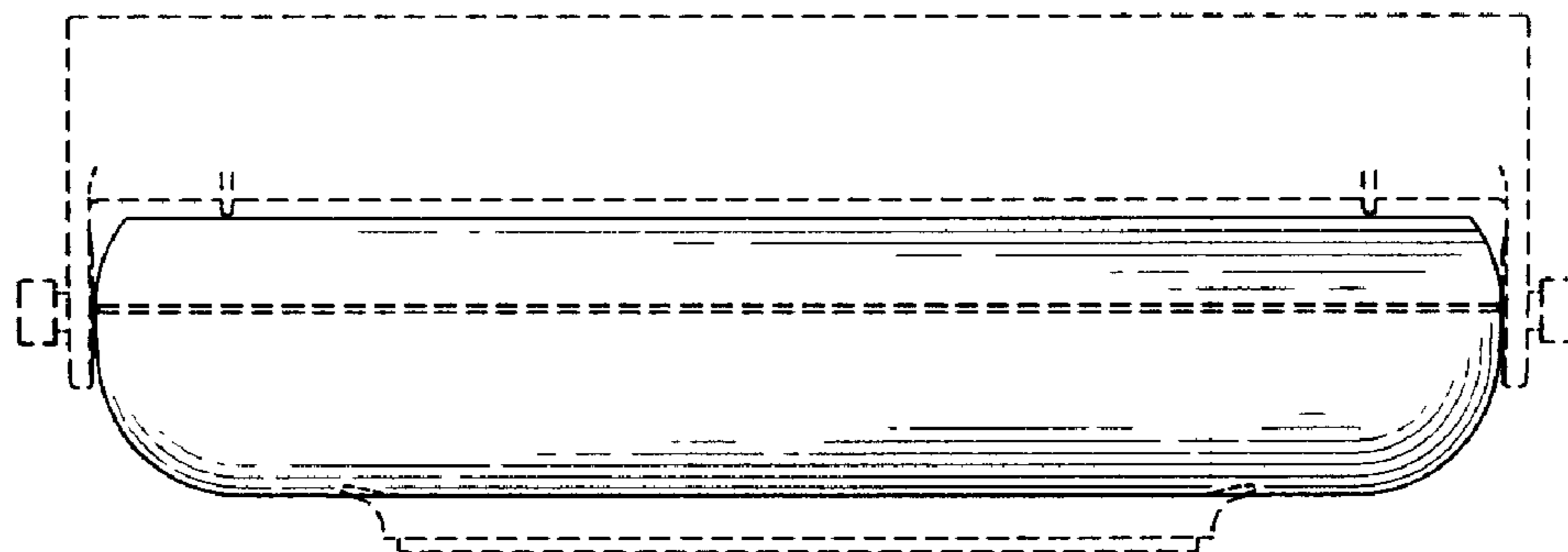


Fig. 26

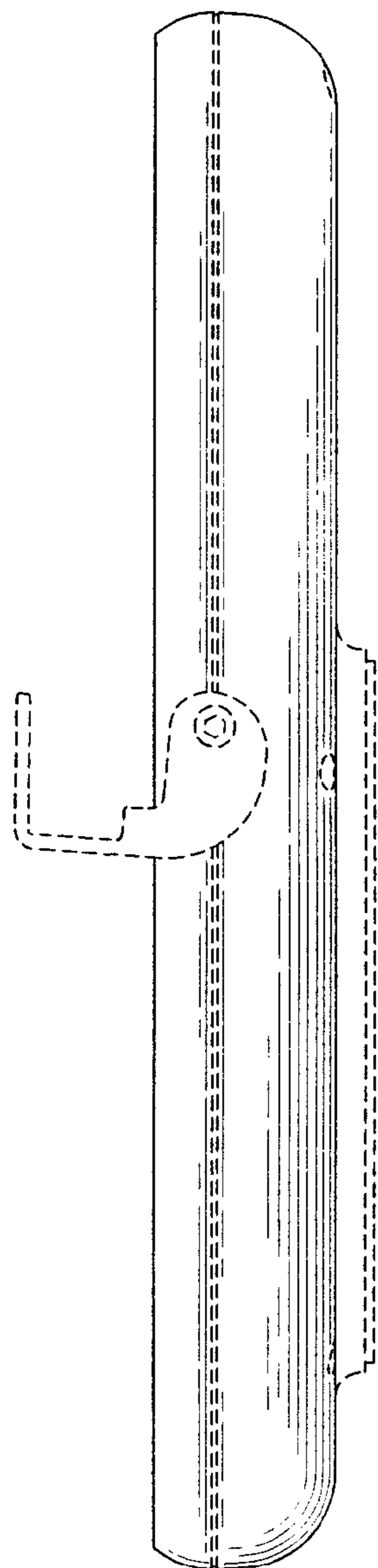


Fig. 27

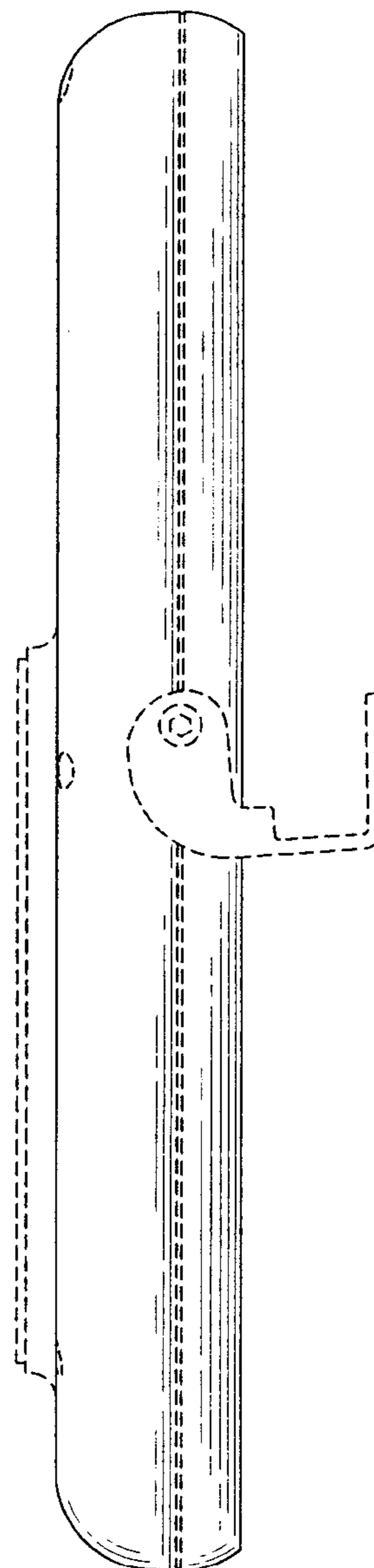


Fig. 28