



US00D536043S

(12) **United States Design Patent**
Tippmann, Jr. et al.

(10) **Patent No.:** **US D536,043 S**
(45) **Date of Patent:** **** Jan. 30, 2007**

(54) **PAINTBALL MARKER**

(75) Inventors: **Dennis J. Tippmann, Jr.**, Fort Wayne, IN (US); **Dennis J. Tippmann, Sr.**, New Haven, IN (US)

(73) Assignee: **Tippmann Sports, LLC**, Fort Wayne, IN (US)

(**) Term: **14 Years**

(21) Appl. No.: **29/240,765**

(22) Filed: **Oct. 18, 2005**

(51) **LOC (8) Cl.** **21-01**

(52) **U.S. Cl.** **D21/573**

(58) **Field of Classification Search** D21/570-574;
D22/100, 101, 103, 108, 109; 124/32, 41.1,
124/45, 49, 51.1, 56, 70-74, 77

See application file for complete search history.

(56) **References Cited**

U.S. PATENT DOCUMENTS

- D337,627 S * 7/1993 Moran D21/572
- D482,082 S * 11/2003 Chang D21/573
- 2002/0096164 A1 * 7/2002 Perrone 124/77
- 2003/0178018 A1 * 9/2003 Cherry 124/76

2004/0112356 A1 * 6/2004 Hatcher 124/41.1

* cited by examiner

Primary Examiner—Holly H. Baynham

Assistant Examiner—Cynthia M. Chin

(74) *Attorney, Agent, or Firm*—Barnes & Thornburg LLP

(57) **CLAIM**

The ornamental design for a paintball marker, as shown and described.

DESCRIPTION

FIG. 1 shows a perspective view of a paintball marker which incorporates the design of the present invention.

FIG. 2 shows a right side view of the paintball marker of FIG. 1.

FIG. 3 shows a left side view of the paintball marker of FIG. 1.

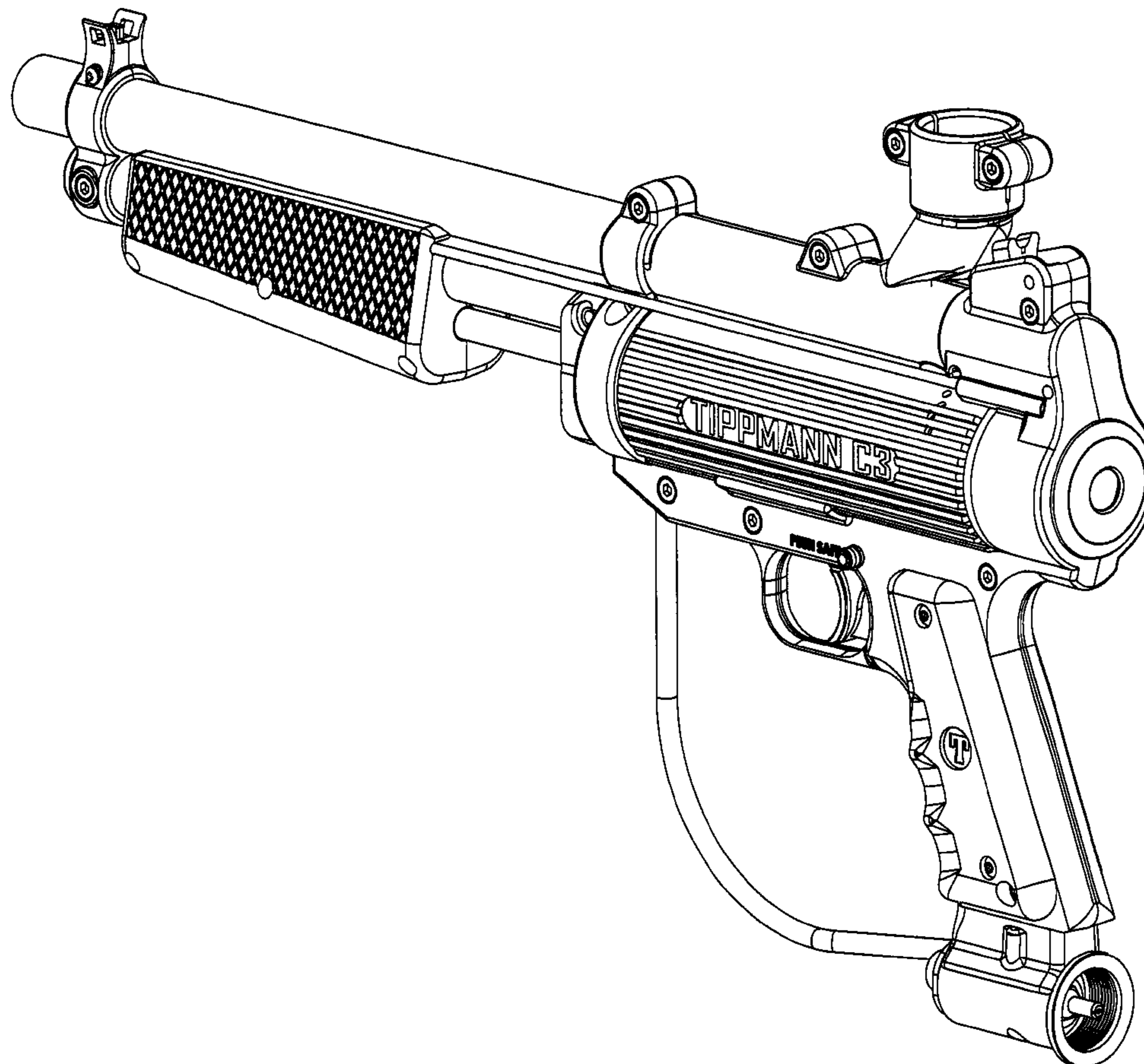
FIG. 4 shows a front view of the paintball marker of FIG. 1.

FIG. 5 shows a back or rear view of the paintball marker of FIG. 1.

FIG. 6 shows a top view of the paintball marker of FIG. 1; and,

FIG. 7 shows a bottom view of the paintball marker of FIG. 1.

1 Claim, 7 Drawing Sheets



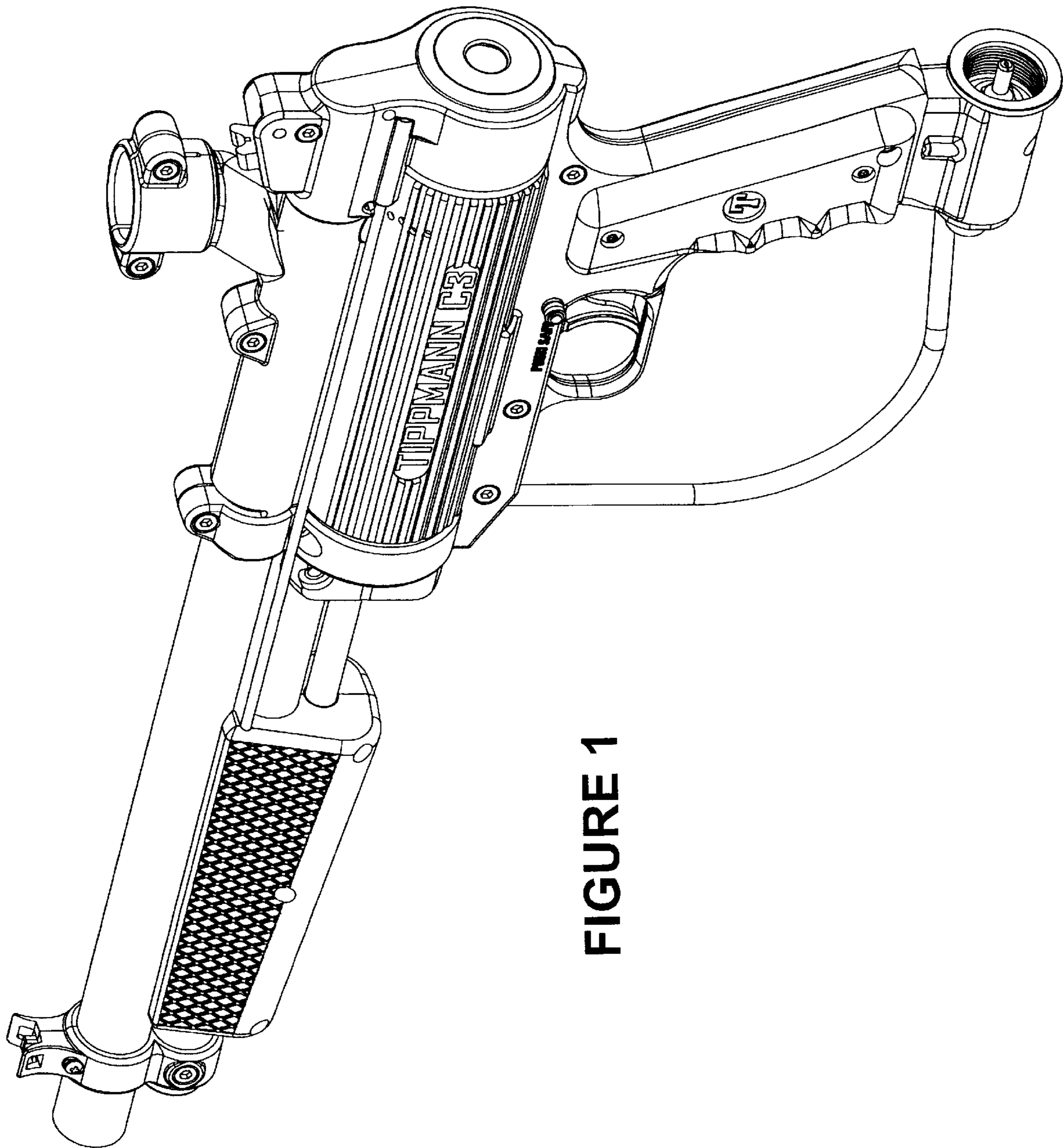
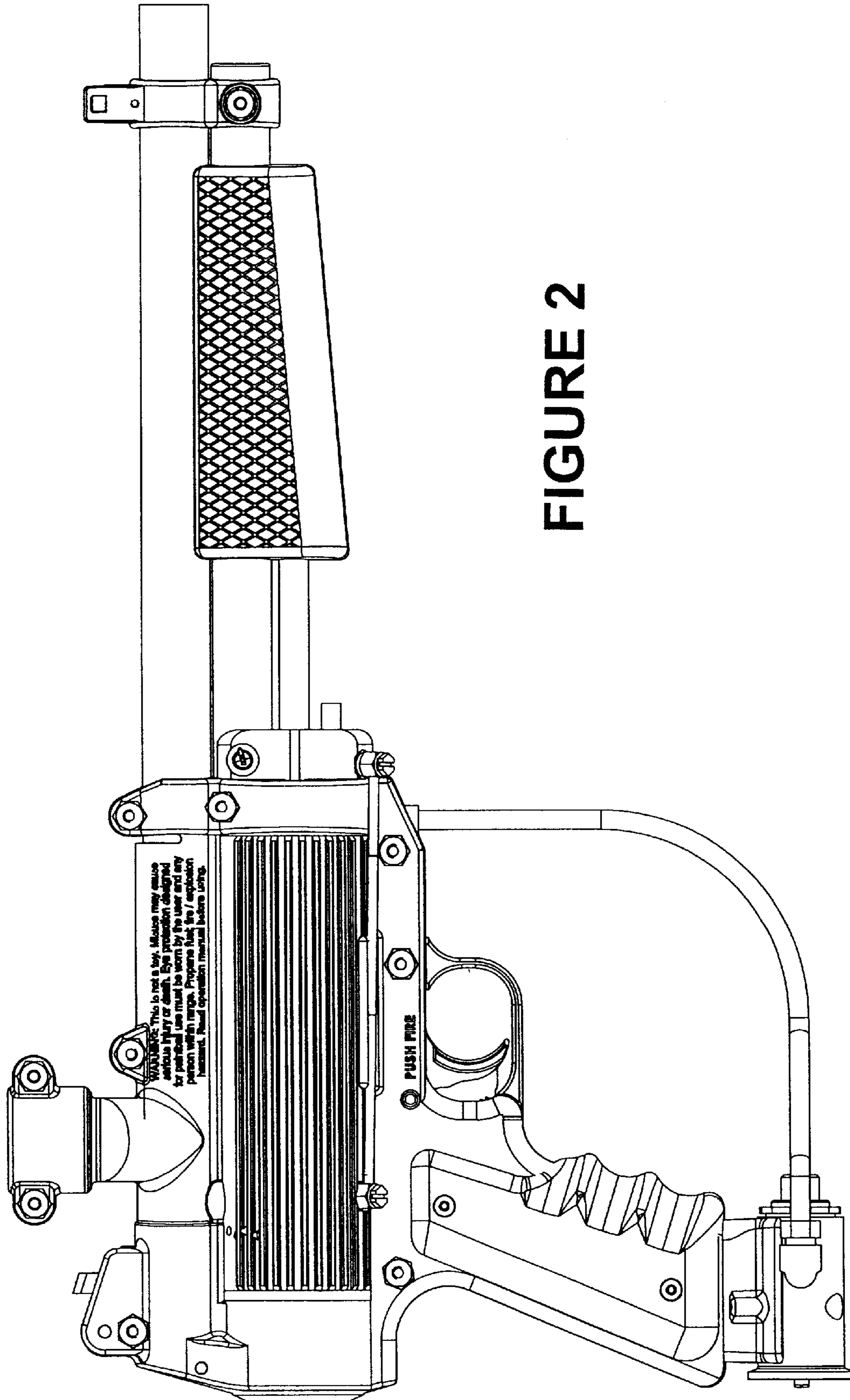


FIGURE 1



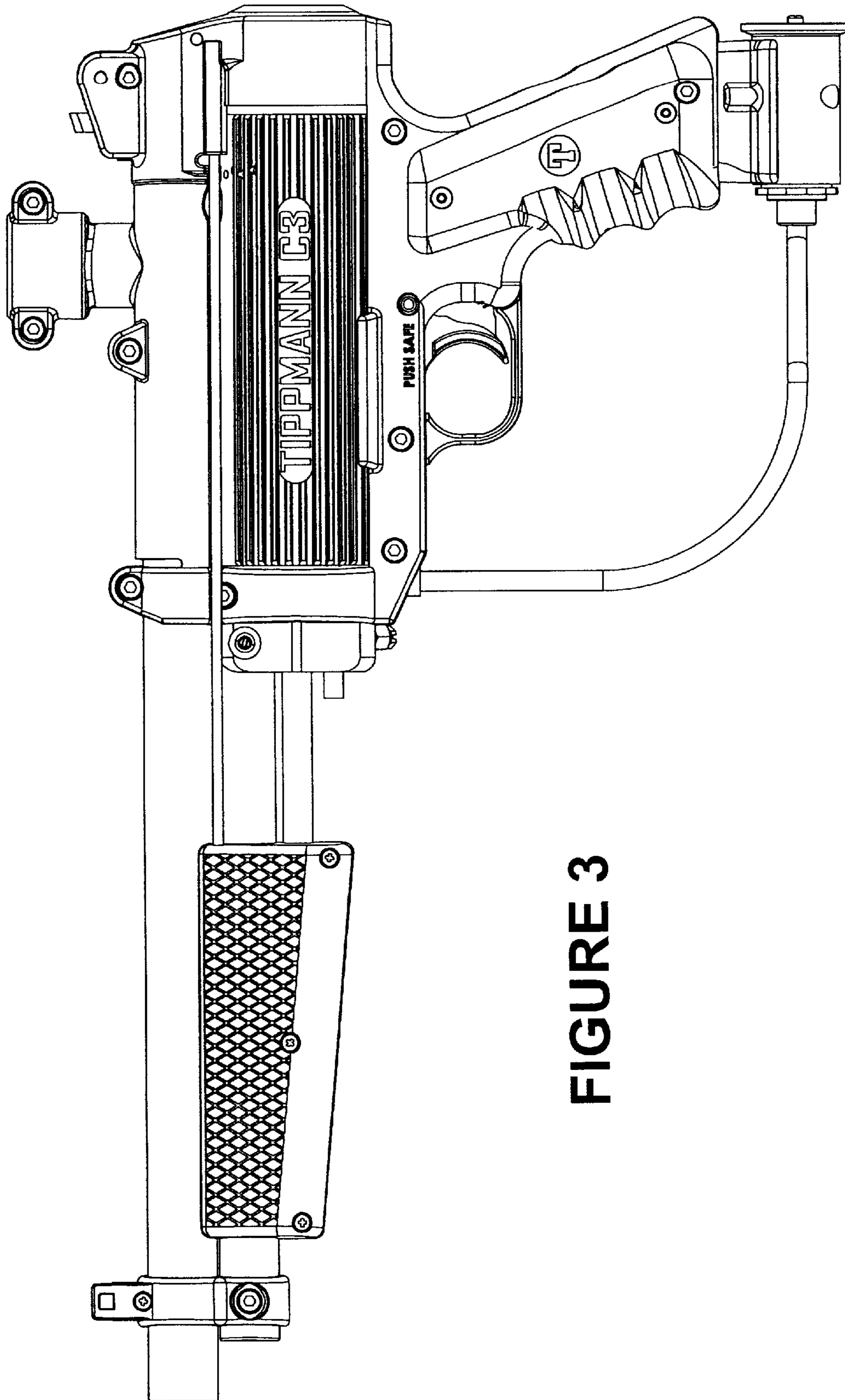


FIGURE 3

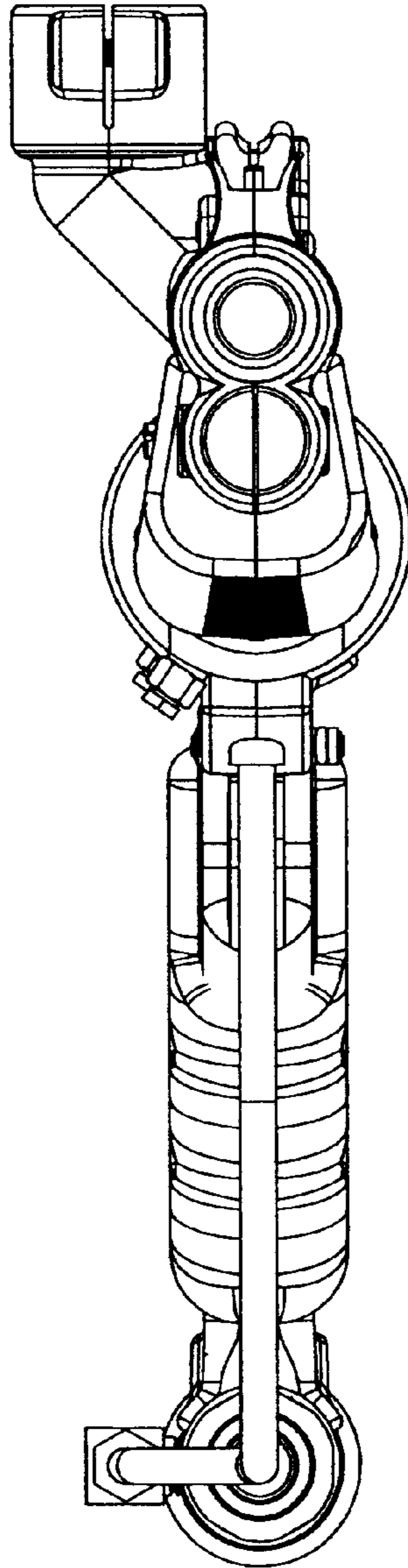


FIGURE 4

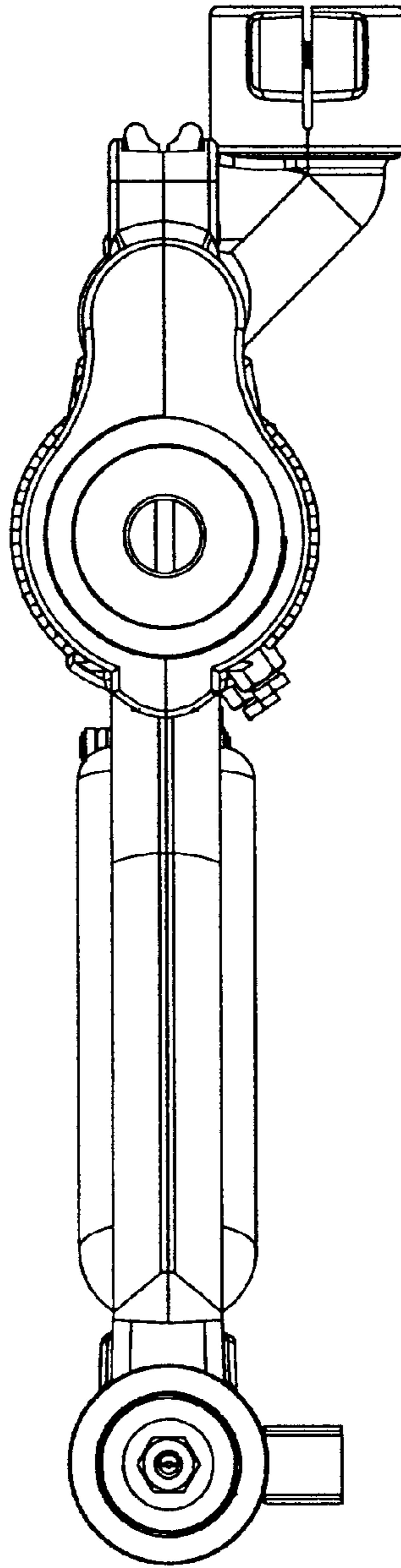


FIGURE 5

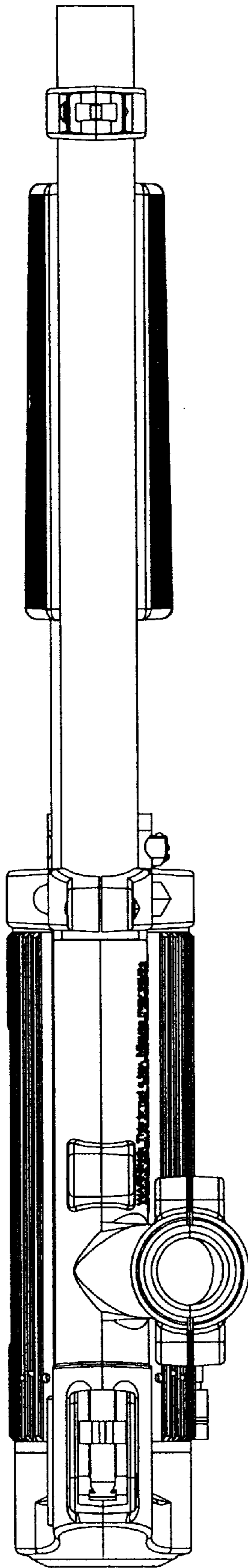


FIGURE 6

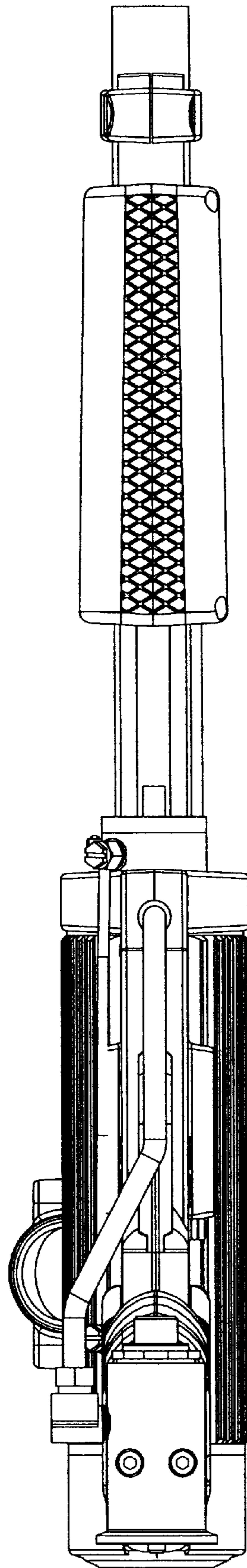


FIGURE 7