

US00D536016S

(12) **United States Design Patent**  
**Dayan**

(10) **Patent No.:** **US D536,016 S**  
(45) **Date of Patent:** **\*\* Jan. 30, 2007**

(54) **MONITOR AND HOLDER FOR CAMERA DEVICES**

(75) Inventor: **Maurice S. Dayan**, Oakhurst, NJ (US)

(73) Assignee: **Intellectual Solutions, Inc.**

(\*\*) Term: **14 Years**

(21) Appl. No.: **29/258,861**

(22) Filed: **Apr. 28, 2006**

(51) **LOC (8) Cl.** ..... **16-05**

(52) **U.S. Cl.** ..... **D16/242; D16/237; D14/126**

(58) **Field of Classification Search** ..... D14/126,  
D14/129, 334, 336; D16/200-204, 208, 211,  
D16/218, 219, 237, 242; 248/176.1, 917,  
248/918; 340/436; 348/118, 148, 152; 396/419,  
396/429, 535, 540, 541

See application file for complete search history.

(56) **References Cited**

**U.S. PATENT DOCUMENTS**

D373,580 S	9/1996	Nakada	
5,574,443 A	* 11/1996	Hsieh	348/118
5,947,440 A	* 9/1999	Cho	248/917
D425,558 S	5/2000	Tarpenning	
6,175,300 B1	* 1/2001	Kendrick	340/436
D451,097 S	11/2001	Schmeisser	
D451,505 S	12/2001	Iseki	
D454,146 S	* 3/2002	Mori	D16/211
D463,432 S	9/2002	Bruckner	
D470,140 S	2/2003	Lin	
D474,737 S	* 5/2003	Yoshida	D16/219
D481,057 S	10/2003	Brady	
D483,361 S	12/2003	Yao	
D484,131 S	12/2003	Olson et al.	
D485,234 S	* 1/2004	Katayama	D16/237
D487,762 S	3/2004	Huang et al.	

D494,970 S	8/2004	Chen	
D504,890 S	5/2005	Sung	
D506,195 S	6/2005	Leveridge	
D508,034 S	8/2005	Liao	
D508,710 S	8/2005	Nagai	
D510,576 S	10/2005	Summit	
D514,558 S	2/2006	Nagel	
D515,562 S	2/2006	Rodarte	
D522,473 S	* 6/2006	Lin	D14/126

\* cited by examiner

*Primary Examiner*—Adir Aronovich

(74) *Attorney, Agent, or Firm*—Wolf, Block, Schorr and Solis-Cohen LLP

(57) **CLAIM**

The ornamental design for a monitor and holder for camera devices, as shown and described.

**DESCRIPTION**

FIG. 1 is a top perspective view of a monitor and holder for camera devices.

FIG. 2 is a bottom perspective view of the monitor and holder for camera devices of FIG. 1.

FIG. 3 is a front view of the monitor and holder for camera devices of FIG. 1.

FIG. 4 is a rear view of the monitor and holder for camera devices of FIG. 1.

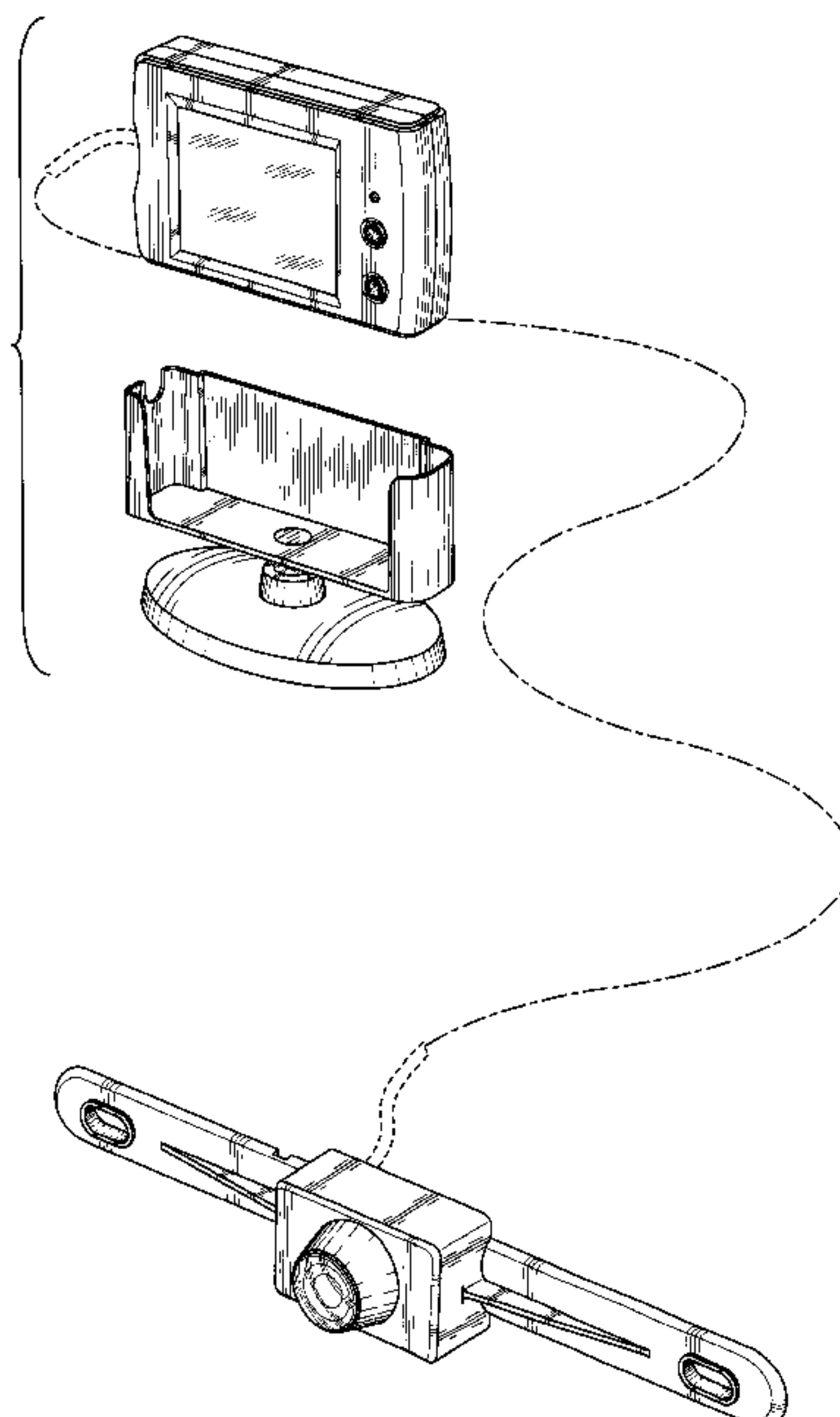
FIG. 5 is a left-side view of the monitor and holder for camera devices of FIG. 1.

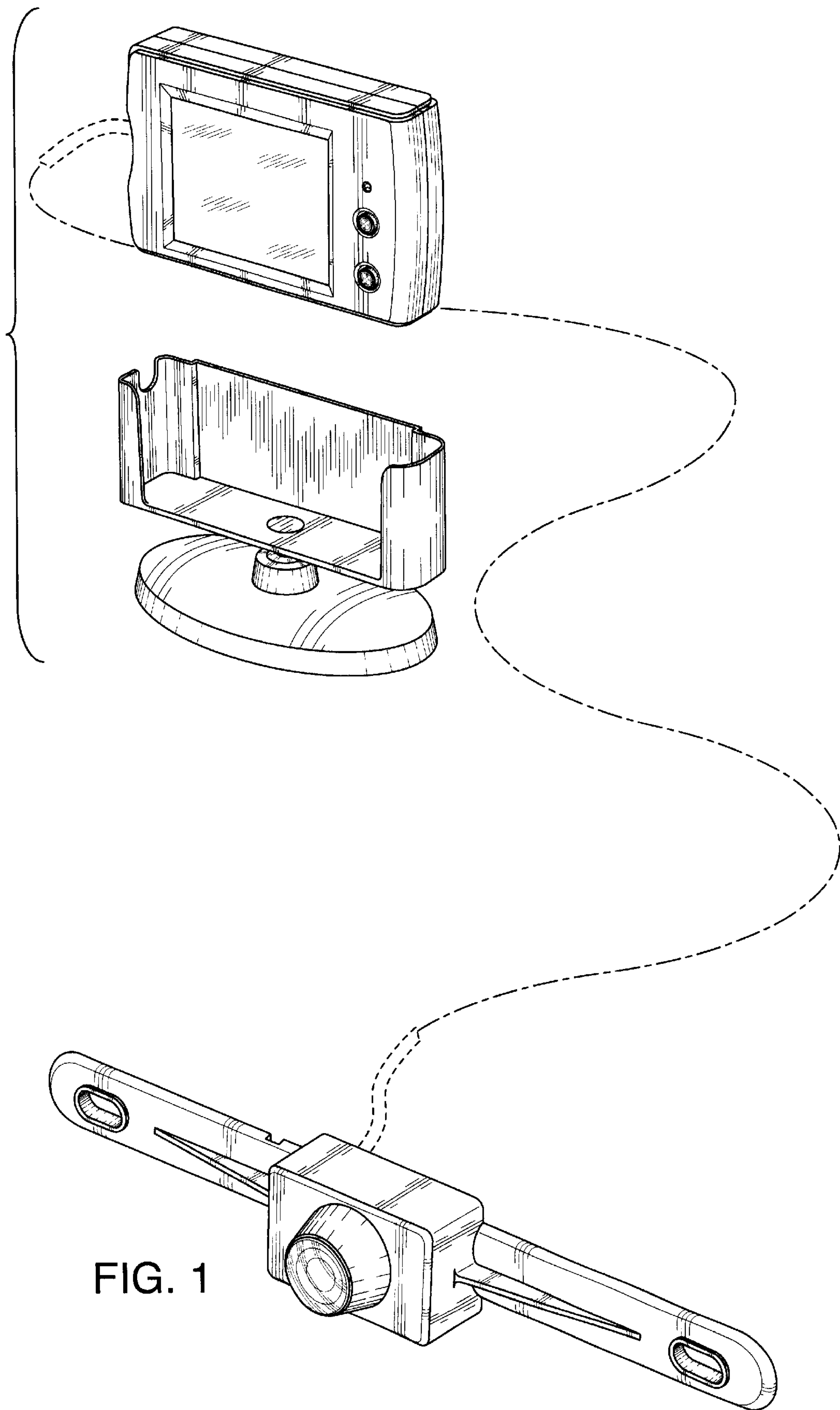
FIG. 6 is a right-side view of the monitor and holder for camera devices of FIG. 1.

FIG. 7 is a top view of the monitor and holder for camera devices of FIG. 1; and,

FIG. 8 is a bottom view of the monitor and holder for camera devices of FIG. 1.

**1 Claim, 8 Drawing Sheets**





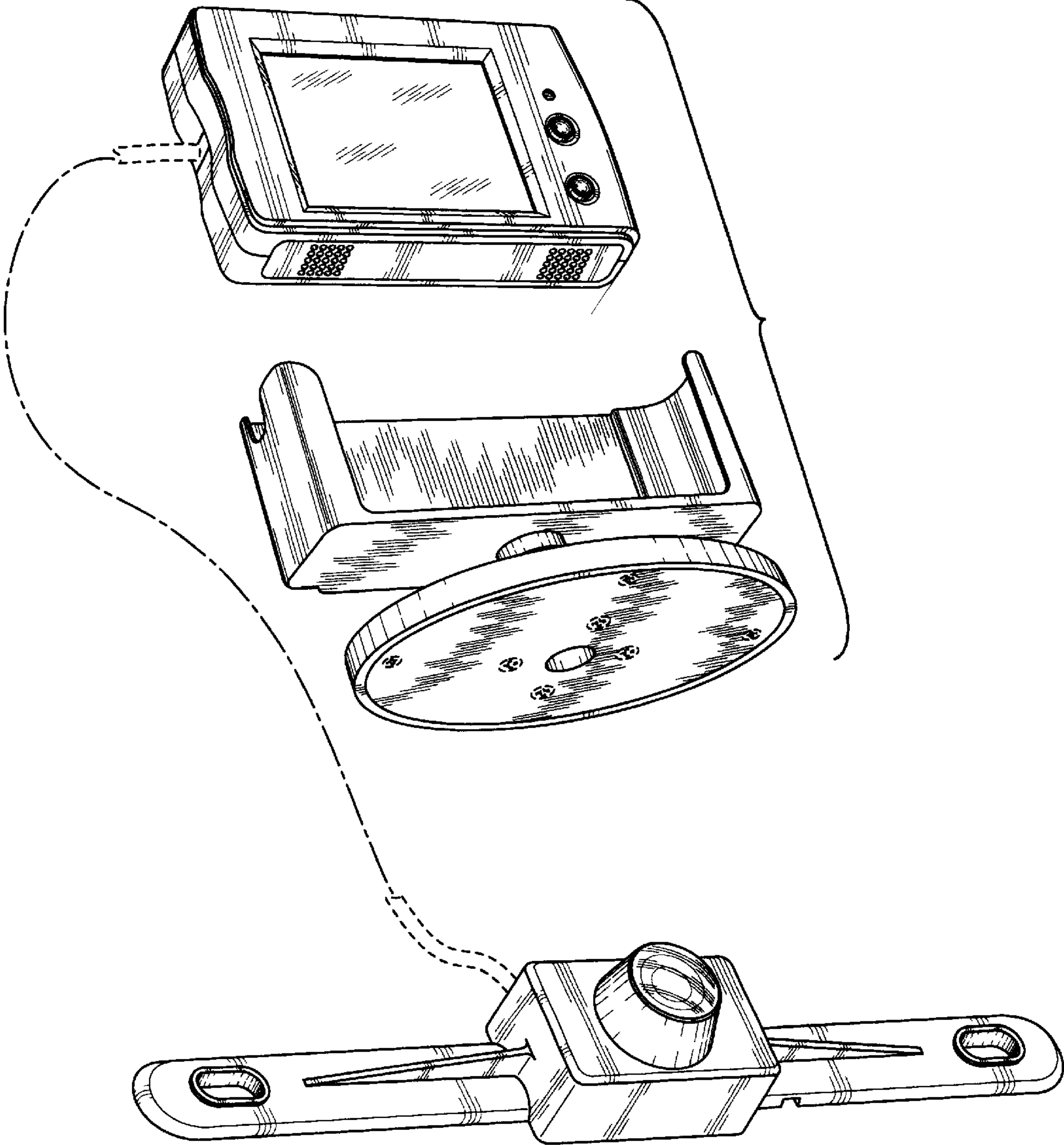


FIG. 2

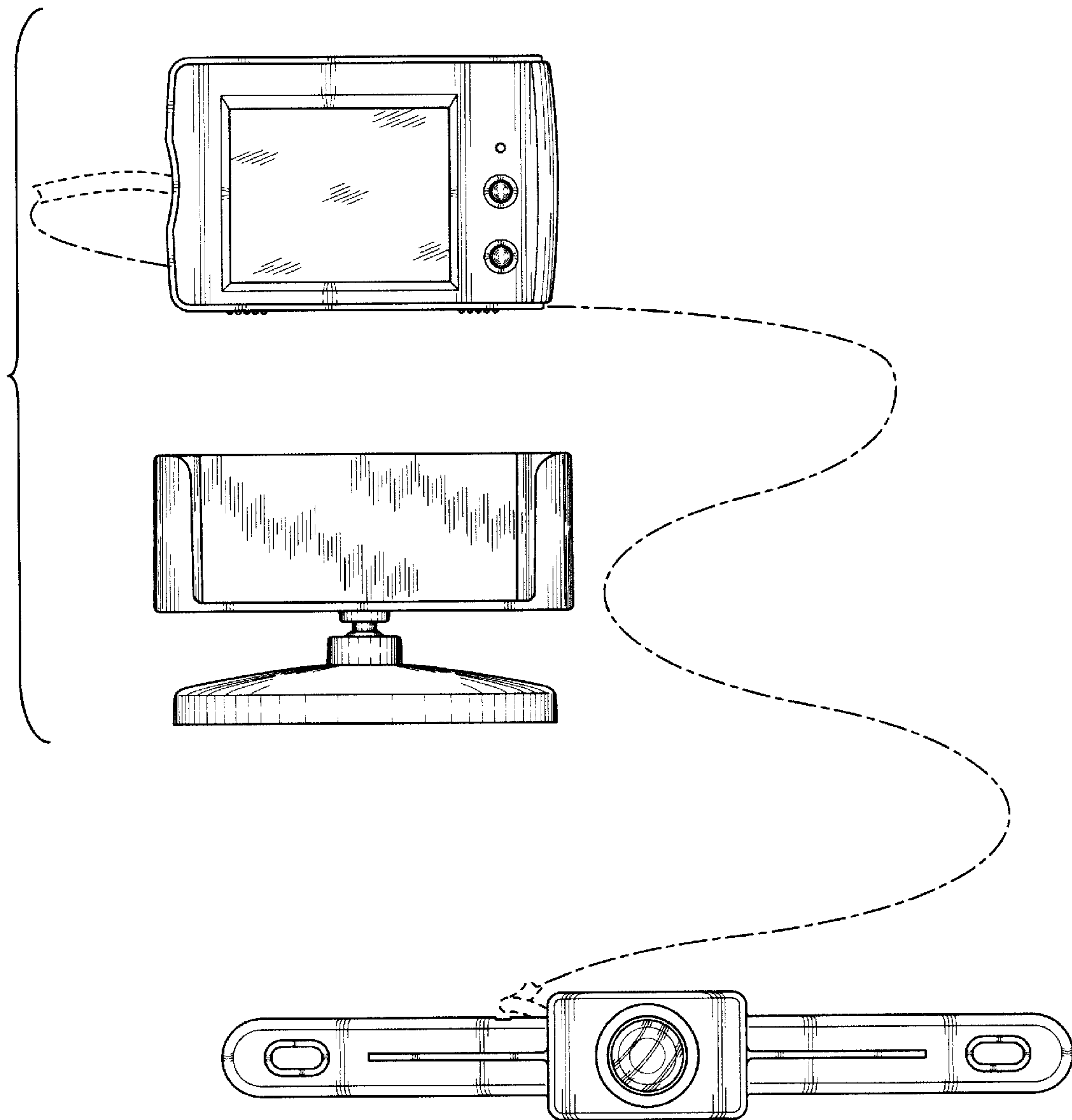


FIG. 3



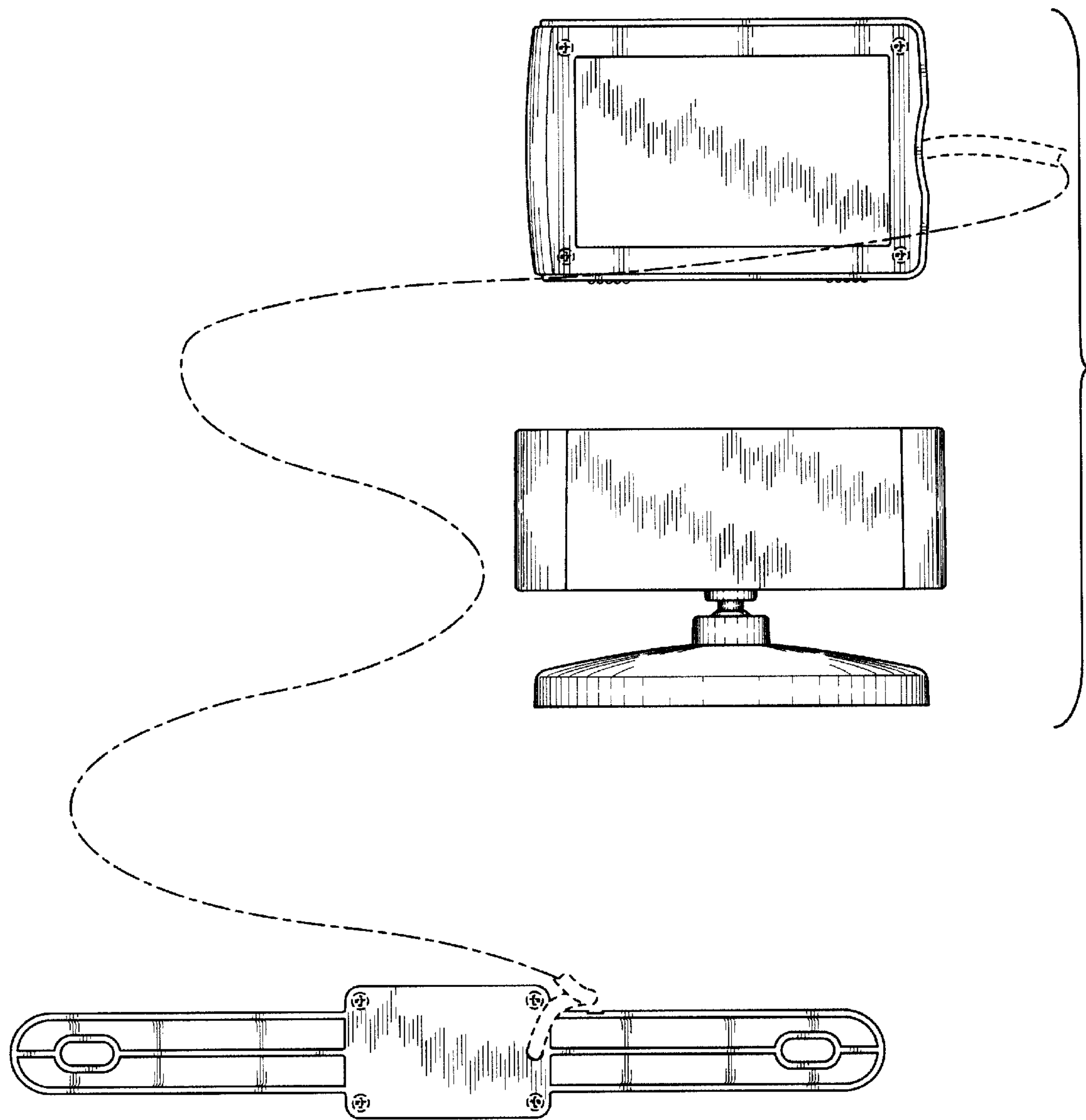


FIG. 4

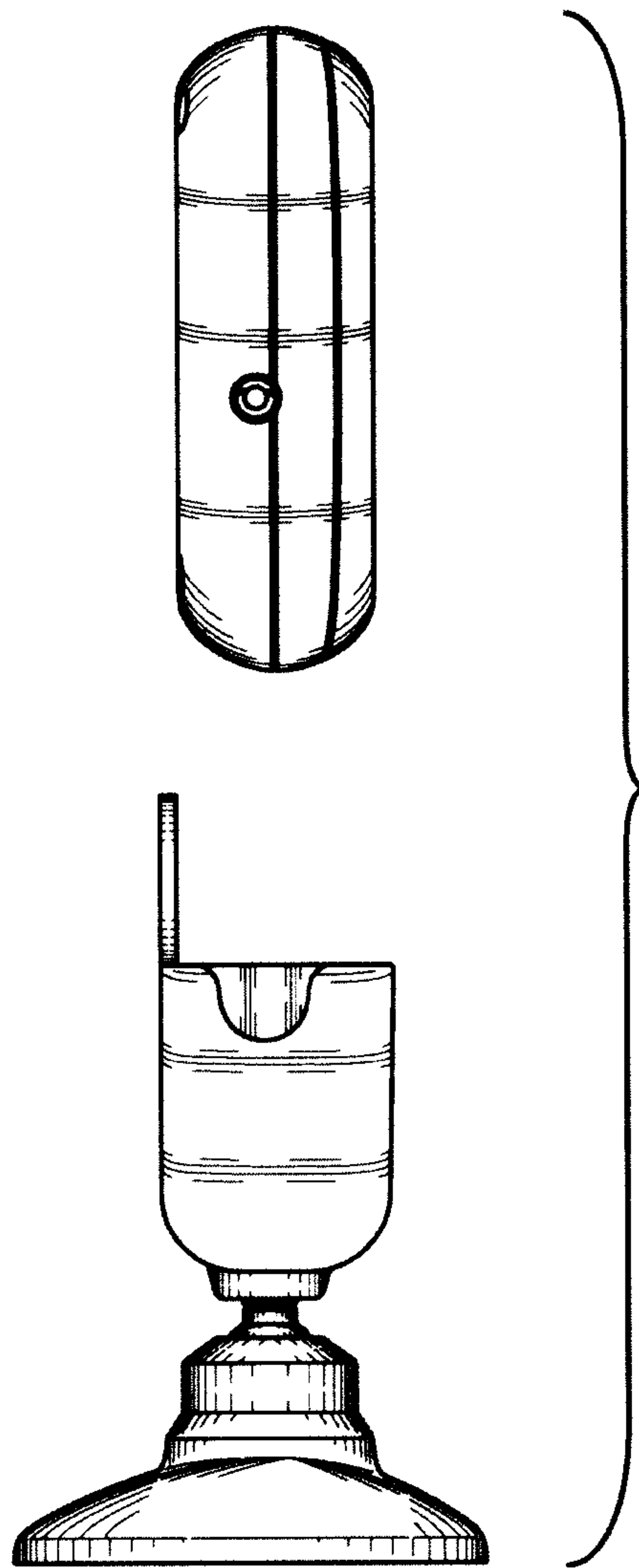


FIG. 5

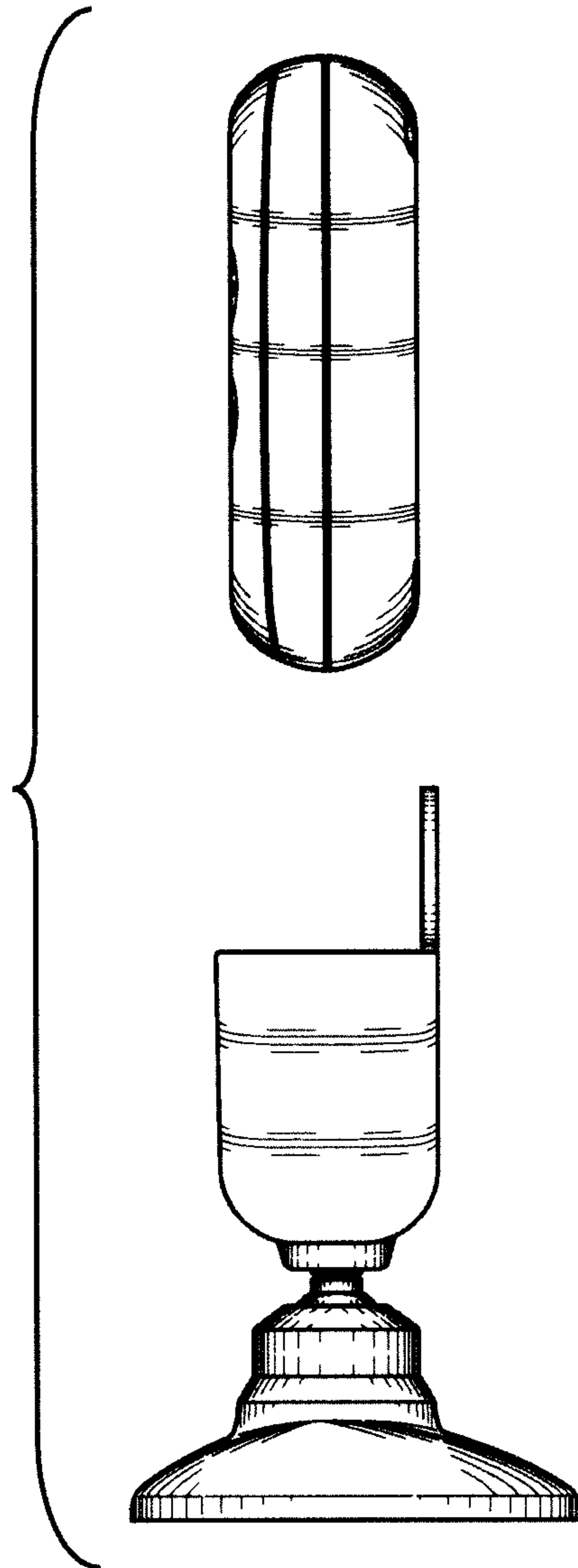


FIG. 6

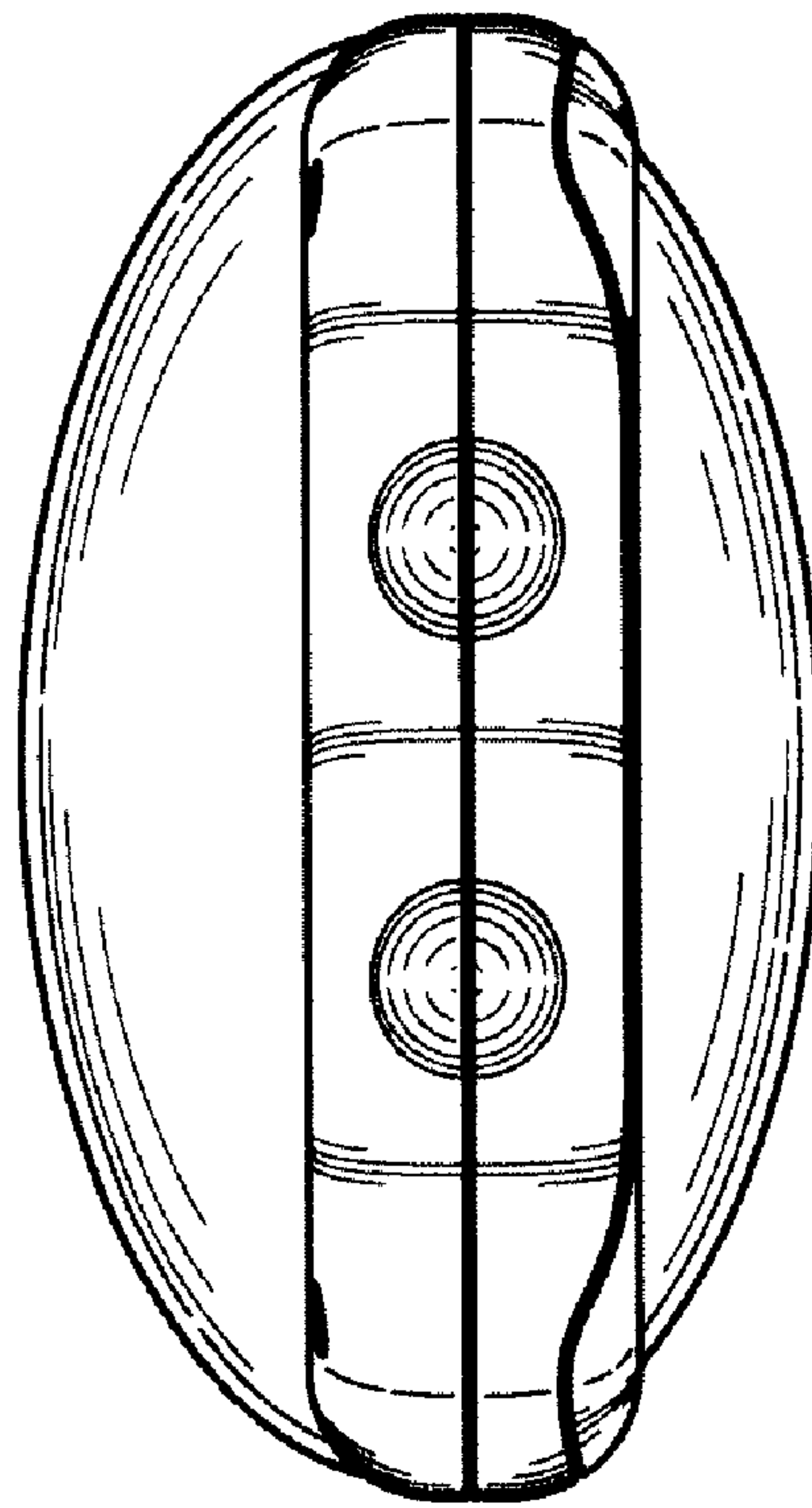


FIG. 7



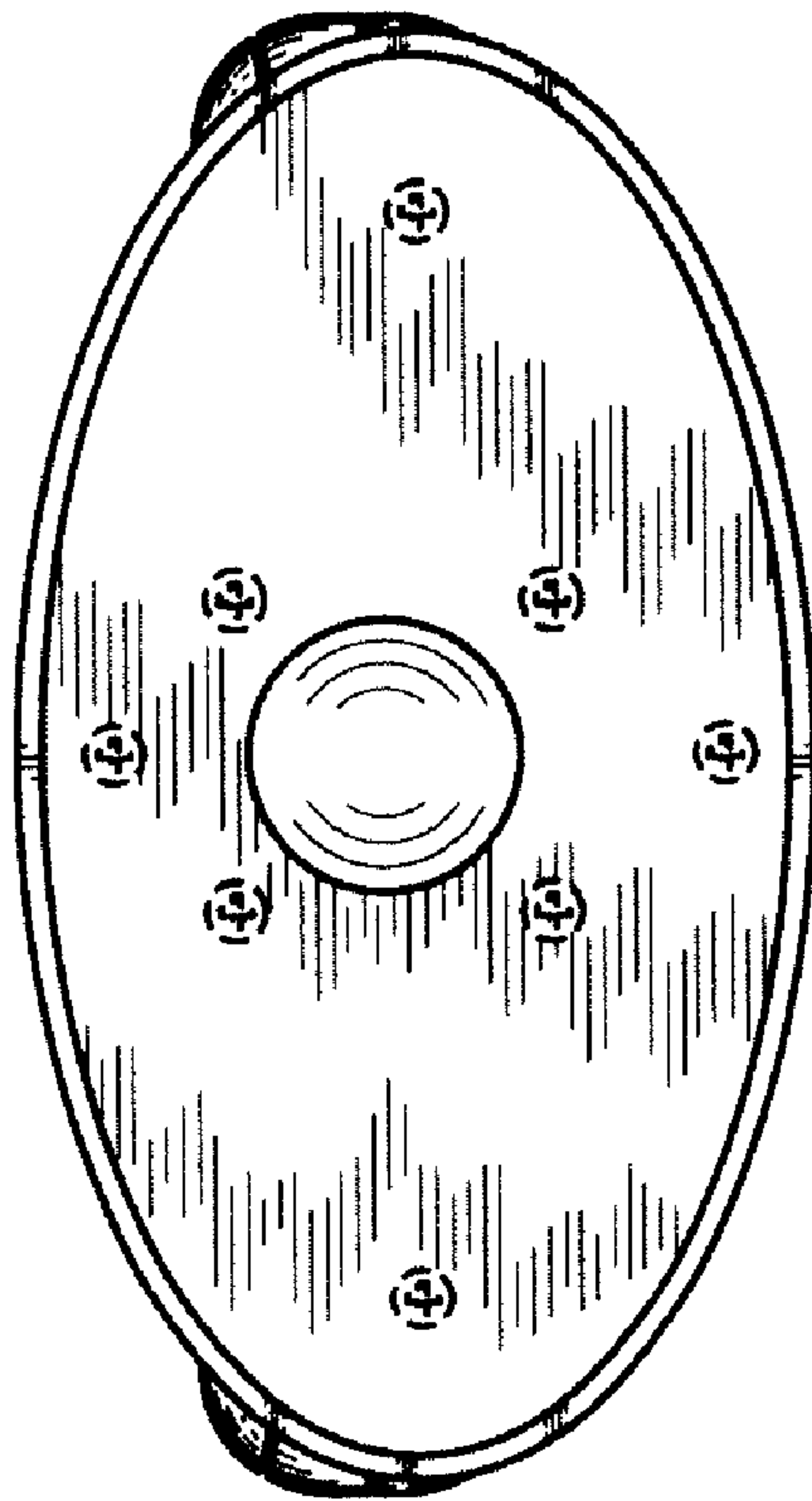


FIG. 8

UNITED STATES PATENT AND TRADEMARK OFFICE  
**CERTIFICATE OF CORRECTION**

PATENT NO. : Des. 536,016 S  
APPLICATION NO. : 29/258861  
DATED : January 30, 2007  
INVENTOR(S) : Dayan

Page 1 of 9

It is certified that error appears in the above-identified patent and that said Letters Patent is hereby corrected as shown below:

The drawing sheets consisting of Figs 1-8 should be deleted and substitute therefore the attached drawing sheets consisting of Fig(s) 1-8.

Signed and Sealed this

Twelfth Day of June, 2007

A handwritten signature in black ink on a light gray dotted background. The signature reads "Jon W. Dudas" in a cursive style.

JON W. DUDAS

*Director of the United States Patent and Trademark Office*

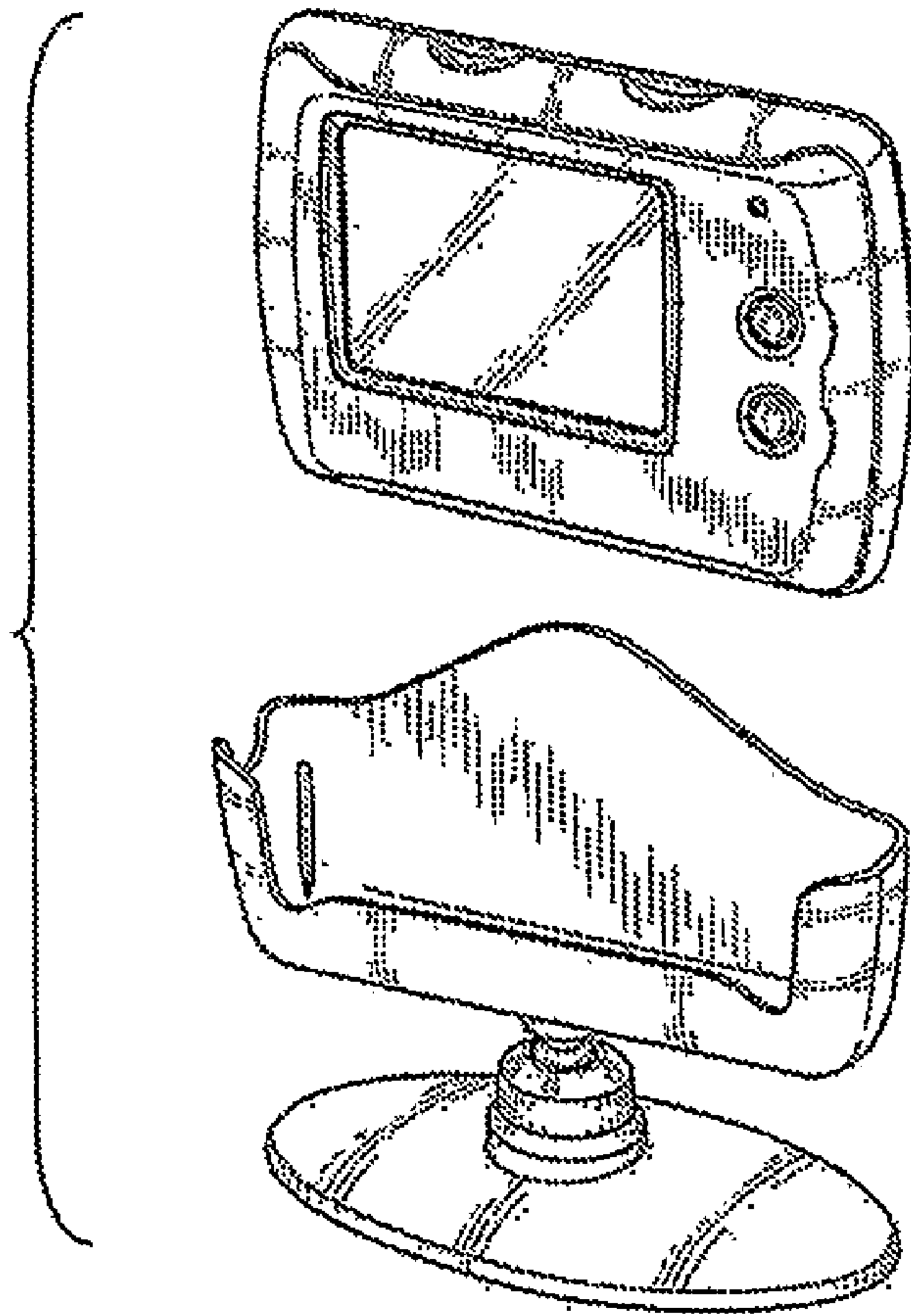


FIG. 1

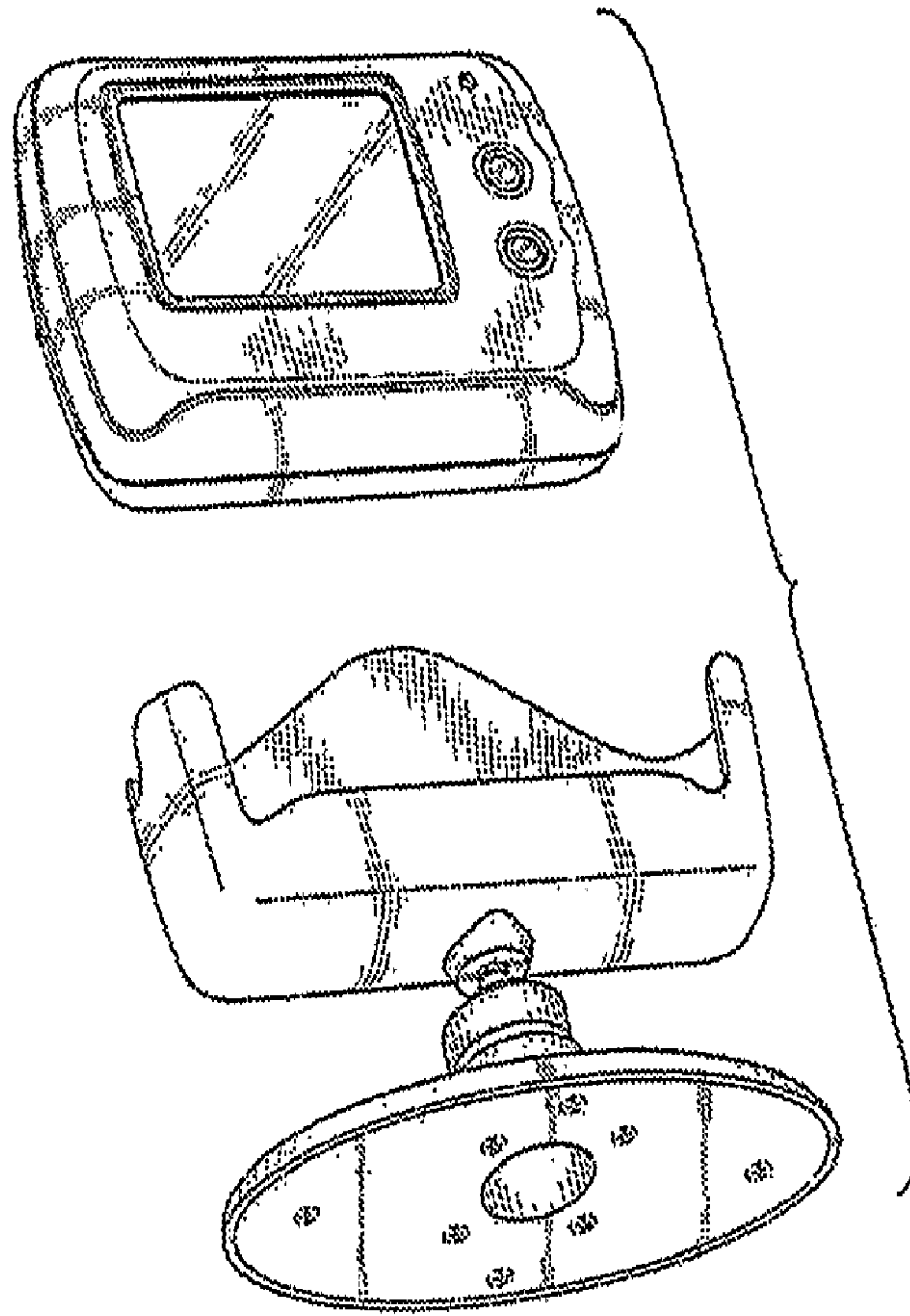


FIG. 2

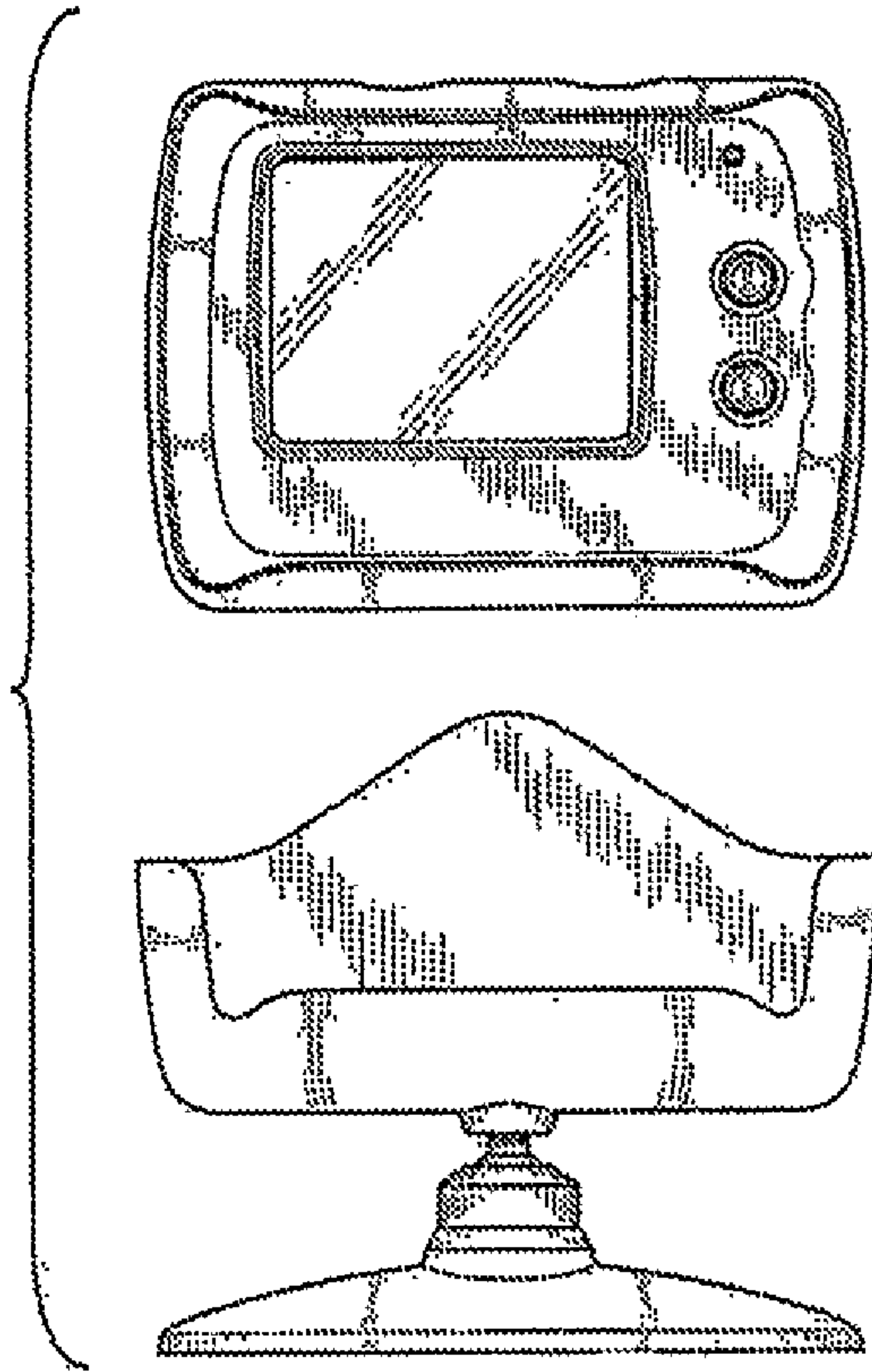


FIG. 3

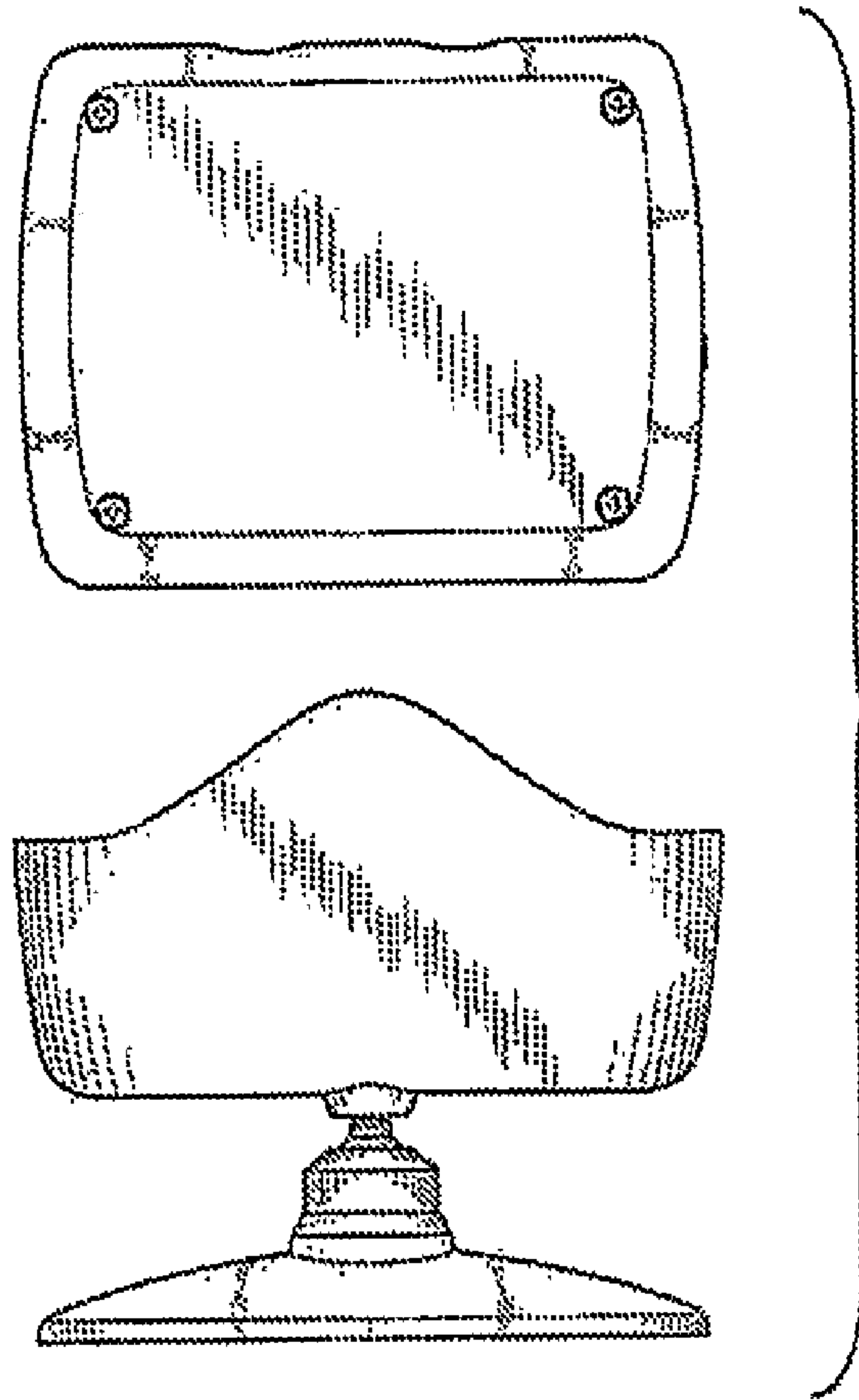


FIG. 4



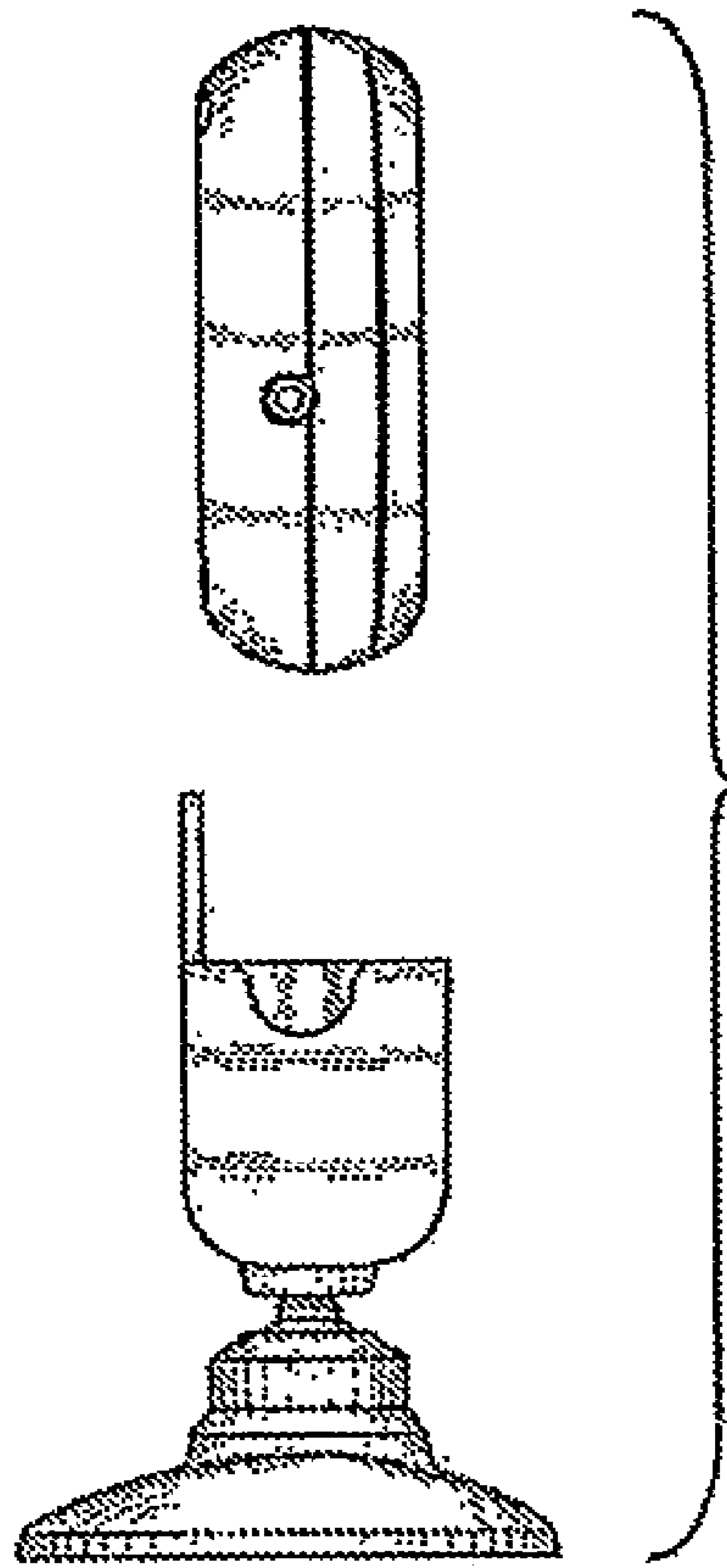


FIG. 5

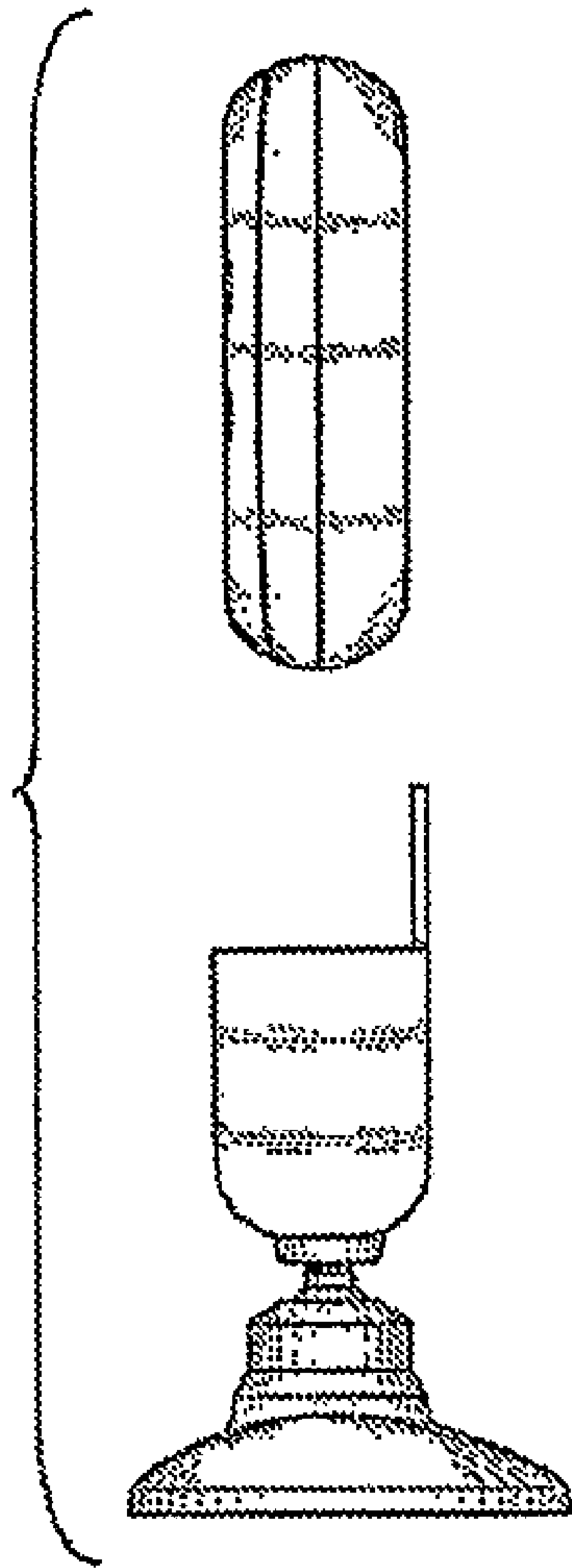


FIG. 6

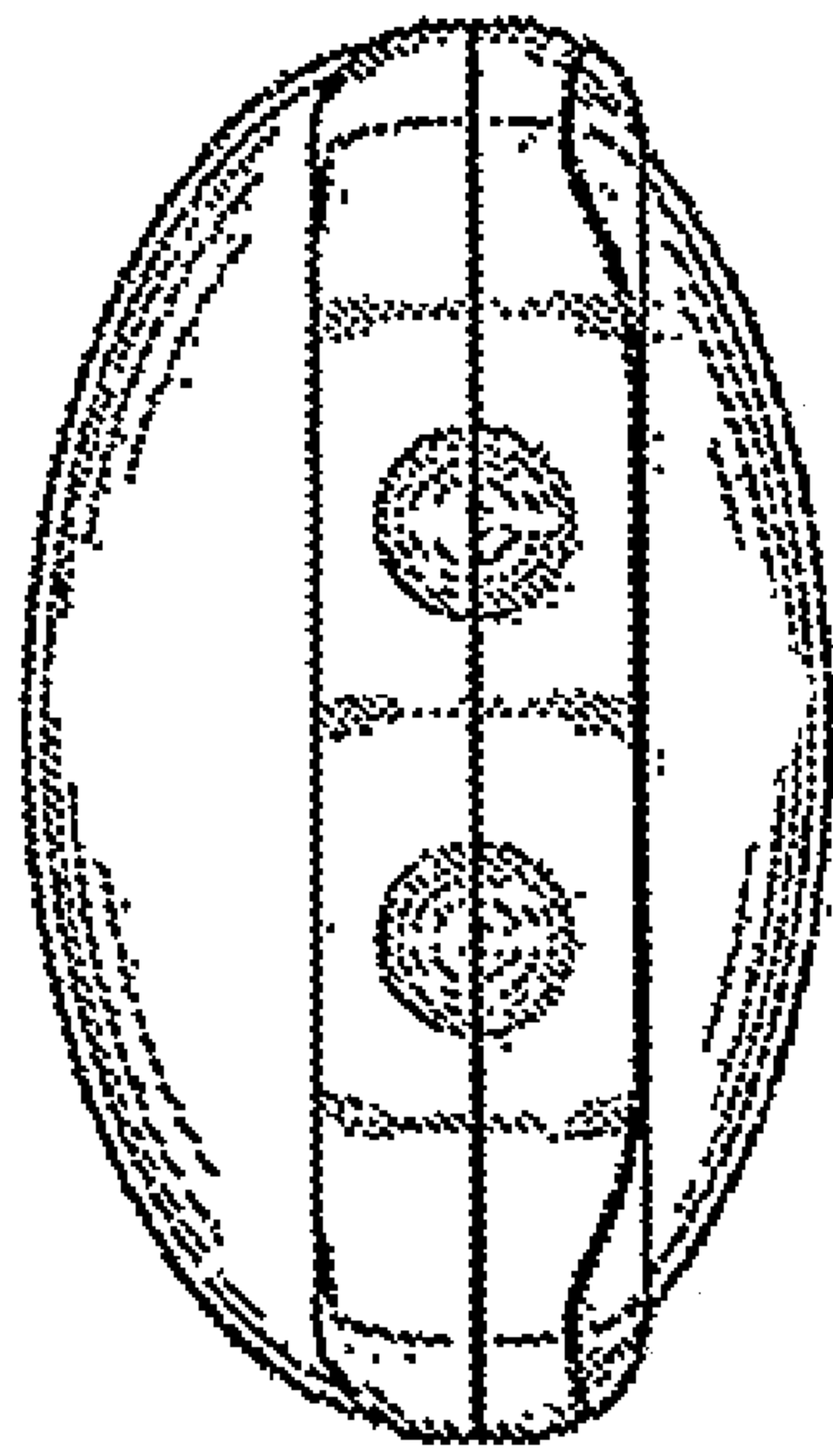


FIG. 7

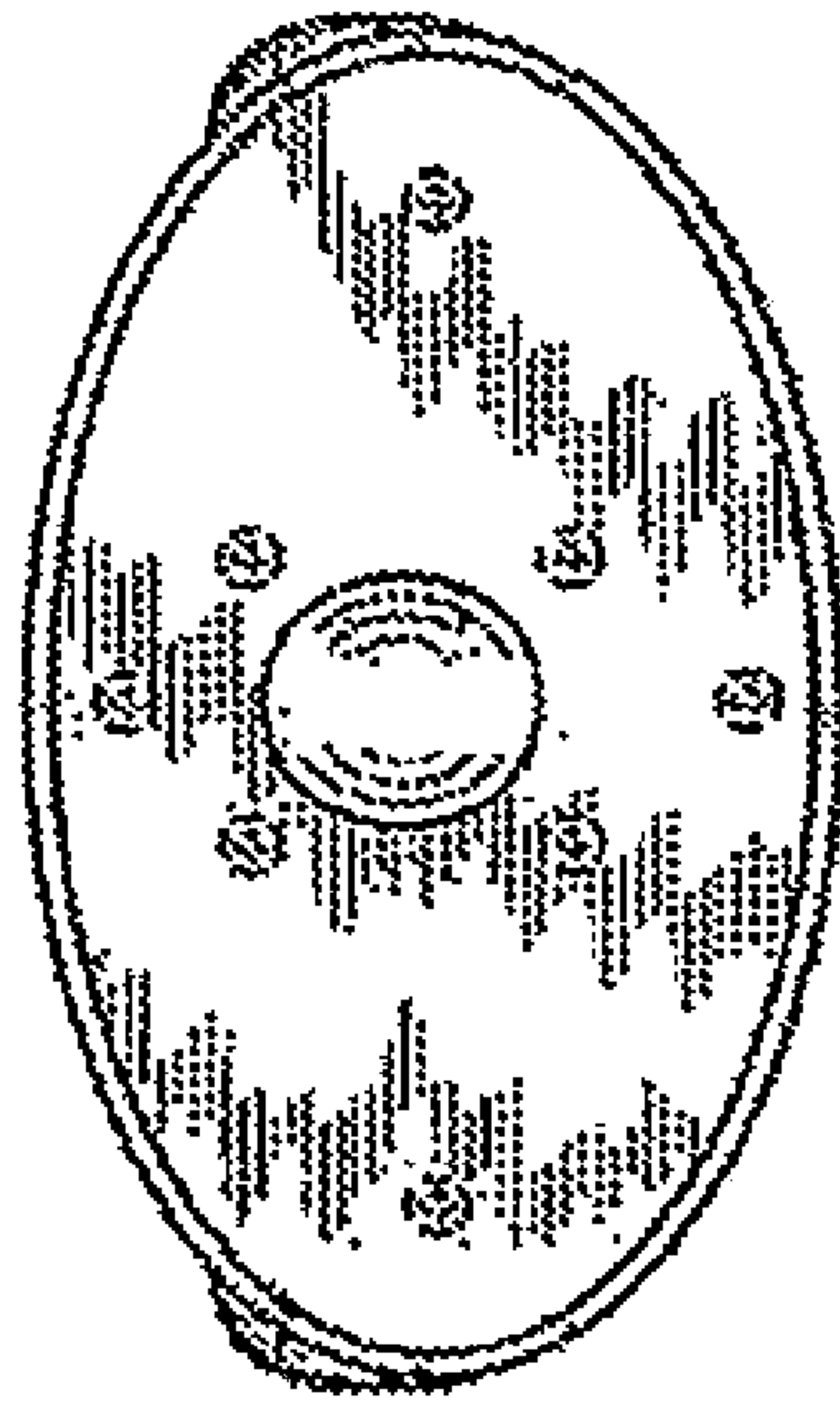


FIG. 8