



US00D536015S

(12) **United States Design Patent**
Hanafusa

(10) **Patent No.:** **US D536,015 S**

(45) **Date of Patent:** **** Jan. 30, 2007**

(54) **DIGITAL CAMERA**

(75) Inventor: **Norihito Hanafusa**, Tokyo (JP)

(73) Assignee: **Casio Keisanki Kabushiki Kaisha**,
Tokyo (JP)

(**) Term: **14 Years**

(21) Appl. No.: **29/233,038**

(22) Filed: **Jun. 27, 2005**

(51) **LOC (8) Cl.** **16-01**

(52) **U.S. Cl.** **D16/219; D16/202**

(58) **Field of Classification Search** D16/200–206,
D16/208, 209, 218, 219, 243; 348/373–376;
358/909.1; 396/535–541

See application file for complete search history.

(56) **References Cited**

U.S. PATENT DOCUMENTS

- D385,569 S * 10/1997 Takimura D16/202
- D386,183 S * 11/1997 Katayama D16/209
- D452,260 S * 12/2001 Petravac et al. D16/243
- 6,434,337 B1 * 8/2002 Misawa 358/909.1

- D506,491 S * 6/2005 Takahashi D16/219
- D524,351 S * 7/2006 Haga D16/219

* cited by examiner

Primary Examiner—Adir Aronovich

(74) *Attorney, Agent, or Firm*—Frishauf, Holtz, Goodman
& Chick, P.C.

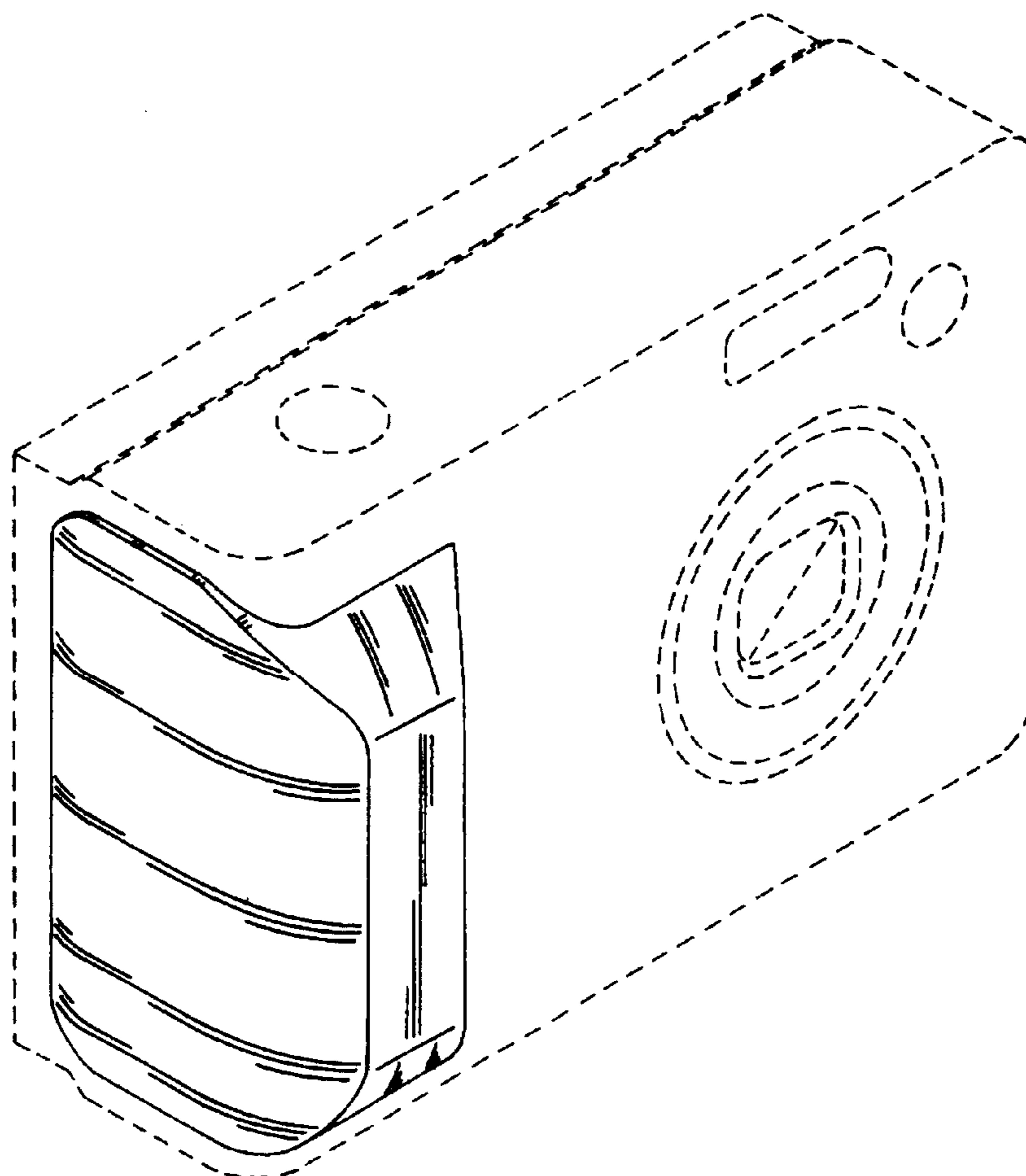
(57) **CLAIM**

The ornamental design for a digital camera, as shown and described.

DESCRIPTION

FIG. 1 is a reduced scale front, left side, top perspective view of a digital camera showing my new design; FIG. 2 is a front elevational view thereof; FIG. 3 is a rear elevational view thereof; FIG. 4 is a left side view thereof; FIG. 5 is a right side view thereof; FIG. 6 is a top plan view thereof; and, FIG. 7 is a bottom plan view thereof. The broken line showings are for illustrative purposes only and form no part of the claimed design.

1 Claim, 6 Drawing Sheets



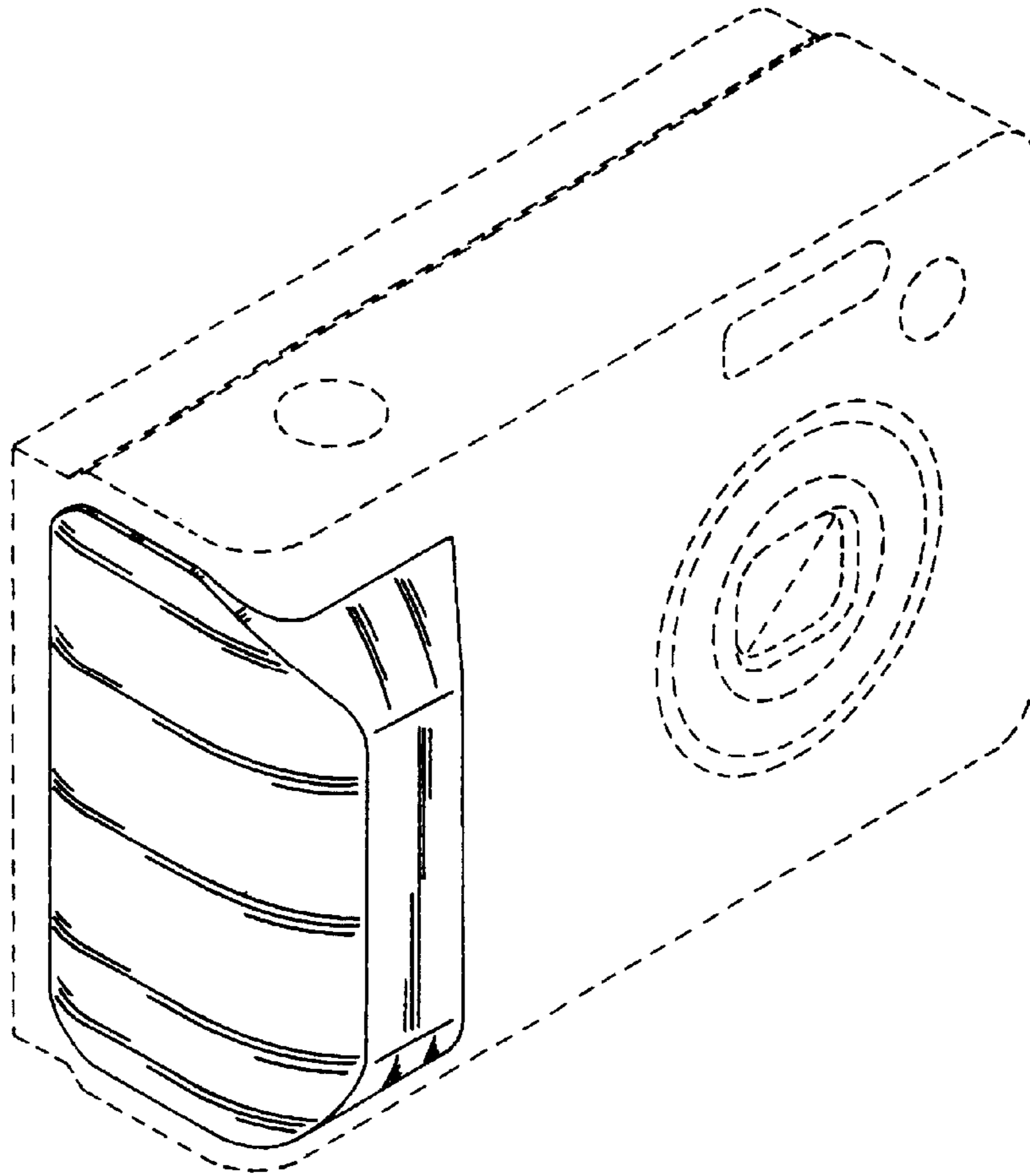


FIG. 1

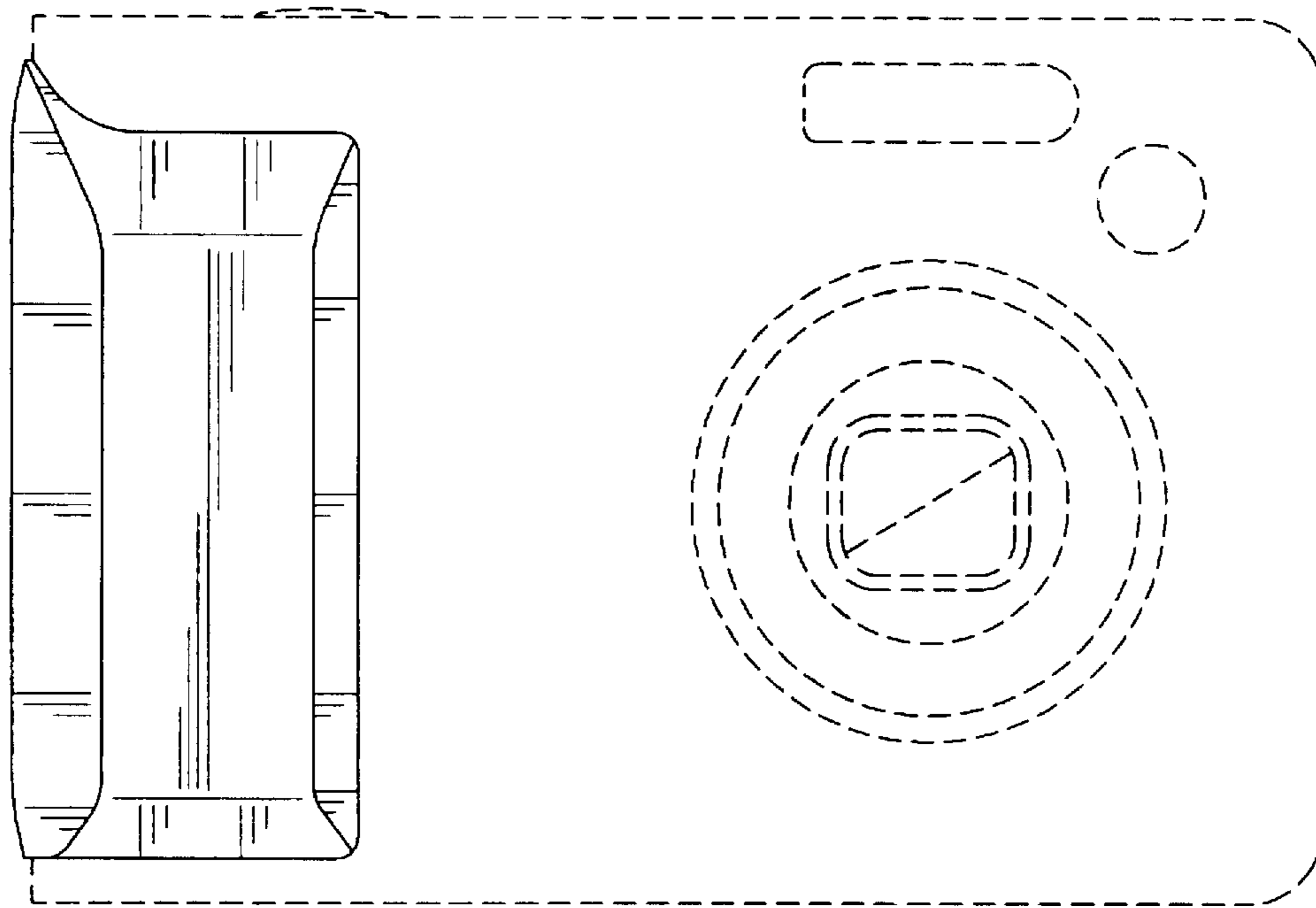


FIG. 2

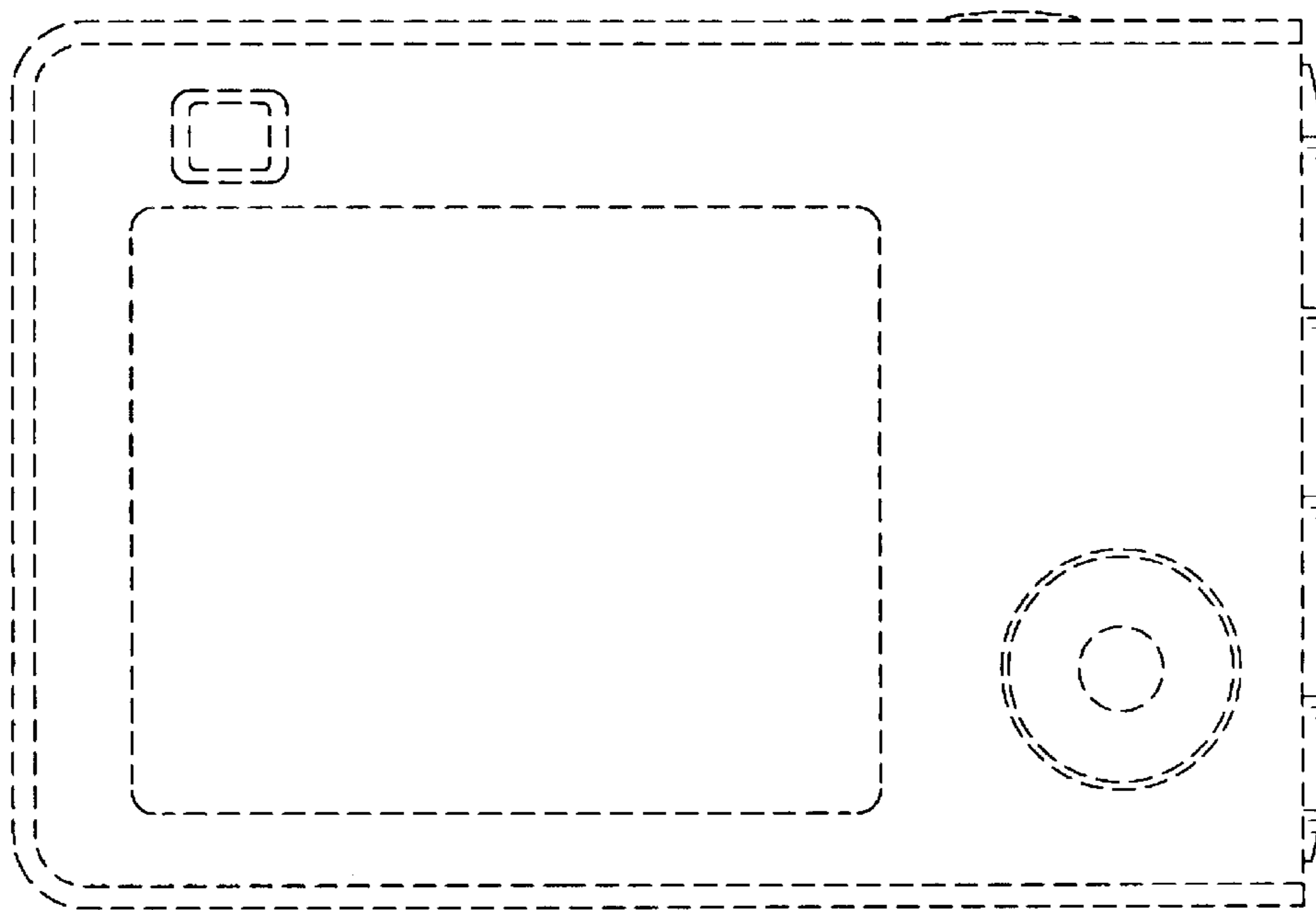


FIG. 3

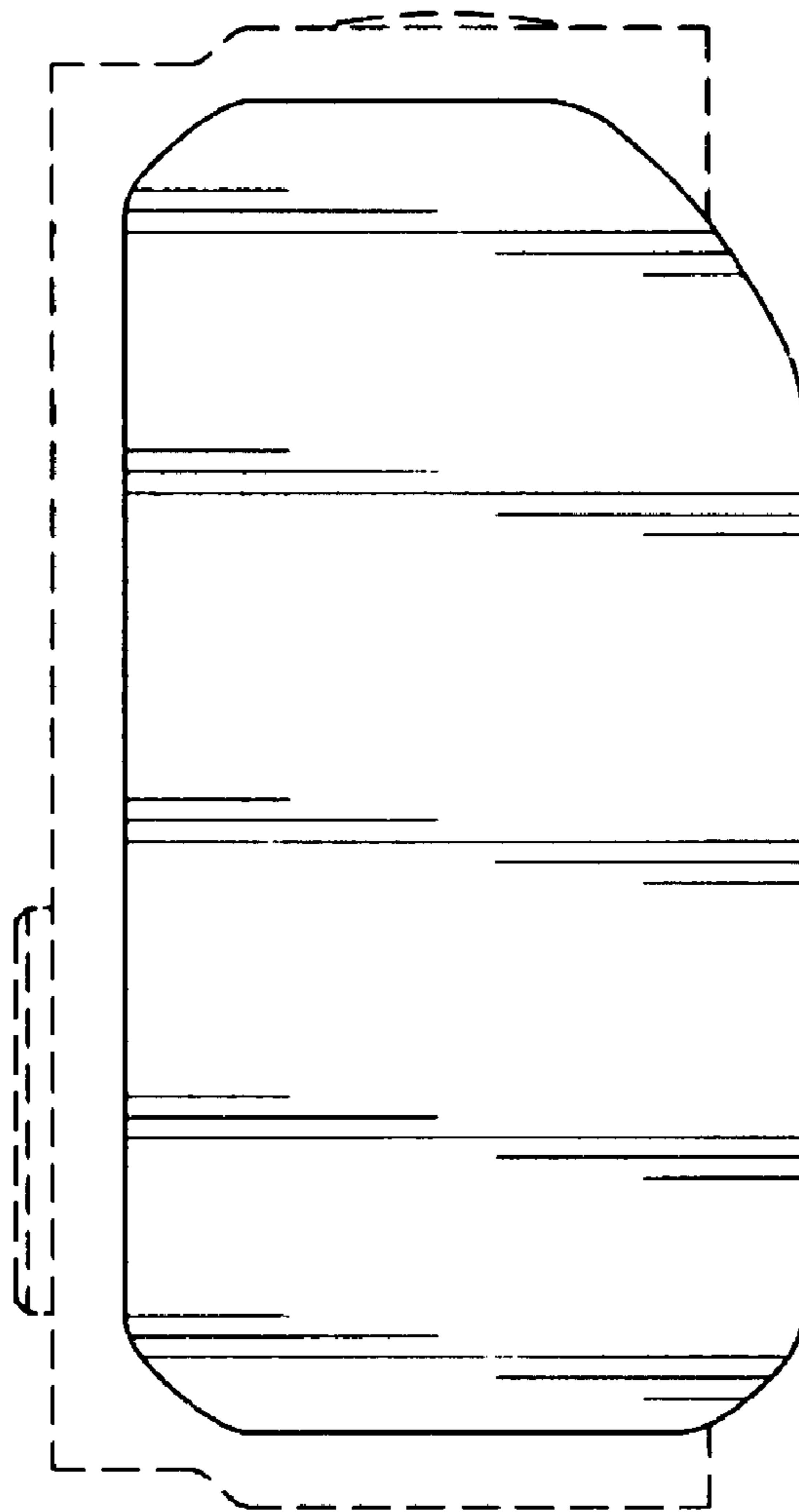


FIG. 4

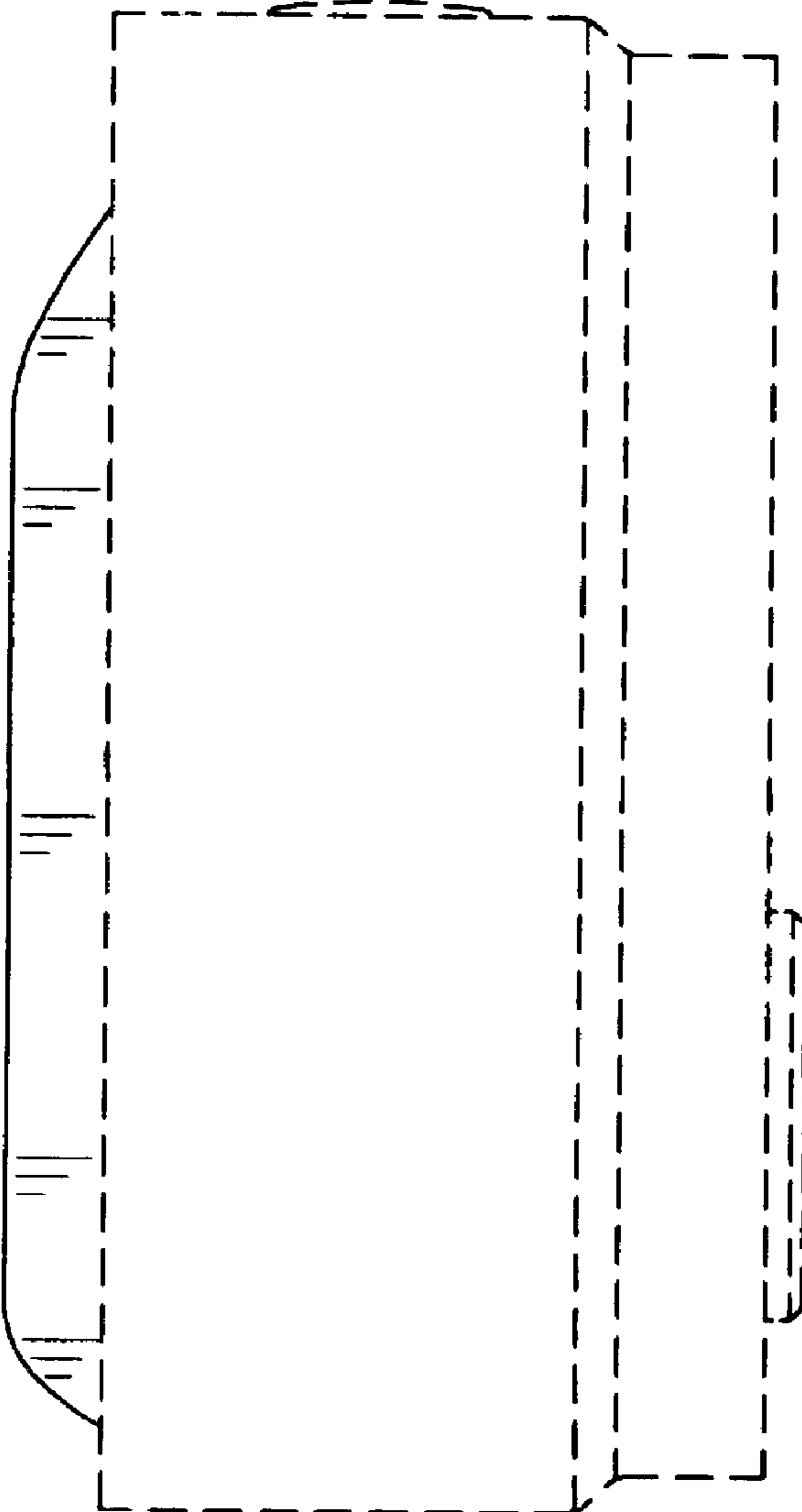


FIG. 5

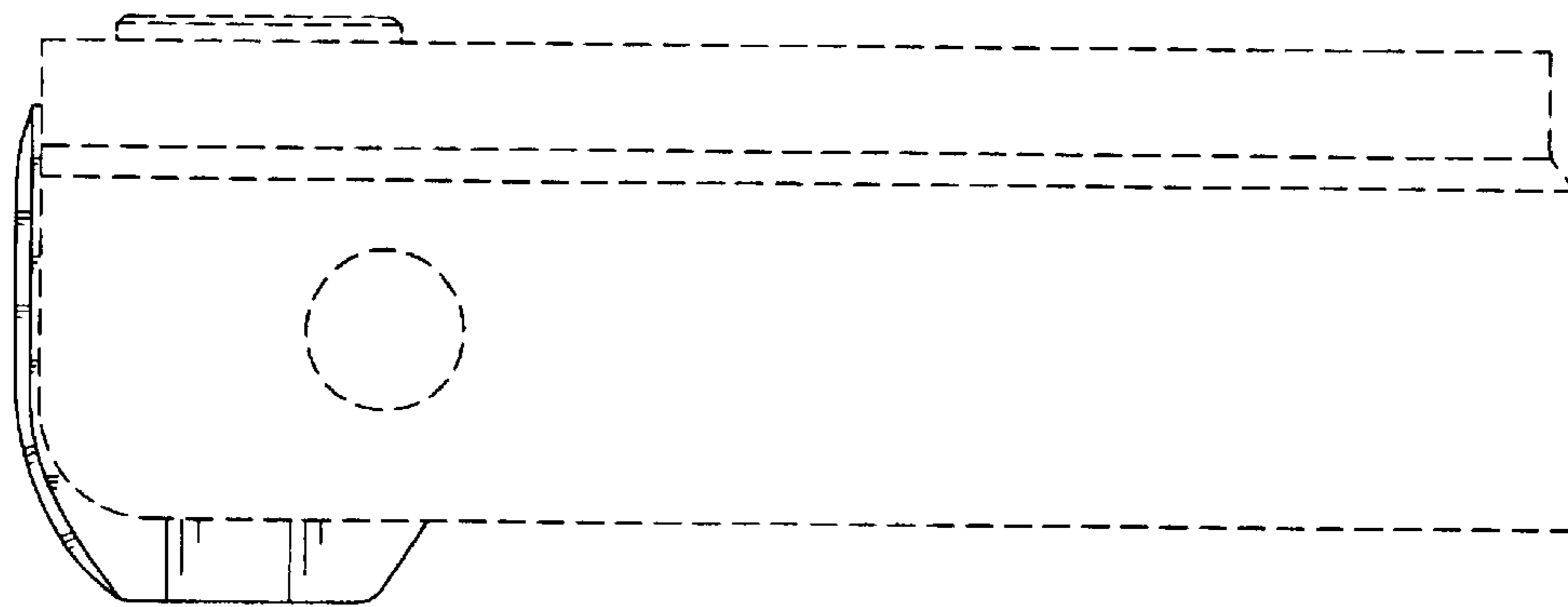


FIG. 6

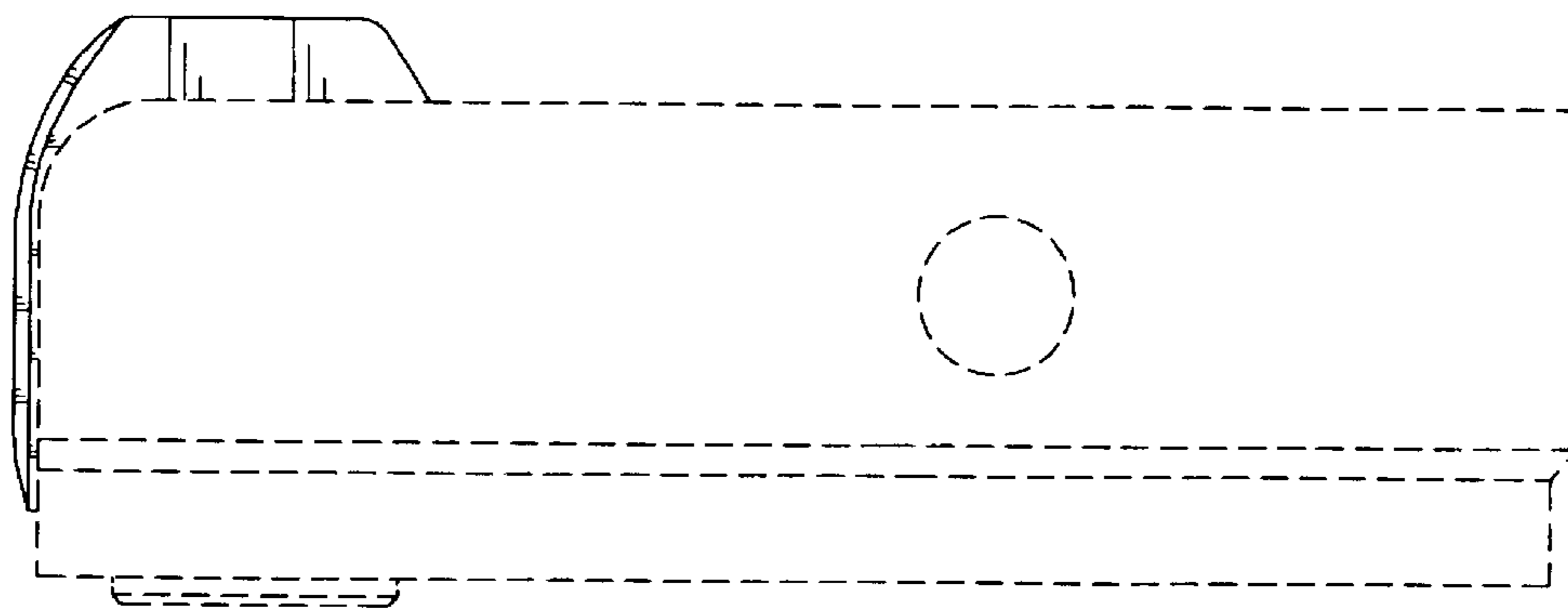


FIG. 7