



US00D536014S

(12) **United States Design Patent**
Ishii

(10) **Patent No.:** **US D536,014 S**
(45) **Date of Patent:** **** Jan. 30, 2007**

(54) **COMBINED VIDEO CAMERA AND DISC RECORDER**

(75) Inventor: **Daisuke Ishii**, Tokyo (JP)

(73) Assignee: **Sony Corporation**, Tokyo (JP)

(**) Term: **14 Years**

(21) Appl. No.: **29/232,920**

(22) Filed: **Jun. 27, 2005**

(30) **Foreign Application Priority Data**

Dec. 27, 2004 (JP) D2004-040023

(51) **LOC (8) Cl.** **16-05**

(52) **U.S. Cl.** **D16/219; D16/208; D14/168**

(58) **Field of Classification Search** D14/156,
D14/168; D16/200-205, 208, 218, 219; 348/373-376;
358/909.1; 396/429, 535, 536-541
See application file for complete search history.

(56) **References Cited**

U.S. PATENT DOCUMENTS

D399,506 S	10/1998	Takahashi et al.	
D409,191 S	5/1999	Masamitsu	
D428,038 S	* 7/2000	Suto D16/219
D432,109 S	10/2000	Masamitsu et al.	
D435,543 S	12/2000	Nakamura	

6,287,028 B1	*	9/2001	Silverbrook	396/429
D458,249 S		6/2002	Hayashi		
D477,297 S		7/2003	Matsuoka		
D484,520 S	*	12/2003	Jin	D16/202
D502,202 S	*	2/2005	Mitsuse	D16/219
D505,937 S		6/2005	Komiyama		
D508,933 S	*	8/2005	Kaneda	D16/203

* cited by examiner

Primary Examiner—Adir Aronovich

(74) *Attorney, Agent, or Firm*—Rader, Fishman & Grauer PLLC

(57) **CLAIM**

The ornamental design for a combined video camera and disc recorder, as shown and described.

DESCRIPTION

FIG. 1 is a perspective view of a combined video camera and disc recorder showing my new design; FIG. 2 is a front elevational view thereof; FIG. 3 is a right side elevational view thereof; FIG. 4 is a top plan view thereof; and, FIG. 5 is a bottom plan view thereof. Portions of FIGS. 1-5 that are shown as broken lines are for illustrative purpose only and form no part of the claimed design.

1 Claim, 5 Drawing Sheets

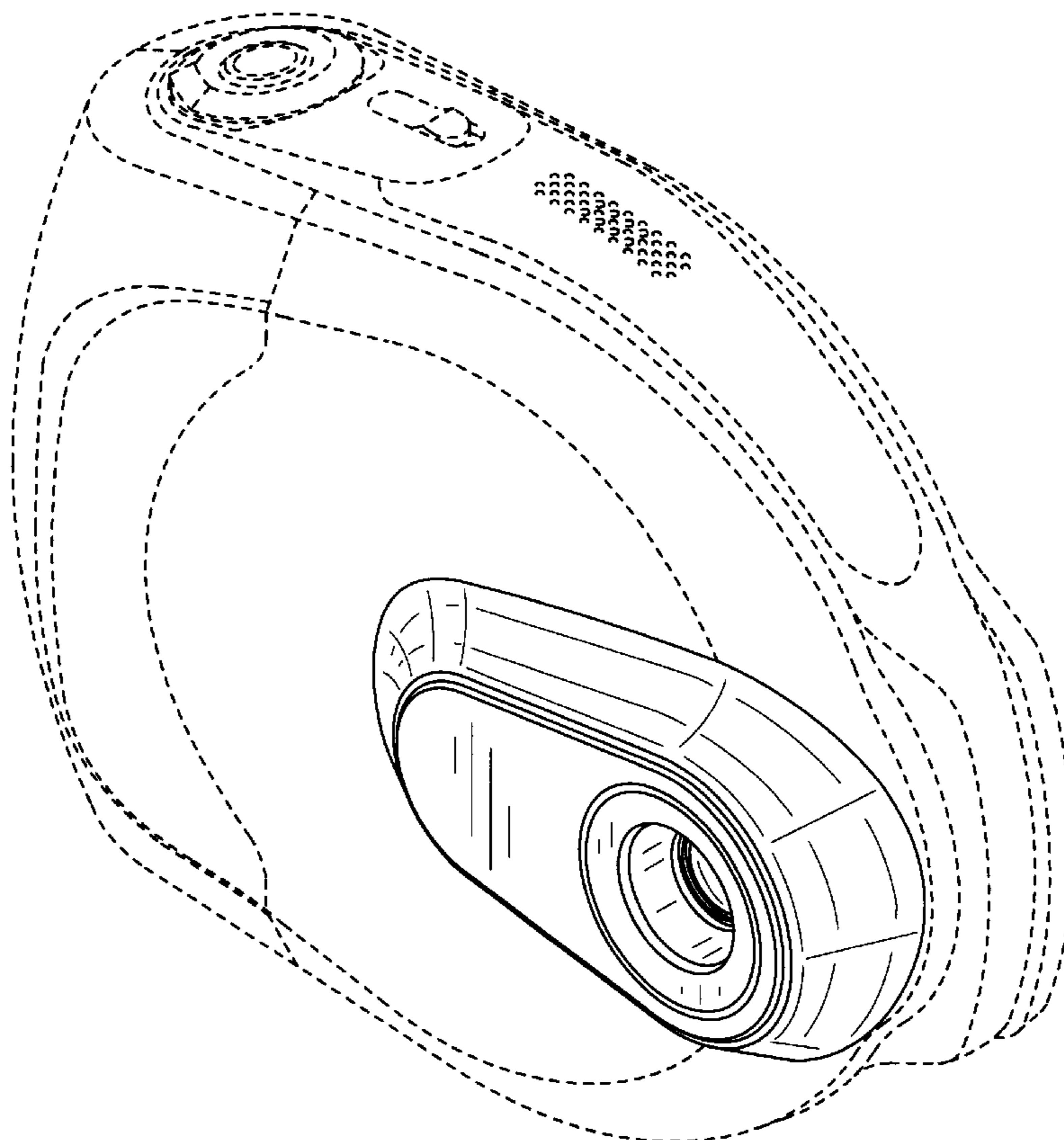


Fig. 1

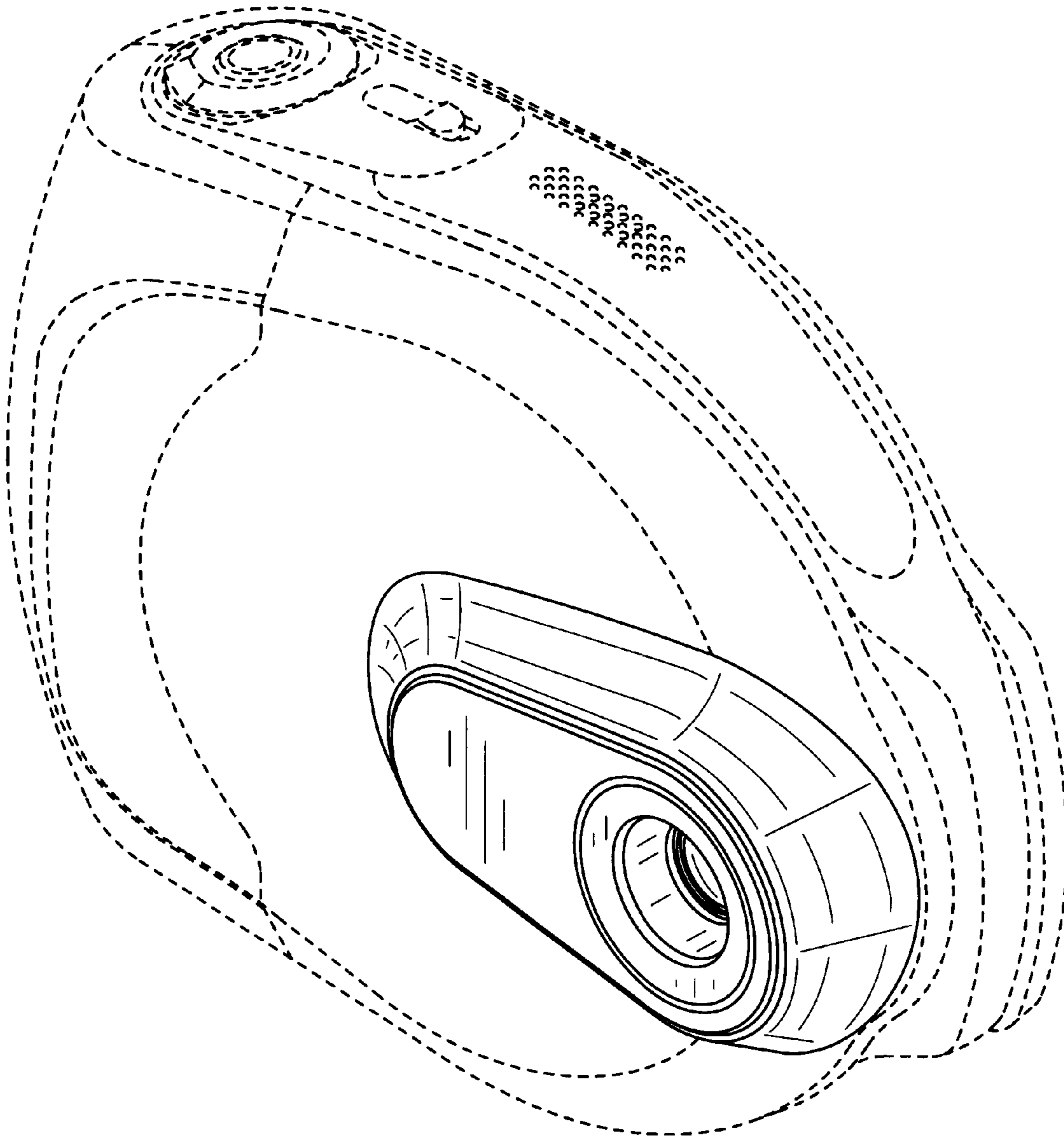


Fig.2

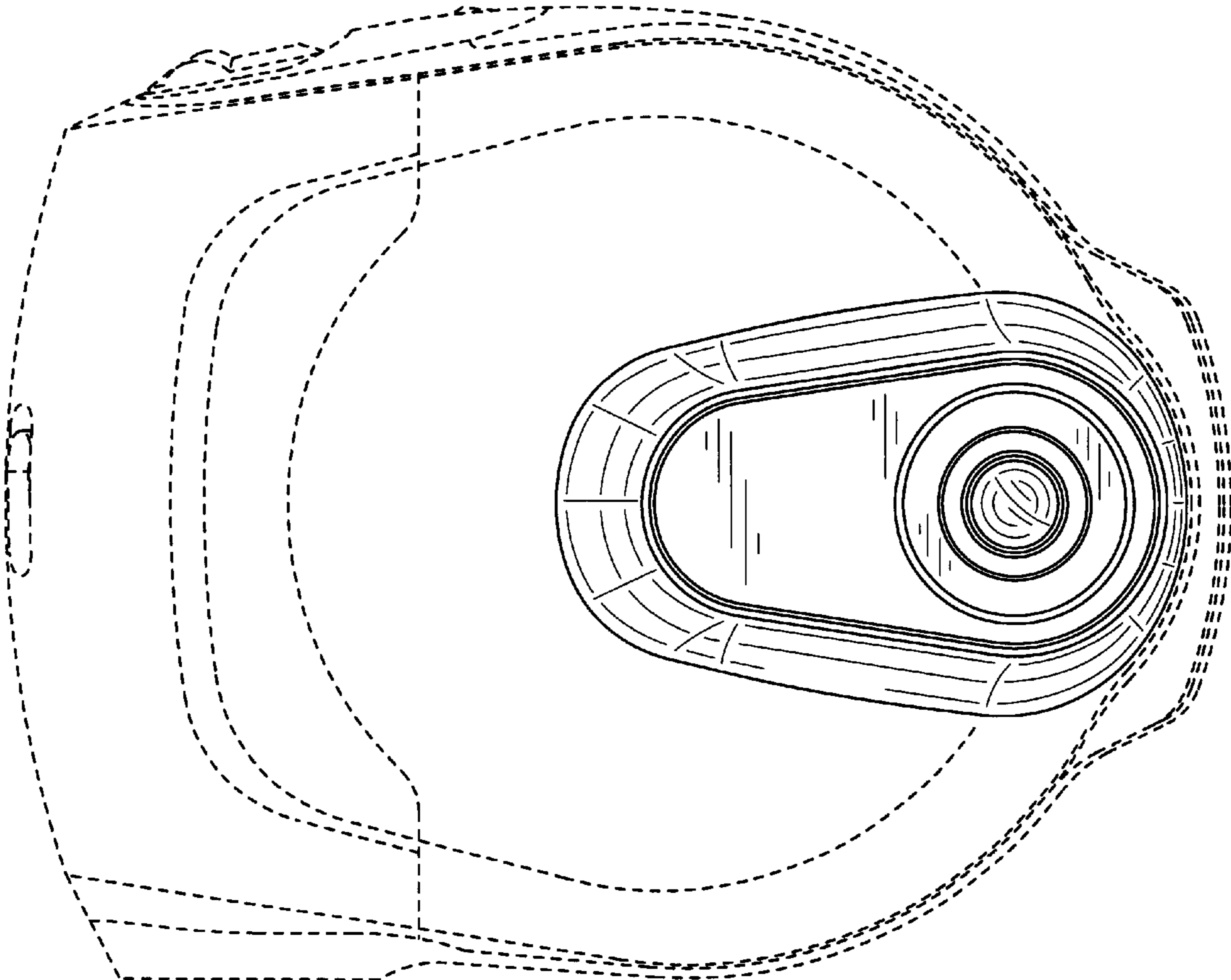


Fig.3

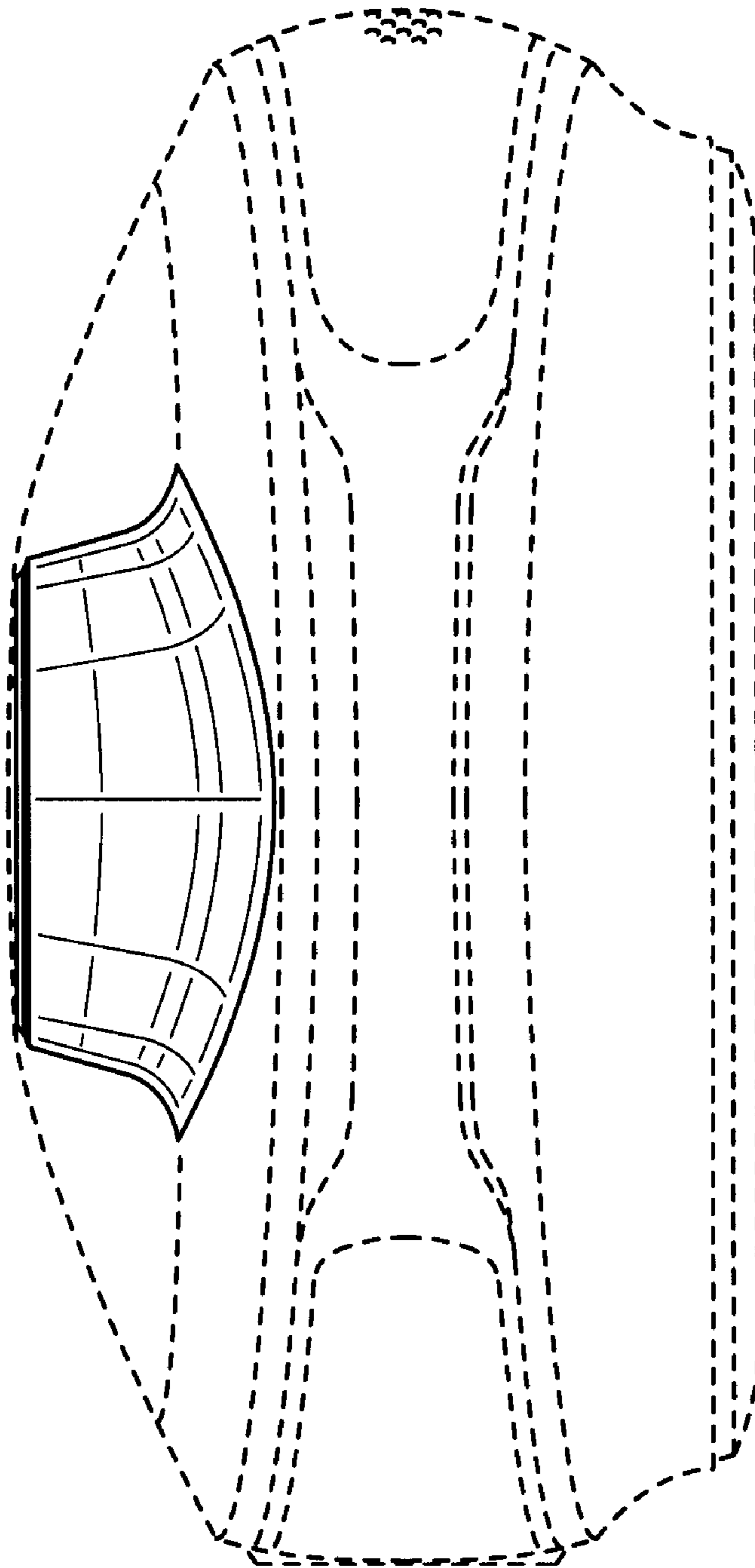


Fig.4

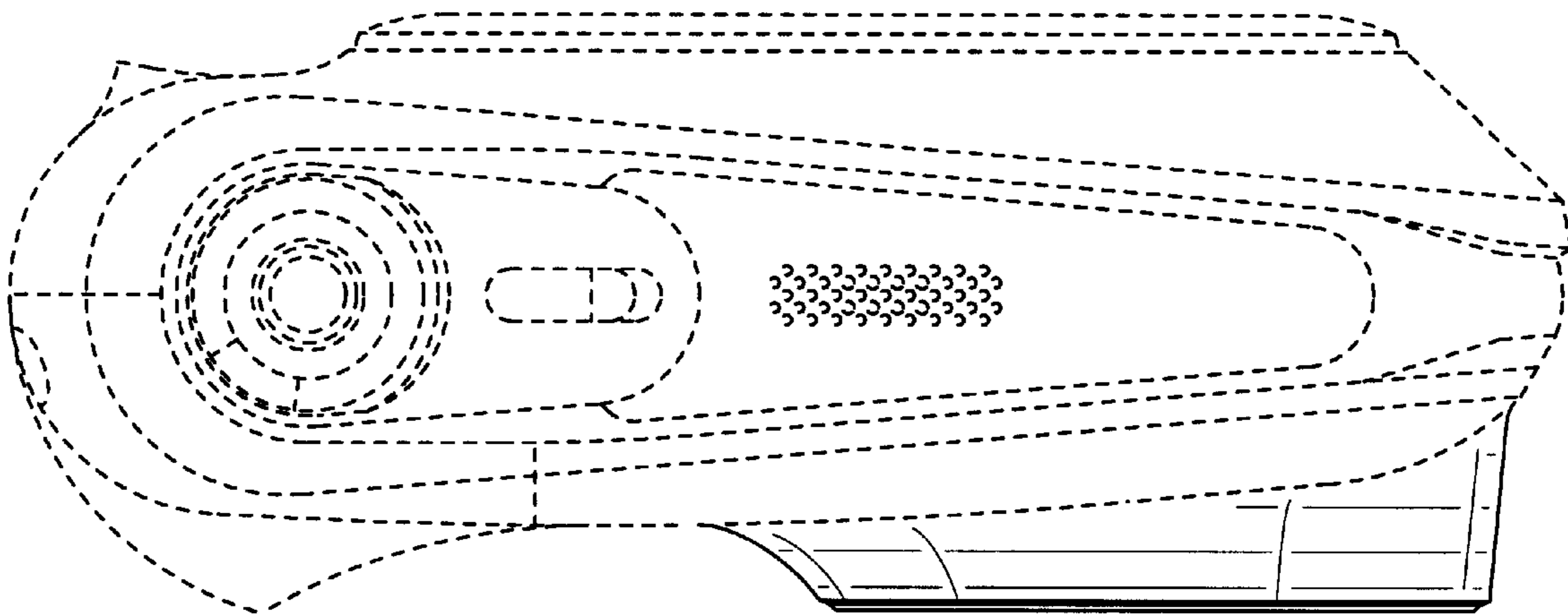


Fig.5

