



US00D536012S

(12) **United States Design Patent**
Dayan

(10) **Patent No.:** **US D536,012 S**
(45) **Date of Patent:** **** Jan. 30, 2007**

(54) **BACK-UP CAMERA**

(75) Inventor: **Maurice S. Dayan**, Oakhurst, NJ (US)

(73) Assignee: **Intellectual Solutions, Inc.**

(**) Term: **14 Years**

(21) Appl. No.: **29/258,863**

(22) Filed: **Apr. 28, 2006**

(51) **LOC (8) Cl.** **16-01**

(52) **U.S. Cl.** **D16/208; D16/242; D14/129**

(58) **Field of Classification Search** D14/126,
D14/129, 334, 336; D16/200-204, 208, 211,
D16/218, 237, 242; 248/176.1, 917, 918;
340/436; 348/118, 148, 152; 396/419, 429,
396/535, 540, 541

See application file for complete search history.

(56) **References Cited**

U.S. PATENT DOCUMENTS

D373,580 S	9/1996	Nakada	
5,574,443 A	* 11/1996	Hsieh	348/118
D388,450 S	12/1997	Hamano	
D425,558 S	5/2000	Tarpenning	
6,175,300 B1	* 1/2001	Kendrick	340/436
D451,097 S	11/2001	Schmeisser	
D451,505 S	12/2001	Iseki	
D454,146 S	* 3/2002	Mori	D16/211
D463,432 S	9/2002	Bruckner	
D470,140 S	2/2003	Lin	
D481,057 S	10/2003	Brady	
D483,361 S	12/2003	Yao	
D484,131 S	12/2003	Olson	
D484,161 S	* 12/2003	Mendoza	D16/208
D485,234 S	* 1/2004	Katayama	D16/237
D487,104 S	* 2/2004	Obata	D16/218

D487,762 S	3/2004	Huang	
D494,970 S	8/2004	Chen	
D504,890 S	5/2005	Sung	
D506,195 S	6/2005	Leveridge	
D508,034 S	8/2005	Liao	
D508,710 S	8/2005	Nagai	
D508,934 S	8/2005	Nagai	
D510,576 S	10/2005	Summit	
D514,558 S	2/2006	Nagel	
D515,562 S	2/2006	Rodarte	
D522,473 S	* 6/2006	Lin	D14/126
2006/0061655 A1	* 3/2006	Wang	348/148

* cited by examiner

Primary Examiner—Adir Aronovich

(74) *Attorney, Agent, or Firm*—Wolf, Block, Schorr and Solis-Cohen LLP

(57) **CLAIM**

The ornamental design for a back-up camera, as shown and described.

DESCRIPTION

FIG. 1 is a top, front perspective view of a back-up camera showing my new design.

FIG. 2 is a bottom perspective view of the back-up camera of FIG. 1.

FIG. 3 is a front view of the back-up camera of FIG. 1.

FIG. 4 is a rear view of the back-up camera of FIG. 1.

FIG. 5 is a left-side view of the back-up camera of FIG. 1.

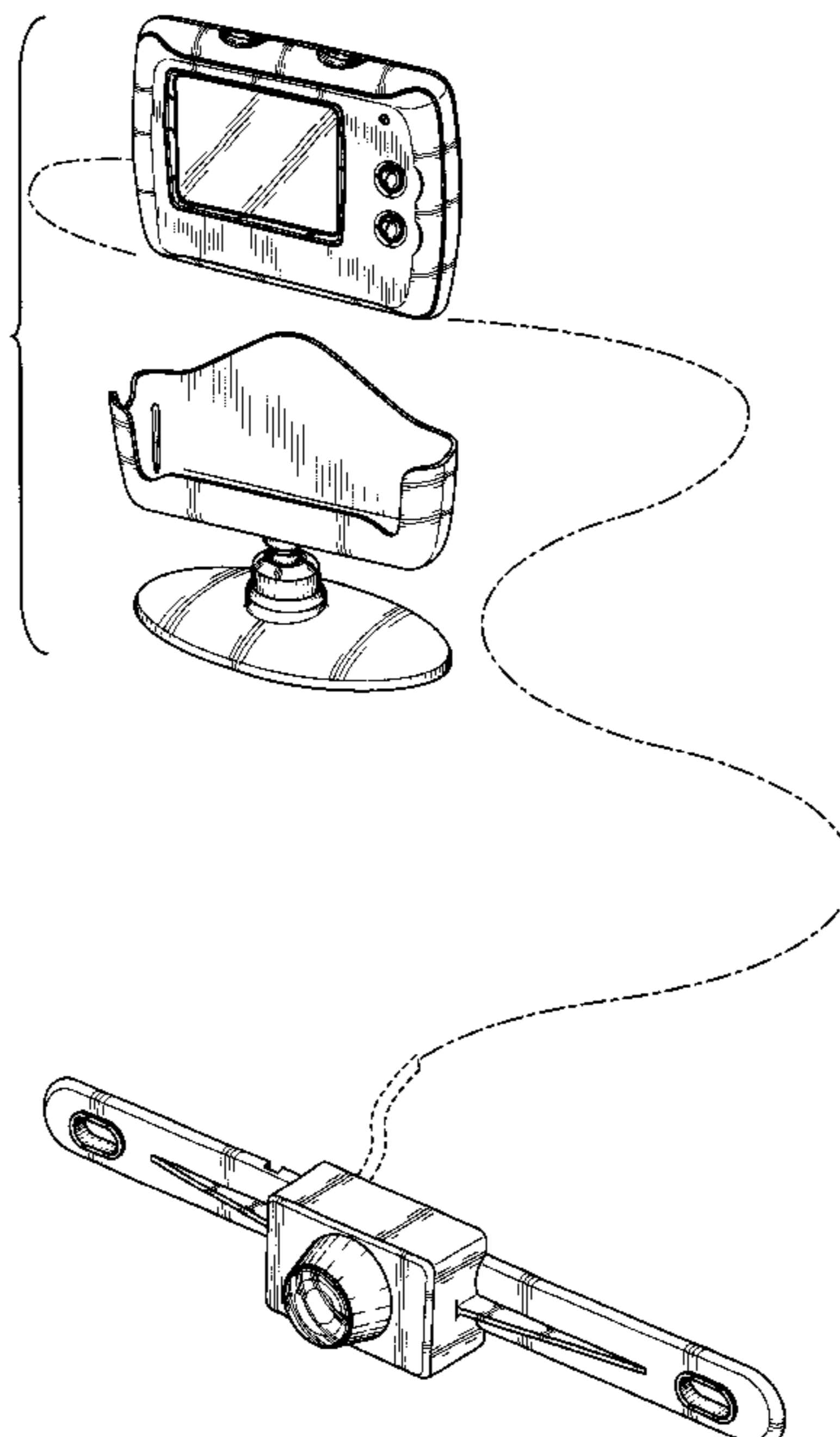
FIG. 6 is a right-side view of the back-up camera of FIG. 1.

FIG. 7 is a top view of the back-up camera of FIG. 1; and,

FIG. 8 is a bottom view of the back-up camera of FIG. 1.

The broken line showing of a cord is for illustrative purposes only and forms no part of the claimed design.

1 Claim, 8 Drawing Sheets



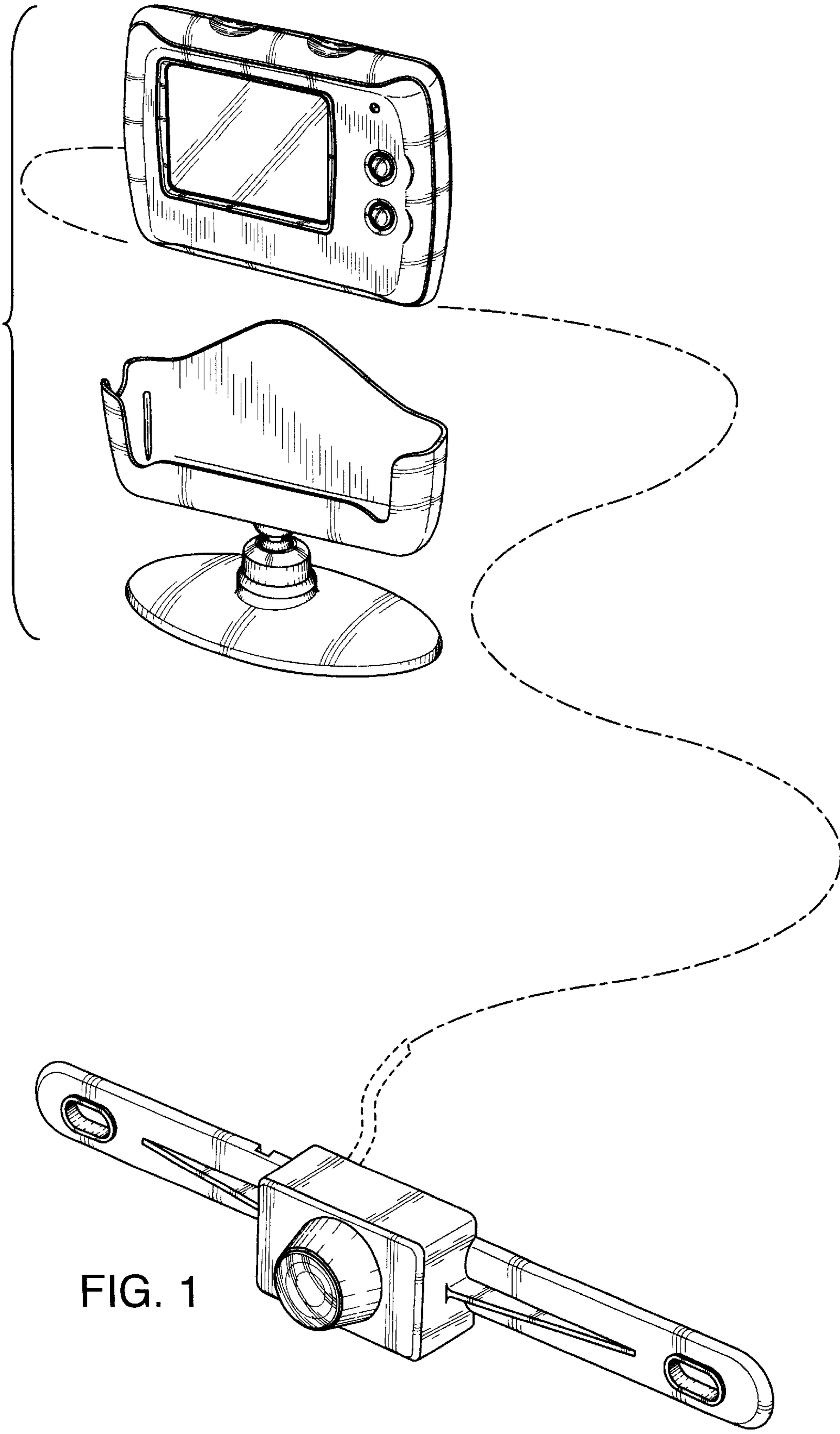


FIG. 1

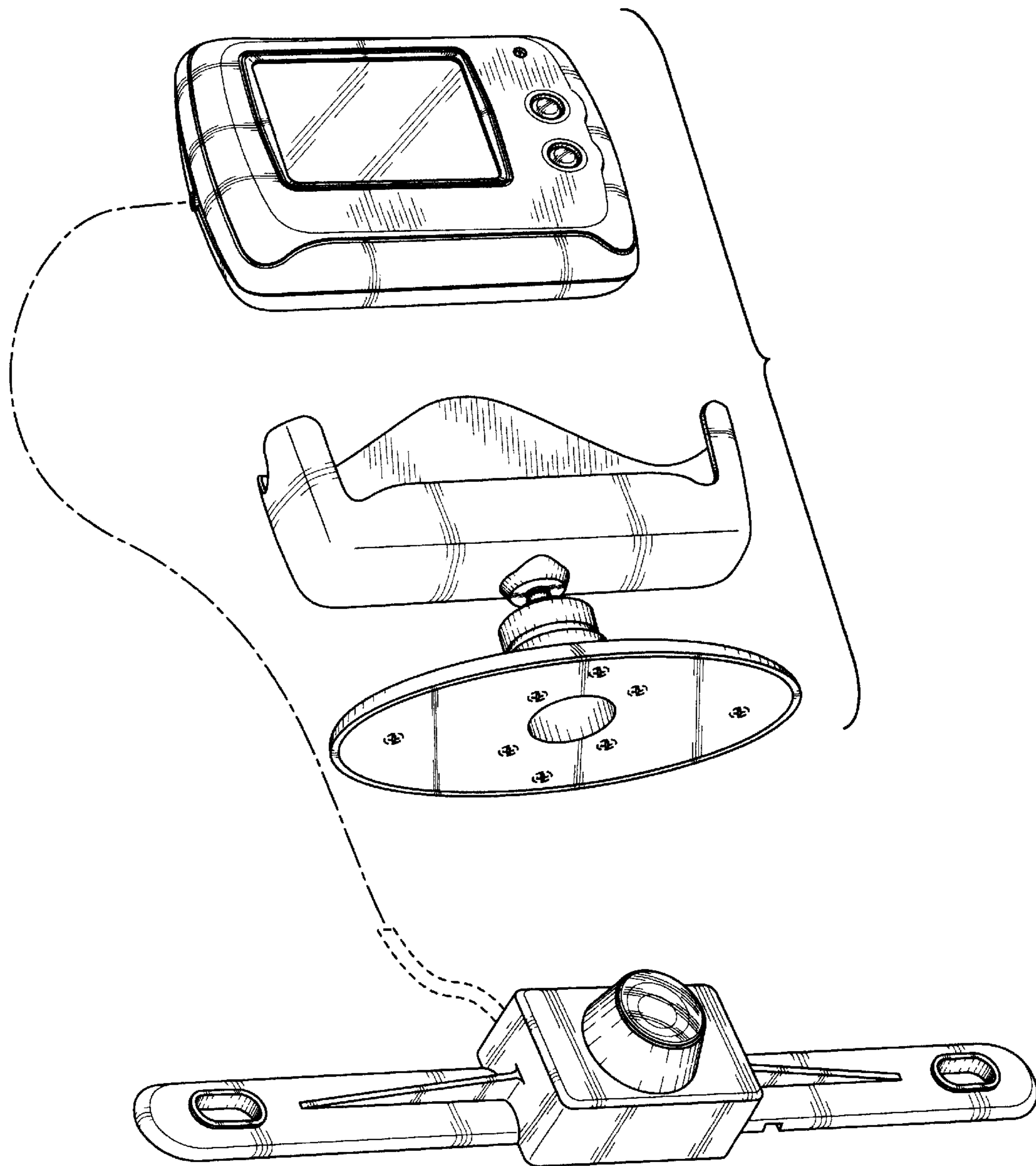


FIG. 2

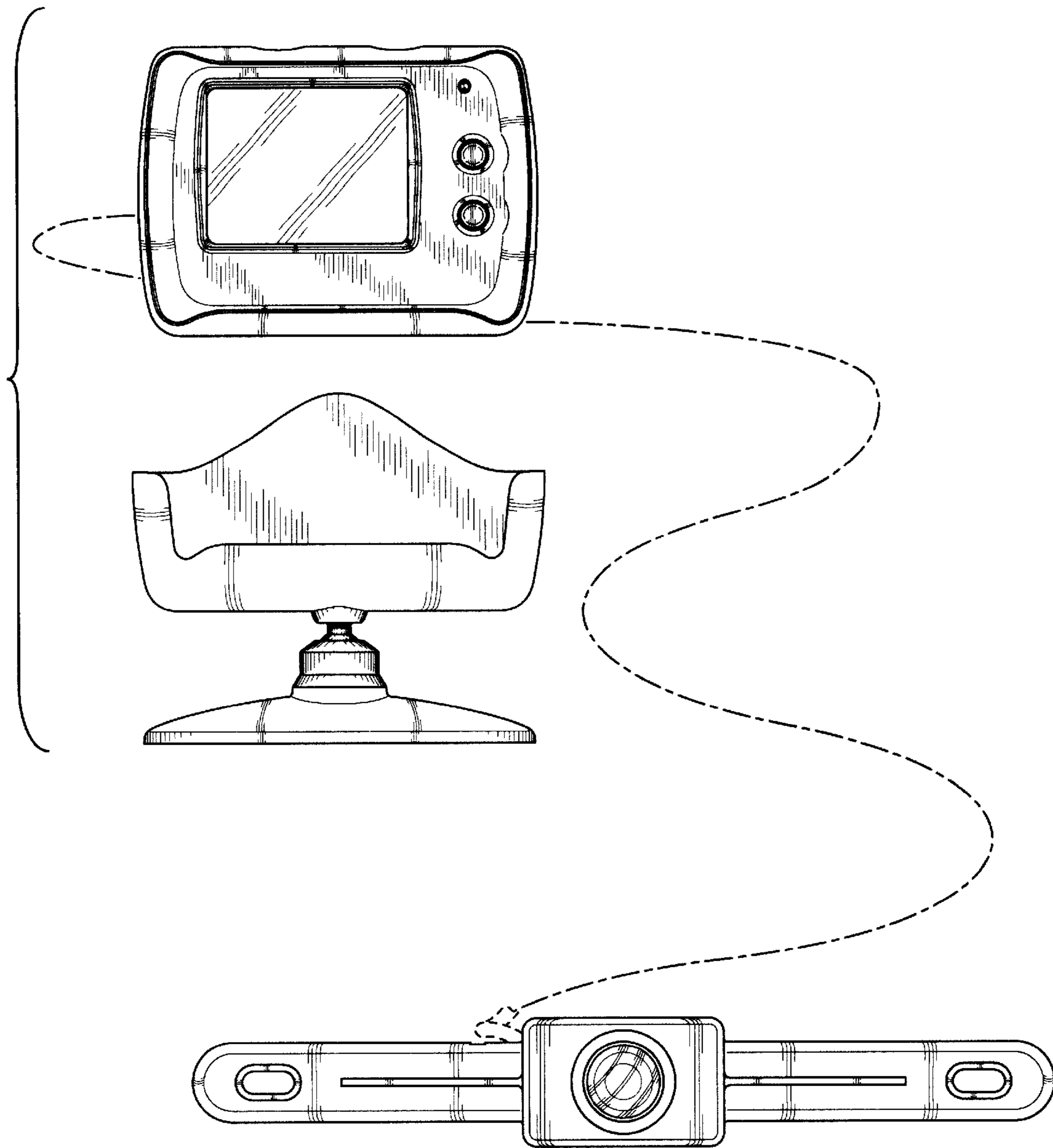


FIG. 3

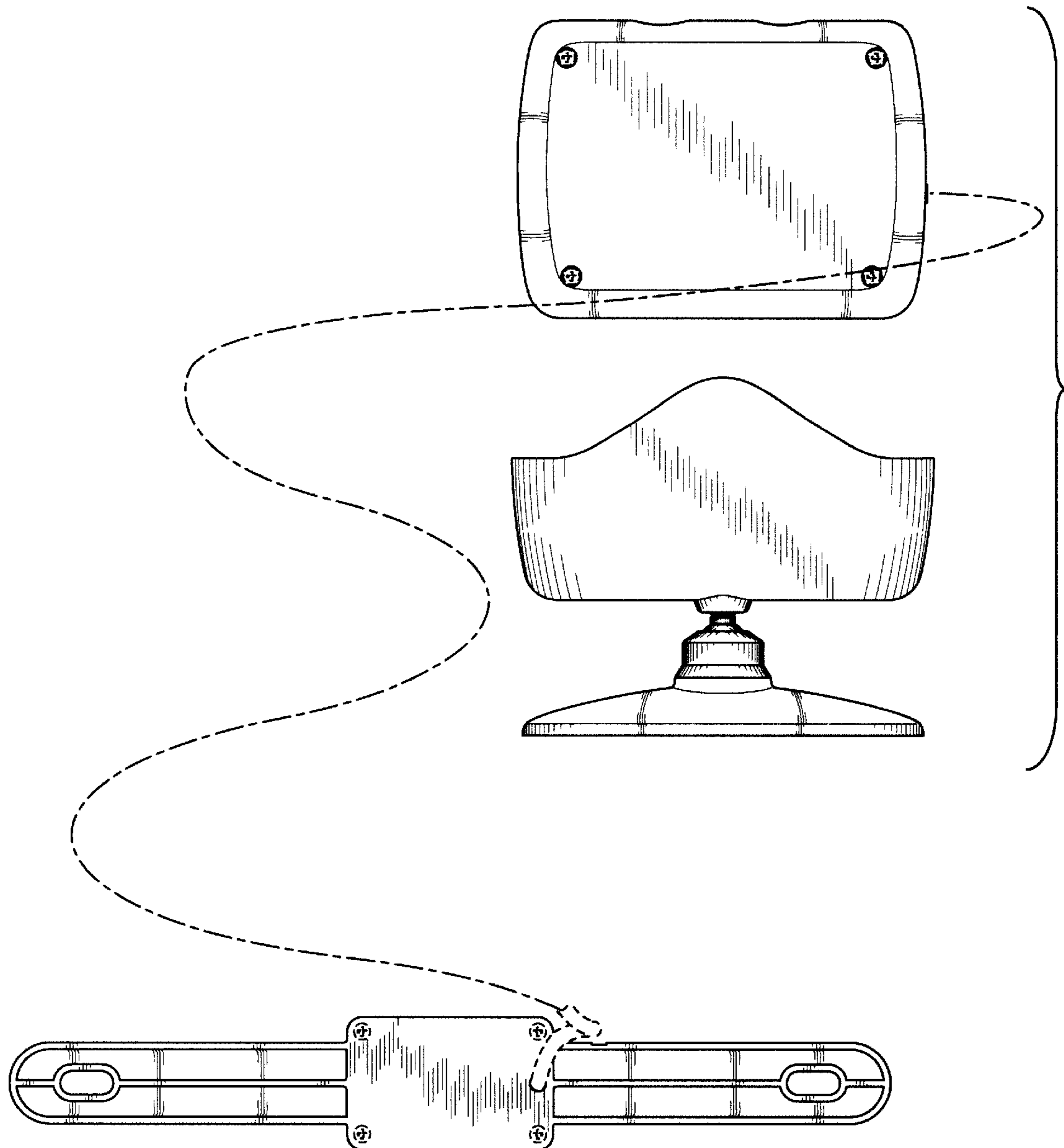


FIG. 4

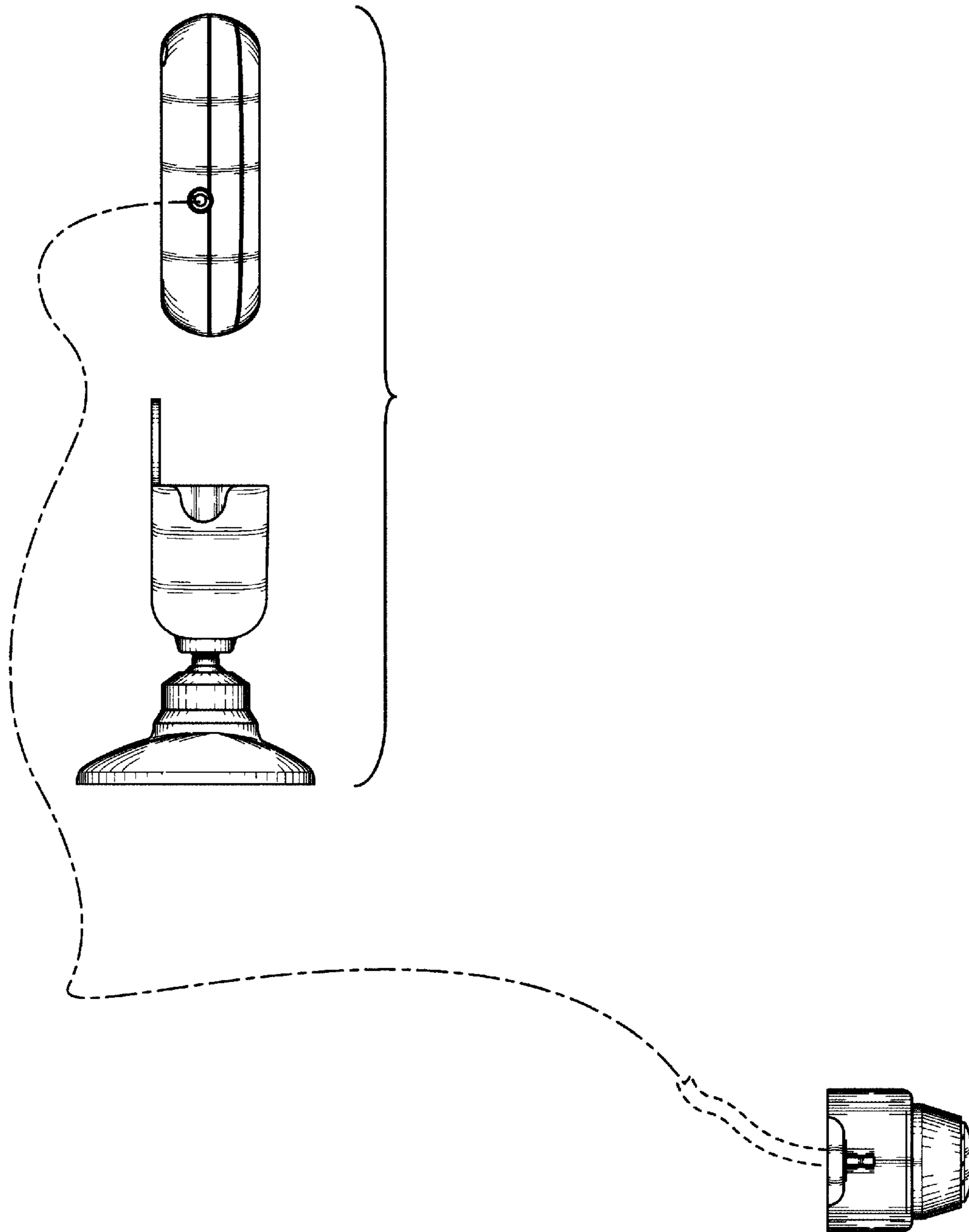


FIG. 5

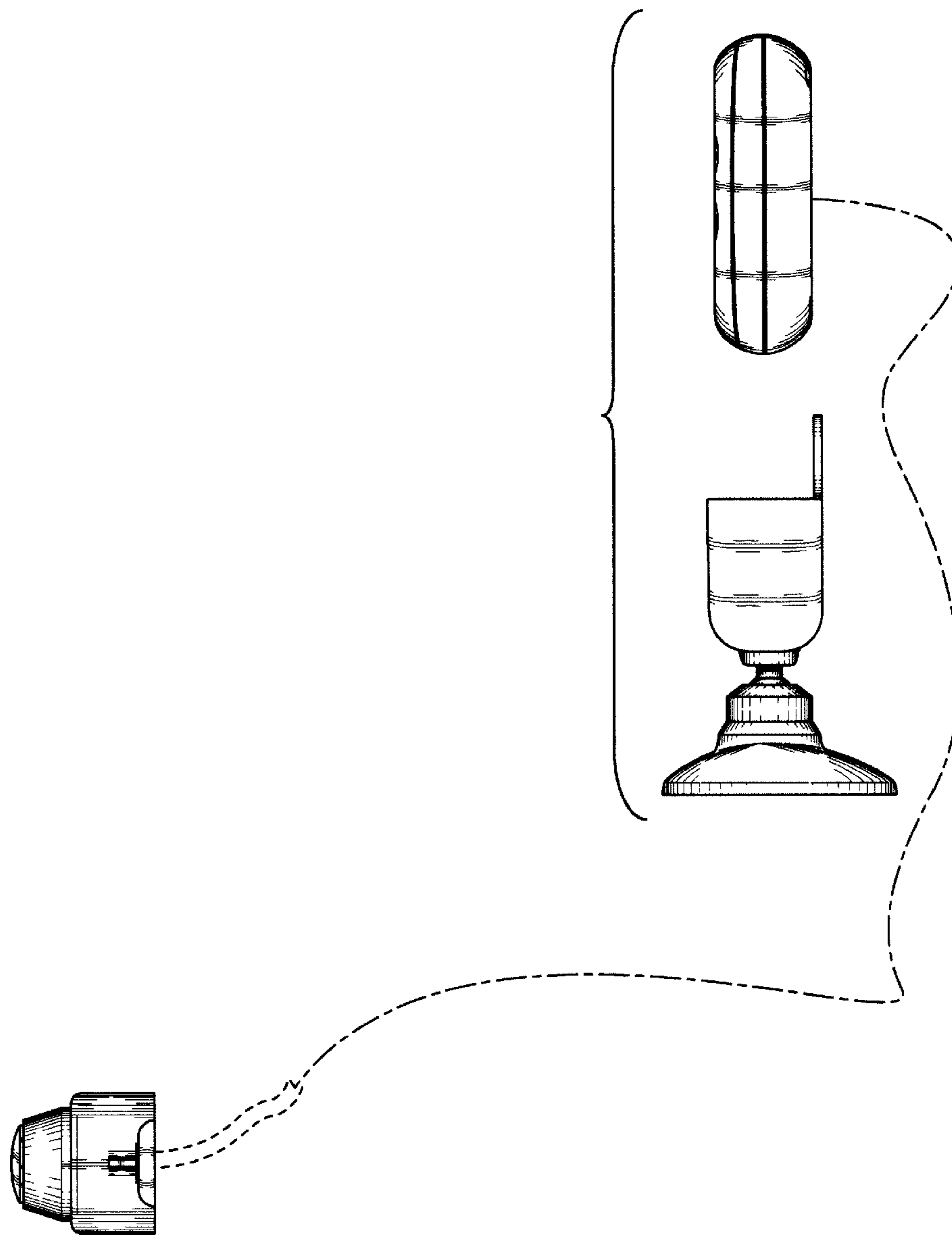


FIG. 6

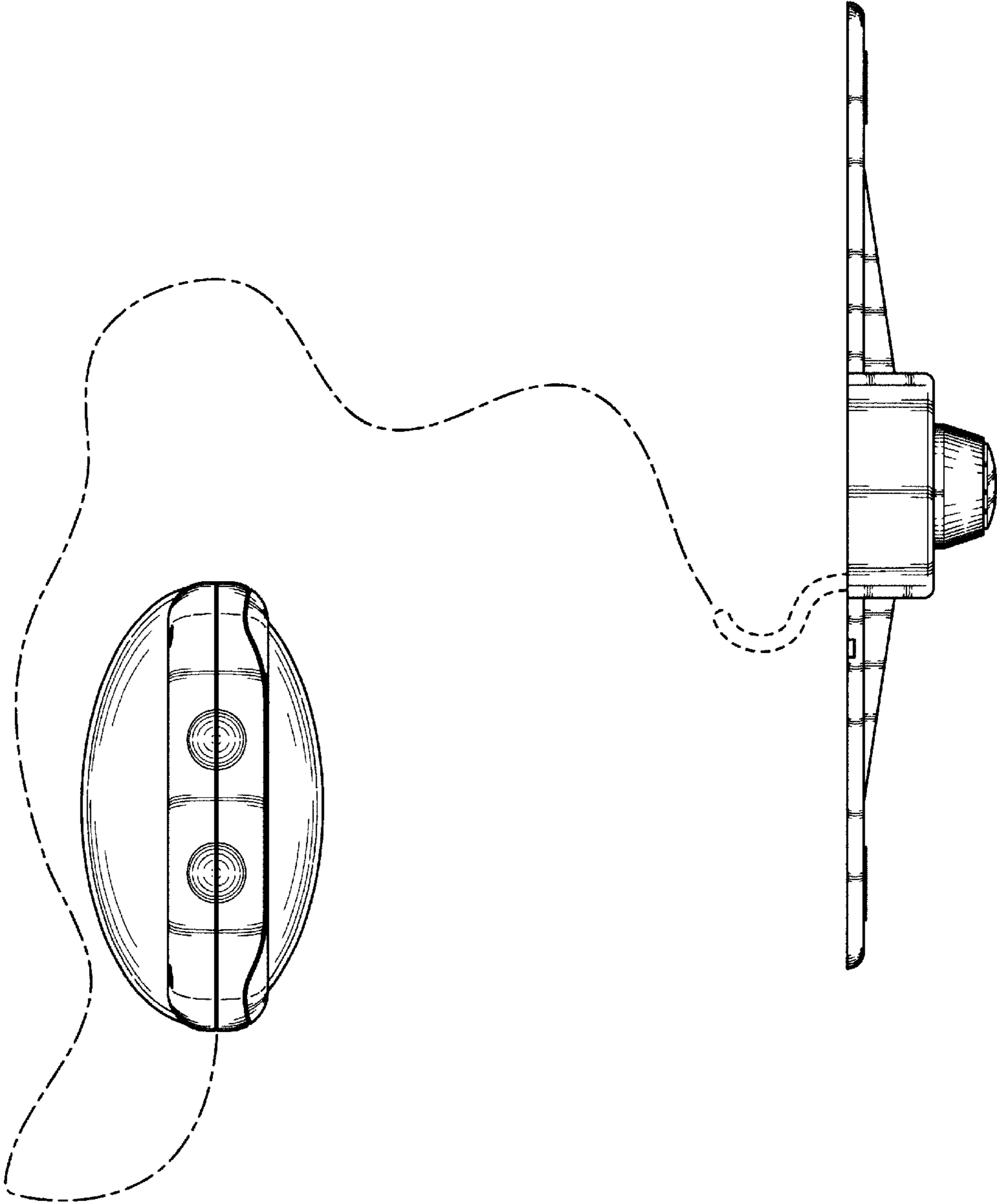


FIG. 7

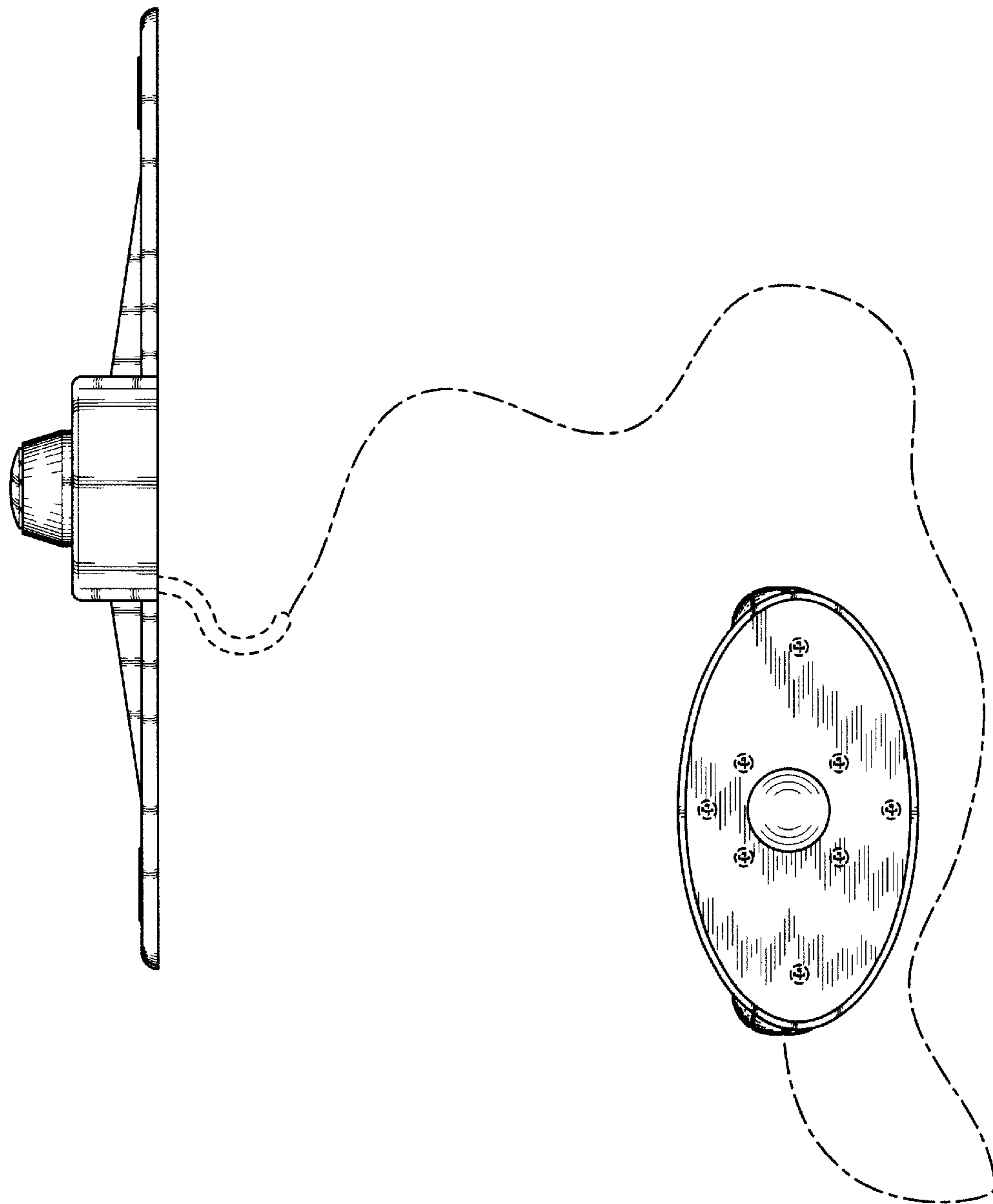


FIG. 8