



US00D536011S

(12) **United States Design Patent**  
**Dayan**

(10) **Patent No.:** **US D536,011 S**

(45) **Date of Patent:** **\*\* Jan. 30, 2007**

(54) **SYSTEM FOR MONITORING AN AREA BEHIND A VEHICLE**

(75) Inventor: **Maurice S. Dayan**, Oakhurst, NJ (US)

(73) Assignee: **Intellectual Solutions, Inc.**

(\*\*) Term: **14 Years**

(21) Appl. No.: **29/252,296**

(22) Filed: **Jan. 20, 2006**

(51) **LOC (8) Cl.** ..... **16-01**

(52) **U.S. Cl.** ..... **D16/208; D16/242; D14/129**

(58) **Field of Classification Search** ..... D14/126,  
D14/129, 334, 336; D16/200-204, 208, 211,  
D16/218, 237, 242; 248/176.1, 917, 918;  
340/436; 348/118, 148, 152; 396/419, 429,  
396/535, 540, 541

See application file for complete search history.

(56) **References Cited**

**U.S. PATENT DOCUMENTS**

5,574,443	A	*	11/1996	Hsieh	.....	348/118
6,175,300	B1	*	1/2001	Kendrick	.....	340/436
D454,146	S	*	3/2002	Mori	.....	D16/211
D484,161	S	*	12/2003	Mendoza	.....	D16/208
D485,234	S	*	1/2004	Katayama	.....	D16/237
D487,104	S	*	2/2004	Obata	.....	D16/218
D510,919	S	*	10/2005	Kubota et al.	.....	D14/126
2006/0061655	A1	*	3/2006	Wang	.....	348/148

\* cited by examiner

*Primary Examiner*—Adir Aronovich

(74) *Attorney, Agent, or Firm*—Wolf, Block, Schorr and Solis-Cohen

(57) **CLAIM**

The ornamental design for a system for monitoring an area behind a vehicle, as shown and described.

**DESCRIPTION**

FIG. 1 is a front perspective view of a system for monitoring an area behind a vehicle showing my design.

FIG. 2 is a bottom perspective view of the system for monitoring an area behind a vehicle of FIG. 1.

FIG. 3 is a front view of the system for monitoring an area behind a vehicle of FIG. 1.

FIG. 4 is a rear view of the system for monitoring an area behind a vehicle of FIG. 1.

FIG. 5 is a right side view of the system for monitoring an area behind a vehicle of FIG. 1.

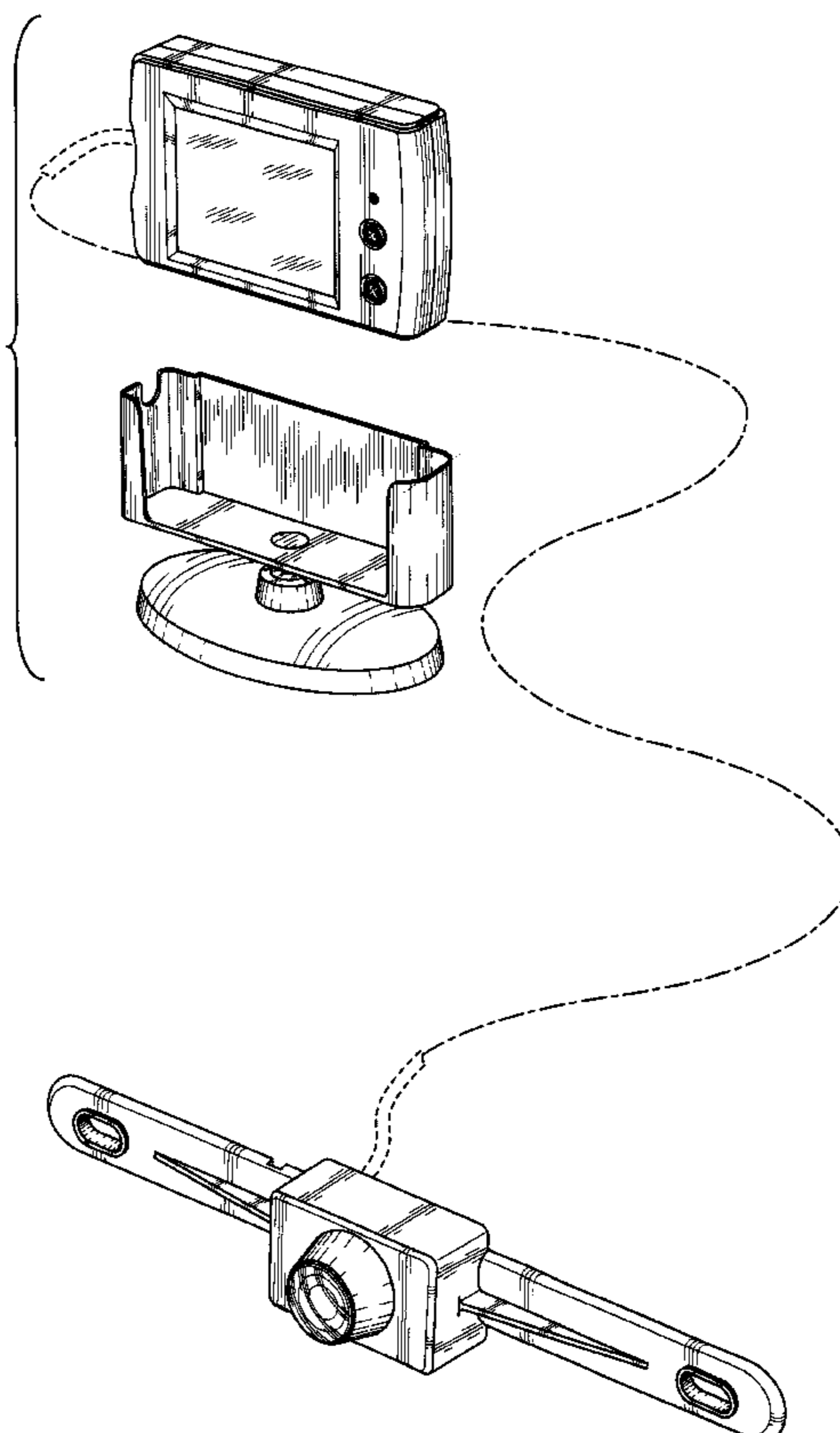
FIG. 6 is a left side view of the system for monitoring an area behind a vehicle of FIG. 1.

FIG. 7 is a top view of the system for monitoring an area behind a vehicle of FIG. 1; and,

FIG. 8 is a bottom view of the system for monitoring an area behind a vehicle of FIG. 1.

The broken line showing of a cord is for illustrative purposes only and forms no part of the claimed design.

**1 Claim, 8 Drawing Sheets**



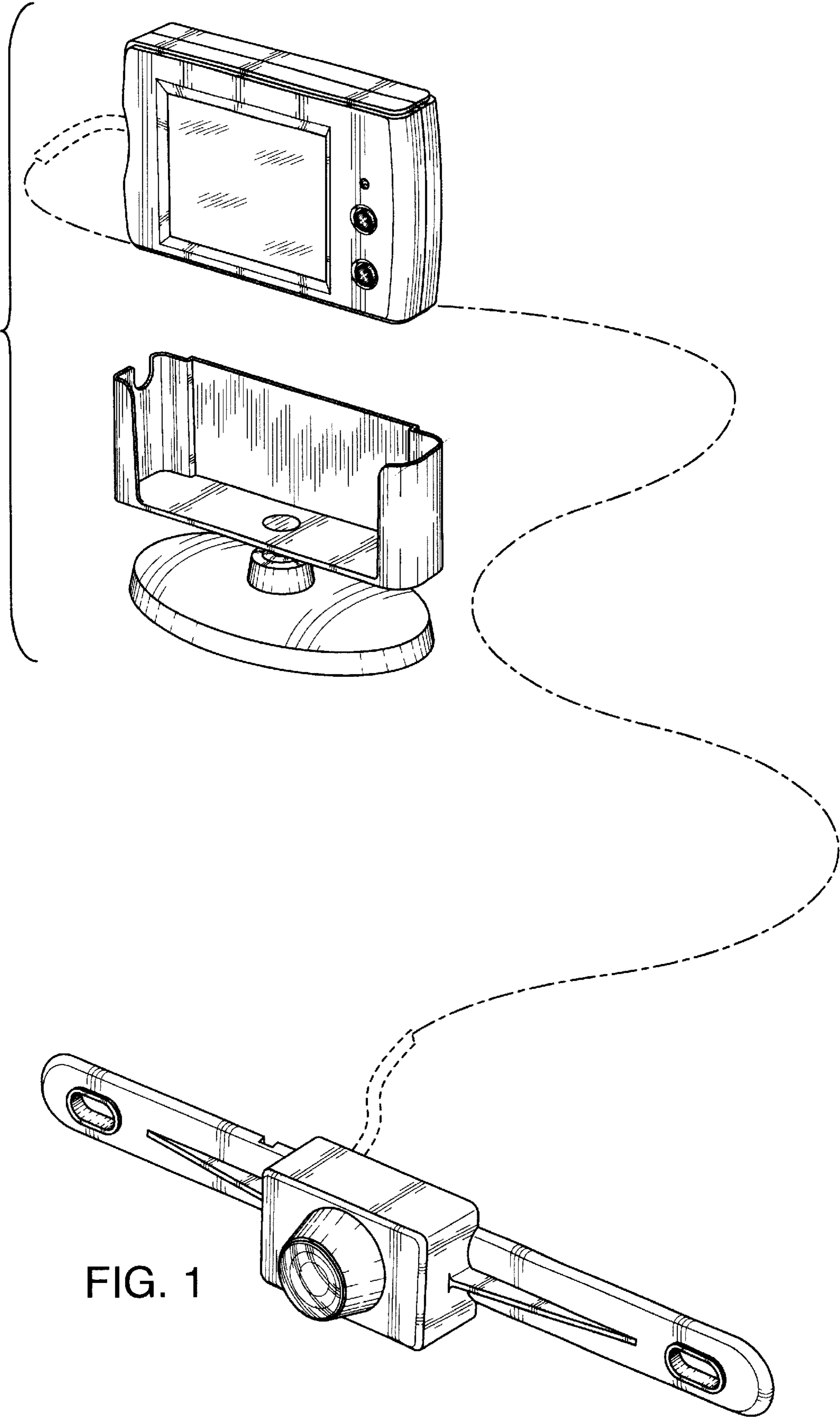


FIG. 1

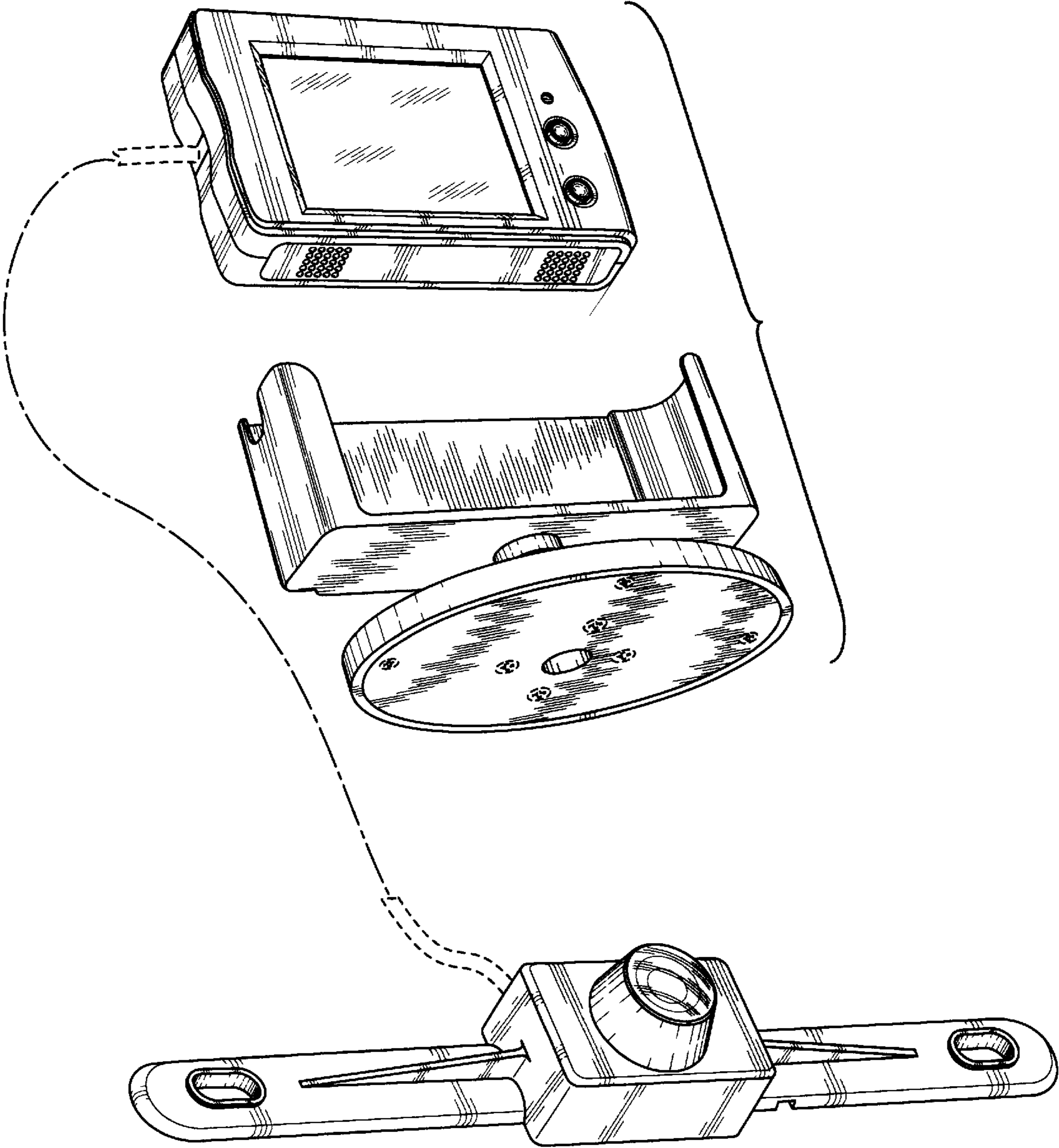


FIG. 2

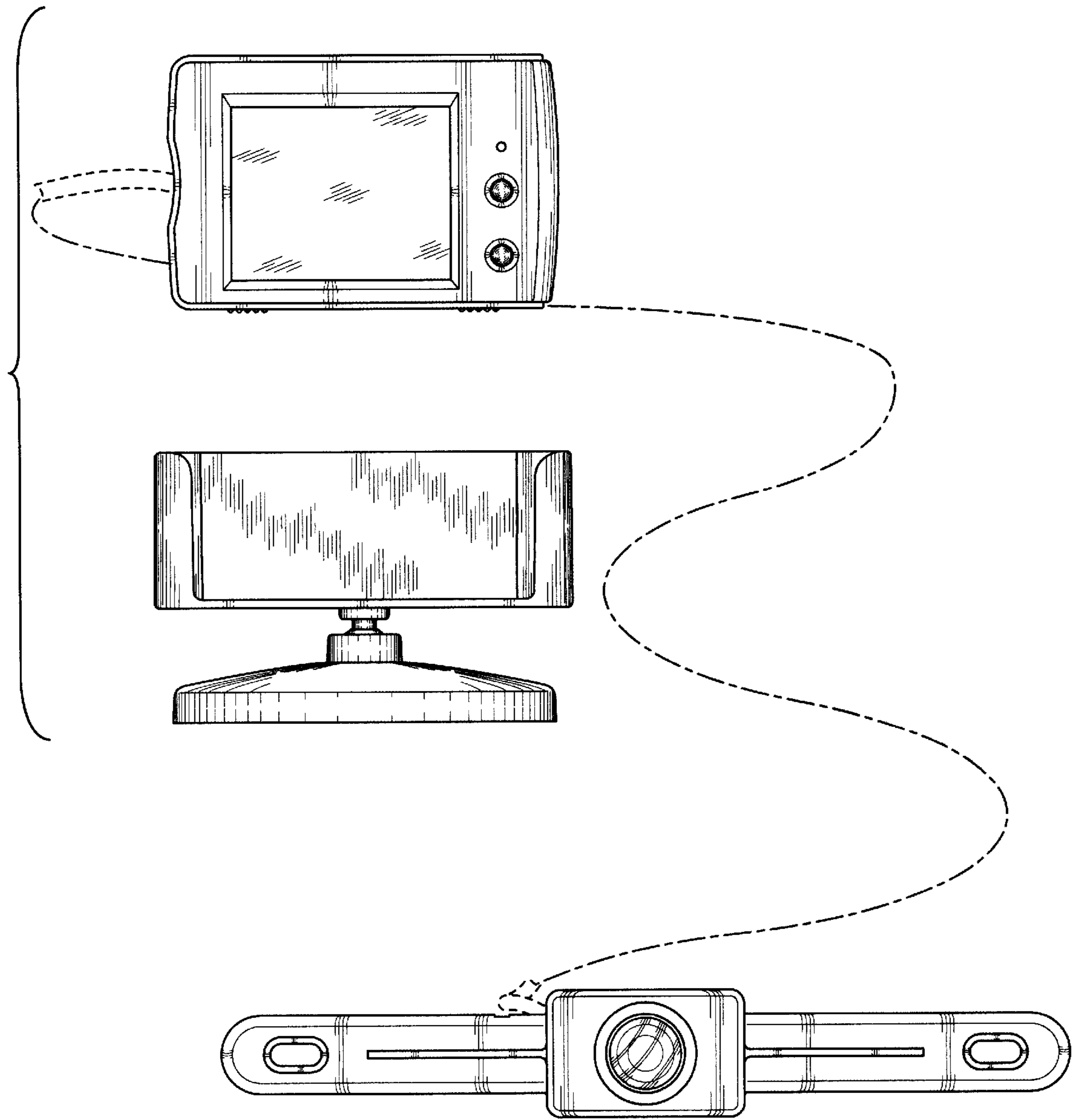


FIG. 3

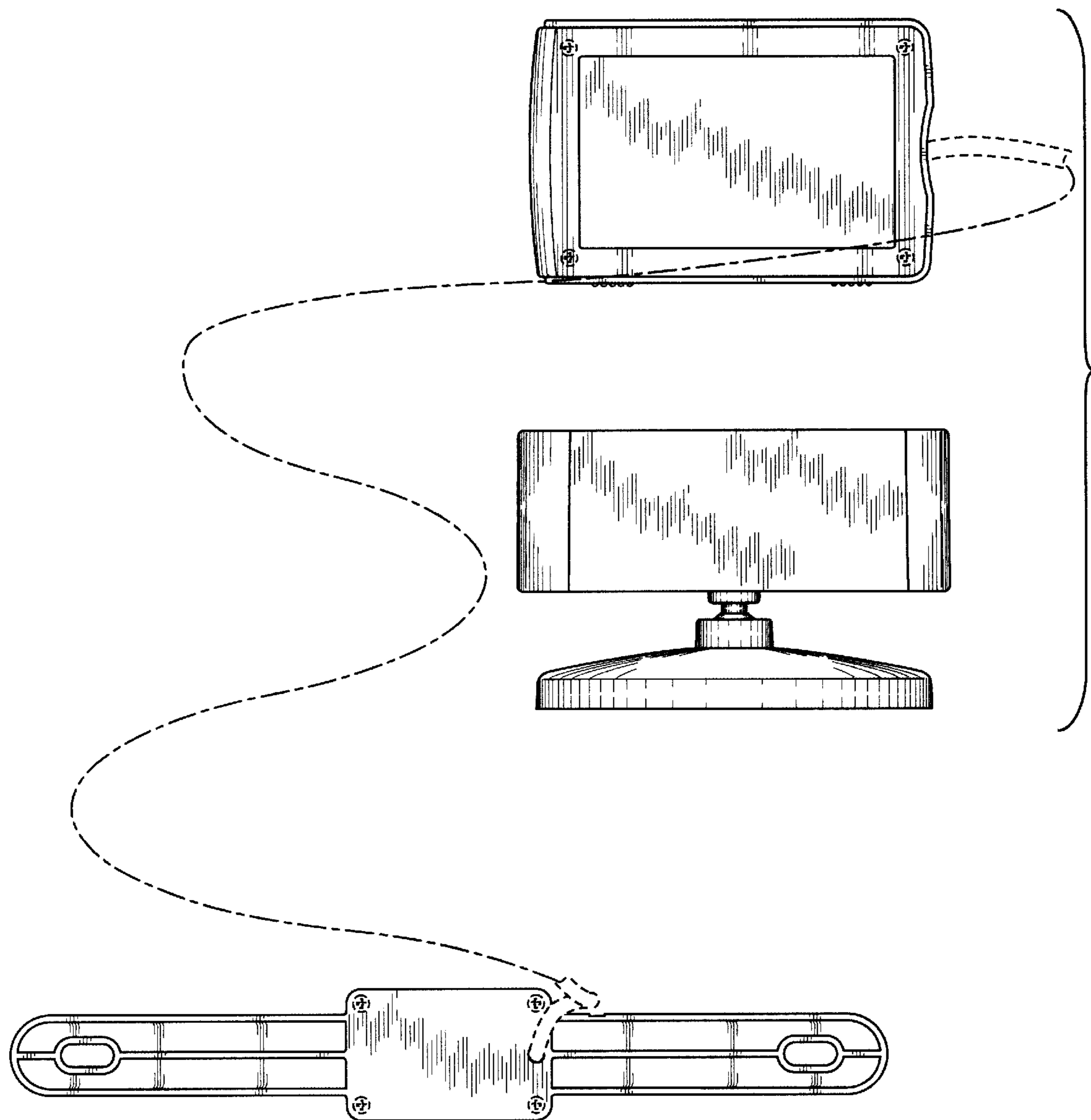


FIG. 4

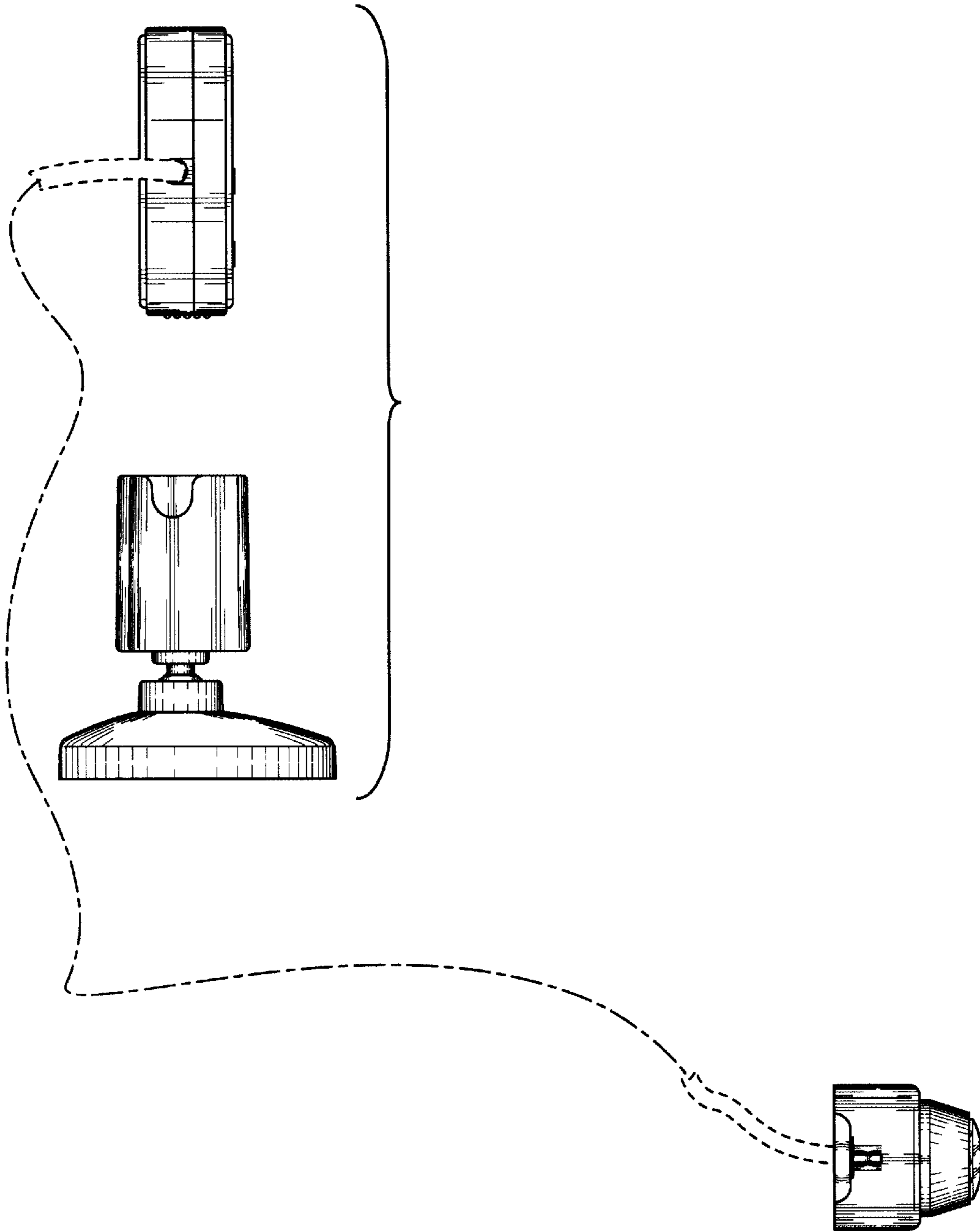


FIG. 5

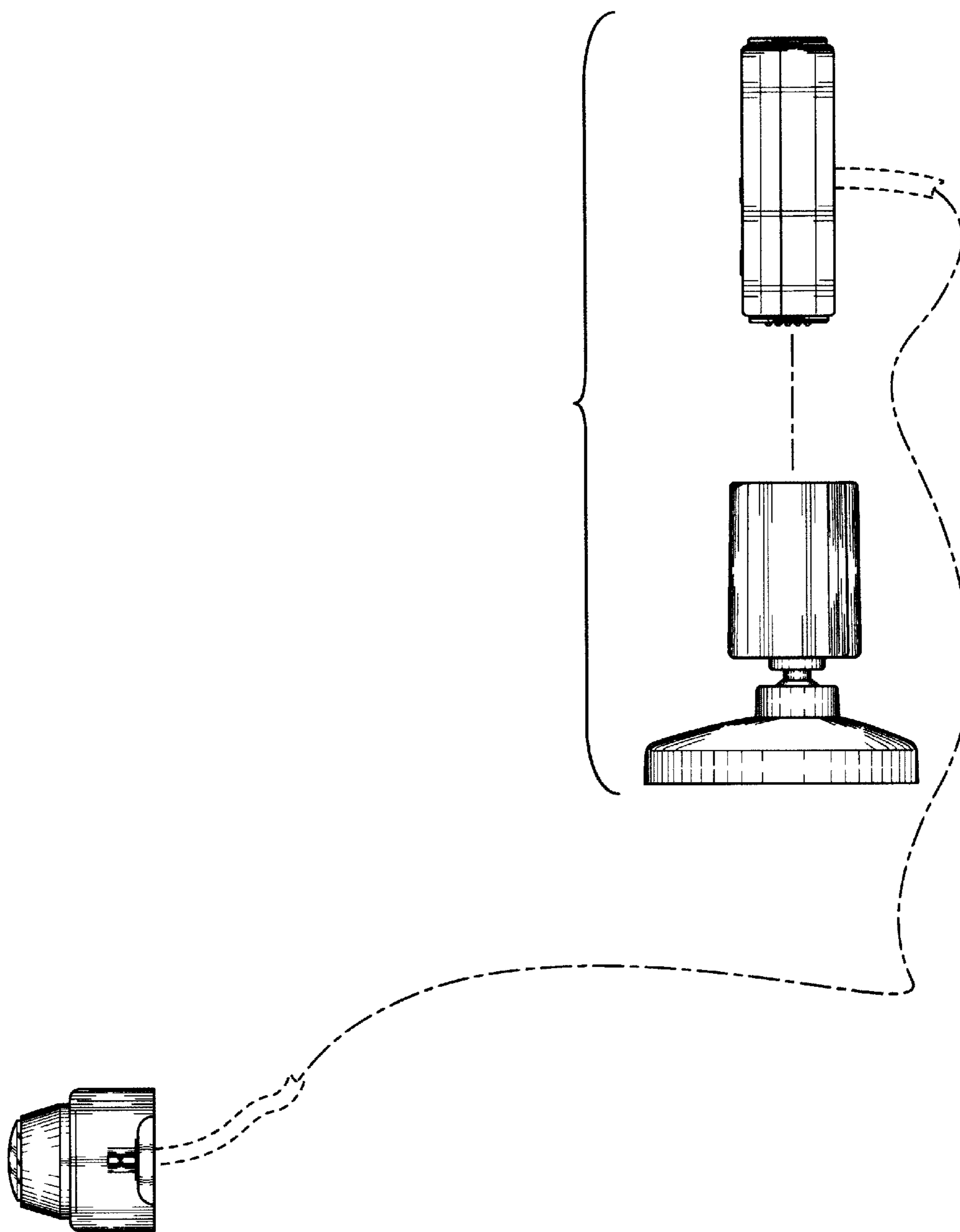


FIG. 6

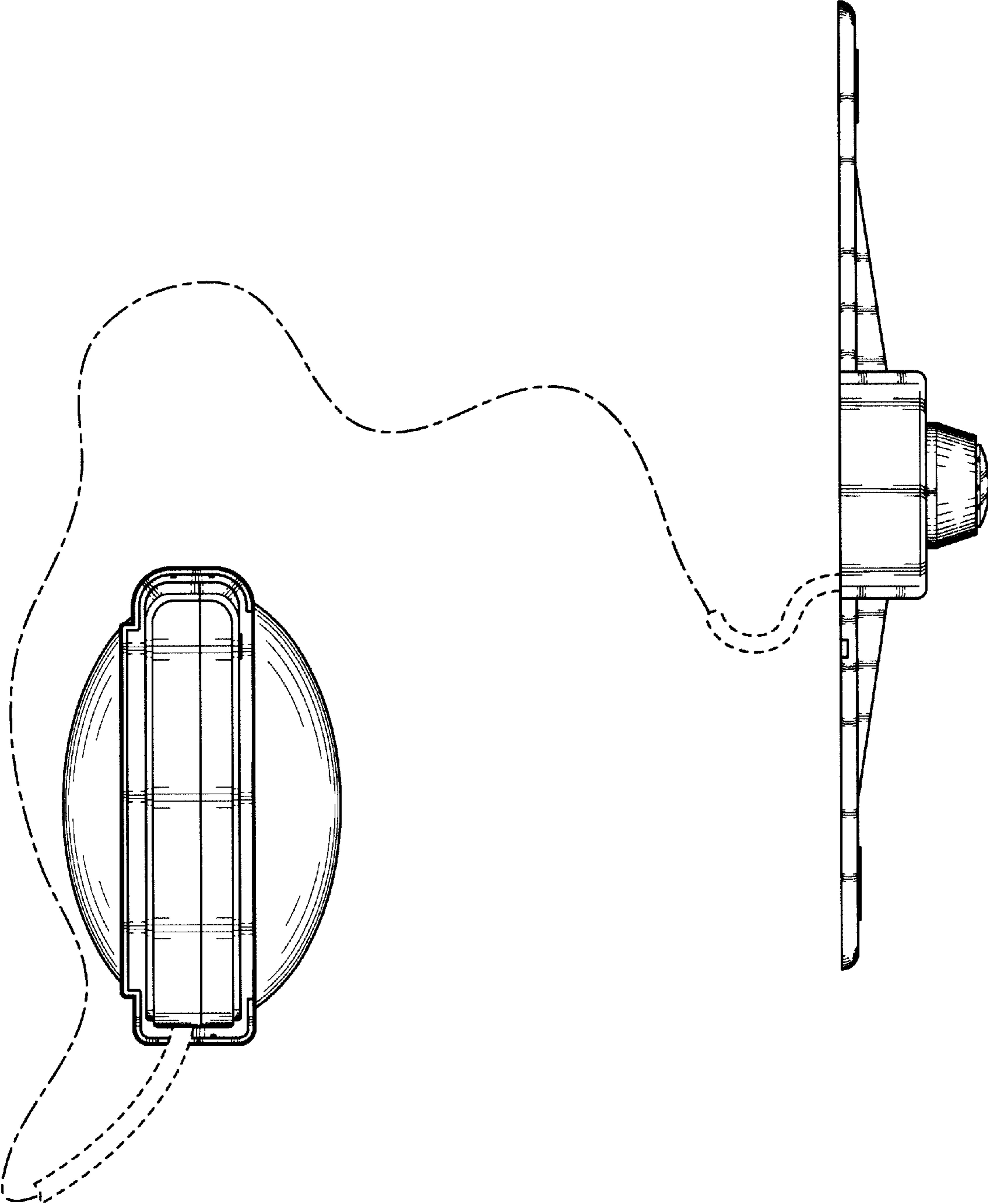


FIG. 7



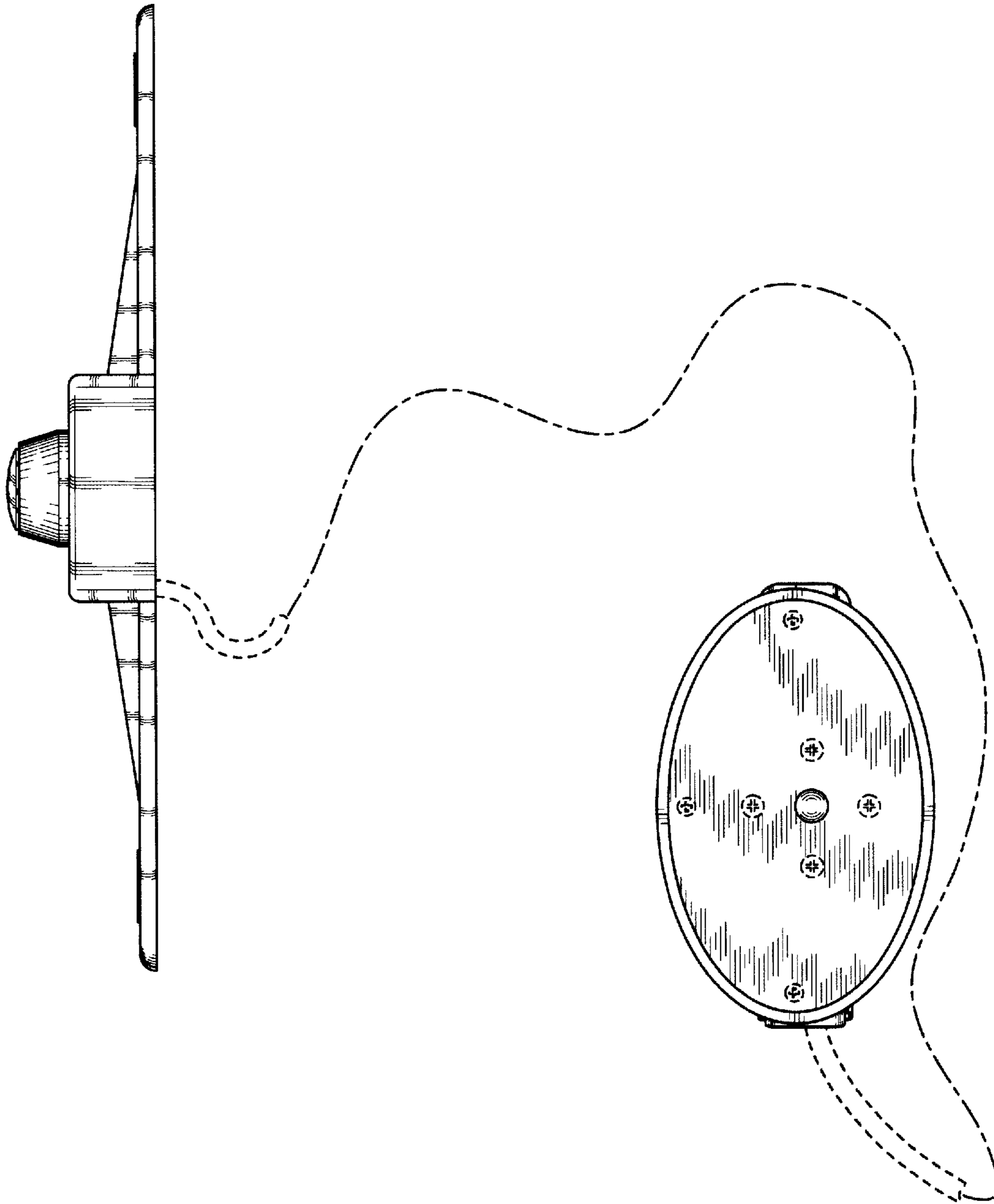


FIG. 8