



US00D536009S

(12) **United States Design Patent**  
**MacKenzie et al.**

(10) **Patent No.:** **US D536,009 S**  
(45) **Date of Patent:** **\*\* Jan. 30, 2007**

(54) **CARTRIDGE BODY ASSEMBLY FOR A  
PLASMA ARC TORCH**

D505,963 S \* 6/2005 Conway et al. .... D15/139  
D517,576 S \* 3/2006 Conway et al. .... D15/144  
D517,577 S \* 3/2006 Conway et al. .... D15/144  
D522,026 S \* 5/2006 Colson, Jr. .... D15/144

(75) Inventors: **Darrin H. MacKenzie**, Windsor, VT  
(US); **Christopher J. Conway**, Wilmot,  
NH (US); **Kevin J. Kinerson**, Corinth,  
VT (US); **Mark Gugliotta**, Concord,  
NH (US)

\* cited by examiner

(73) Assignee: **Thermal Dynamics Corporation**, West  
Lebanon, NH (US)

*Primary Examiner*—Antoine D. Davis  
*Assistant Examiner*—Patricia Palasik  
(74) *Attorney, Agent, or Firm*—Harness, Dickey & Pierce  
P.L.C.

(\*\*) Term: **14 Years**

(57) **CLAIM**

(21) Appl. No.: **29/197,685**

The ornamental design for a cartridge body assembly for a  
plasma arc torch, as shown and described.

(22) Filed: **Jan. 16, 2004**

**DESCRIPTION**

(51) **LOC (8) Cl.** ..... **15-09**

(52) **U.S. Cl.** ..... **D15/144**

(58) **Field of Classification Search** ..... D8/29.1,  
D8/30; D15/139, 144–144.2; 219/74, 75,  
219/121.36, 121.39, 121.44–121.55, 121.49,  
219/121.59; 313/231.31, 298.21, 298.31  
See application file for complete search history.

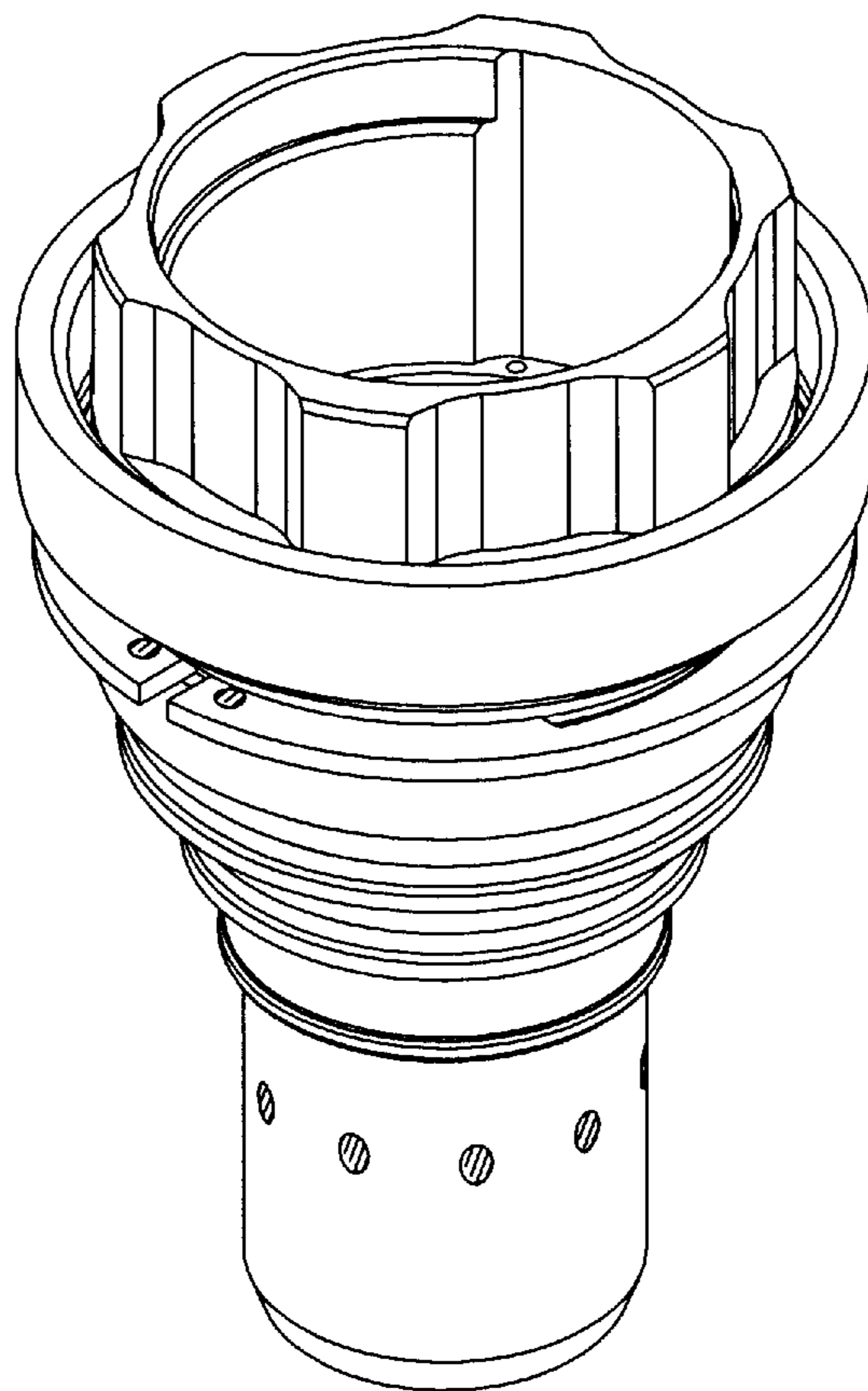
FIG. 1 is a perspective view of the cartridge body assembly  
for a plasma arc torch;  
FIG. 2 is a perspective view from the distal end thereof;  
FIG. 3 is a perspective view from the proximal end thereof;  
FIG. 4 is a side elevation view thereof;  
FIG. 5 is a top plan view thereof; and,  
FIG. 6 is a bottom plan view thereof.

(56) **References Cited**

**U.S. PATENT DOCUMENTS**

D496,376 S \* 9/2004 Colson, Jr. .... D15/144

**1 Claim, 6 Drawing Sheets**



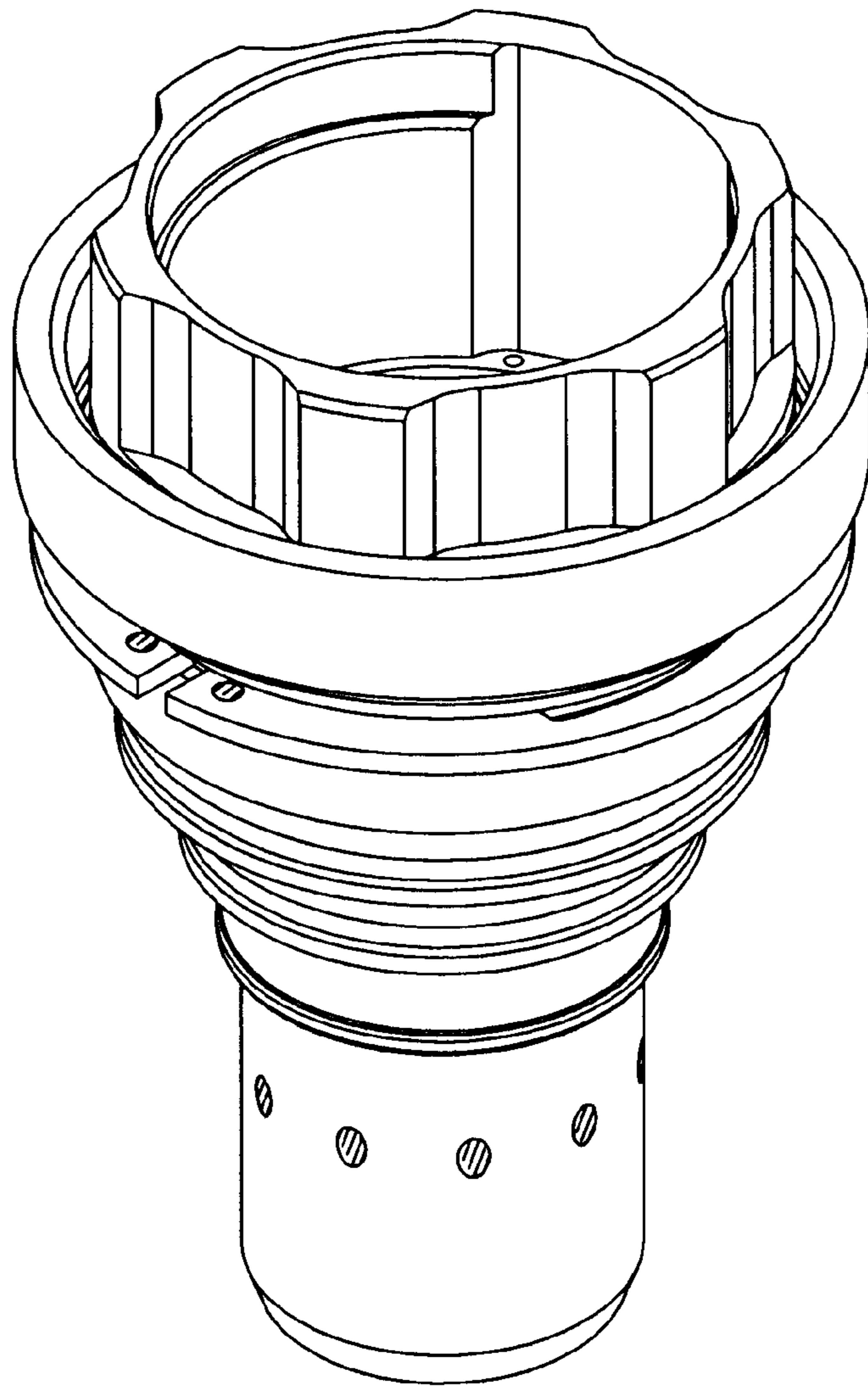


FIG. 1

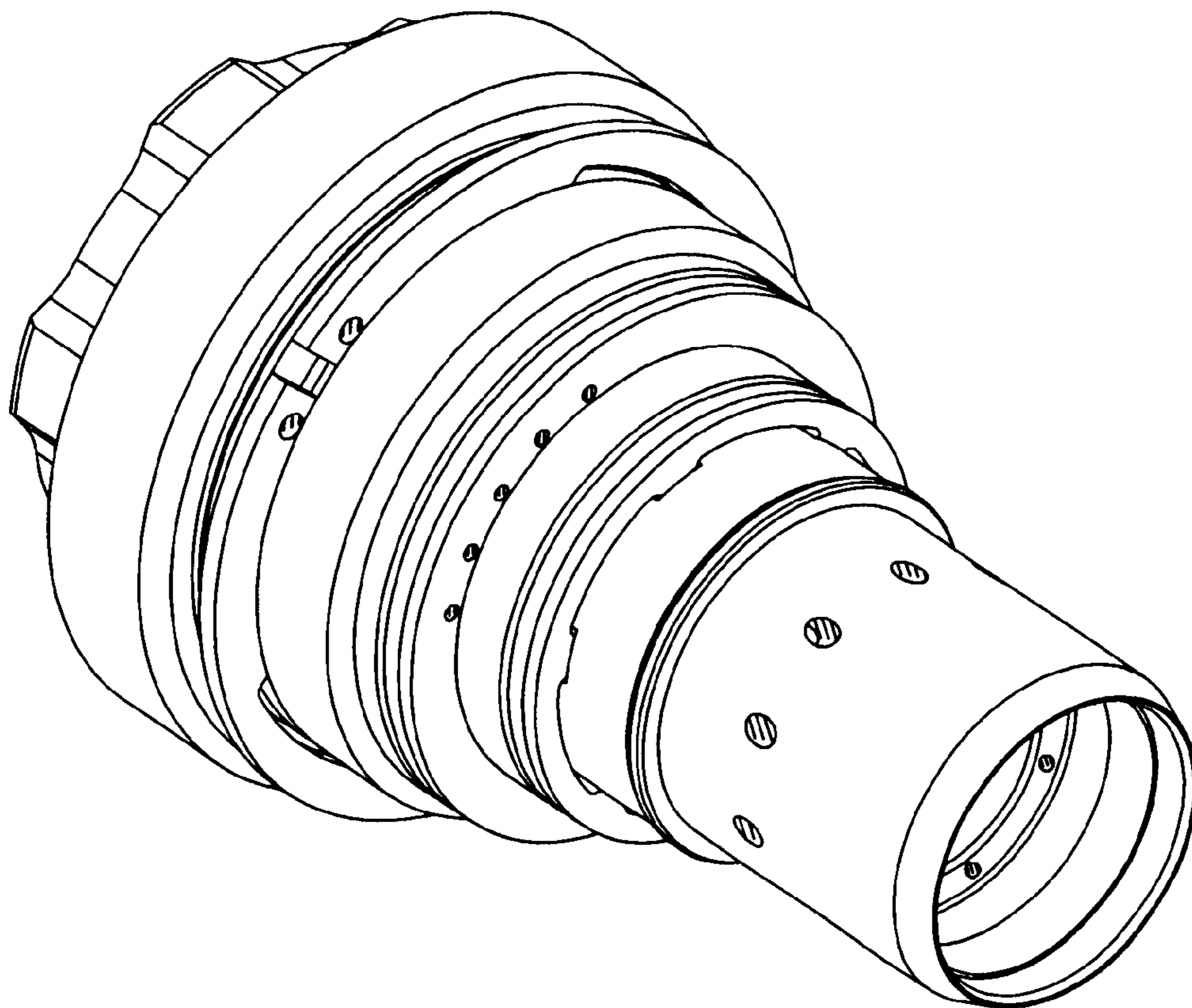


FIG. 2

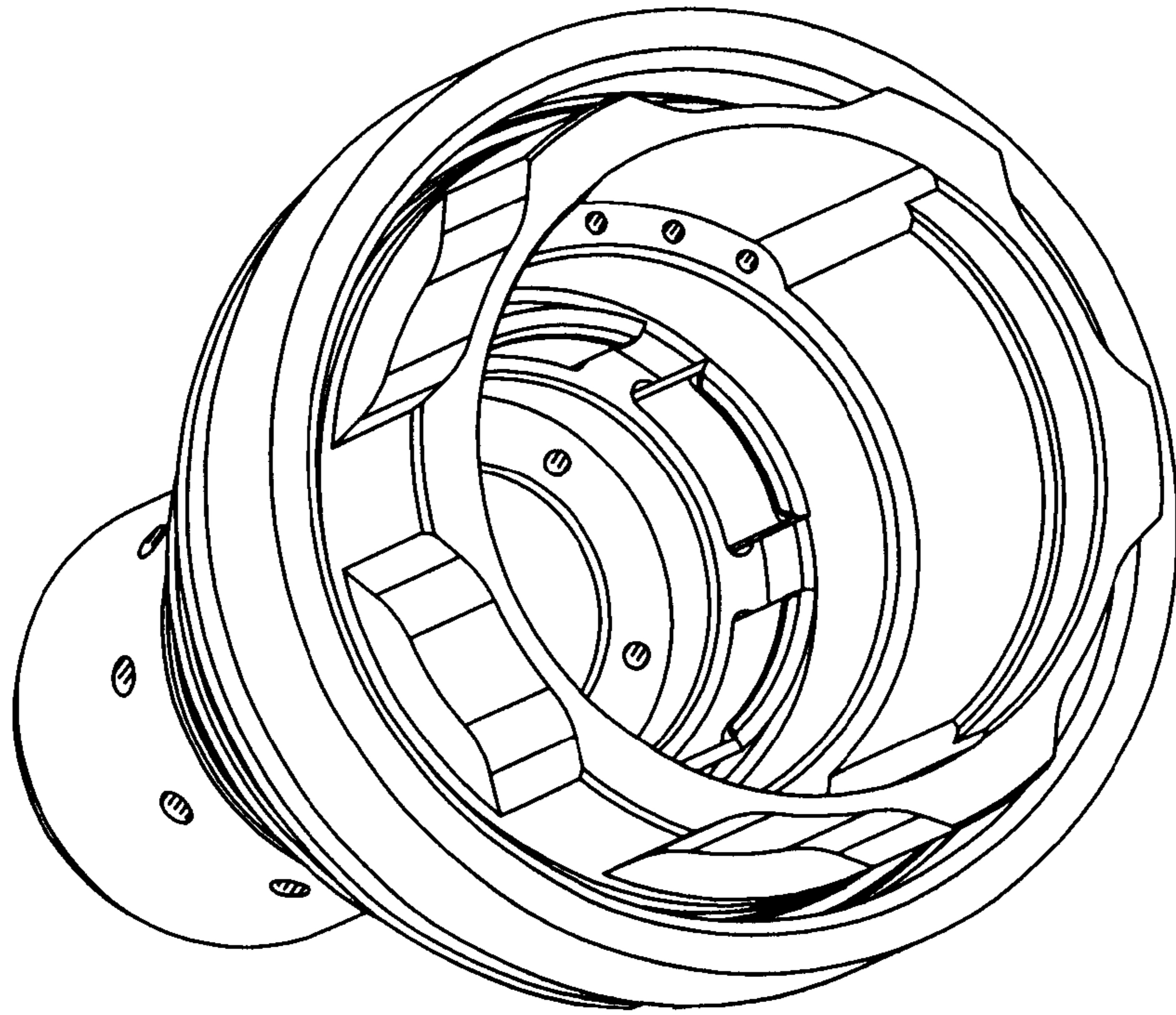


FIG. 3

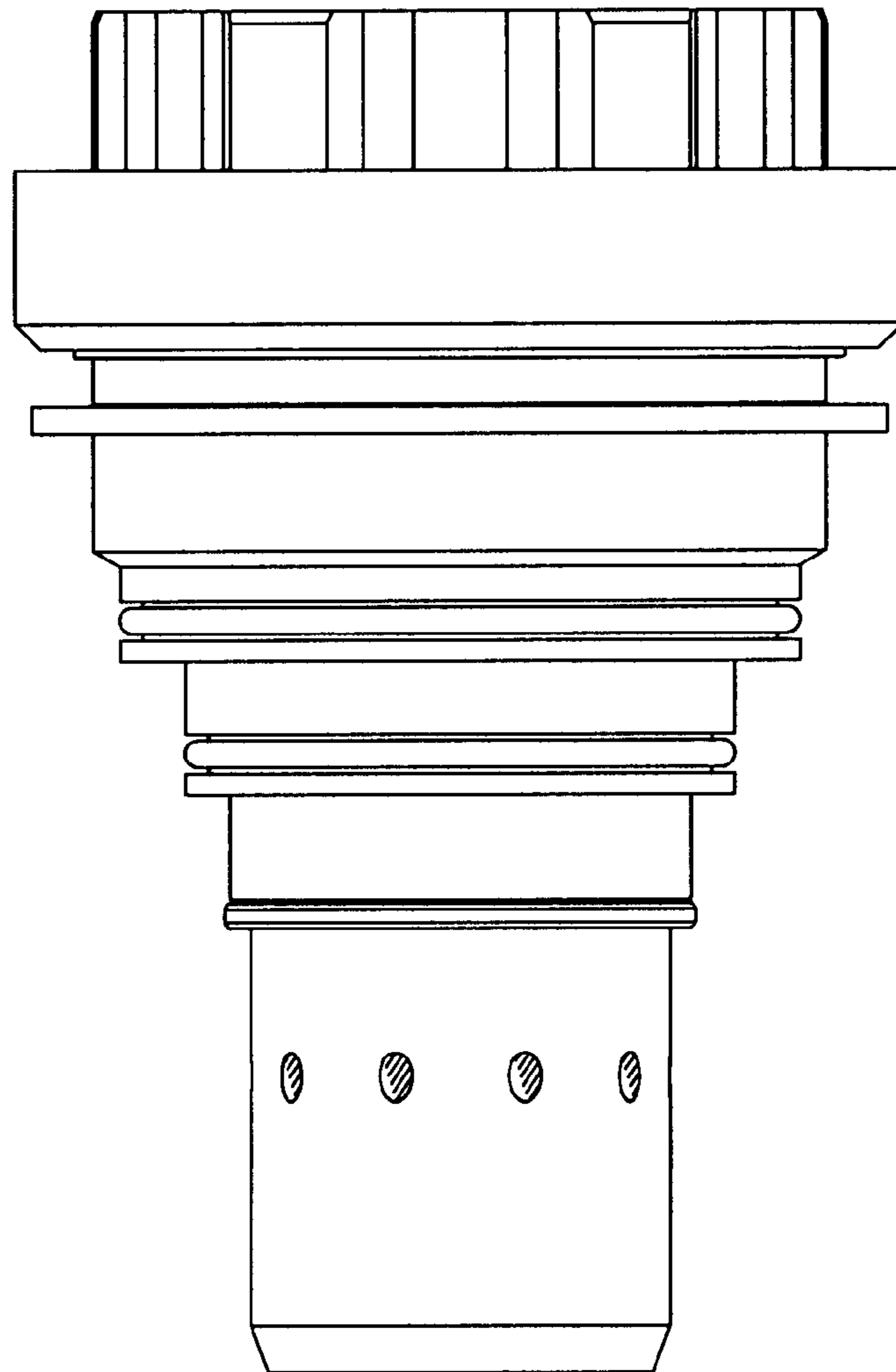


FIG. 4



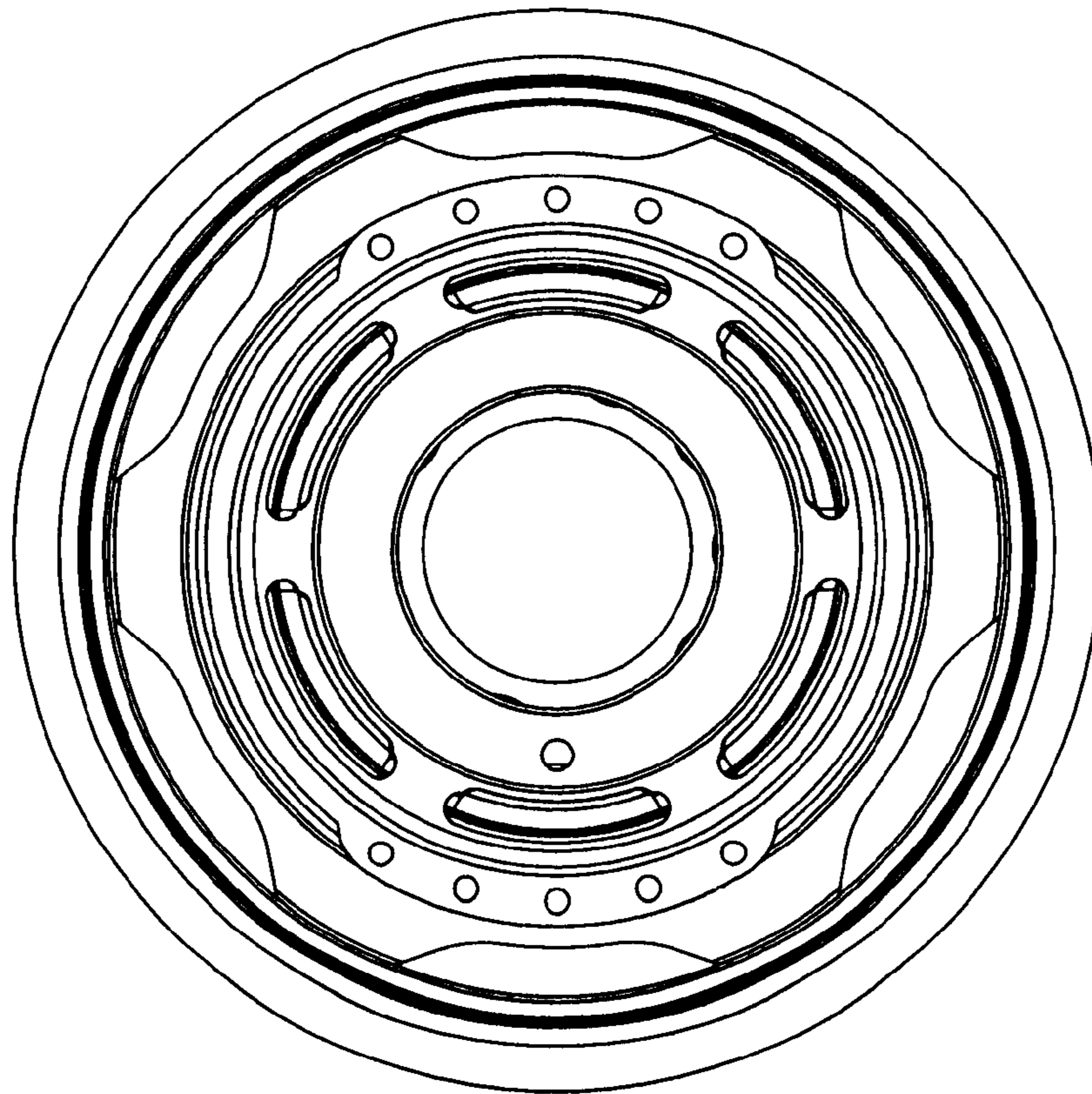


FIG. 5

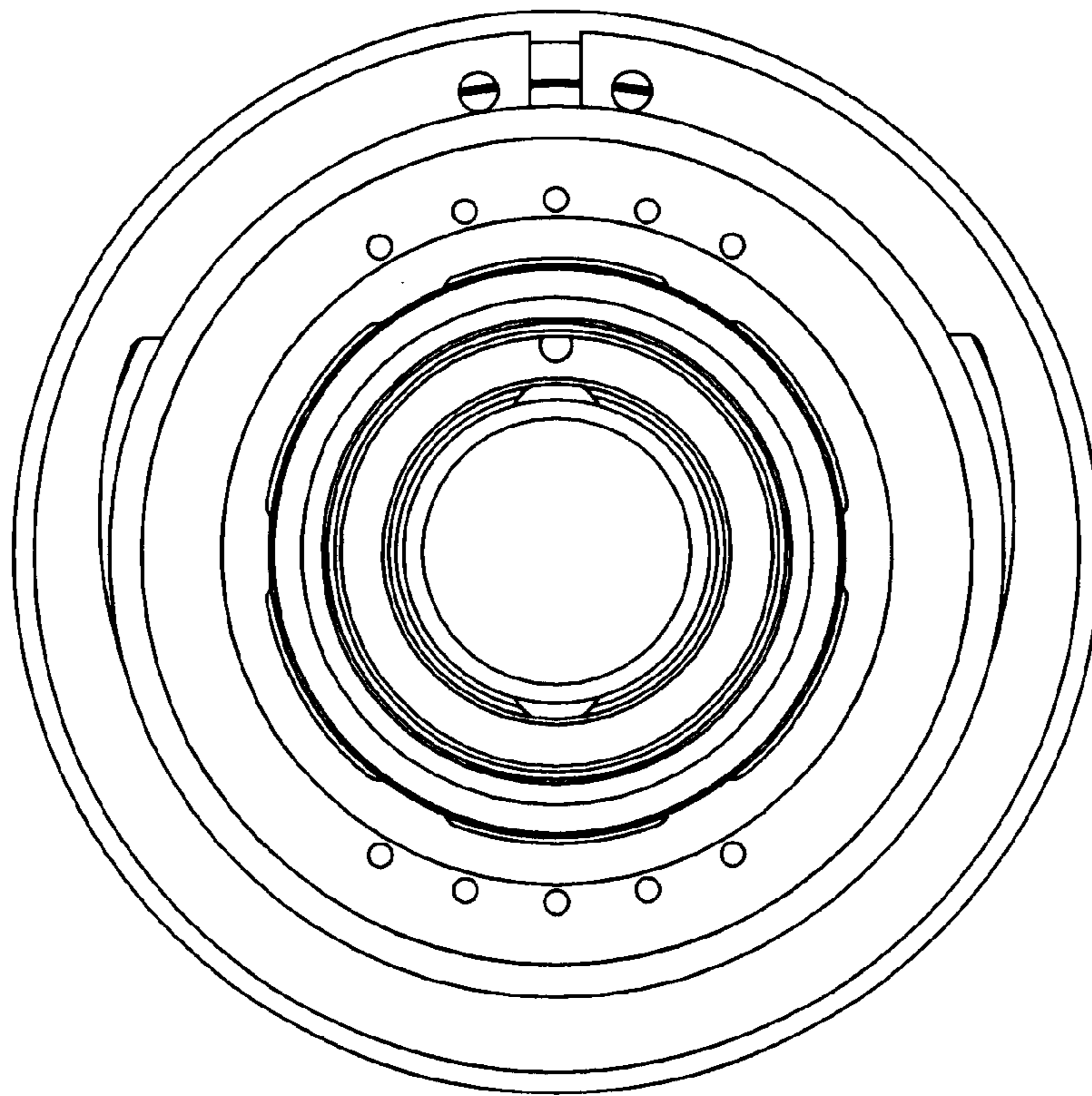


FIG. 6