



US00D536008S

(12) **United States Design Patent**
Hosoi et al.

(10) **Patent No.:** **US D536,008 S**

(45) **Date of Patent:** **** Jan. 30, 2007**

(54) **SEWING MACHINE**

(75) Inventors: **Hiroyasu Hosoi**, Kariya (JP); **Yasushi Hirose**, Nagoya (JP); **Masayuki Katsuyama**, Toyota (JP)

(73) Assignee: **Aisin Seiki Kabushiki Kaisha**, Kariya (JP)

(**) Term: **14 Years**

(21) Appl. No.: **29/259,481**

(22) Filed: **May 10, 2006**

Related U.S. Application Data

(62) Division of application No. 29/242,570, filed on Nov. 14, 2005.

(51) **LOC (8) Cl.** **15-06**

(52) **U.S. Cl.** **D15/69**

(58) **Field of Classification Search** D15/66-70;
112/2, 63, 78, 154, 163, 217.1, 217.2, 217.3,
112/217.4, 258-261, 444

See application file for complete search history.

(56) **References Cited**

U.S. PATENT DOCUMENTS

D403,333 S	12/1998	Takada et al.
D430,886 S	9/2000	Yamamoto
D450,332 S	11/2001	Kuroki et al.
D450,720 S	11/2001	Kuroki
D459,369 S	6/2002	Yamamoto et al.

D459,737 S	*	7/2002	Kuroki	D15/69
D460,765 S	*	7/2002	Kuroki	D15/69
D472,562 S		4/2003	Yamamoto et al.		
D474,482 S		5/2003	Melzer-Müller		
D483,774 S	*	12/2003	Kuroki	D15/69
D492,704 S		7/2004	Kuroki		
D515,107 S	*	2/2006	Kawaguchi	D15/69

* cited by examiner

Primary Examiner—Mitchell Siegel
Assistant Examiner—Shanda C. Hill

(74) *Attorney, Agent, or Firm*—Buchanan Ingersoll & Rooney PC

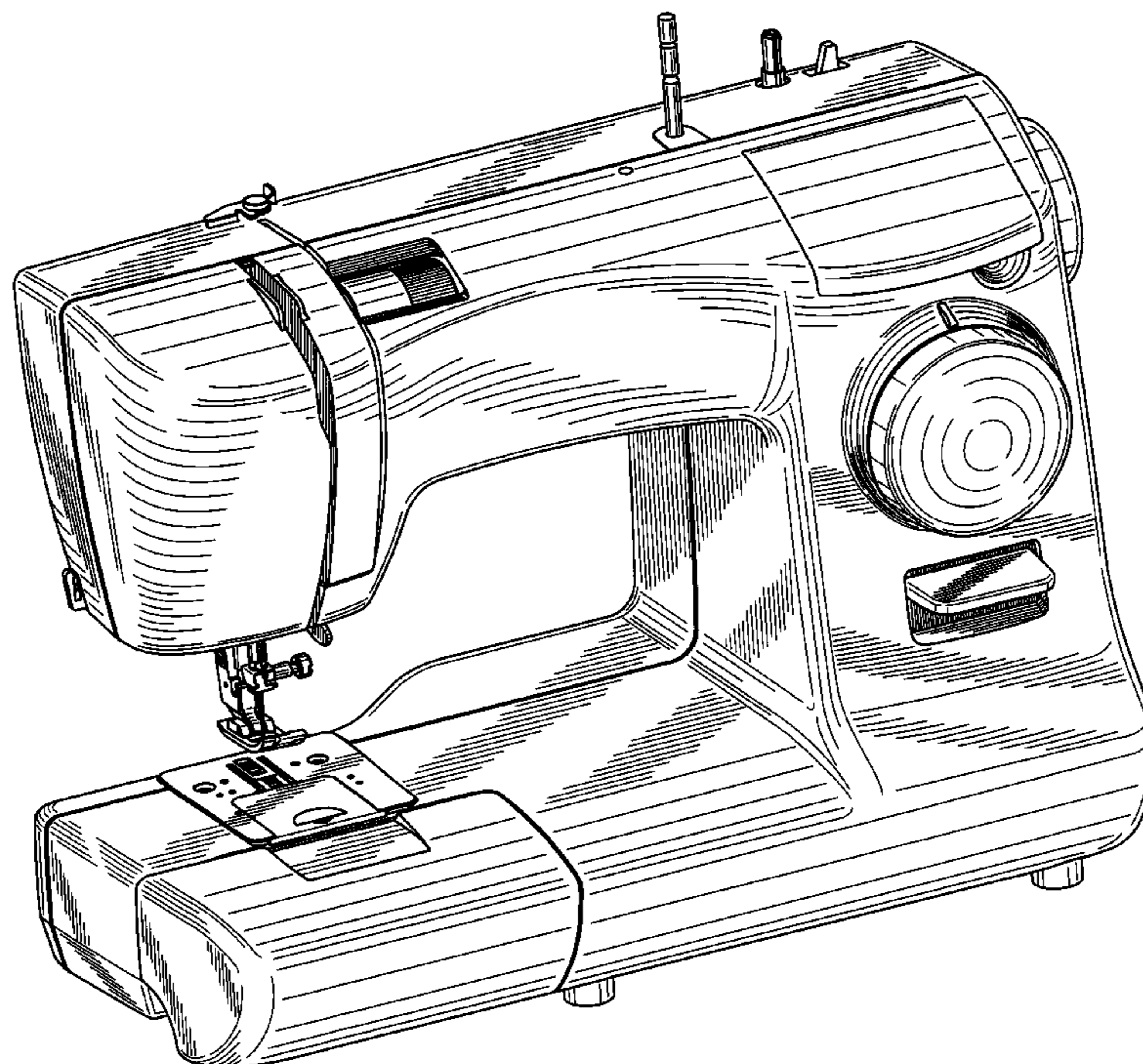
(57) **CLAIM**

The ornamental design for a sewing machine, as shown and described.

DESCRIPTION

FIG. 1 is a perspective view of a sewing machine showing our new design;
FIG. 2 is a front elevational view thereof;
FIG. 3 is a rear elevational view thereof;
FIG. 4 is a top plan view thereof;
FIG. 5 is a bottom plan view thereof;
FIG. 6 is a right side elevational view thereof;
FIG. 7 is a left side elevational view thereof;
FIG. 8 is a perspective view thereof, shown with the lid open;
FIG. 9 is a front elevational view of FIG. 8; and,
FIG. 10 is a top plan view of FIG. 8.

1 Claim, 9 Drawing Sheets



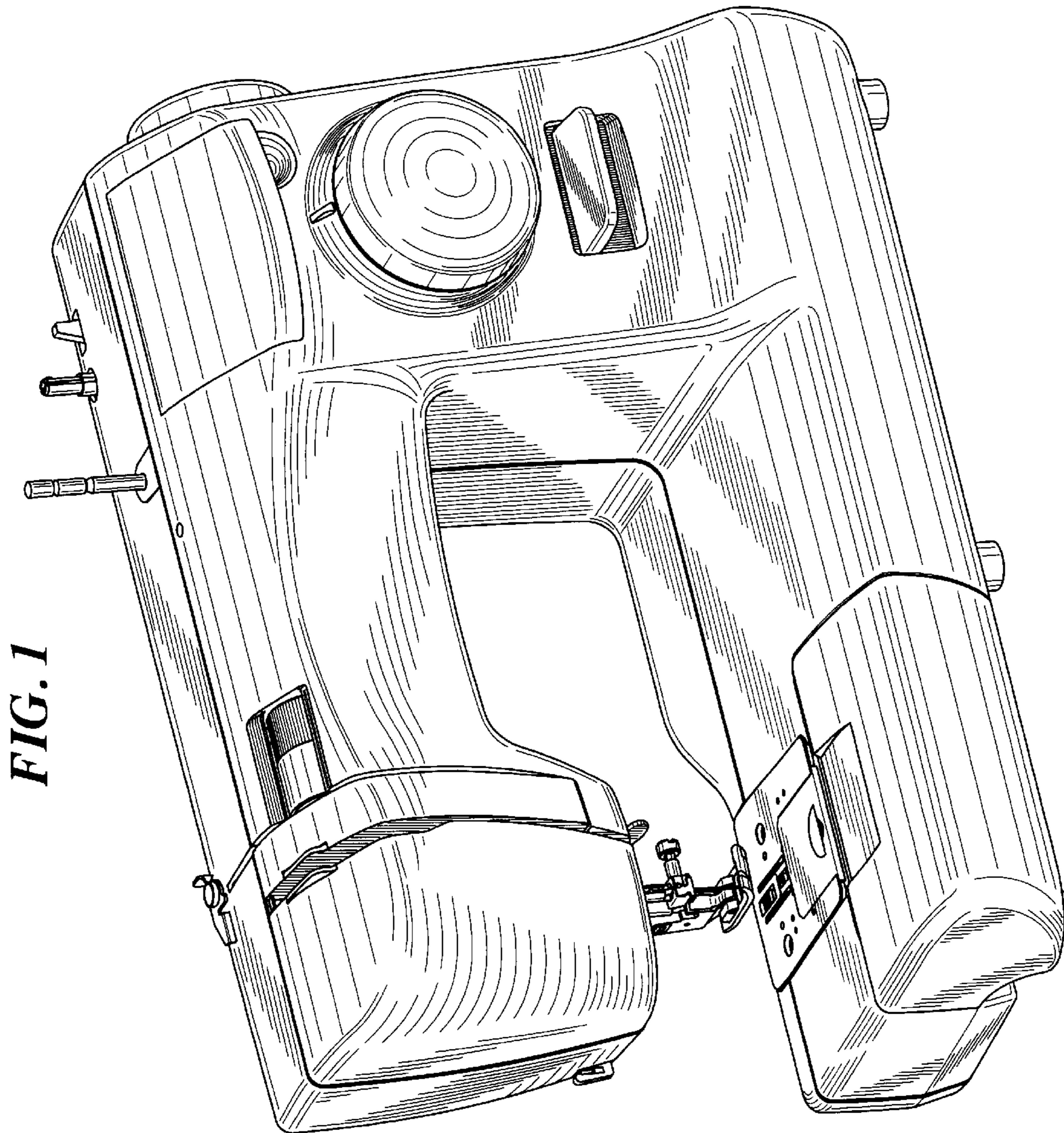


FIG. 2

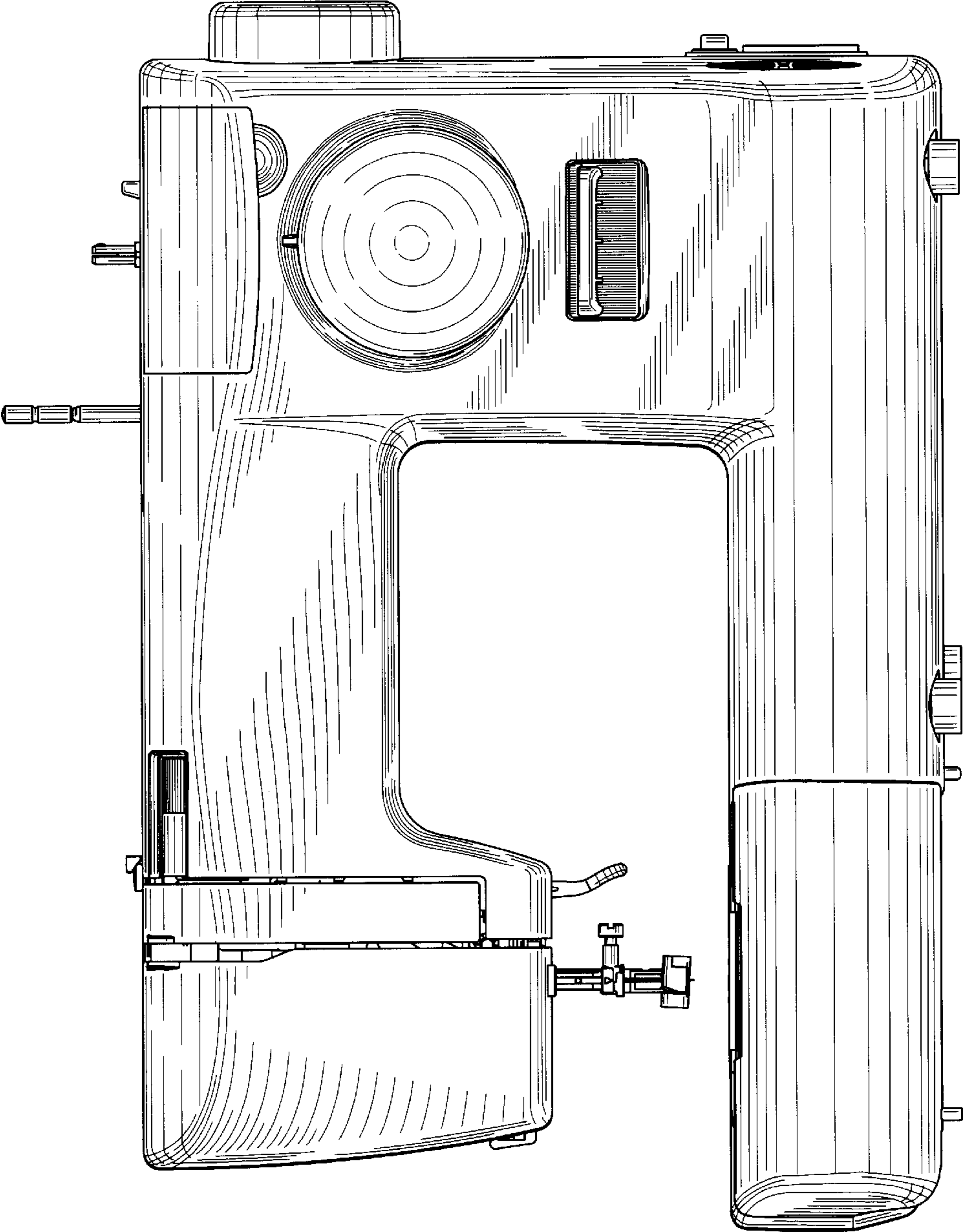


FIG. 3

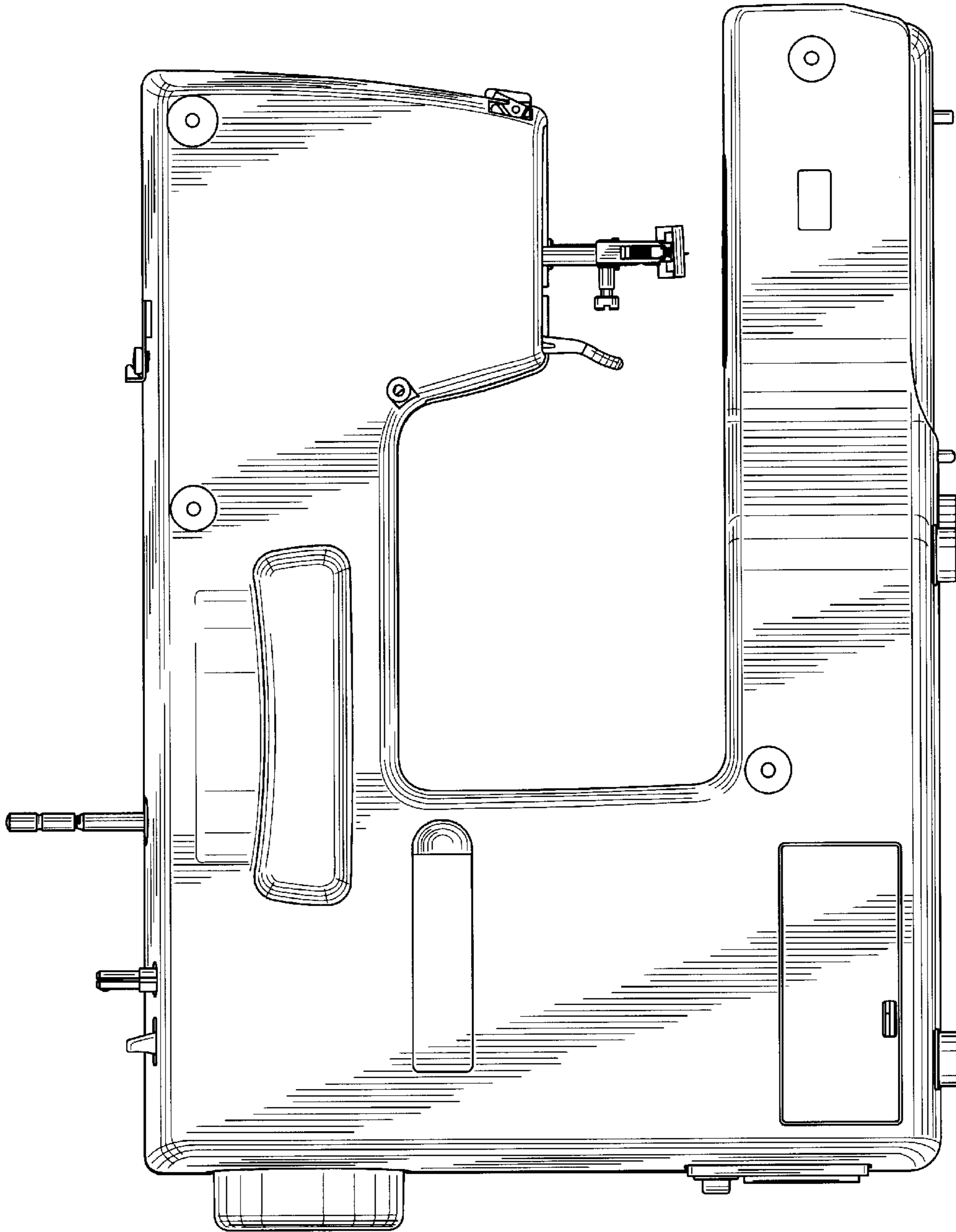


FIG. 4

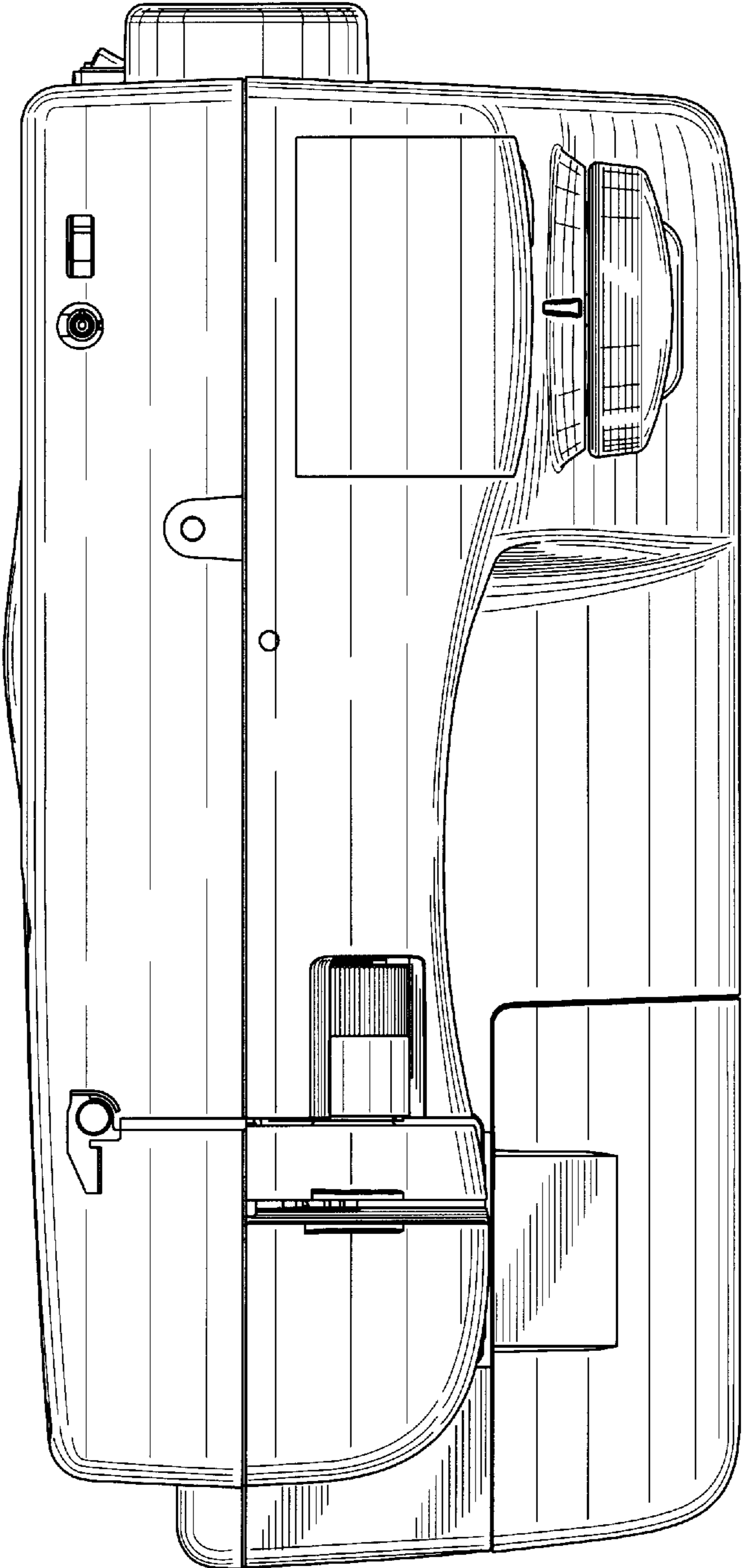


FIG. 5

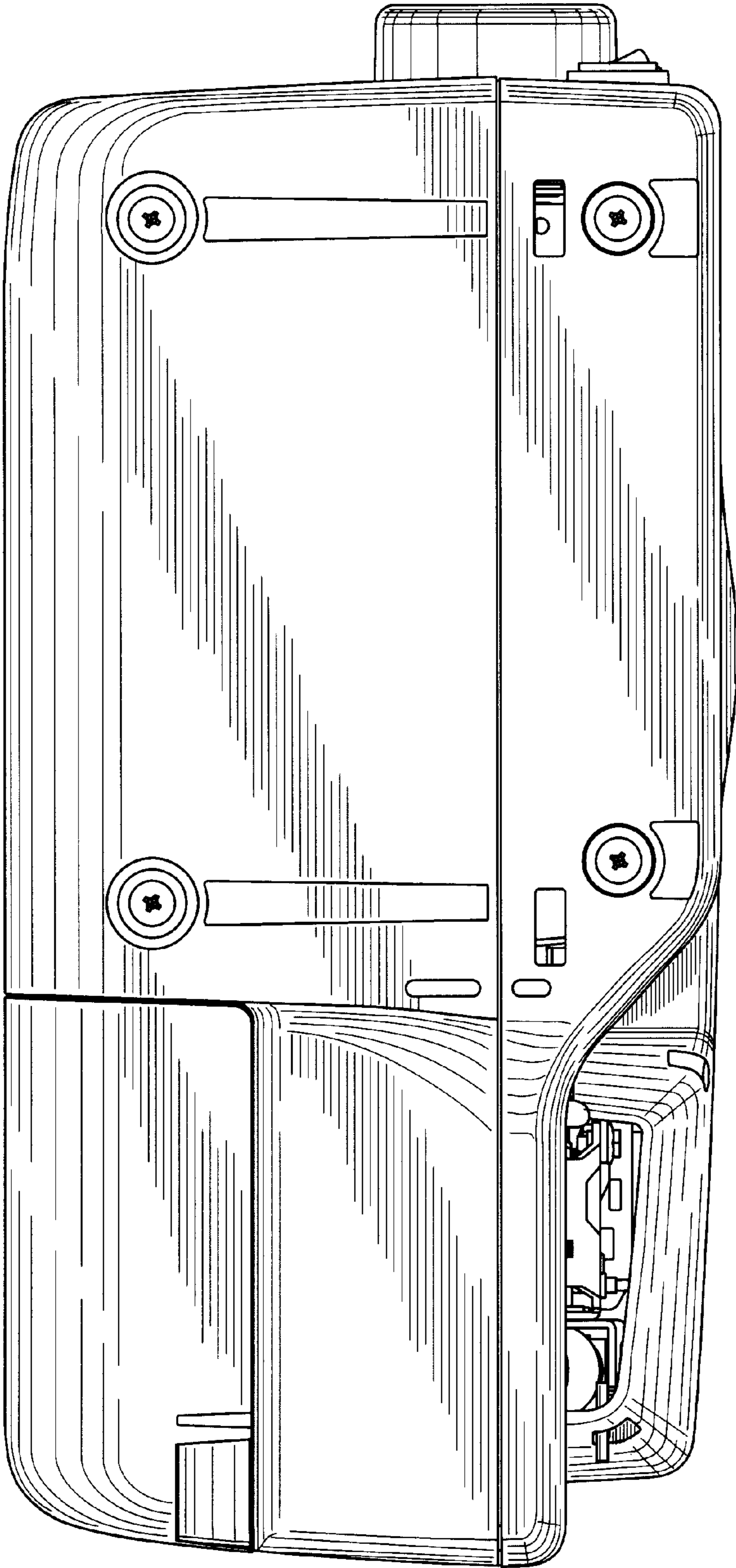


FIG. 7

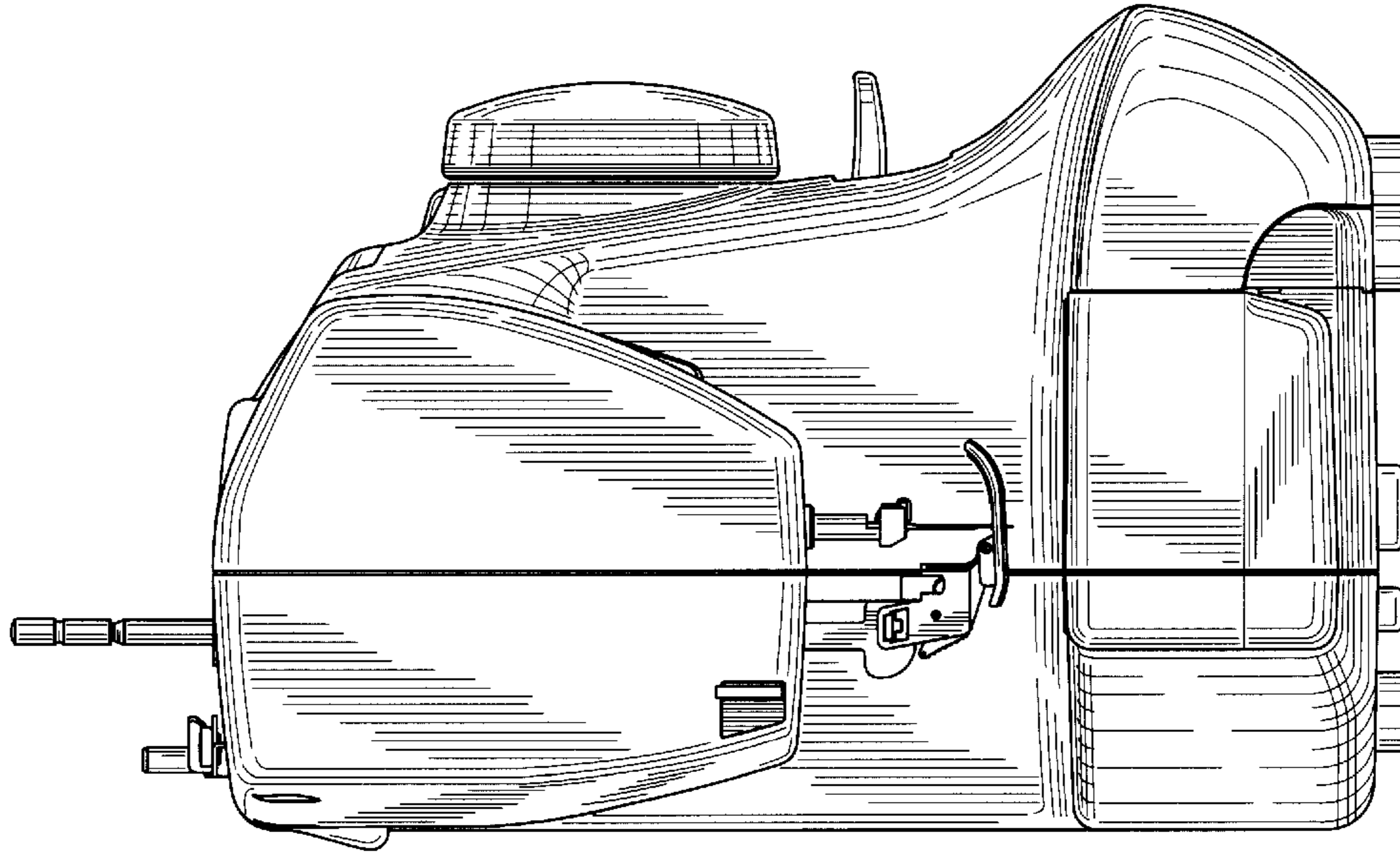


FIG. 6

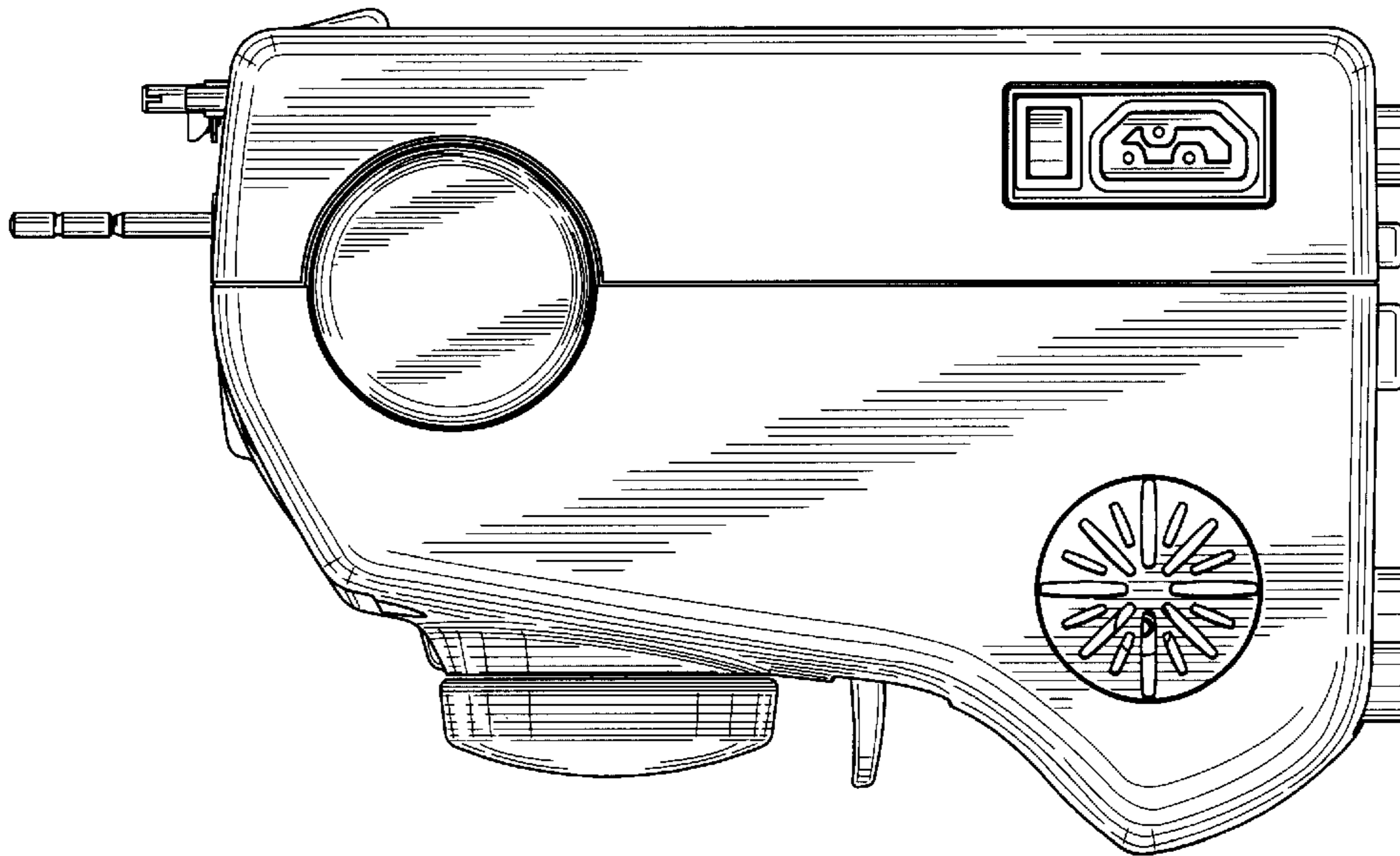


FIG. 8

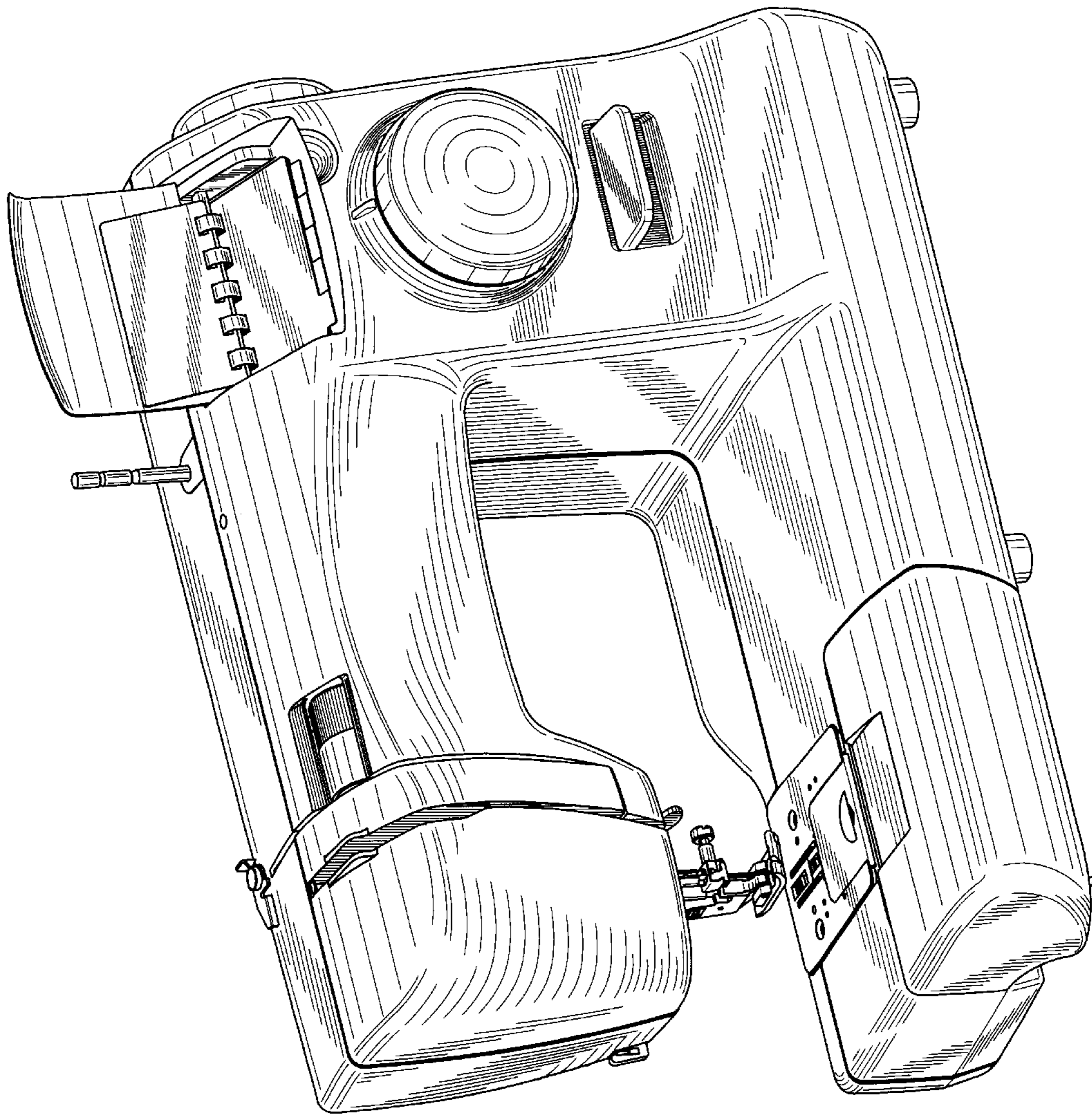


FIG. 9

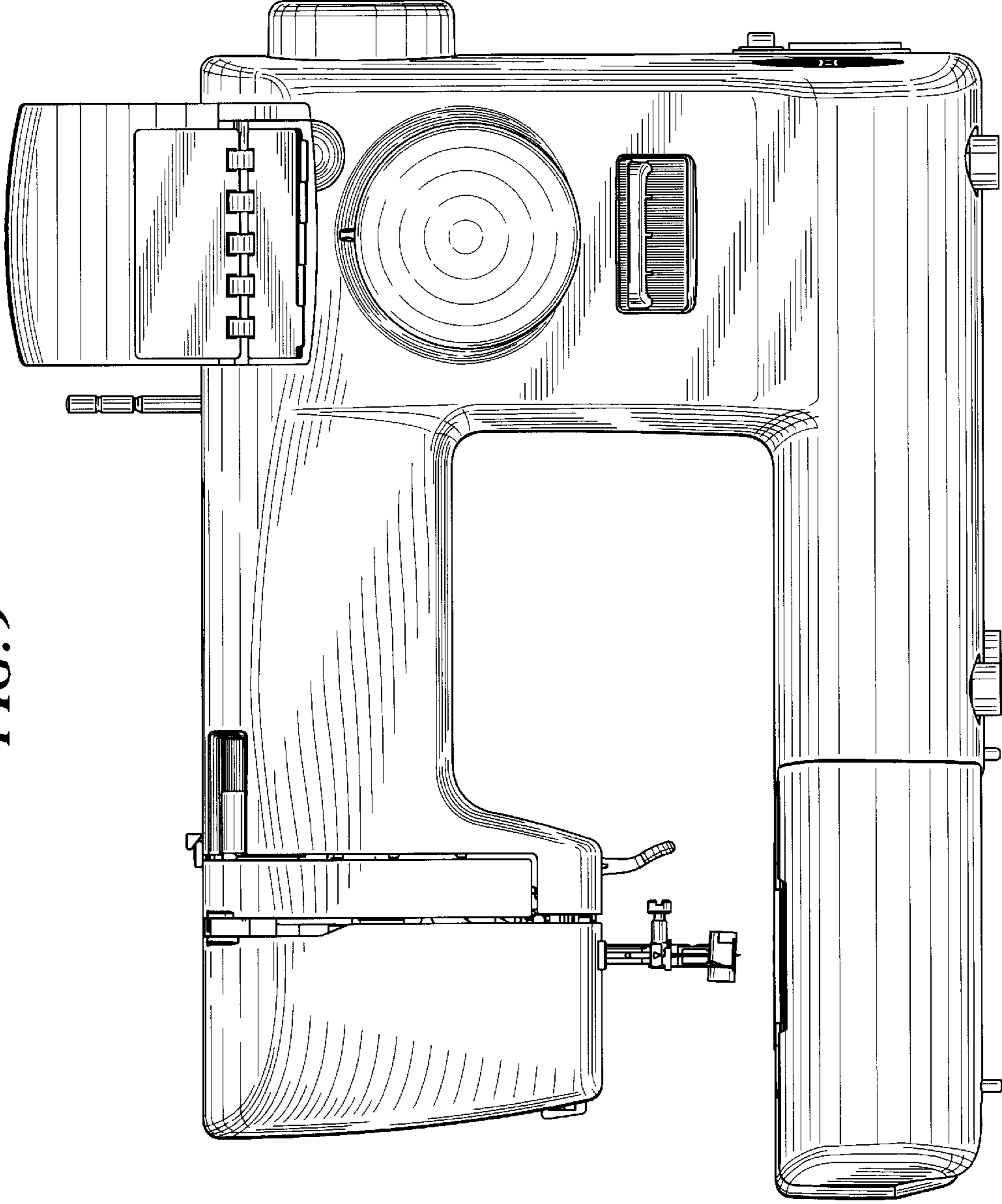


FIG. 10

