



US00D536006S

(12) **United States Design Patent**
Lacey

(10) **Patent No.:** **US D536,006 S**

(45) **Date of Patent:** **** Jan. 30, 2007**

(54) **PUMP**

(75) Inventor: **Christopher G Lacey**, Victoria (AU)

(73) Assignee: **Davey Products Pty. Ltd.**, Victoria (AU)

(**) Term: **14 Years**

(21) Appl. No.: **29/240,612**

(22) Filed: **Oct. 14, 2005**

(51) **LOC (8) Cl.** **15-02**

(52) **U.S. Cl.** **D15/7**

(58) **Field of Classification Search** D15/7-9;
D23/232, 231; 417/359, 415-416, 410.1,
417/321, 265, 405

See application file for complete search history.

(56) **References Cited**

U.S. PATENT DOCUMENTS

4,202,654 A * 5/1980 Marlow 415/113
D503,411 S * 3/2005 Fujiwara D15/7
D510,363 S * 10/2005 Leone et al. D15/7

OTHER PUBLICATIONS

Davey Products Pty. Ltd. Brochure, "Hurricane: The New High Pressure Water Force," © 1999 (4 pages).

* cited by examiner

Primary Examiner—Ralf Seifert

(74) *Attorney, Agent, or Firm*—Intellectual Property Law Group LLP; Otto O. Lee; Juneko Jackson

(57) **CLAIM**

The ornamental design for a pump, as shown and described.

DESCRIPTION

FIG. 1 is a perspective view of a pump, embodying my new design;

FIG. 2 is a front view thereof;

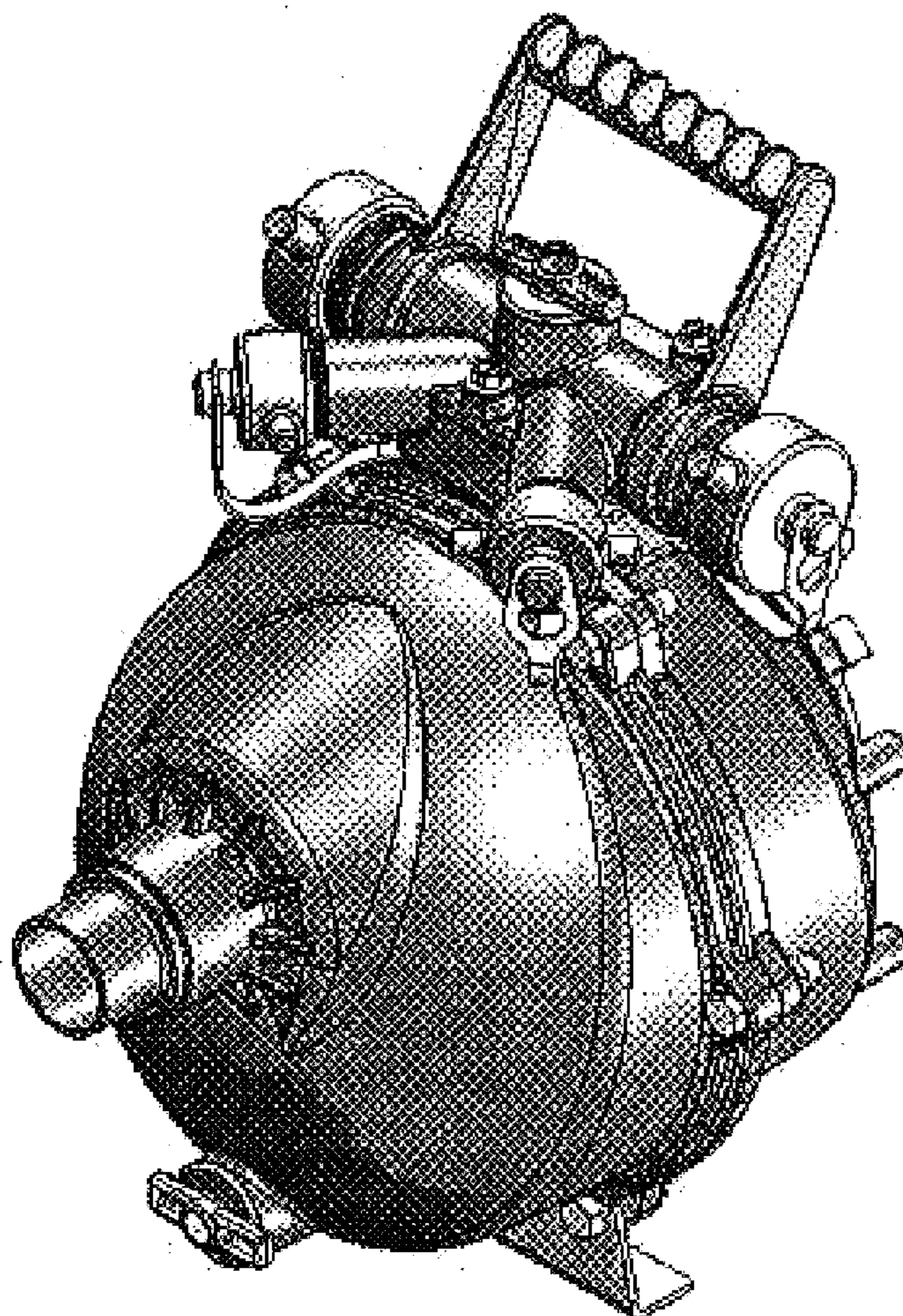
FIG. 3 is a rear view thereof;

FIG. 4 is right side elevational view thereof;

FIG. 5 is a top plan view thereof; and,

FIG. 6 is a bottom plan view thereof.

1 Claim, 2 Drawing Sheets



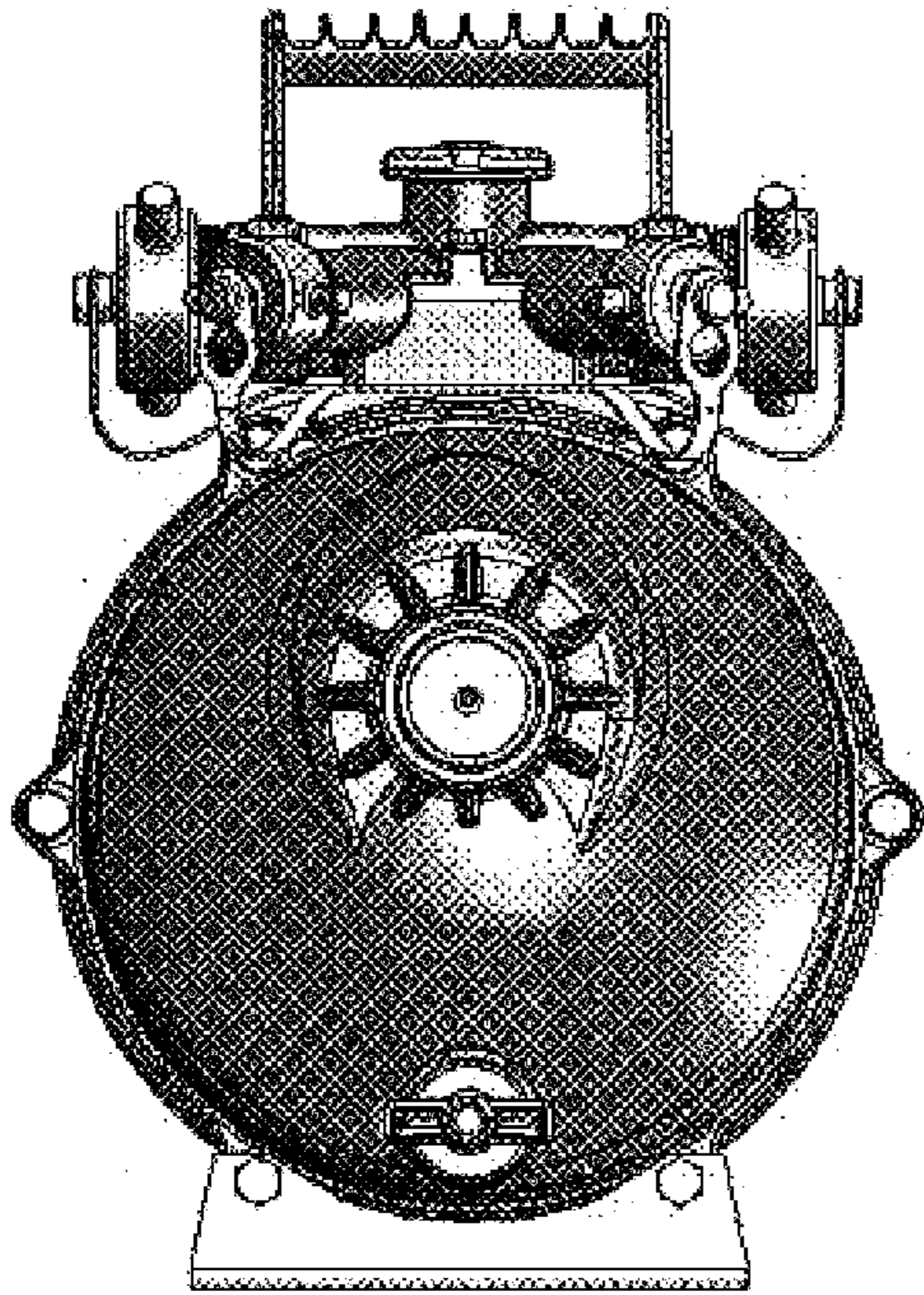


FIG 2

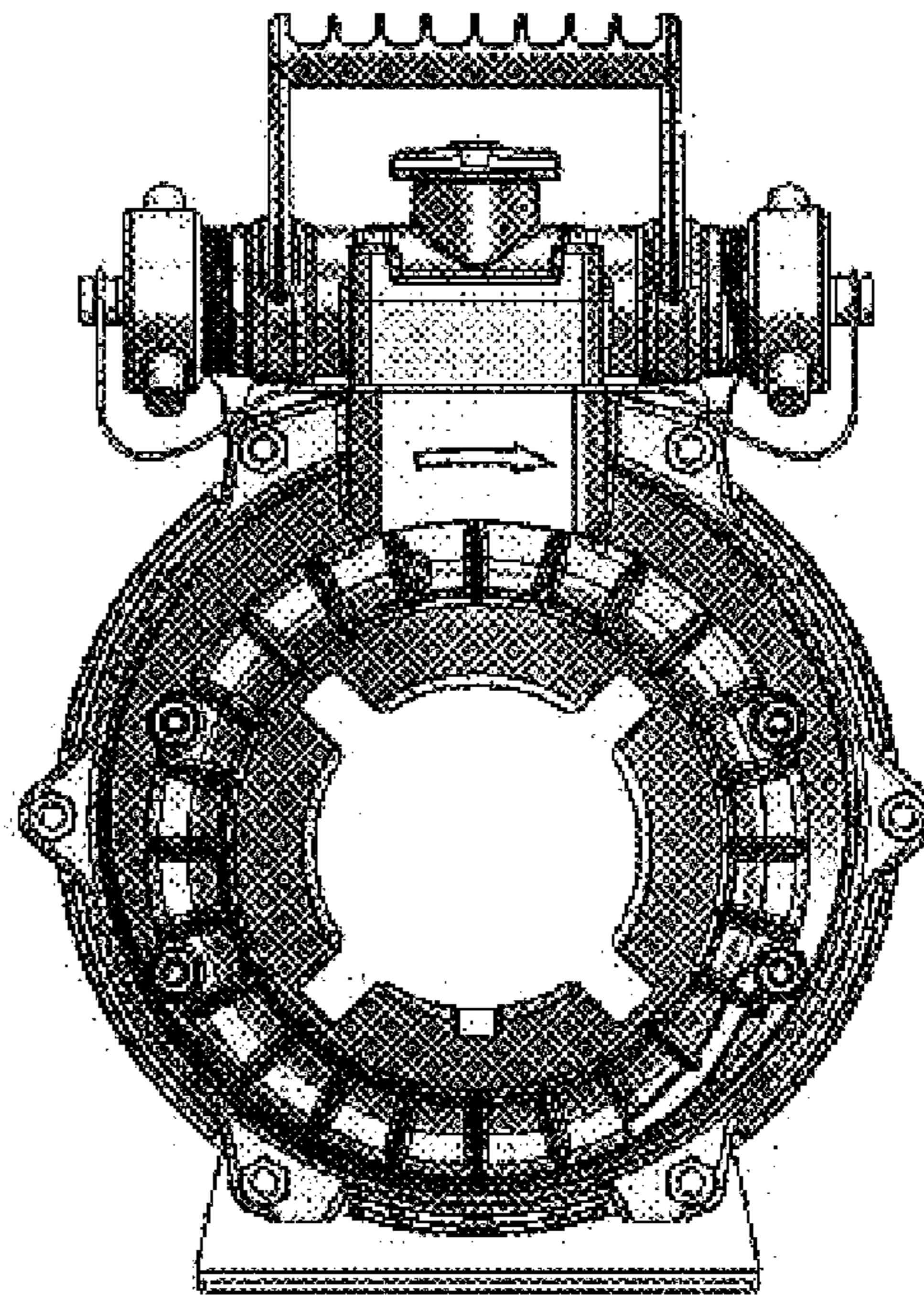


FIG 3

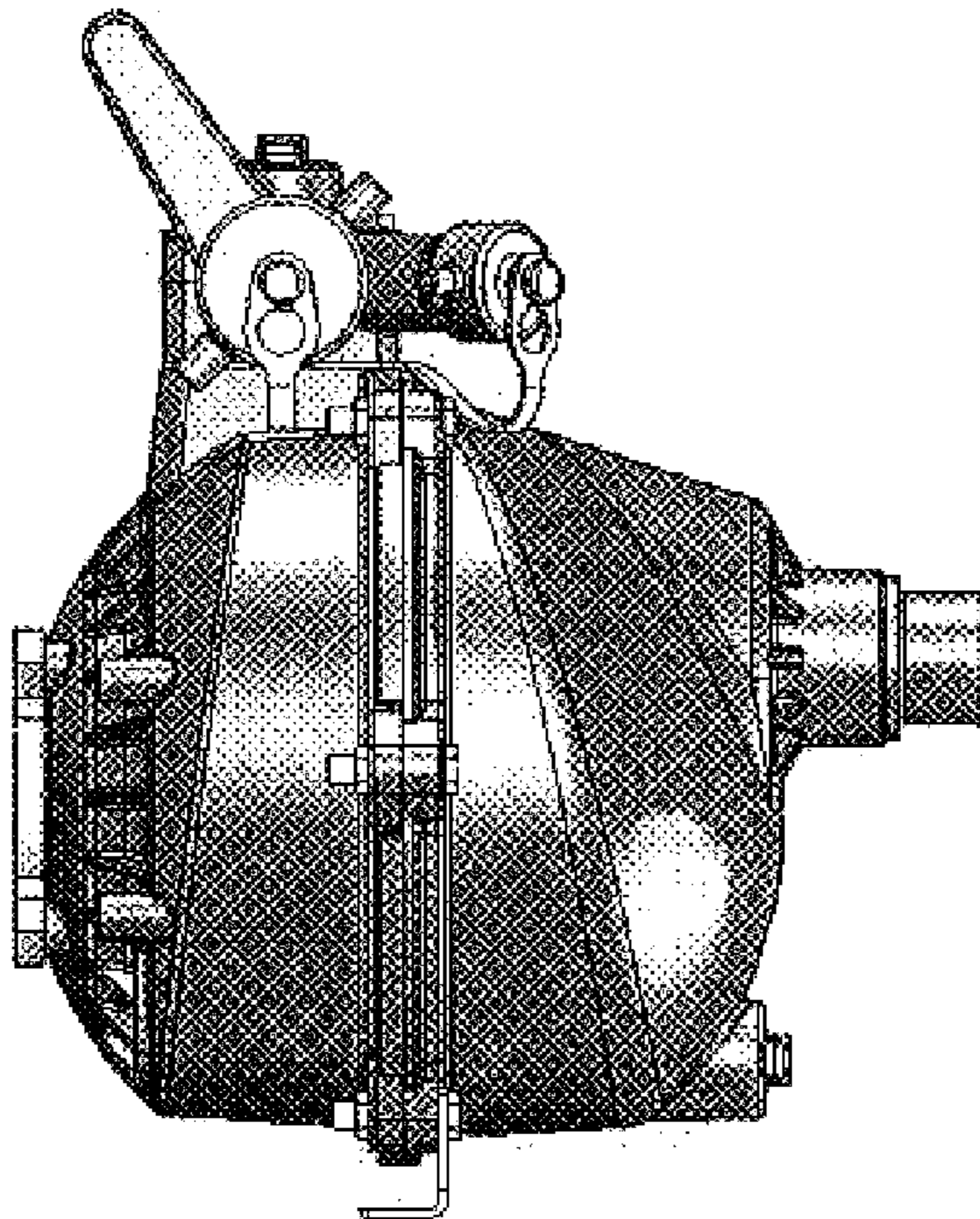


FIG 4

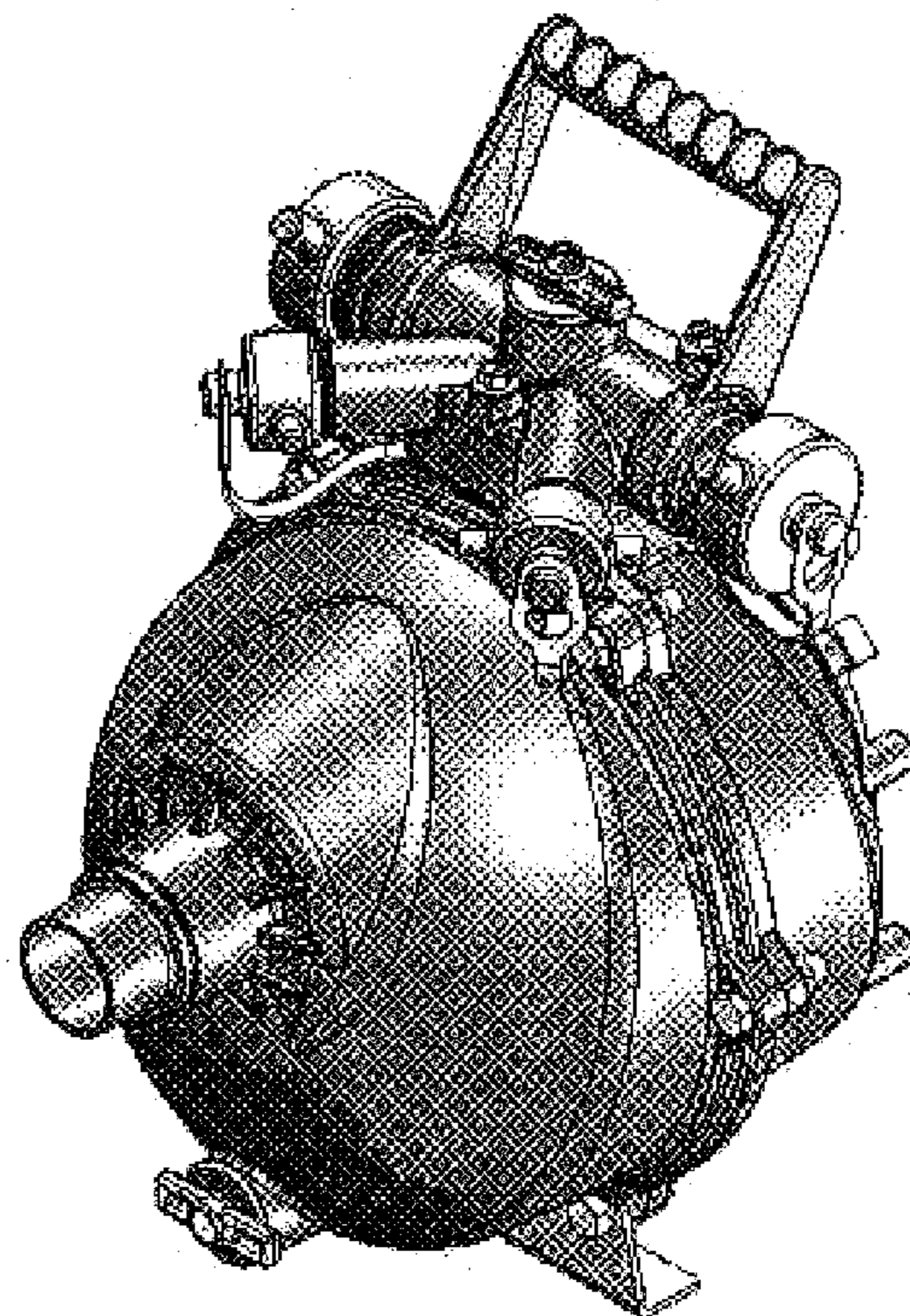


FIG 1

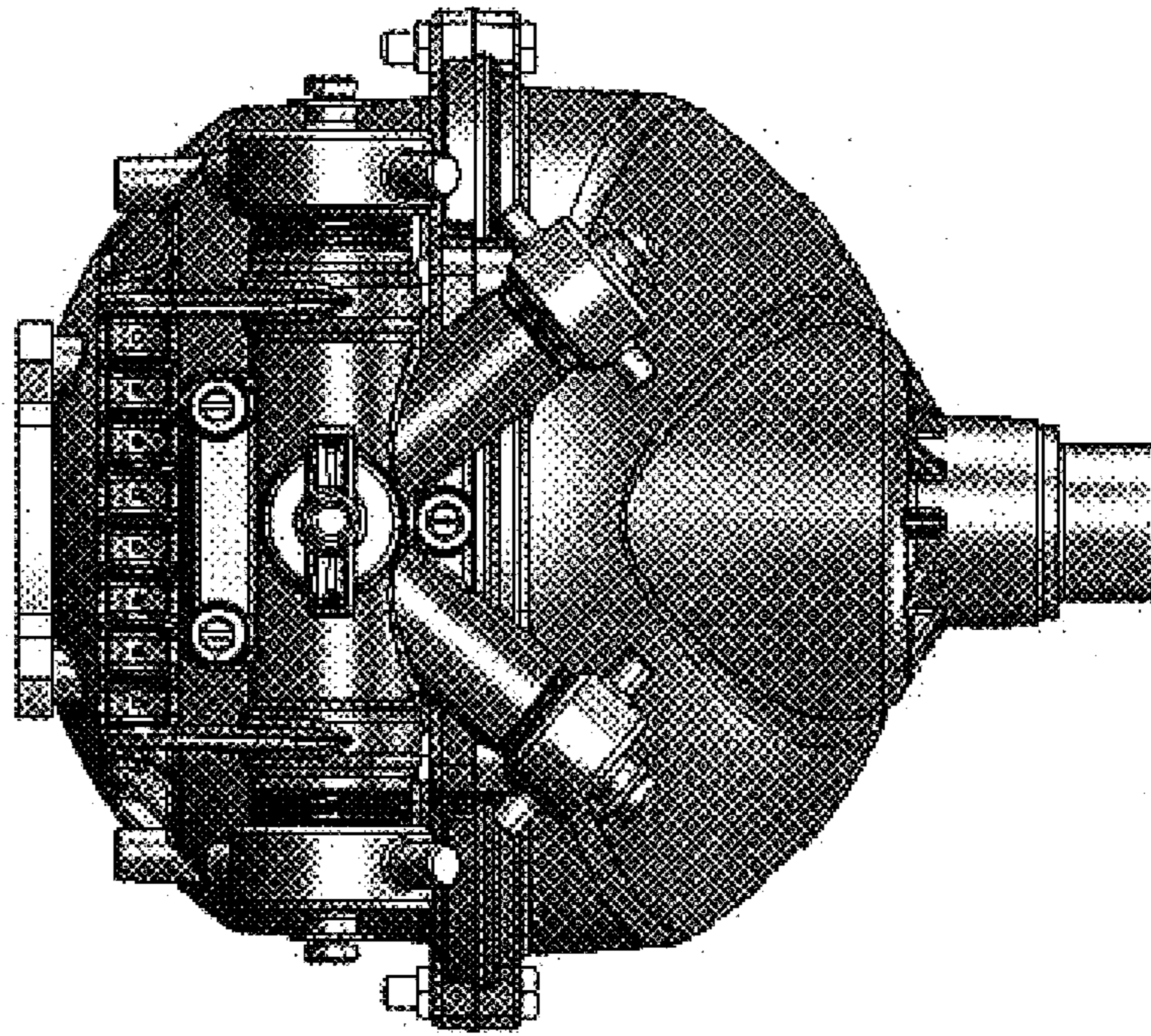


FIG 5

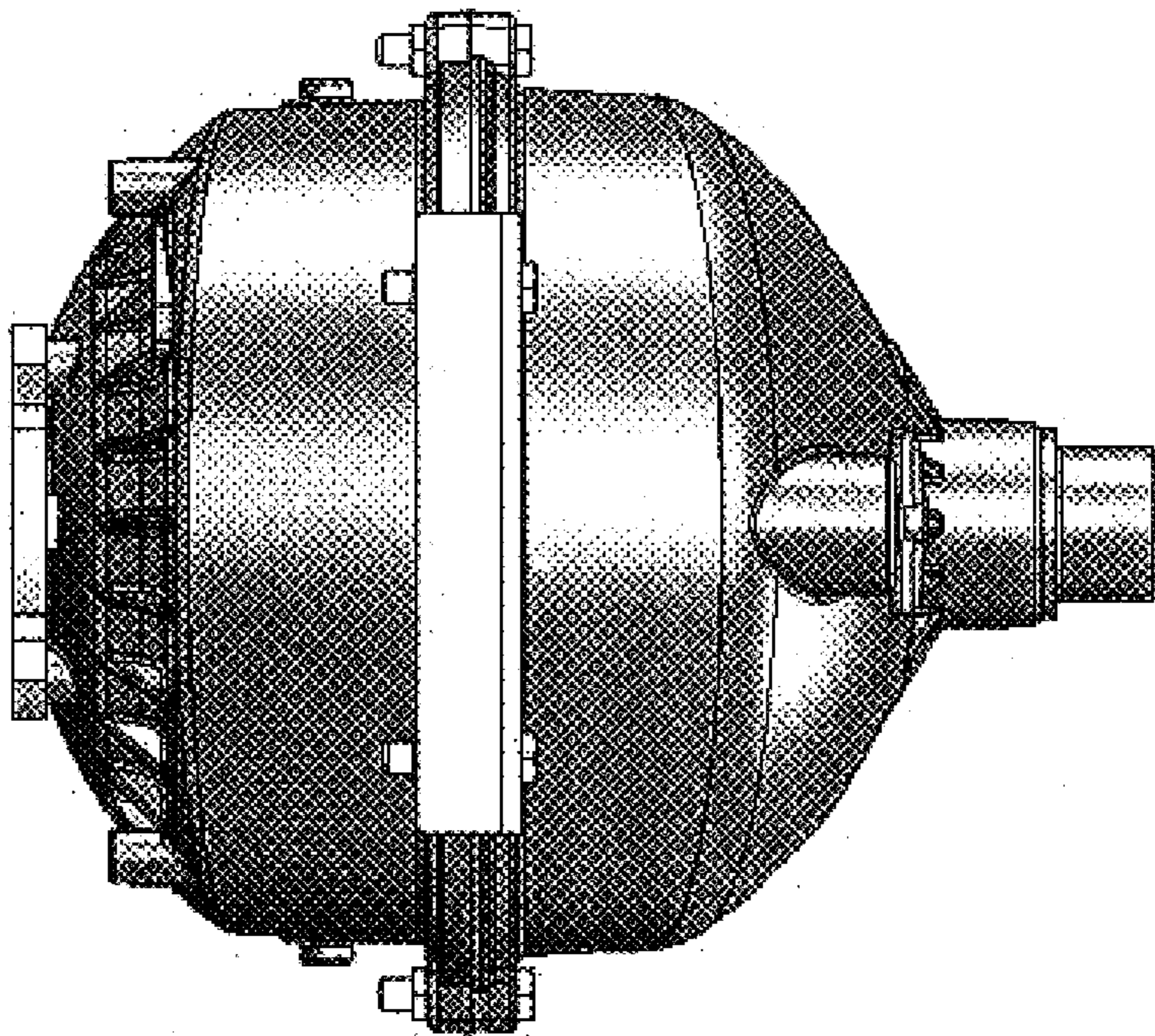


FIG 6