



US00D536005S

(12) **United States Design Patent**
Reverberi

(10) **Patent No.:** **US D536,005 S**

(45) **Date of Patent:** **** Jan. 30, 2007**

(54) **PISTON PUMP**

D294,358 S * 2/1988 Valentin D15/7
D456,819 S * 5/2002 Sebion et al. D15/7

(75) Inventor: **Stefano Reverberi**, Modena (IT)

* cited by examiner

(73) Assignee: **Annovi Reverberi S.p.A.**, Modena (IT)

Primary Examiner—Charles A. Rademaker

Assistant Examiner—Maurice Stevens

(**) Term: **14 Years**

(74) *Attorney, Agent, or Firm*—Browdy and Neimark, PLLC

(21) Appl. No.: **29/221,516**

(22) Filed: **Jan. 19, 2005**

(57) **CLAIM**

The ornamental design for “piston pump,” as shown and described.

(51) **LOC (8) Cl.** **15-01**

(52) **U.S. Cl.** **D15/5**

(58) **Field of Classification Search** D15/1-9.1;
60/408-409, 443-445, 448, 451, 452; 417/91-98,
417/60, 360, 366, 900; 123/495, 509; 415/140-147;
184/26; D13/114

DESCRIPTION

See application file for complete search history.

FIG. 1 is a perspective view of a piston pump showing, my new design;

FIG. 2 is a top plan view thereof;

FIG. 3 is a front elevation thereof;

FIG. 4 is a right end view thereof;

FIG. 5 is a left end view thereof;

FIG. 6 is a bottom plan view thereof; and,

FIG. 7 is a rear elevation view thereof.

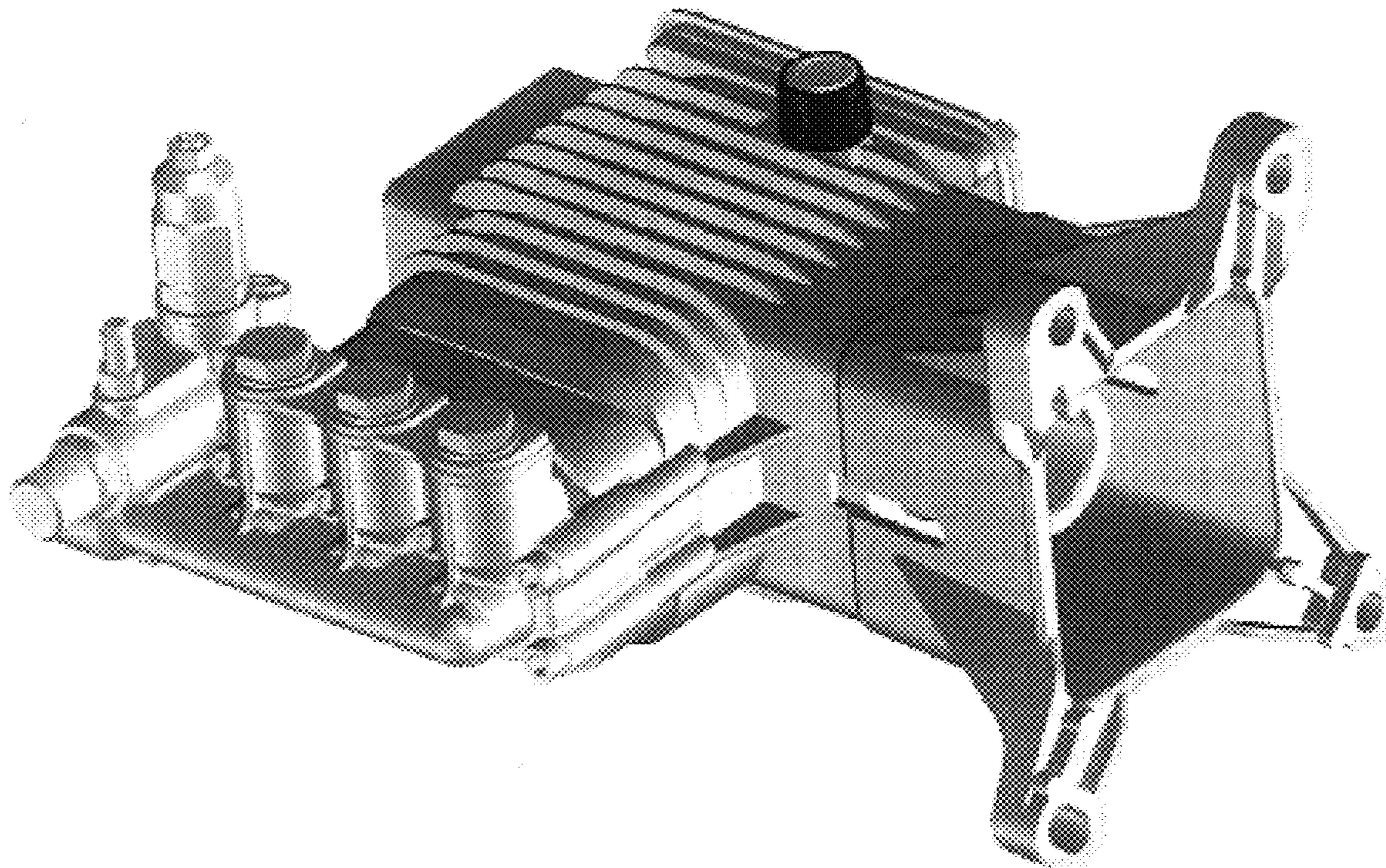
(56) **References Cited**

U.S. PATENT DOCUMENTS

D271,976 S * 12/1983 Brown D15/7

D273,586 S * 4/1984 Hodgson D15/7

1 Claim, 4 Drawing Sheets



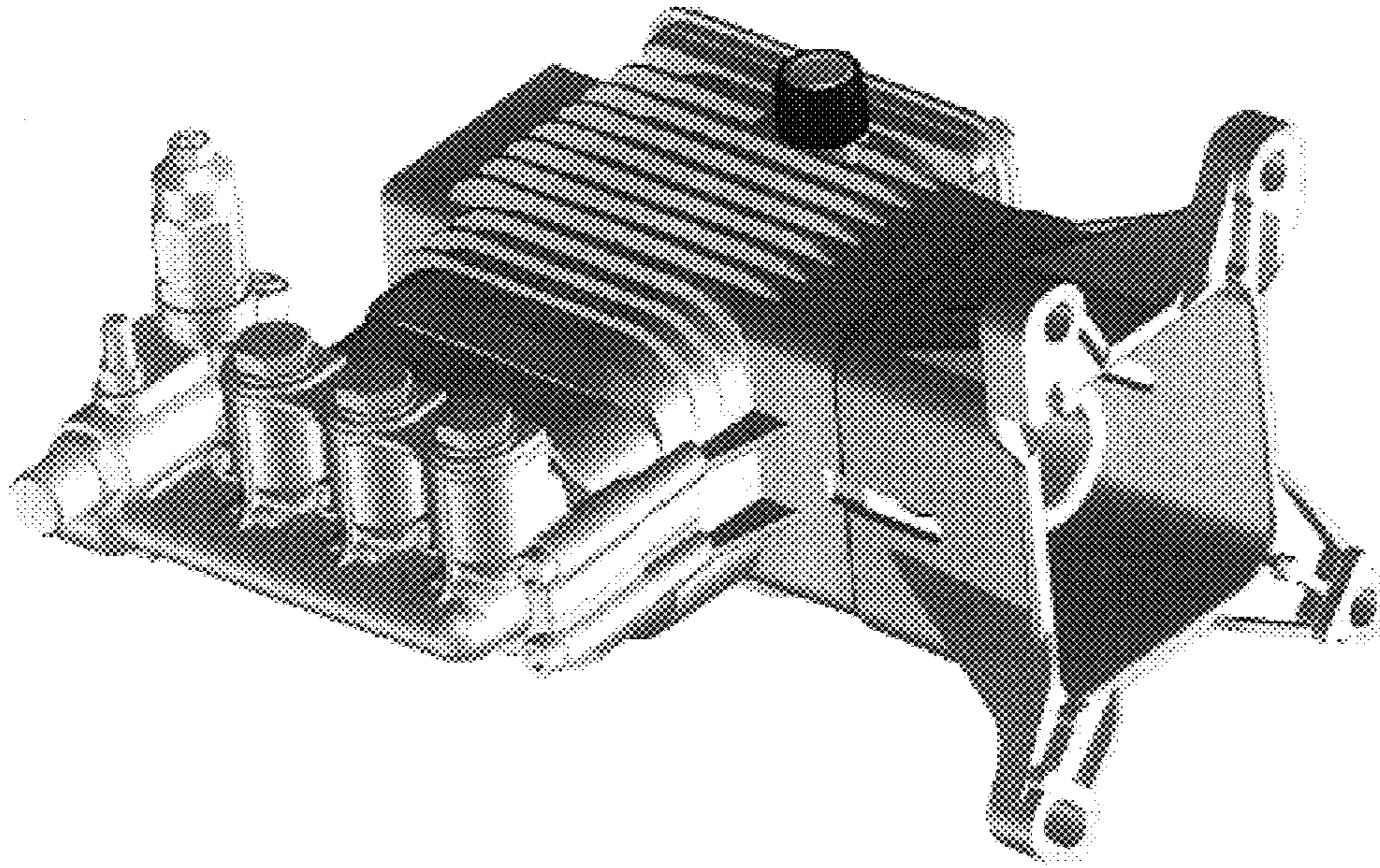


FIG. 1

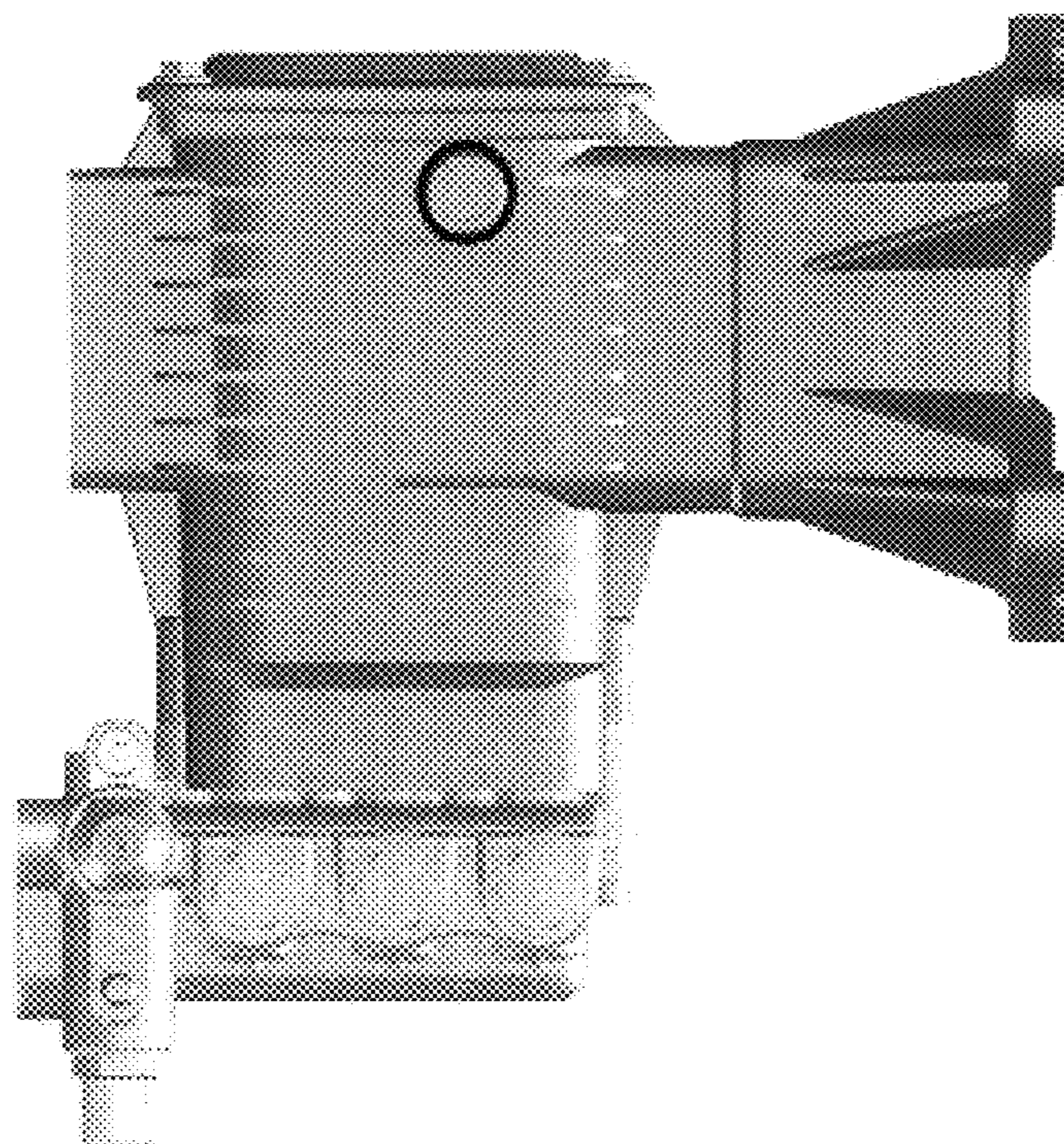


FIG. 2

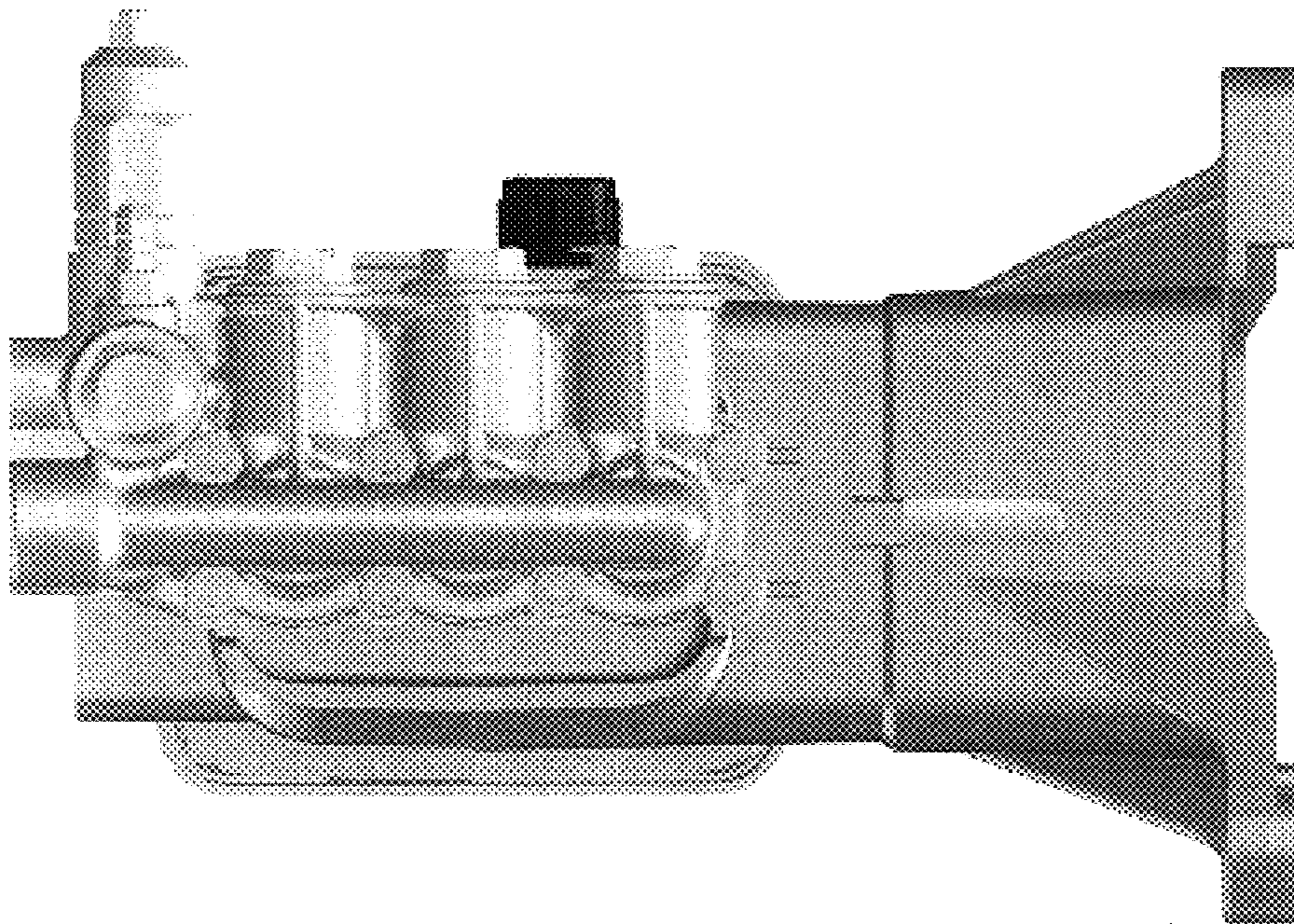


FIG. 3

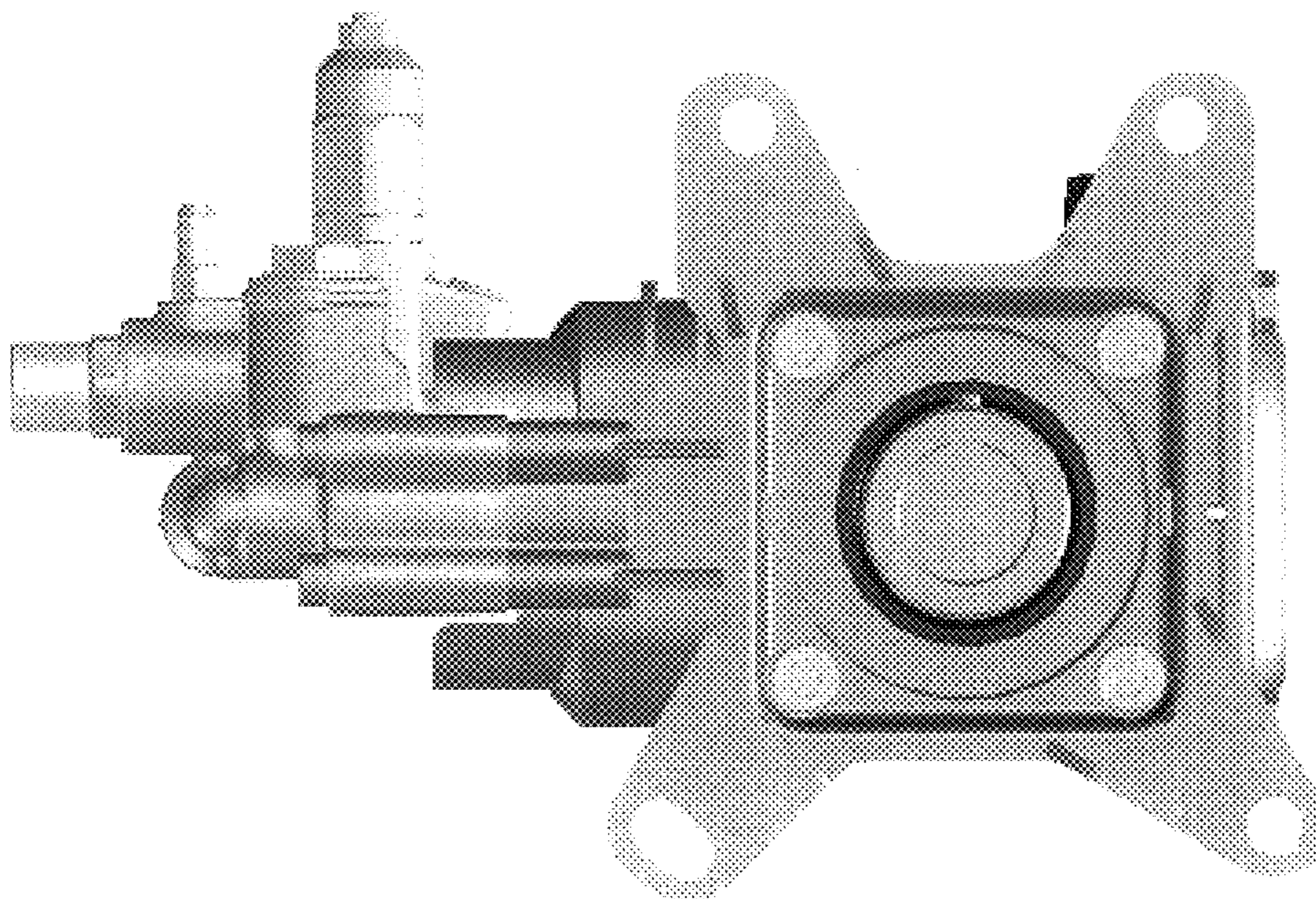


FIG. 4

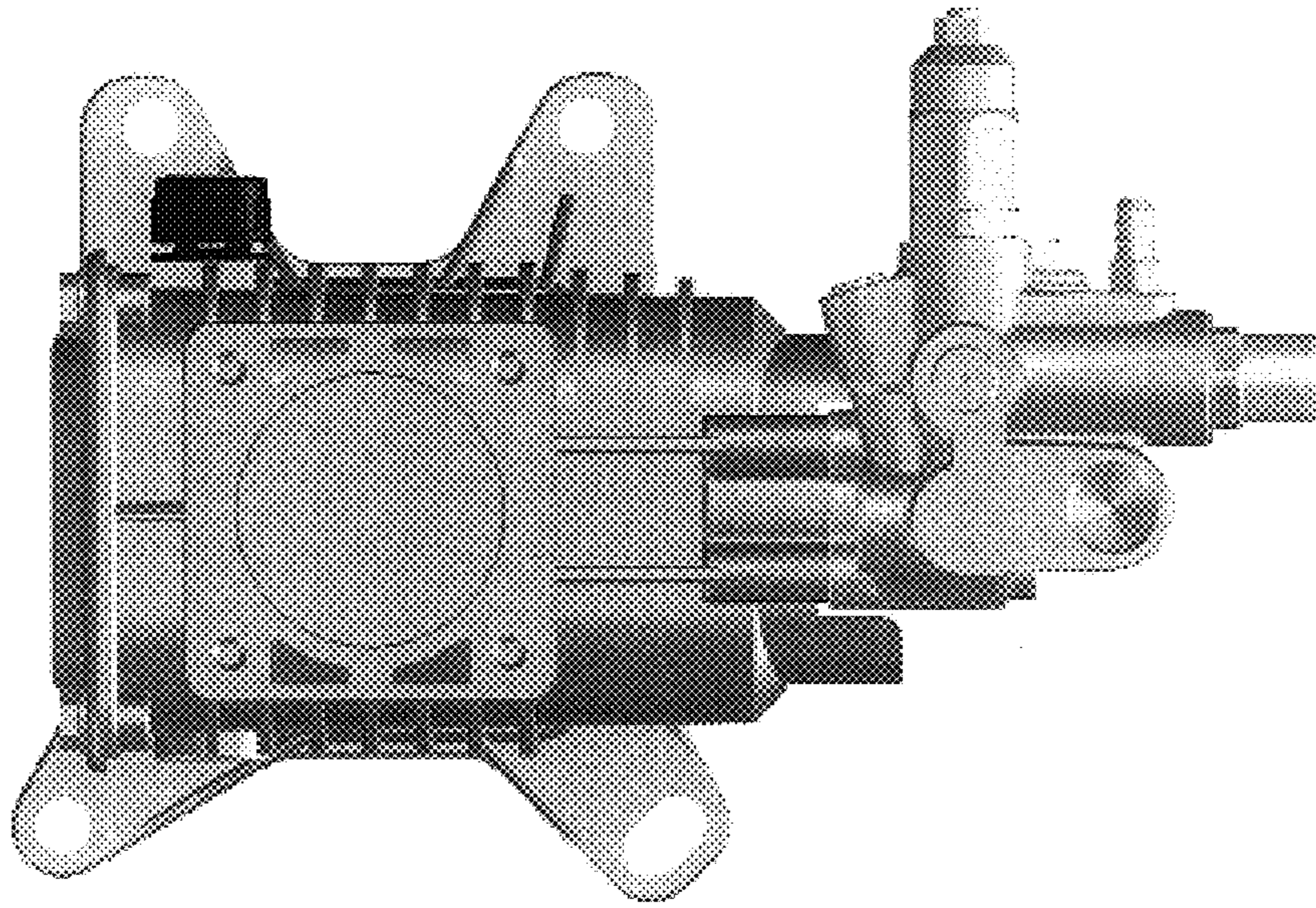


FIG. 5

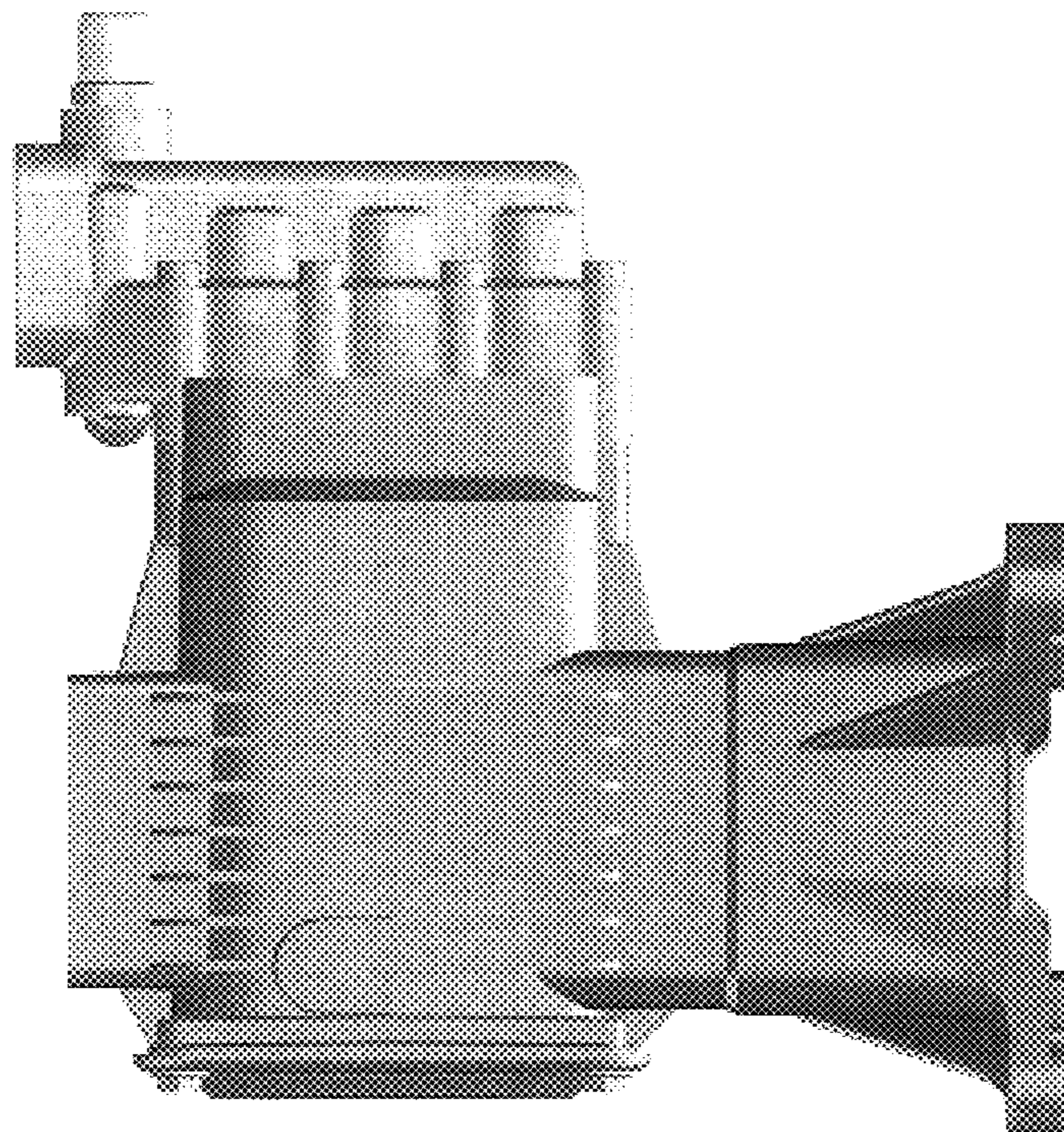


FIG. 6

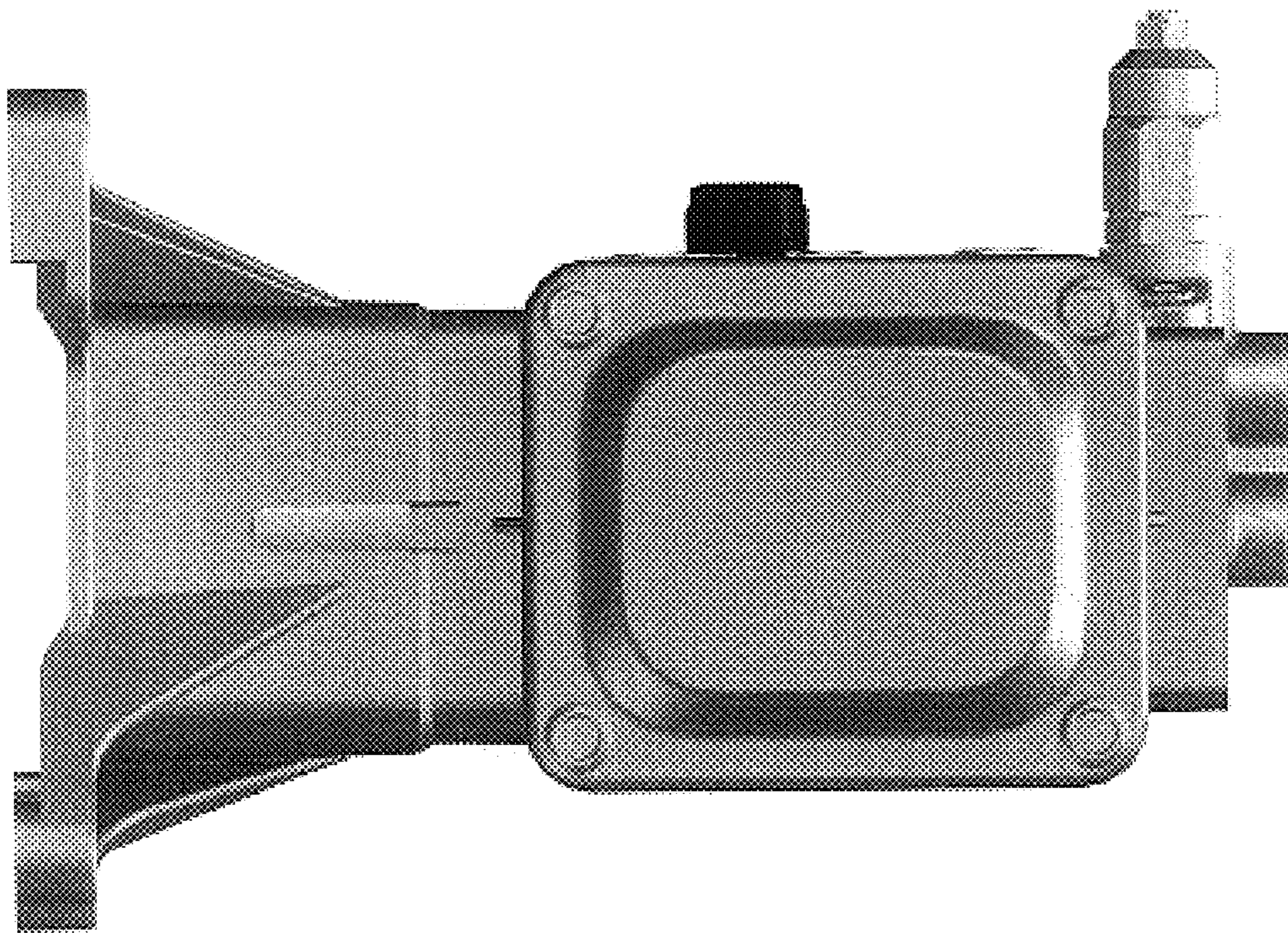


FIG. 7