



US00D535990S

(12) **United States Design Patent**  
**Zhang et al.**

(10) **Patent No.:** **US D535,990 S**  
(45) **Date of Patent:** **\*\* Jan. 30, 2007**

(54) **NOTEBOOK COMPUTER**

(75) Inventors: **Yue-Hai Zhang**, Shenzhen (CN);  
**Chien-Li Tsai**, Tu-Cheng (TW)

(73) Assignee: **Hon Hai Precision Industry Co. Ltd.**,  
Taipei Hsien (TW)

(\*\*) Term: **14 Years**

(21) Appl. No.: **29/243,486**

(22) Filed: **Nov. 23, 2005**

(30) **Foreign Application Priority Data**

Aug. 31, 2005 (CN) ..... 200530068651

(51) **LOC (8) Cl.** ..... **14-02**

(52) **U.S. Cl.** ..... **D14/315**

(58) **Field of Classification Search** ..... D14/315-328;  
D18/1, 2, 7; 235/145 A, 145 R; 345/104,  
345/156, 168, 173, 901-905; 341/22, 23;  
361/680-686; 400/486, 489

See application file for complete search history.

(56) **References Cited**

**U.S. PATENT DOCUMENTS**

D480,079 S \* 9/2003 Miao et al. .... D14/315

D489,366 S \* 5/2004 Lu ..... D14/318

D511,515 S \* 11/2005 Huang et al. .... D14/327

**FOREIGN PATENT DOCUMENTS**

KR 30-0344382 2/2004

\* cited by examiner

*Primary Examiner*—Freda S. Nunn

(74) *Attorney, Agent, or Firm*—Jeffrey T. Knapp

(57) **CLAIM**

The ornamental design for a notebook computer, as shown and described.

**DESCRIPTION**

FIG. 1 is a perspective view of a notebook computer showing our new design;

FIG. 2 is a front elevational view thereof;

FIG. 3 is a rear elevational view thereof;

FIG. 4 is a left-side, elevational view thereof;

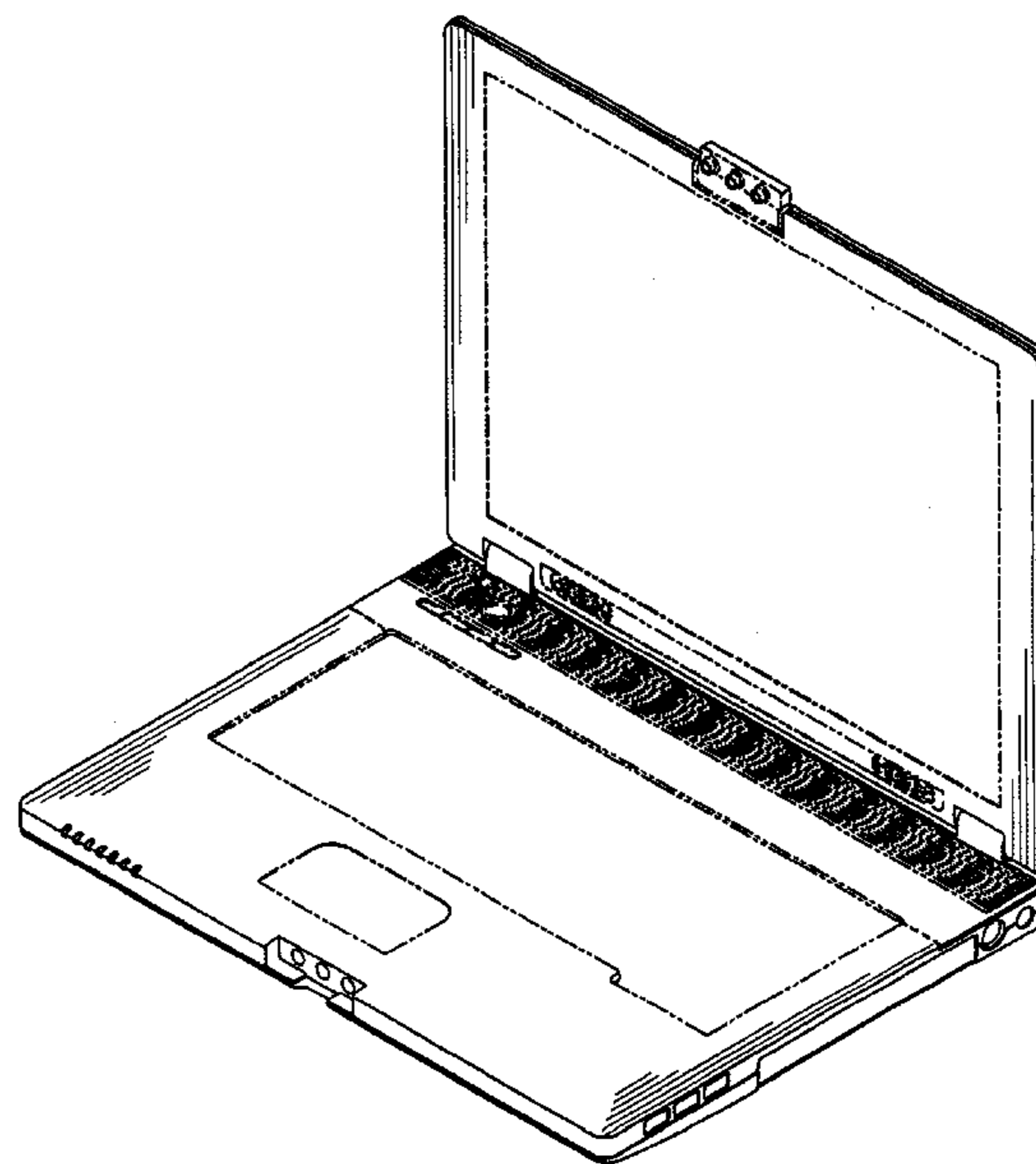
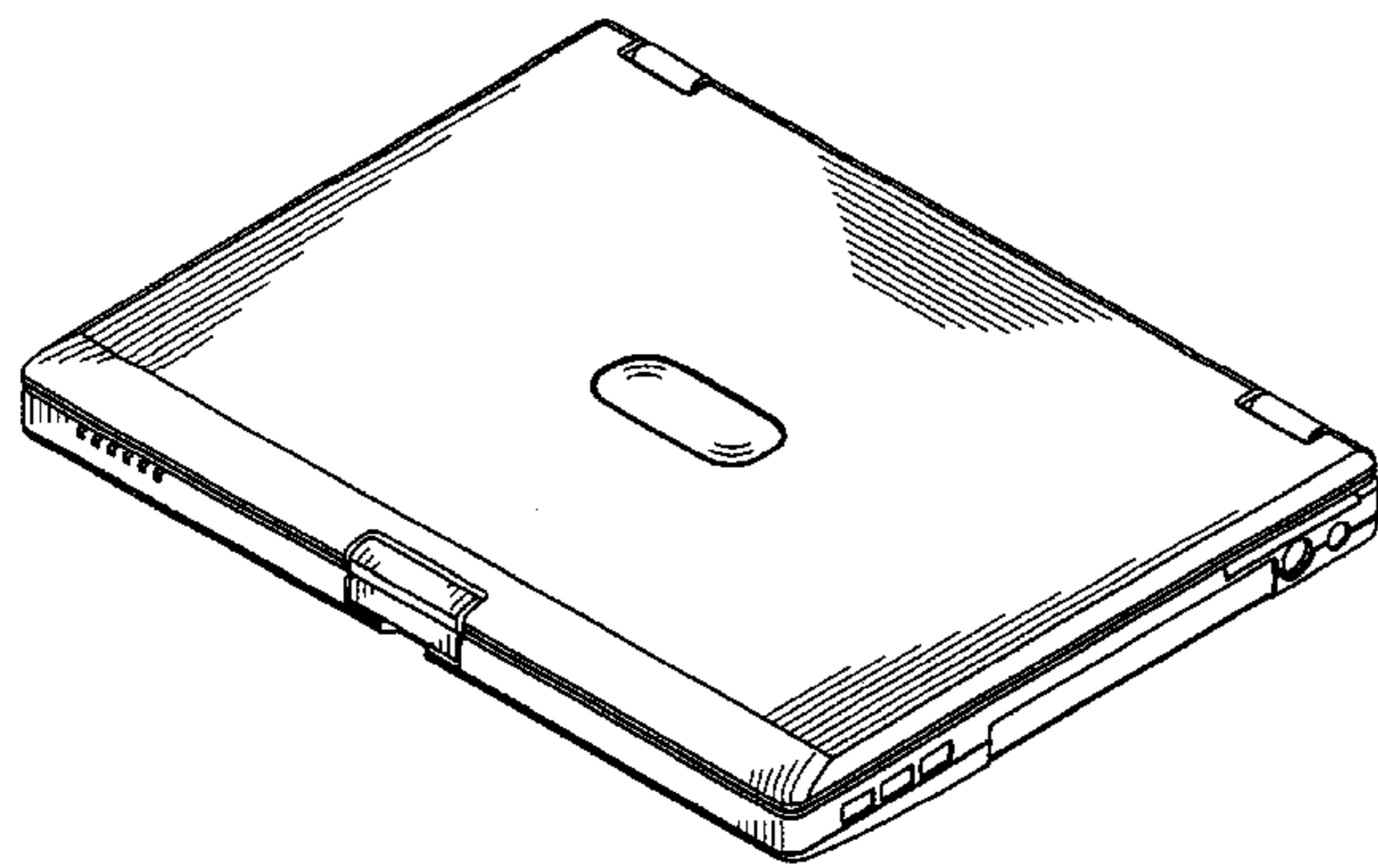
FIG. 5 is a right-side, elevational view thereof;

FIG. 6 is a top plan view thereof;

FIG. 7 is a bottom plan view thereof; and,

FIG. 8 is a perspective view thereof in an open position for explanatory purpose only and in a reduced scale, wherein the parts shown in broken lines form no part of the claimed design.

**1 Claim, 6 Drawing Sheets**



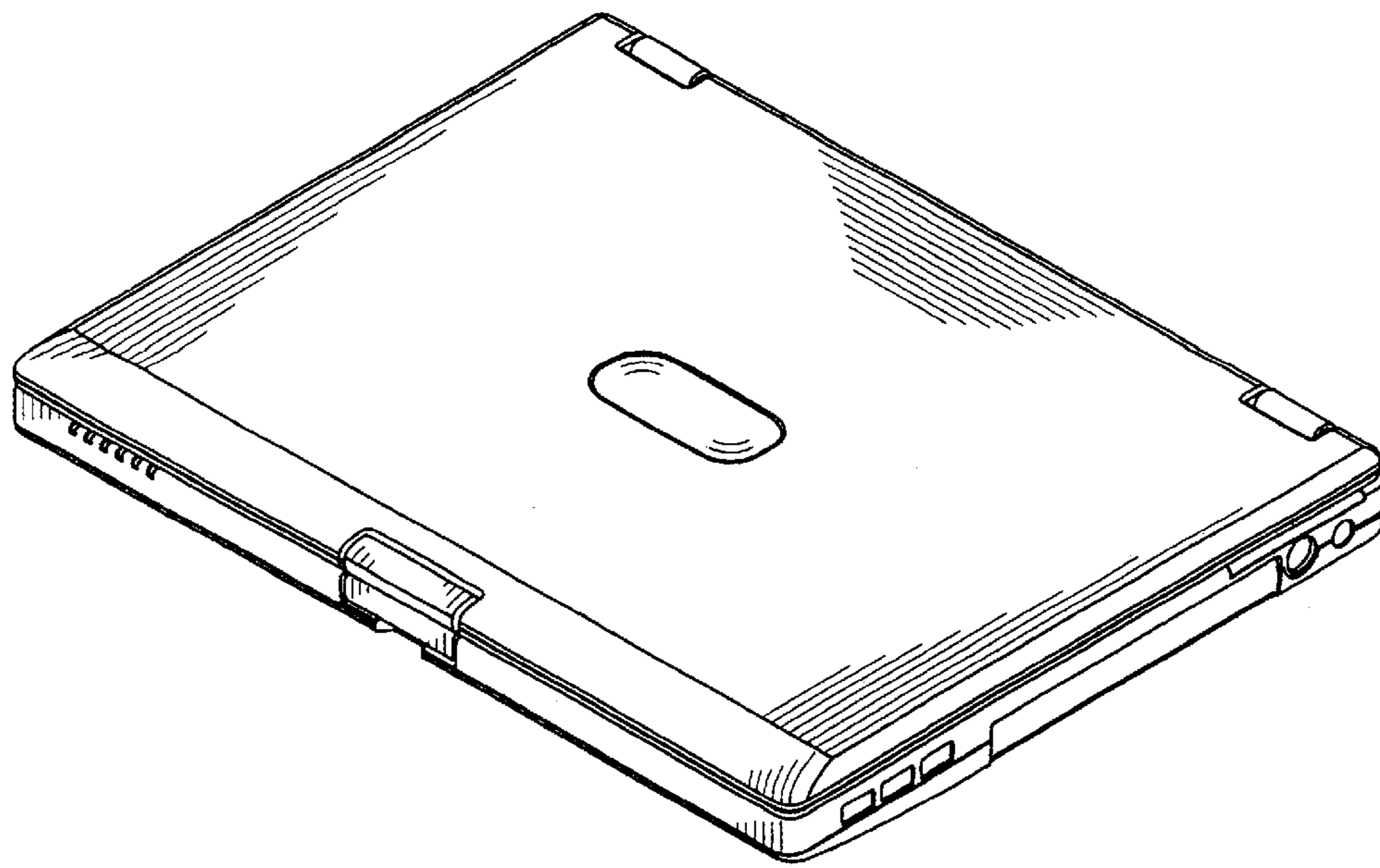


FIG. 1

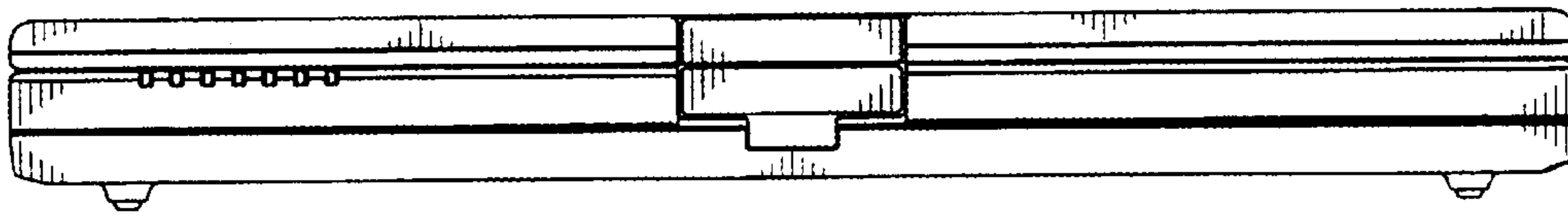


FIG. 2

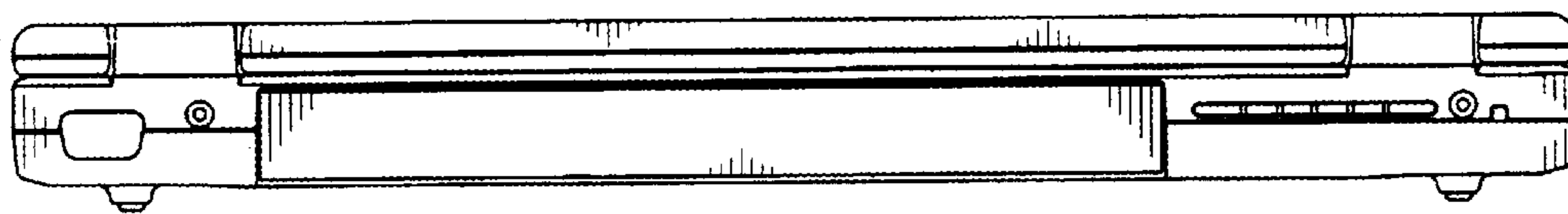


FIG. 3

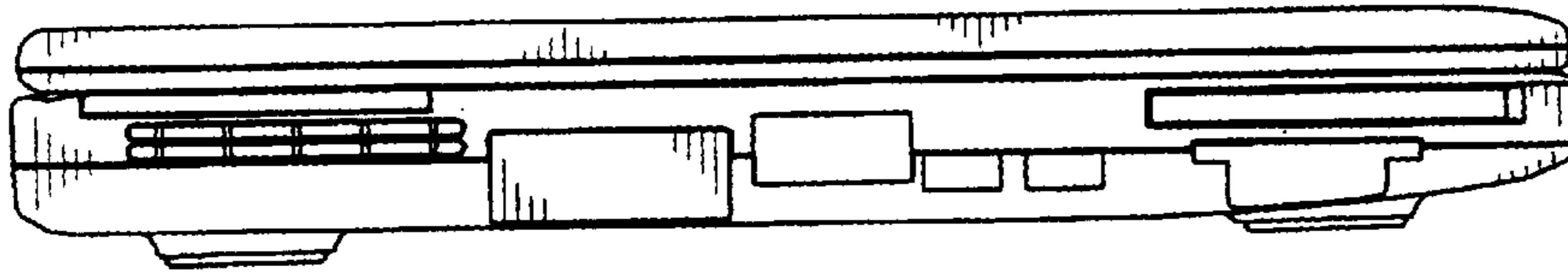


FIG. 4

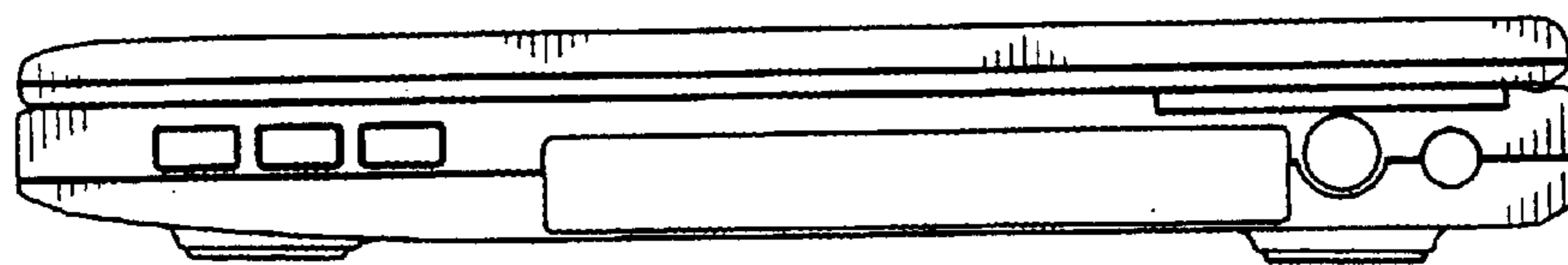


FIG. 5

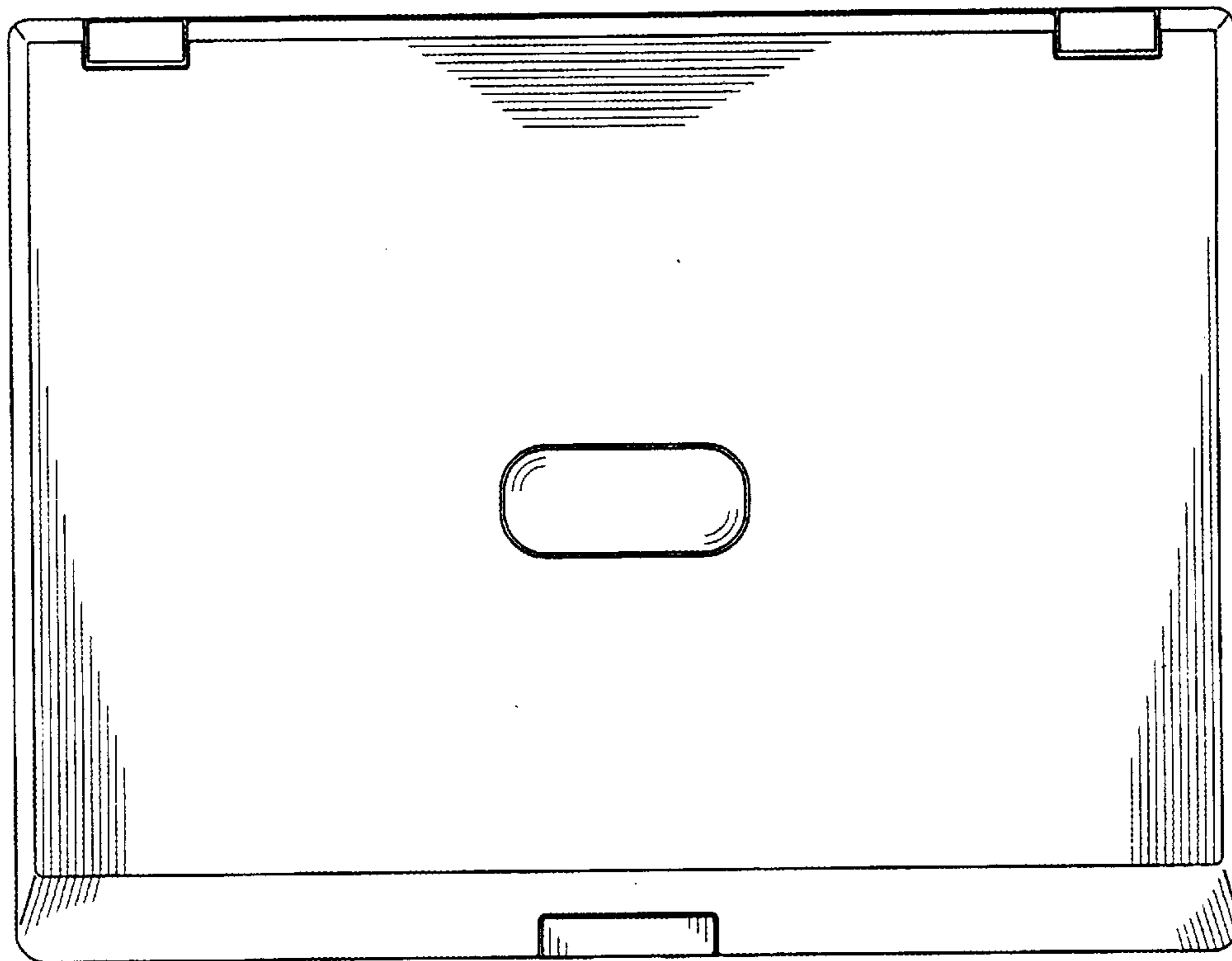


FIG. 6

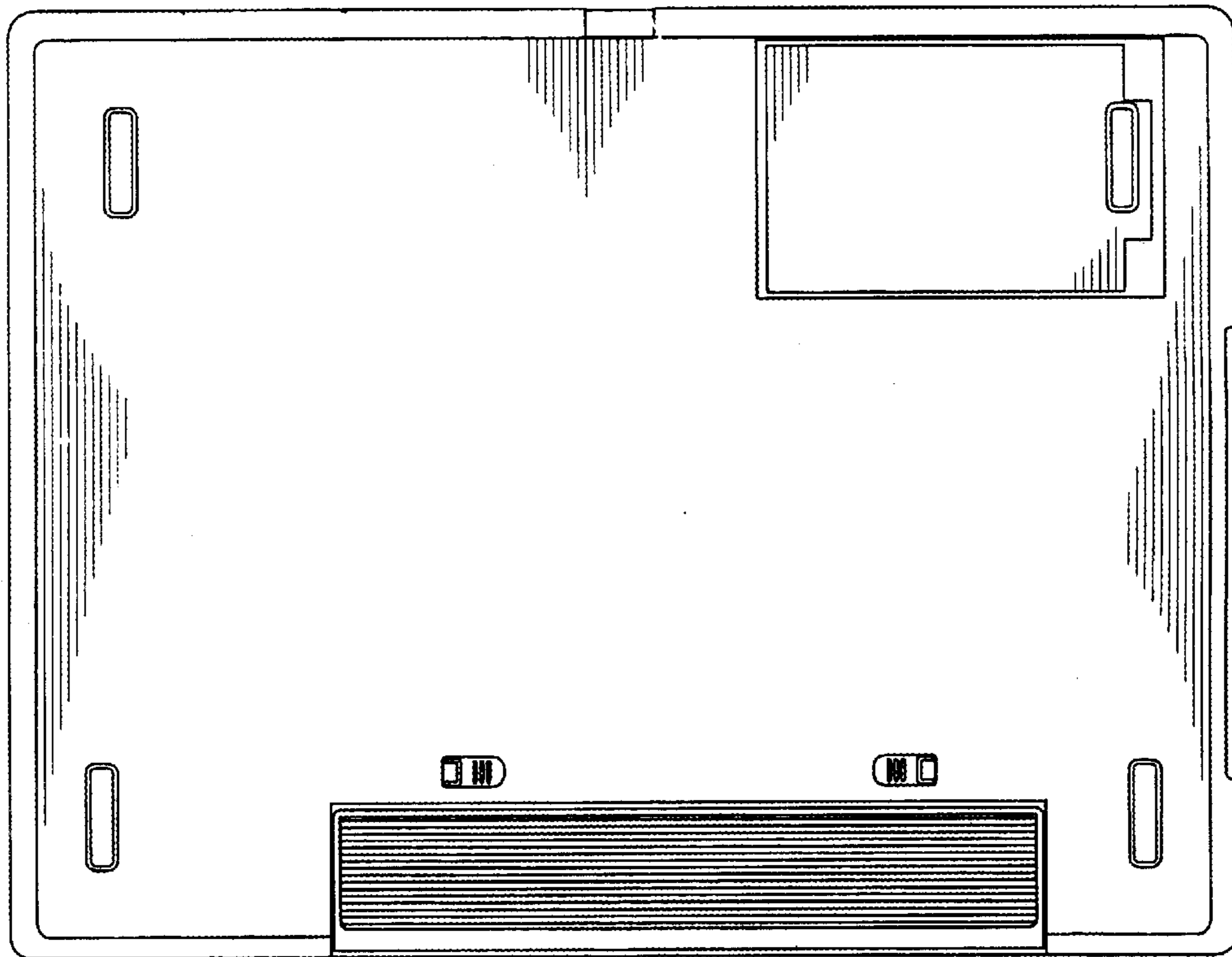


FIG. 7

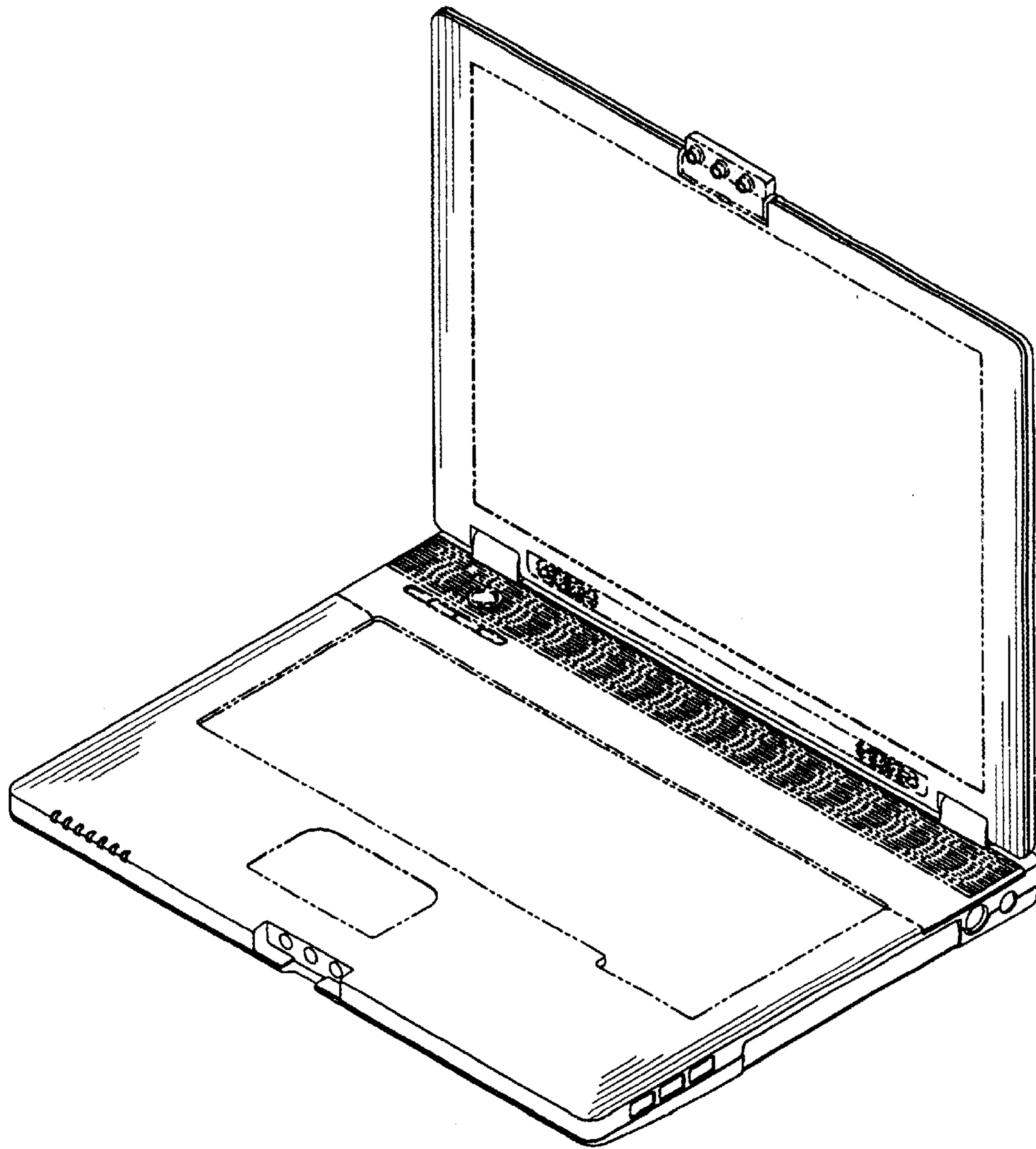


FIG. 8