

US00D535988S

(12) **United States Design Patent** (10) **Patent No.:** **US D535,988 S**  
**Kettula et al.** (45) **Date of Patent:** **\*\* Jan. 30, 2007**

(54) **HOLDER FOR A HANDSET**

FOREIGN PATENT DOCUMENTS

(75) Inventors: **Jan Kettula**, Espoo (FI); **Mikko Aarras**, Helsinki (FI)

WO DM/060267 \* 6/2002  
WO DM/066974 \* 9/2005

(73) Assignee: **Nokia Corporation**, Espoo (FI)

OTHER PUBLICATIONS

(\*\*) Term: **14 Years**

“Universal Car Phone Holder”, 2 p including photo, [online], <URL:http://mobiles.co.uk/cgi/search.cgi>, site visited Mar. 31, 2006.\*

(21) Appl. No.: **29/237,704**

“mr Hansfree Bluetooth Genius car kit”, 1 p including photo, [online], <http://www.hellodirect.com/catalog/product.jhtml?PRODID=10031&CATID=13072>, site visited Mar. 31, 2006.\*

(22) Filed: **Sep. 6, 2005**

“Nokia Original CR-39 Universal Car Holder”, 1 p including photo, [online], <http://www.mobiles.co.uk/cgi/search.cgi>site visited Mar. 31, 2006.\*

(30) **Foreign Application Priority Data**

Mar. 8, 2005 (FI) ..... M-20050038

“Universal Air Vent Holder”, 1 p including photo, [online], <http://www.mobiles.co.uk/cgi/search.cgi>, site visited Mar. 31, 2006.\*

(51) **LOC (8) Cl.** ..... **14-03**

(52) **U.S. Cl.** ..... **D14/253**

(58) **Field of Classification Search** ..... D14/146,  
D14/224, 251, 252, 253, 434, 447; D6/553;  
D8/350; D12/400, 415; D13/108, 177; D16/242;  
248/160, 205.8, 206.2, 274.1, 371, 917; 379/454,  
379/455; 455/575.1, 575.2, 575.6, 575.9,  
455/90.3

*Primary Examiner*—Ian Simmons  
*Assistant Examiner*—Carla Jobe Wright  
(74) *Attorney, Agent, or Firm*—Banner & Witcoff, Ltd.

See application file for complete search history.

(57) **CLAIM**

(56) **References Cited**

The ornamental design for a holder for a handset, as shown and described.

U.S. PATENT DOCUMENTS

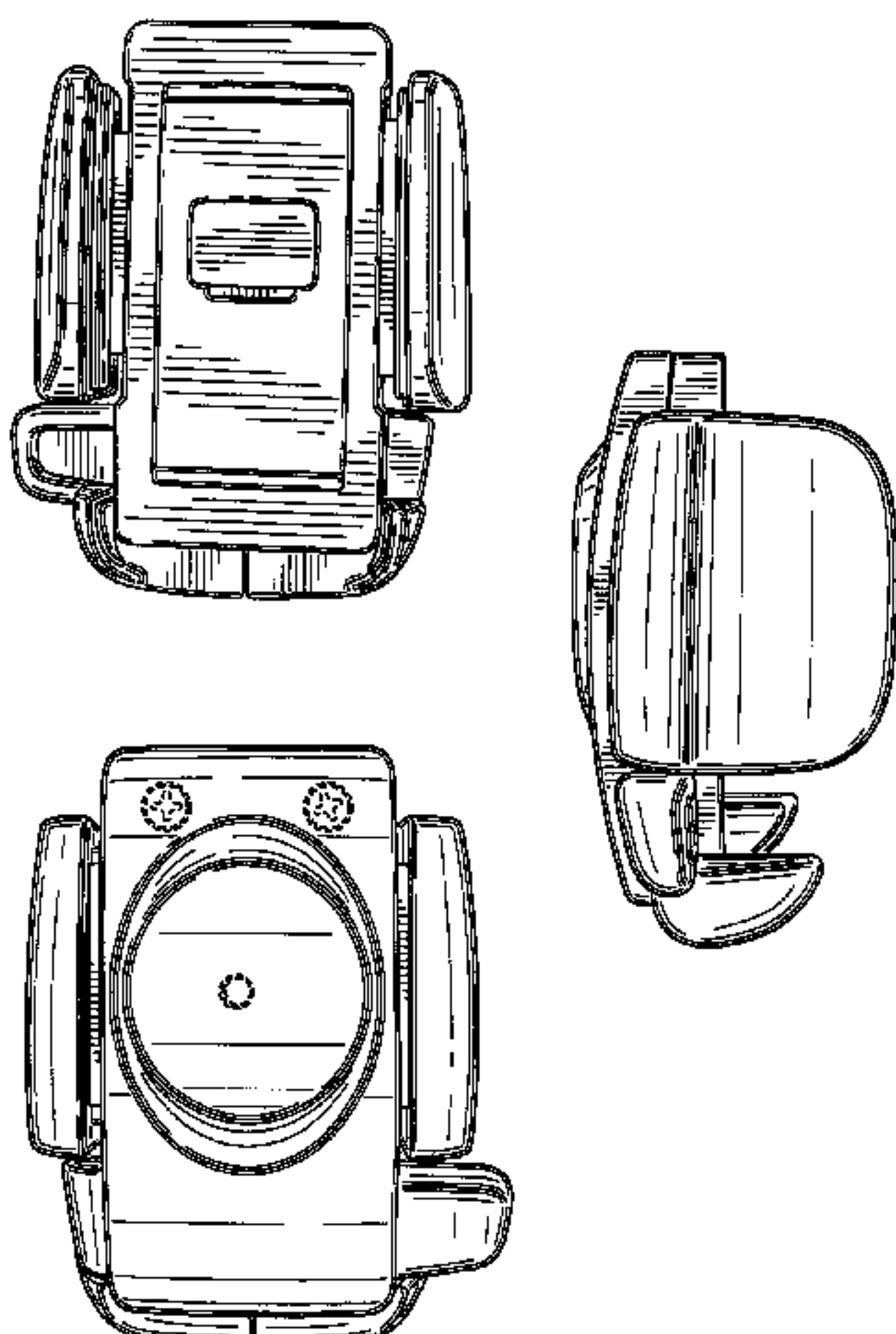
**DESCRIPTION**

D321,885 S \* 11/1991 Sheldrake ..... D14/253  
5,305,381 A \* 4/1994 Wang et al. .... 379/455  
5,414,770 A \* 5/1995 Wang ..... 379/446  
D361,335 S \* 8/1995 Rudkiewicz et al. .... D14/253  
5,457,745 A \* 10/1995 Wang ..... 379/454  
D379,463 S \* 5/1997 Richter ..... D14/253  
5,659,612 A \* 8/1997 Wang ..... 379/446  
D387,199 S \* 12/1997 Nagele et al. .... D3/218  
5,694,468 A \* 12/1997 Hsu ..... 379/446  
D389,641 S \* 1/1998 McCutcheon et al. .... D3/218  
D390,849 S \* 2/1998 Richter et al. .... D14/253  
D392,097 S \* 3/1998 Pottala et al. .... D3/218  
5,788,202 A \* 8/1998 Richter ..... 248/316.4  
5,839,919 A \* 11/1998 Chen ..... 439/529  
D411,542 S \* 6/1999 Richter ..... D14/253  
6,035,036 A \* 3/2000 Eisenbraun et al. .... 379/446

FIG. 1 is a front view of a holder for a handset showing our new design;  
FIG. 2 is a rear view thereof;  
FIG. 3 is a perspective front view thereof;  
FIG. 4 is a perspective rear view thereof;  
FIG. 5 is a left side view thereof;  
FIG. 6 is a right side view thereof;  
FIG. 7 is a top plan view thereof; and,  
FIG. 8 is a bottom plan view thereof.  
The broken line disclosure in FIGS. 2, 4, 7, and 8 is for illustrative purposes only and forms no part of the claimed design.

(Continued)

**1 Claim, 4 Drawing Sheets**



# US D535,988 S

Page 2

---

## U.S. PATENT DOCUMENTS

6,073,901 A *	6/2000	Richter	.....	248/316.4	D471,547 S *	3/2003	Ruohonen	.....	D14/253
D431,250 S *	9/2000	Richter	.....	D14/447	6,738,477 B1 *	5/2004	Kam	.....	379/446
D456,024 S *	4/2002	Richter	.....	D14/434	2002/0159587 A1 *	10/2002	Chang	.....	379/454
6,366,672 B1 *	4/2002	Tsay	.....	379/446	2004/0254002 A1 *	12/2004	Tsay	.....	455/575.9
D462,677 S *	9/2002	Eroma	.....	D14/253	2006/0027724 A1 *	2/2006	Richter	.....	248/429

\* cited by examiner

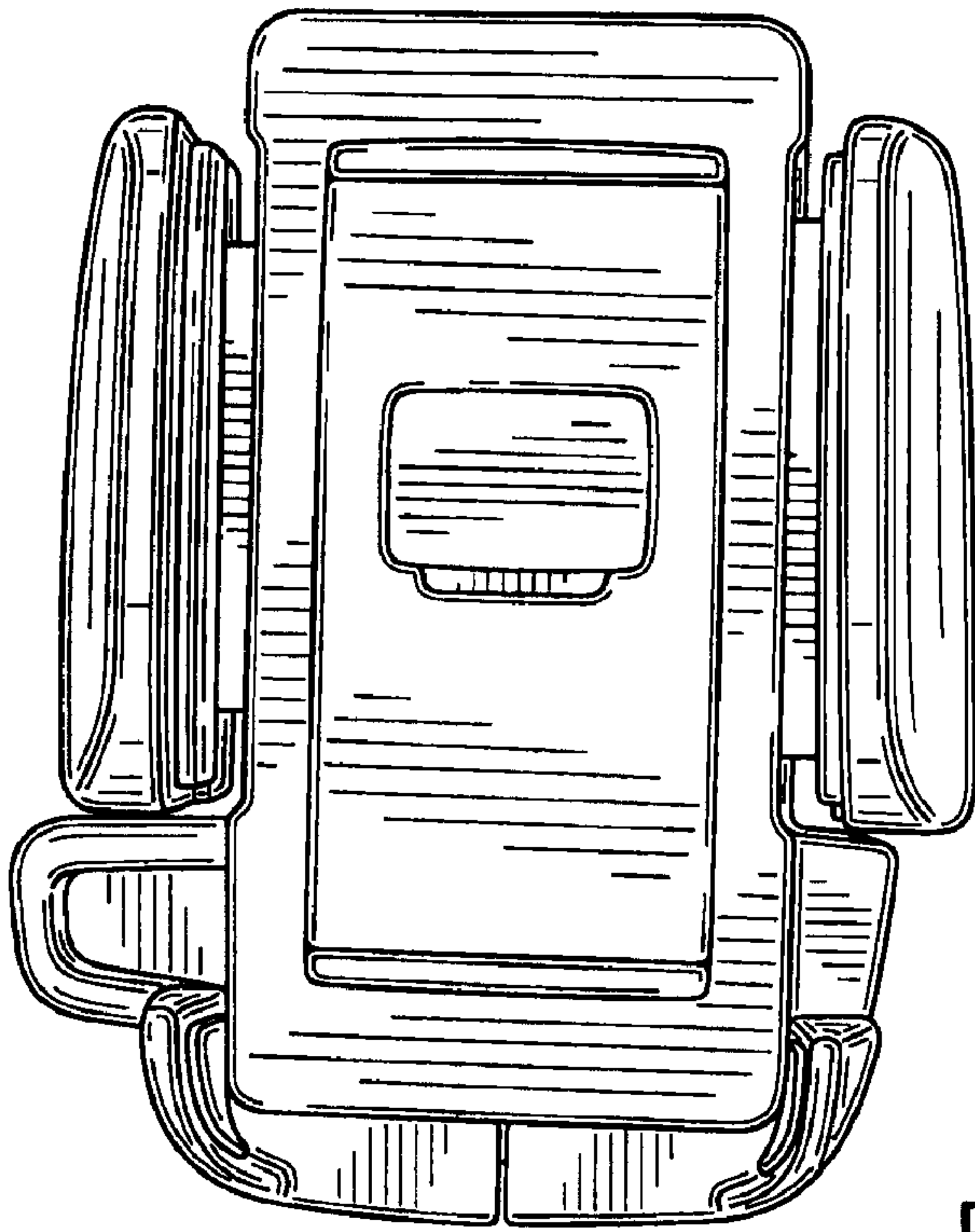


FIG. 1

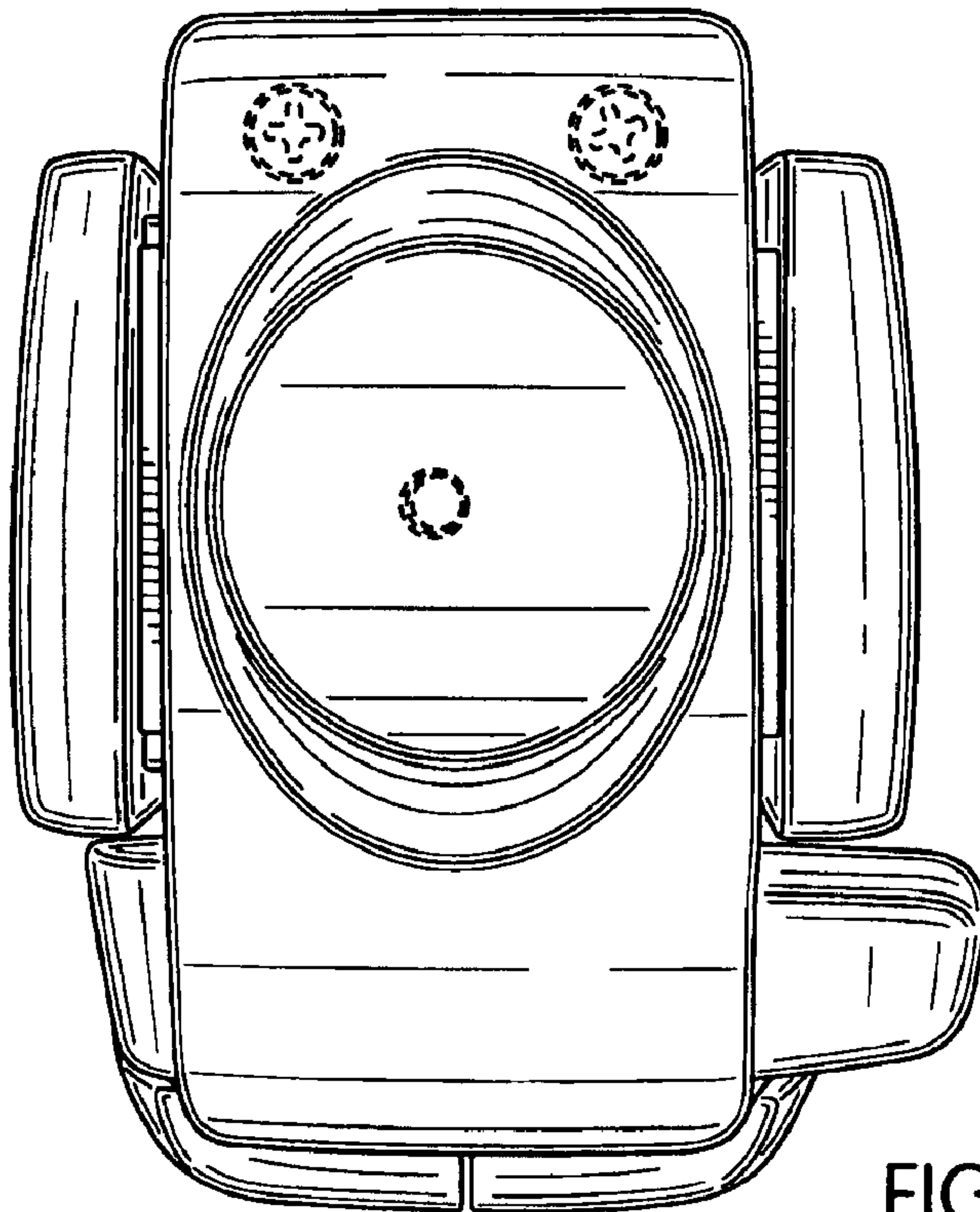


FIG. 2



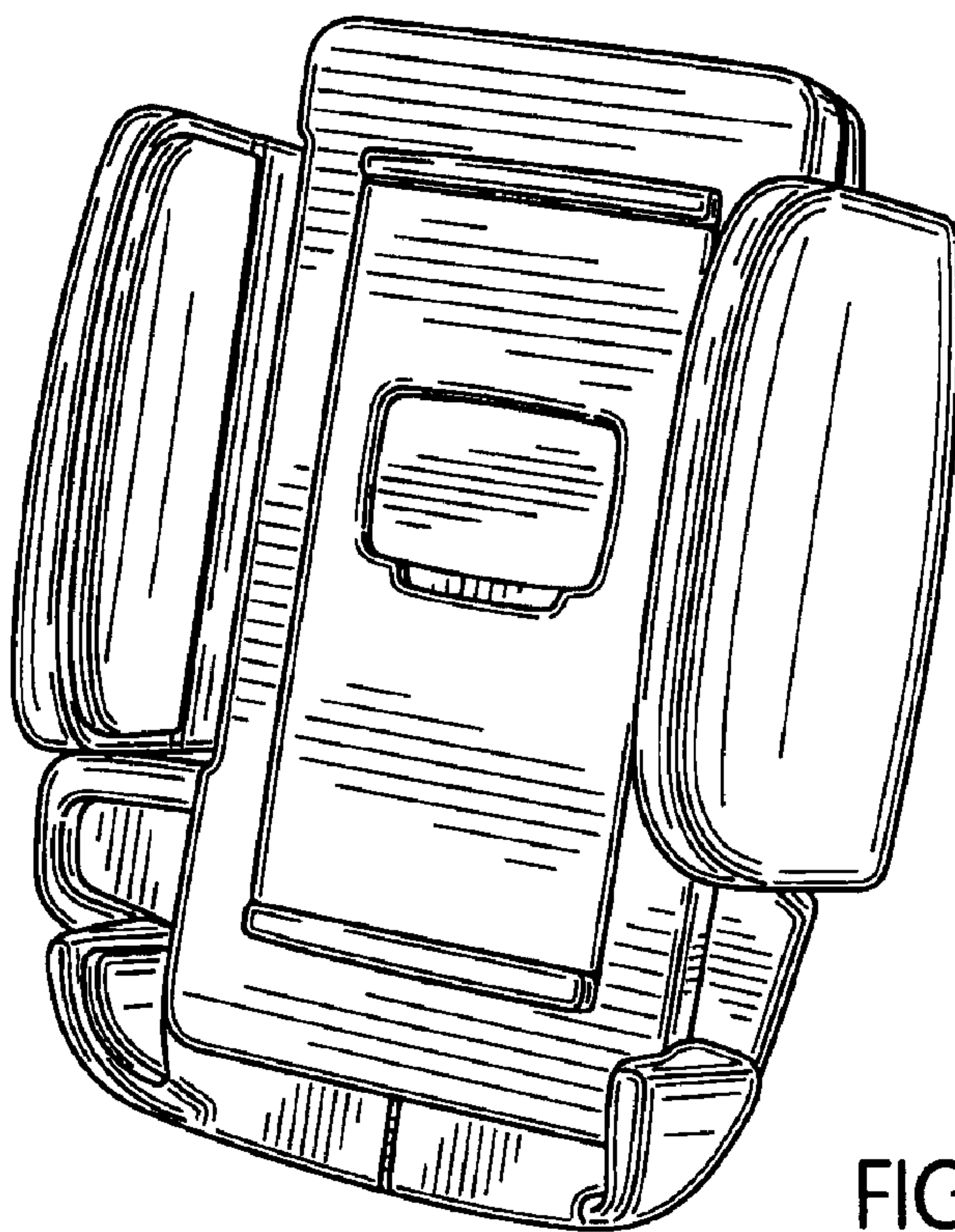


FIG. 3

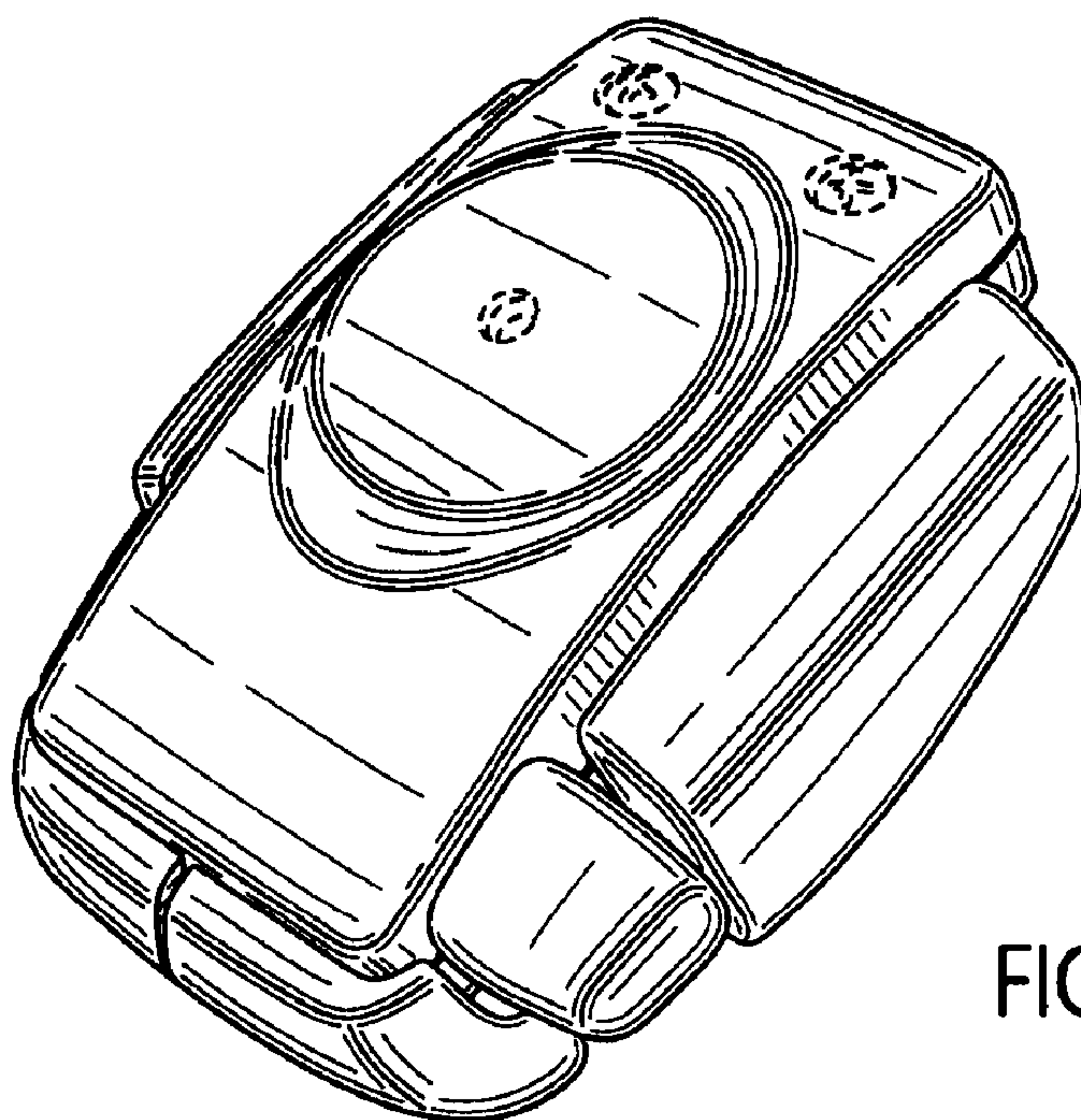


FIG. 4

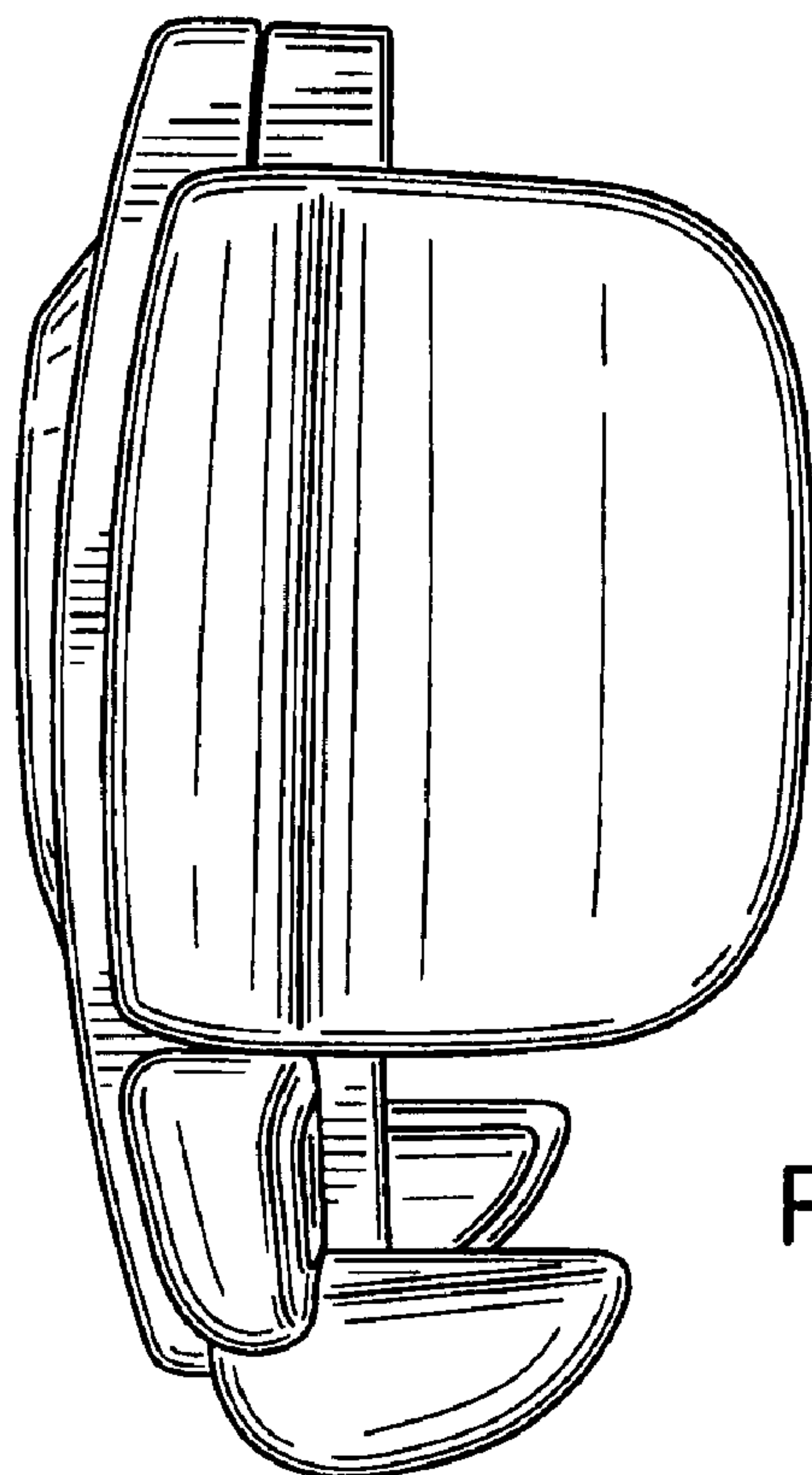


FIG. 5

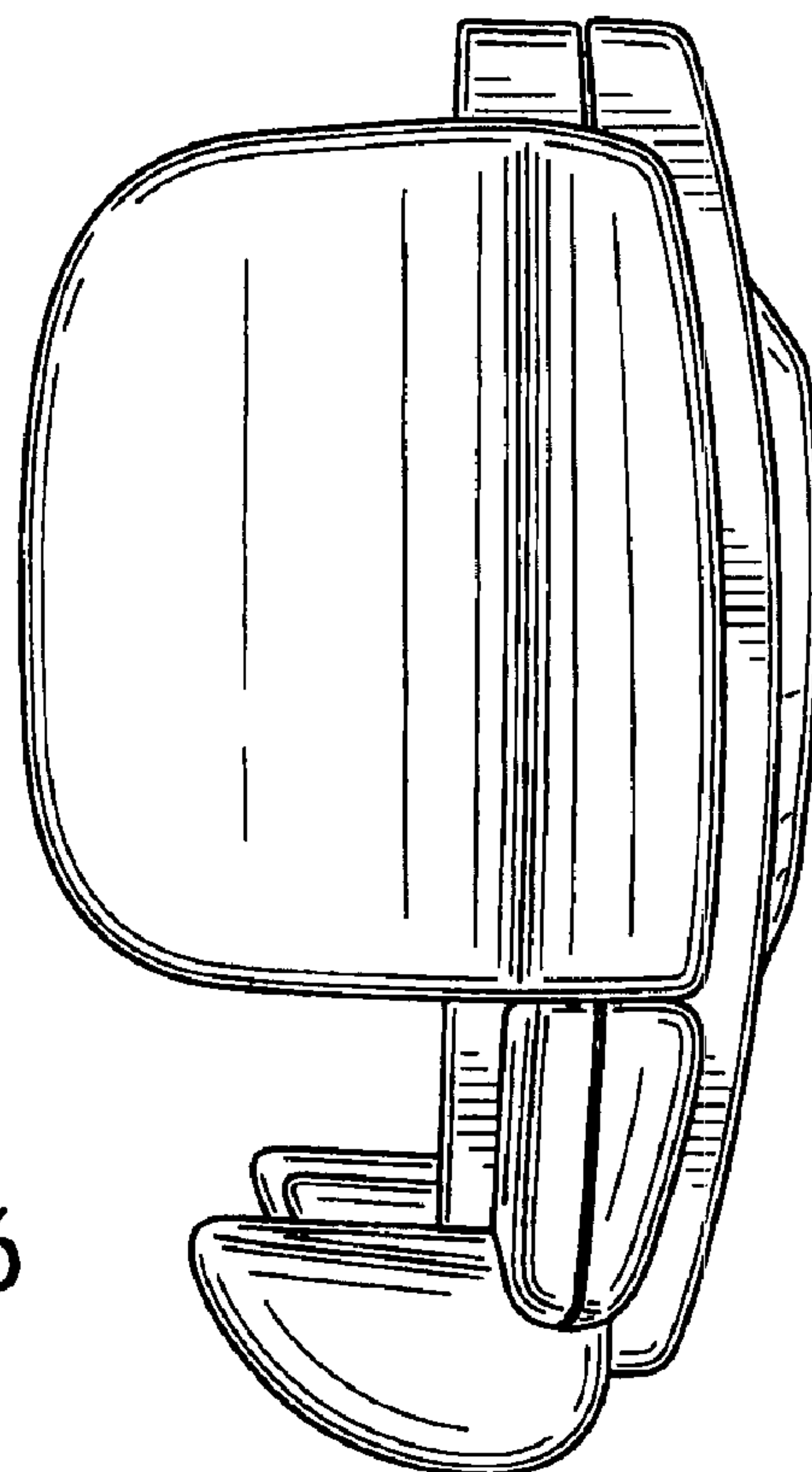


FIG. 6

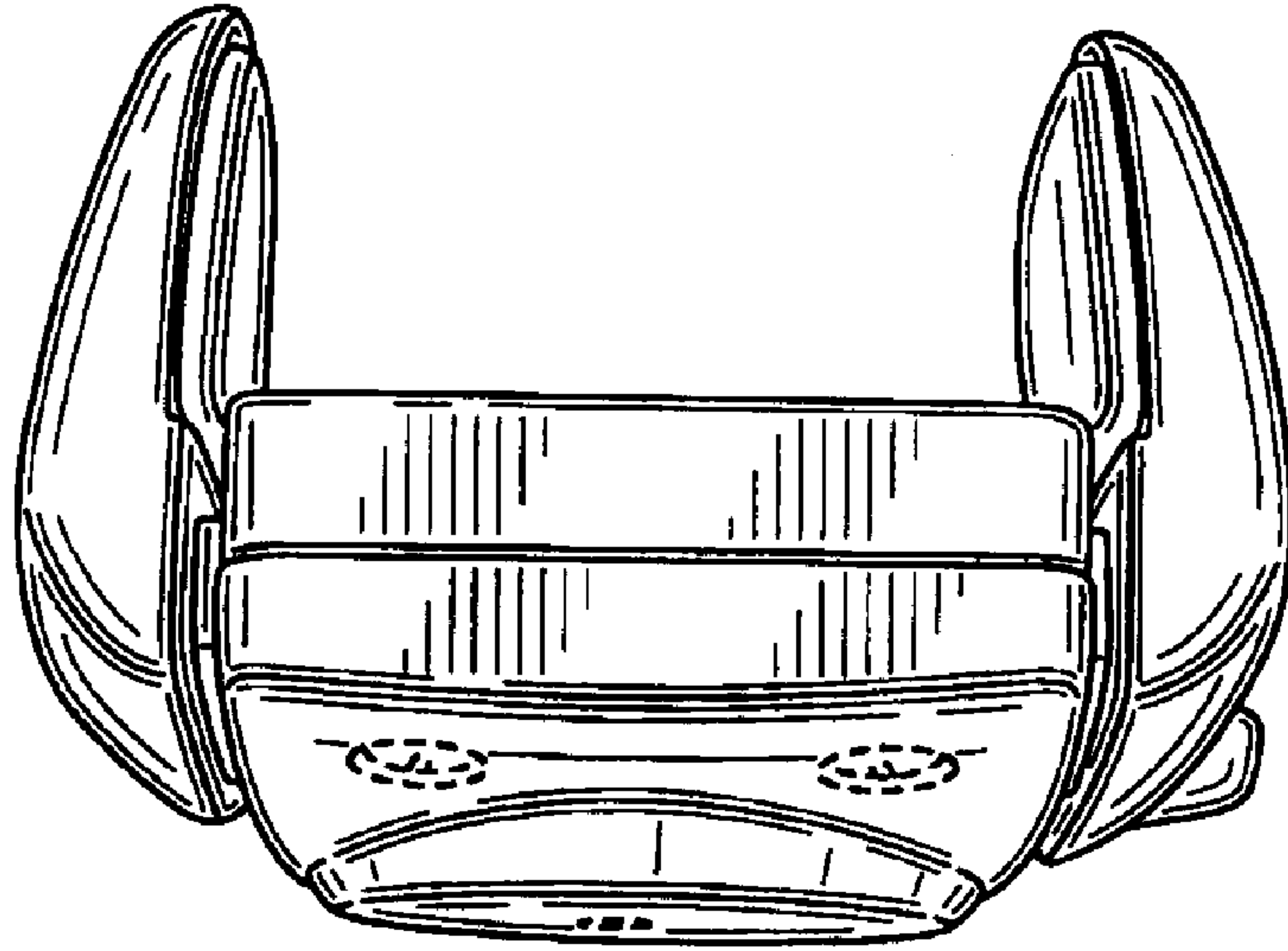


FIG. 7

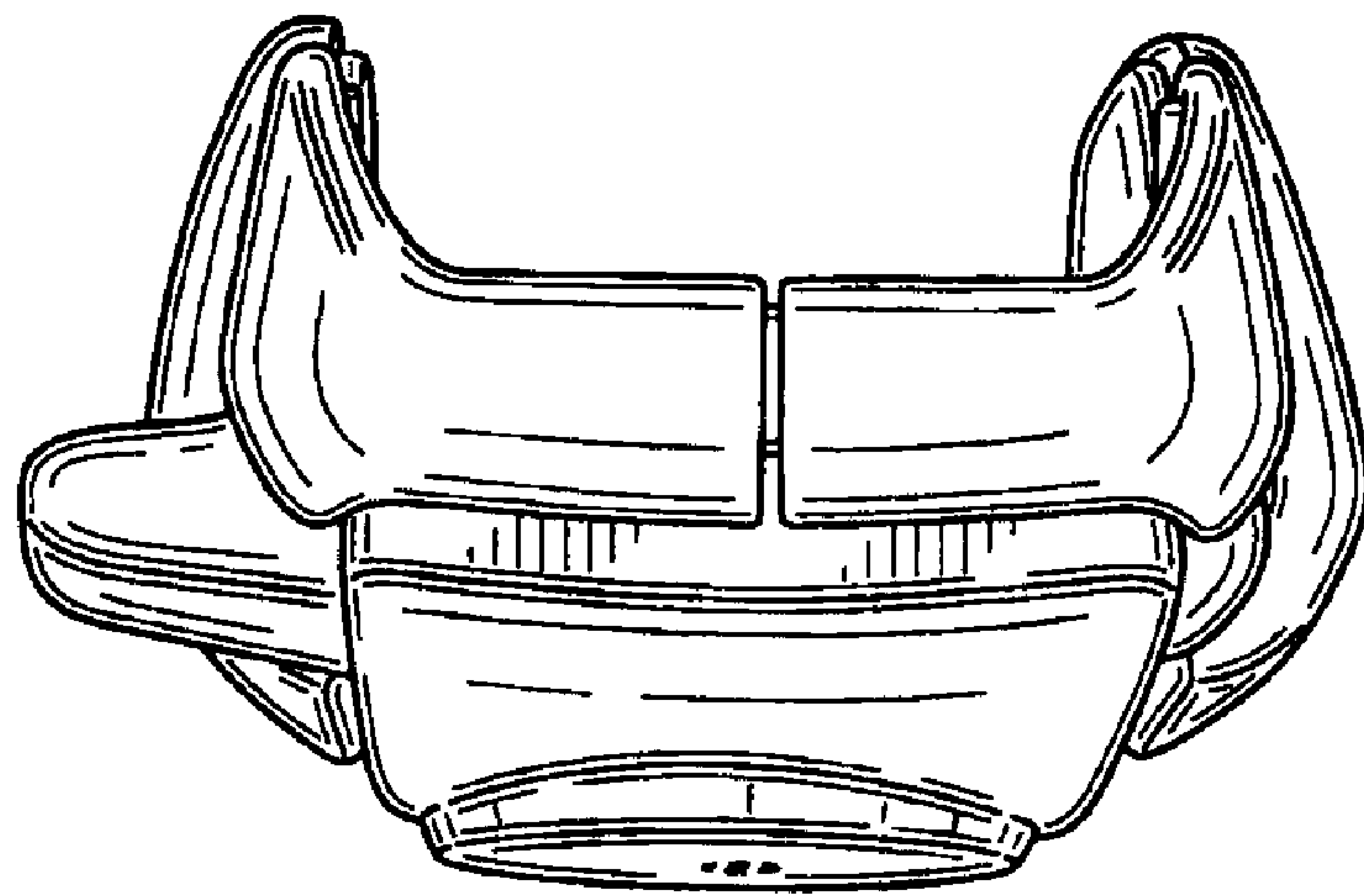


FIG. 8