



US00D535985S

(12) **United States Design Patent**
Sergi

(10) **Patent No.:** **US D535,985 S**

(45) **Date of Patent:** **** Jan. 30, 2007**

(54) **SUPPORT BRACKET FOR AN ANTENNA
BALUN BOX**

D520,344 S * 5/2006 Vejmarker D8/354
D523,920 S * 6/2006 Cresswell D21/804

(76) Inventor: **Paul D. Sergi**, 2570 Major Rd.,
Peninsula, OH (US) 44264

* cited by examiner

Primary Examiner—Louis S. Zarfes

Assistant Examiner—John Windmuller

(74) *Attorney, Agent, or Firm*—Renner, Kenner, Greive,
Bobak, Taylor & Weber

(**) Term: **14 Years**

(21) Appl. No.: **29/230,297**

(57) **CLAIM**

(22) Filed: **May 19, 2005**

The ornamental design for a support bracket for an antenna
balun box, as shown and described.

(51) **LOC (8) Cl.** **14-03**

(52) **U.S. Cl.** **D14/238**; D8/354

(58) **Field of Classification Search** D14/230–238,
D14/299, 358, 354; D6/495; D16/242; 343/700 R,
343/878–892; 455/561

DESCRIPTION

See application file for complete search history.

FIG. 1 is a front, bottom, left side perspective view of a
support bracket for an antenna balun box showing my new
design;

FIG. 2 is a rear elevational view thereof, the front elevational
view being identical to FIG. 2;

FIG. 3 is a right side elevational view thereof, the left side
being identical to FIG. 3;

FIG. 4 is a top plan view thereof; and,

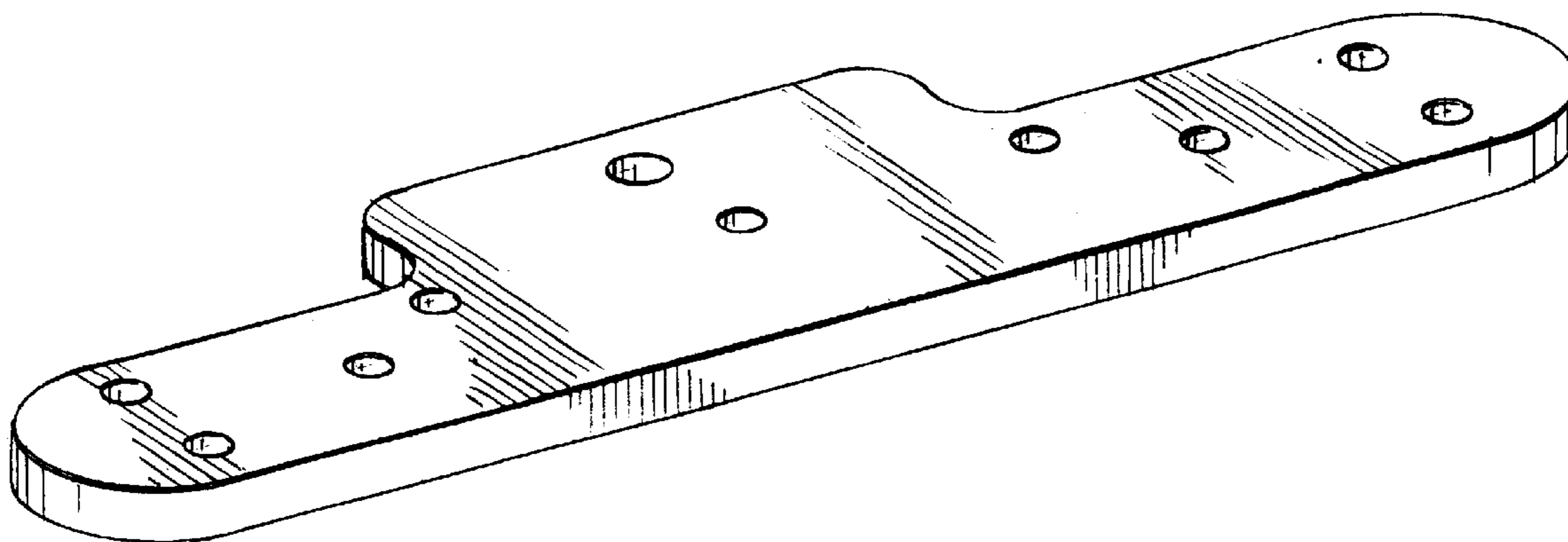
FIG. 5 is a bottom plan view thereof.

(56) **References Cited**

U.S. PATENT DOCUMENTS

1,600,816 A * 9/1926 Harbert 248/300
D227,235 S * 6/1973 Miller D8/354
D437,771 S * 2/2001 Barnes et al. D8/352
D495,223 S * 8/2004 Altman D8/19

1 Claim, 2 Drawing Sheets



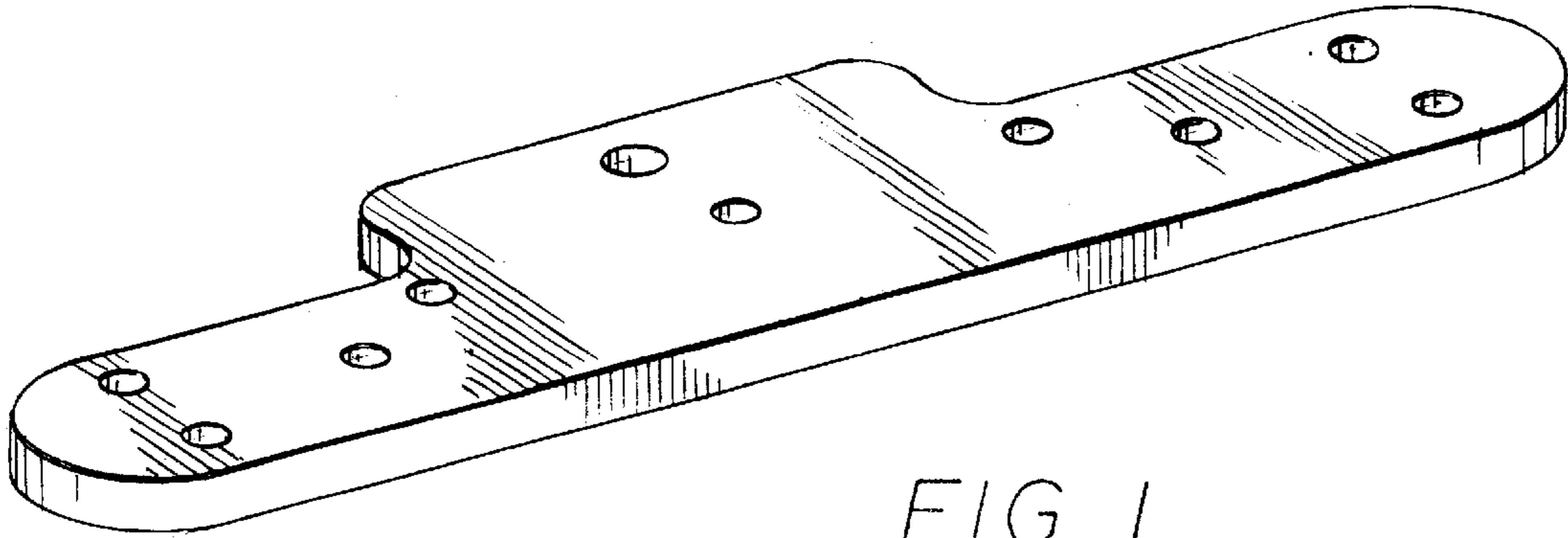


FIG. 1

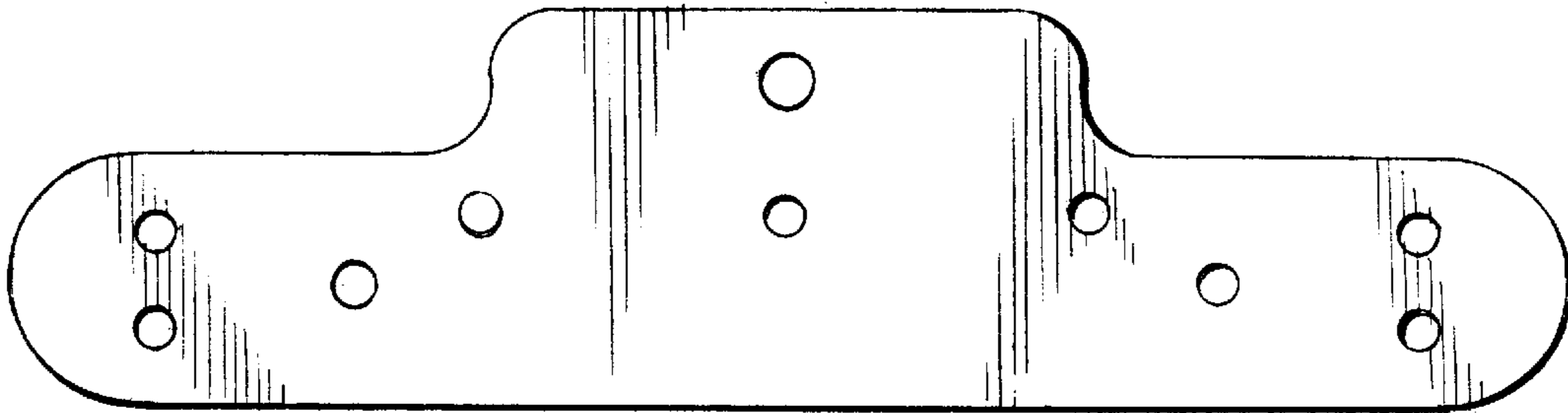


FIG. 2

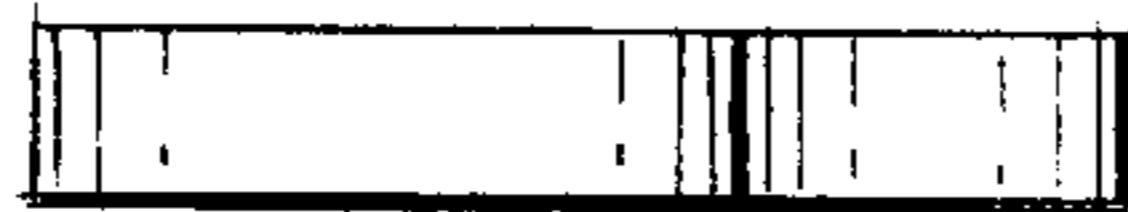


FIG. 3

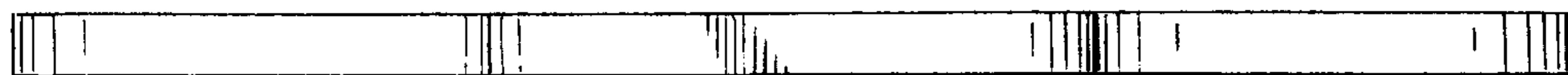


FIG. 4



FIG. 5