



US00D535983S

(12) **United States Design Patent**  
**Krieger et al.**

(10) **Patent No.:** **US D535,983 S**

(45) **Date of Patent:** **\*\* Jan. 30, 2007**

(54) **ANTENNA FOR IMOBILE FM AUDIO  
TRANSMITTER CHARGING DOCK**

(75) Inventors: **Michael Krieger**, Miami Beach, FL  
(US); **Kevin Ellsworth**, Hollywood, FL  
(US)

(73) Assignee: **Vector Products, Inc.**, Fort Lauderdale,  
FL (US)

(\*\*) Term: **14 Years**

(21) Appl. No.: **29/241,570**

(22) Filed: **Oct. 31, 2005**

(51) **LOC (8) Cl.** ..... **14-03**

(52) **U.S. Cl.** ..... **D14/230**

(58) **Field of Classification Search** ..... D14/137,  
D14/138, 230-238, 299, 358, 343; D12/42,  
D12/43; 343/700 R-705, 871-908, 795,  
343/840, 711-713, 819, 846; 455/90.2, 90.3,  
455/91, 128, 269, 344, 347, 562.1

See application file for complete search history.

(56) **References Cited**

**U.S. PATENT DOCUMENTS**

D229,832 S \* 1/1974 Finkel ..... D14/230  
D364,874 S \* 12/1995 Cheng ..... D14/230

D418,840 S \* 1/2000 Cota et al. .... D14/230  
D421,441 S \* 3/2000 Aanenson ..... D14/232  
D440,963 S \* 4/2001 Mueth ..... D14/232  
D442,167 S \* 5/2001 Emery ..... D14/230  
D468,302 S \* 1/2003 Sato ..... D14/235

\* cited by examiner

*Primary Examiner*—Louis S. Zarfes

*Assistant Examiner*—John Windmuller

(74) *Attorney, Agent, or Firm*—Venable LLP; Robert  
Kinberg; Manni Li

(57) **CLAIM**

The ornamental design for an antenna for imobile FM audio  
transmitter charging dock, as shown and described.

**DESCRIPTION**

FIG. 1 is a front top left perspective view of an antenna for  
imobile FM audio transmitter charging dock showing our  
new design;

FIG. 2 is a front elevational view thereof;

FIG. 3 is a rear elevational view thereof;

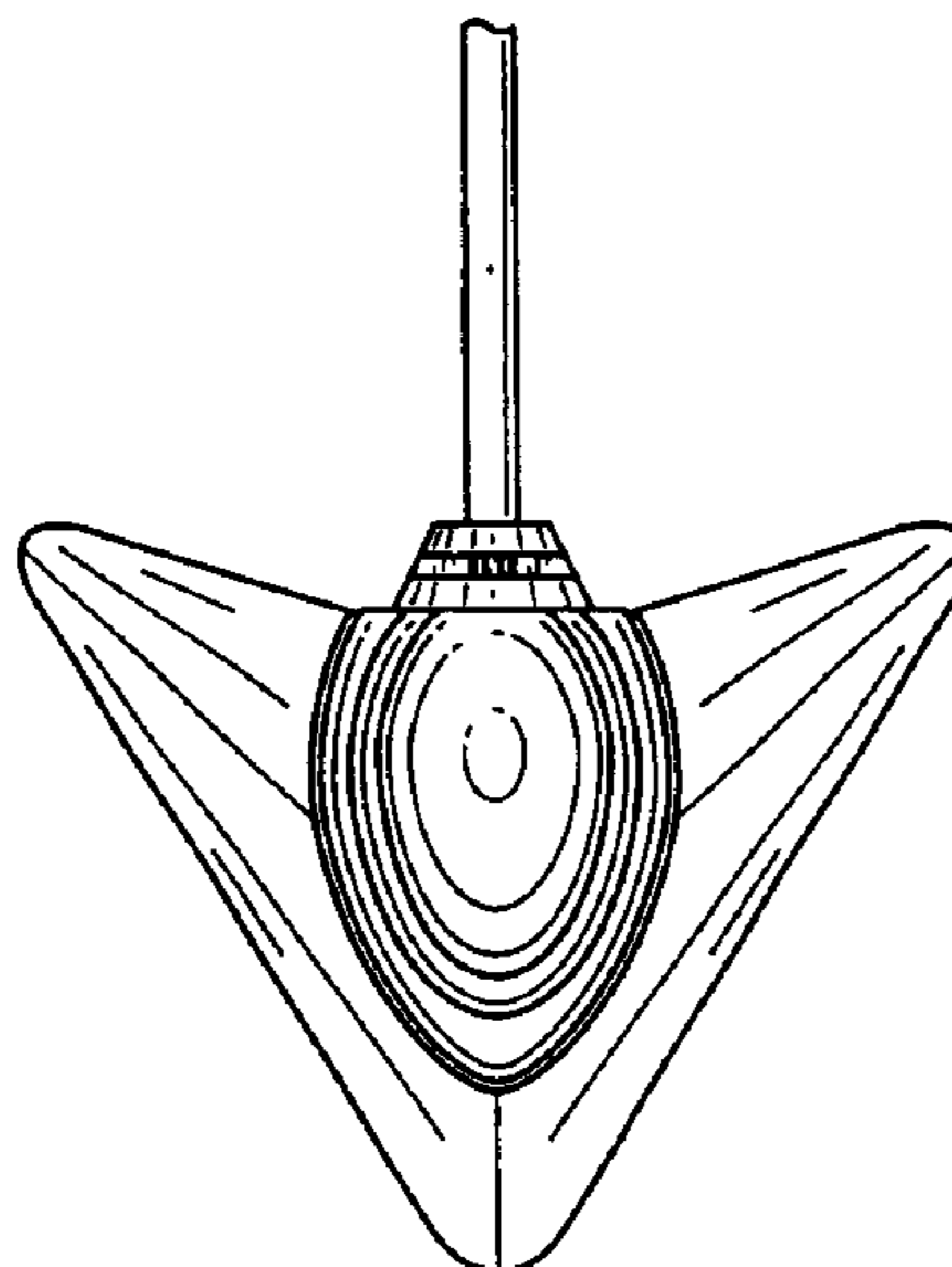
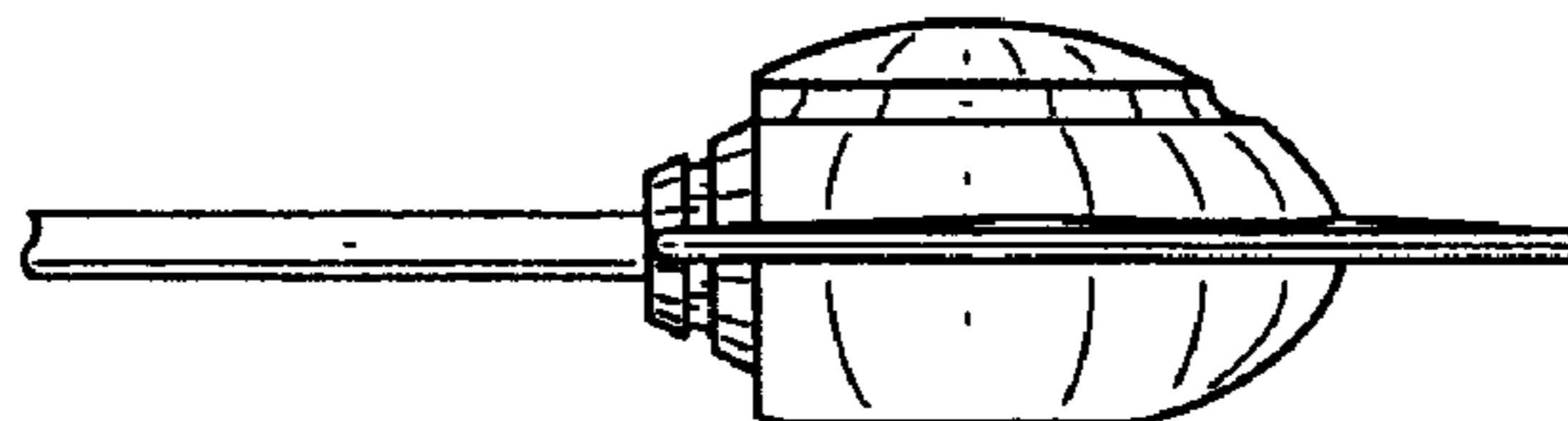
FIG. 4 is a left side elevational view thereof;

FIG. 5 is a right side elevational view thereof;

FIG. 6 is a top plan view thereof; and,

FIG. 7 is a bottom plan view thereof.

**1 Claim, 4 Drawing Sheets**



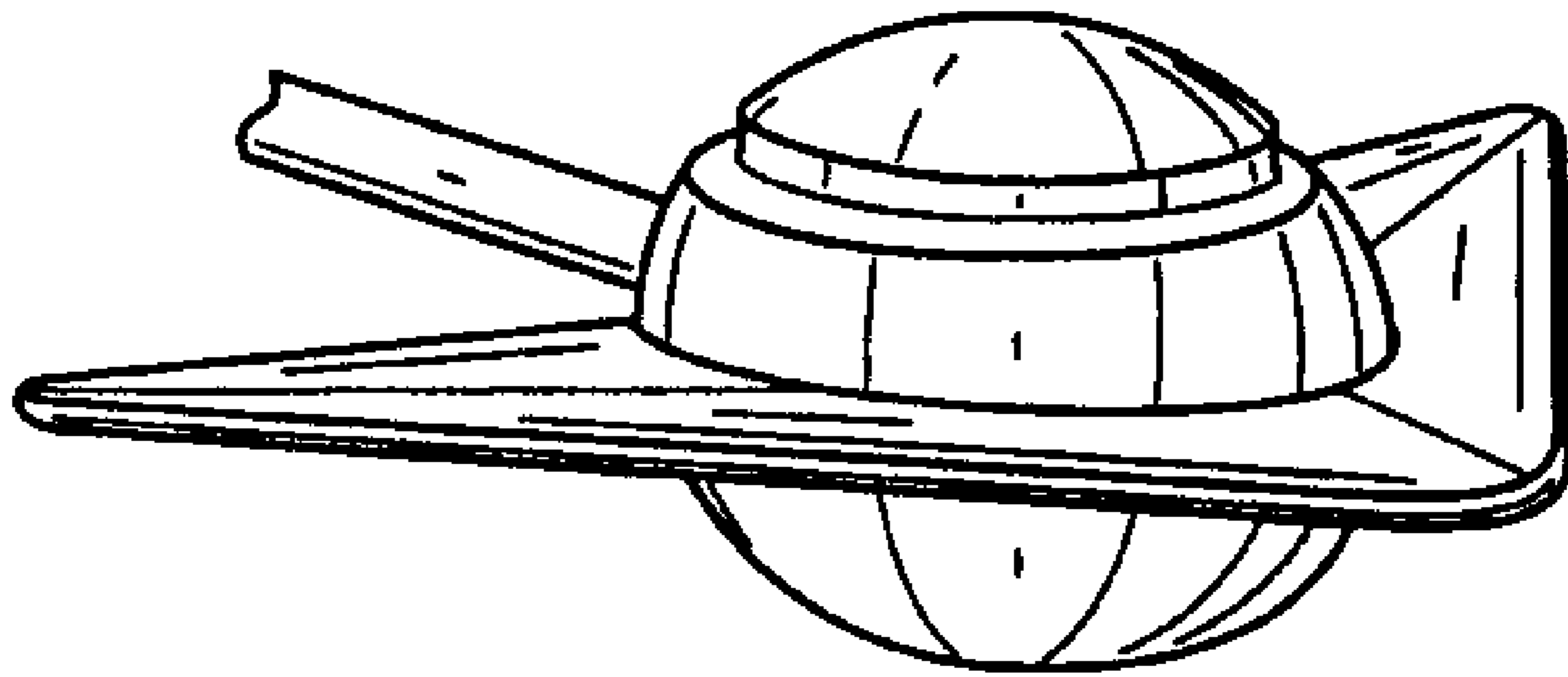


FIG. 1

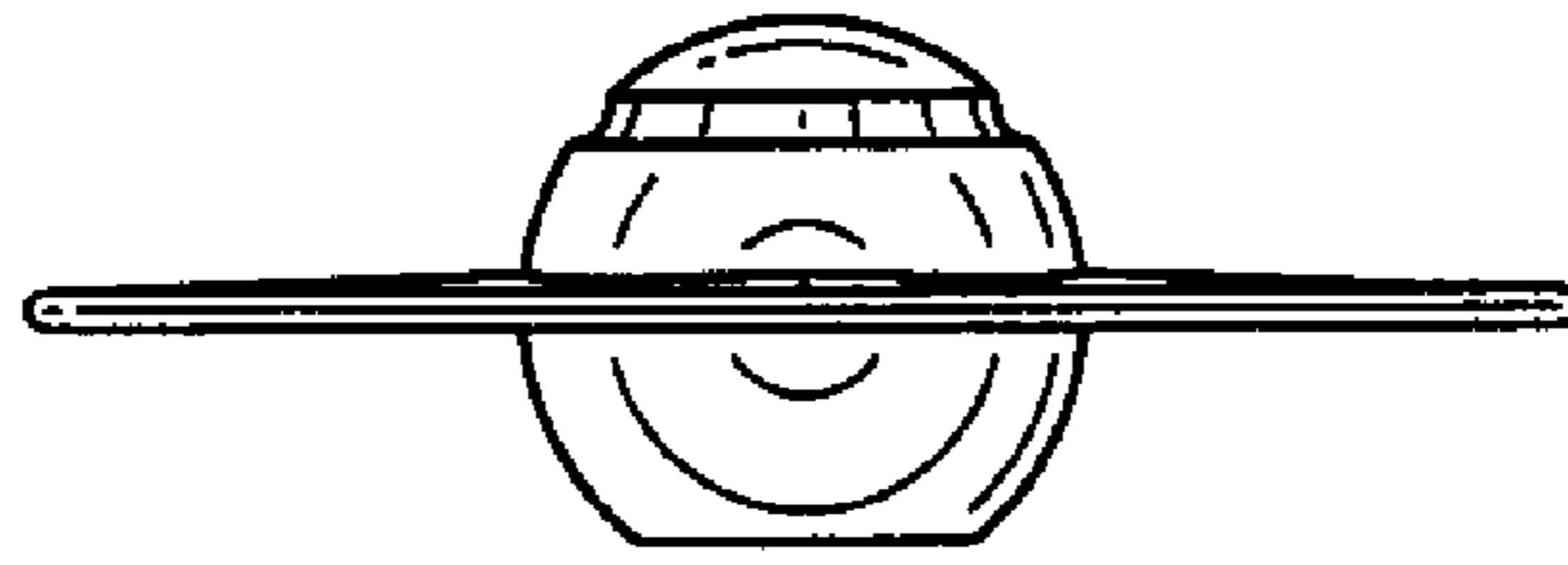


FIG. 2

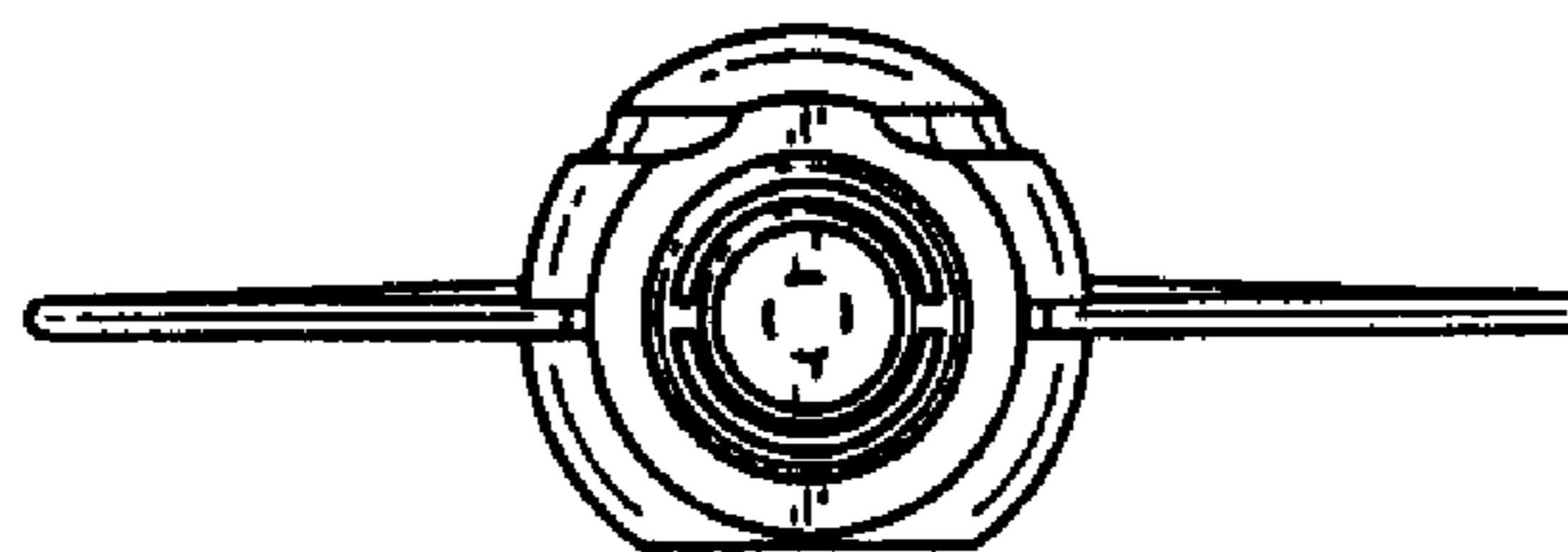


FIG. 3

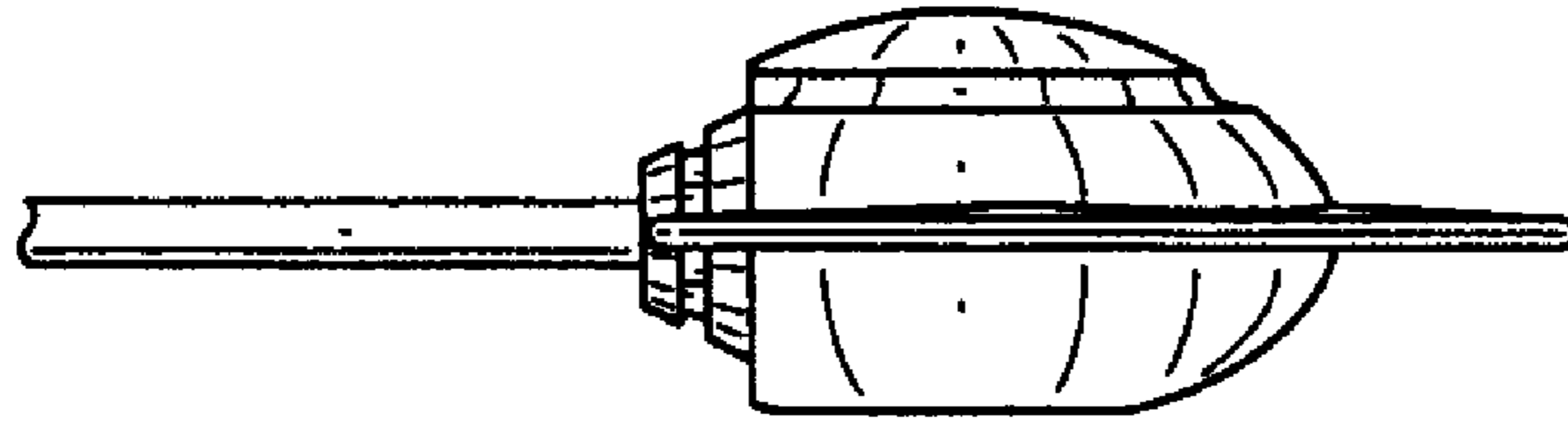


FIG. 4

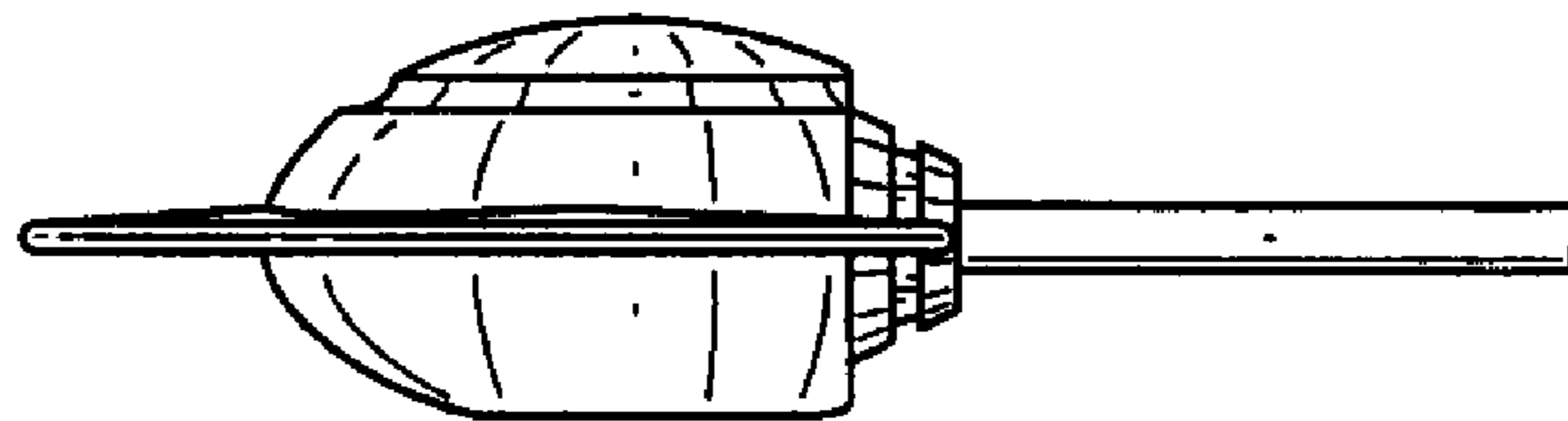


FIG. 5

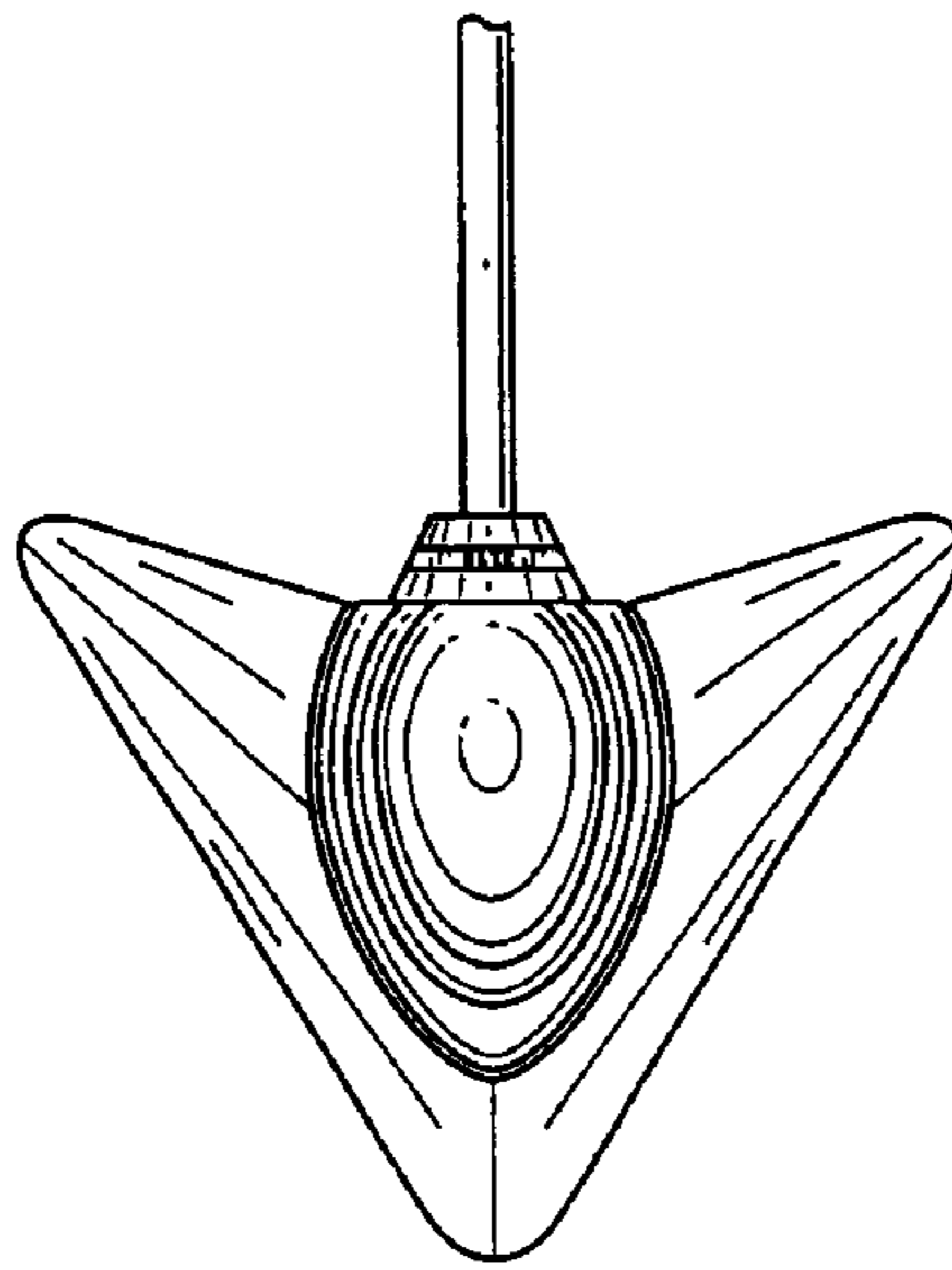


FIG. 6

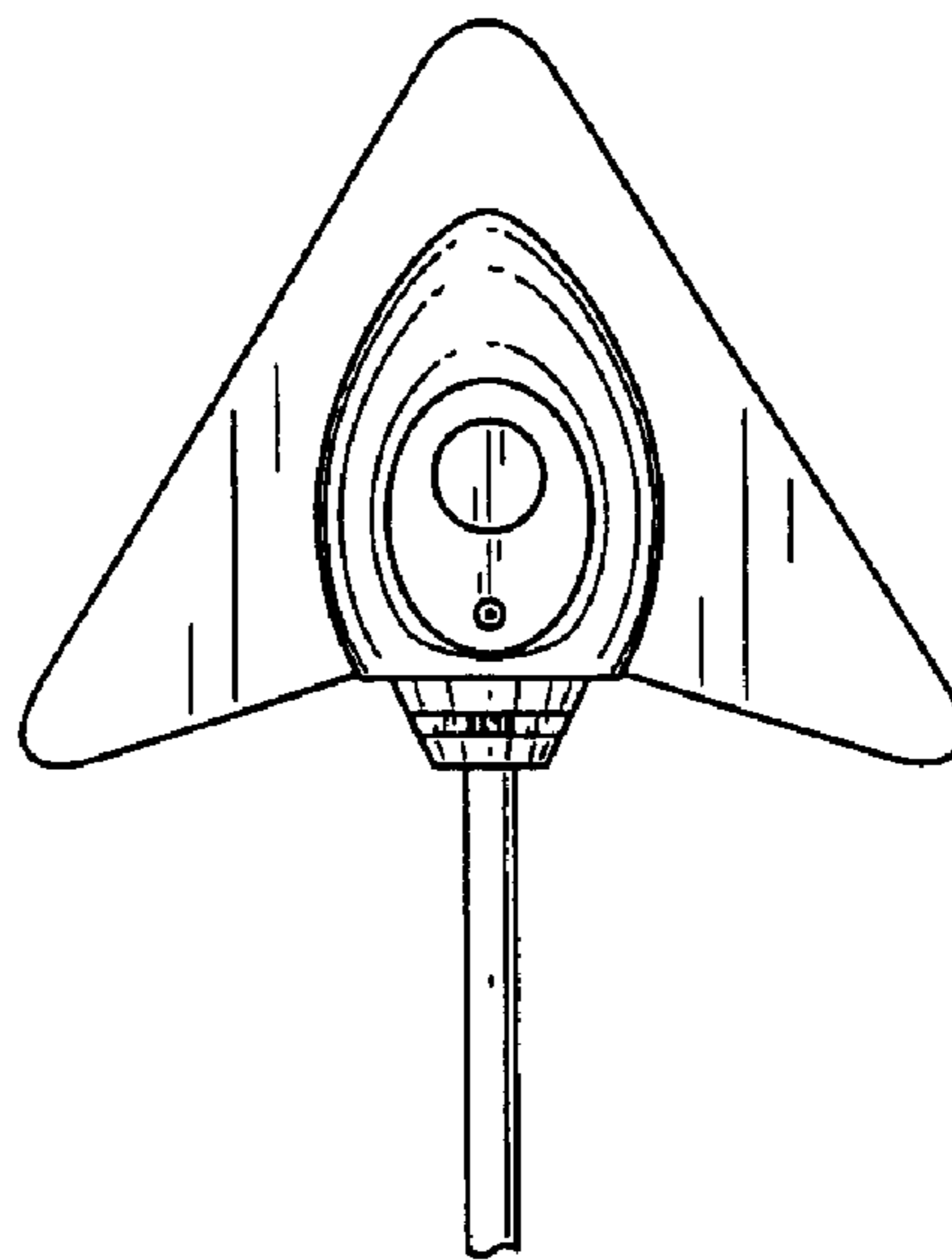


FIG. 7