

US00D535982S

(12) **United States Design Patent**
Inoue

(10) **Patent No.:** **US D535,982 S**
(45) **Date of Patent:** **** Jan. 30, 2007**

(54) **ANTENNA**

(75) **Inventor:** **Shigemi Inoue**, Kobe (JP)

(73) **Assignee:** **DX Antenna Company, Limited**,
Hyogo pref. (JP)

(**) **Term:** **14 Years**

(21) **Appl. No.:** **29/239,318**

(22) **Filed:** **Sep. 29, 2005**

(30) **Foreign Application Priority Data**

May 23, 2005 (JP) 2005-014698

(51) **LOC (8) Cl.** **14-03**

(52) **U.S. Cl.** **D14/230**

(58) **Field of Classification Search** D14/137,
D14/138, 230-238, 299, 358; D12/42, 43;
343/700 R-705, 871-908, 795, 840, 711-713,
343/819, 846; 455/90.2, 90.3, 91, 128, 269,
455/344, 347, 562.1

See application file for complete search history.

(56) **References Cited**

U.S. PATENT DOCUMENTS

D211,028 S * 5/1968 Zucconi D14/230
D406,590 S * 3/1999 Heiligenstein et al. D14/230

D425,068 S * 5/2000 Melin D14/230
D425,071 S * 5/2000 Boswell D14/240
D455,408 S * 4/2002 Vackar D13/184
D473,335 S * 4/2003 Brohard et al. D26/113

FOREIGN PATENT DOCUMENTS

JP 1235674 2/2005

* cited by examiner

Primary Examiner—Robert A. Delehanty

Assistant Examiner—John Windmuller

(74) *Attorney, Agent, or Firm*—Wenderoth, Lind & Ponack,
L.L.P.

(57) **CLAIM**

The ornamental design for an antenna, as shown and described.

DESCRIPTION

FIG. 1 is a front elevational view of the antenna;
FIG. 2 is a rear elevational view of the antenna;
FIG. 3 is a top plan view of the antenna;
FIG. 4 is a bottom plan view of the antenna;
FIG. 5 is a right-side elevational view of the antenna;
FIG. 6 is a left-side elevational view of the antenna;
FIG. 7 is a perspective view of the antenna; and,
FIG. 8 is another perspective view of the antenna.

1 Claim, 3 Drawing Sheets

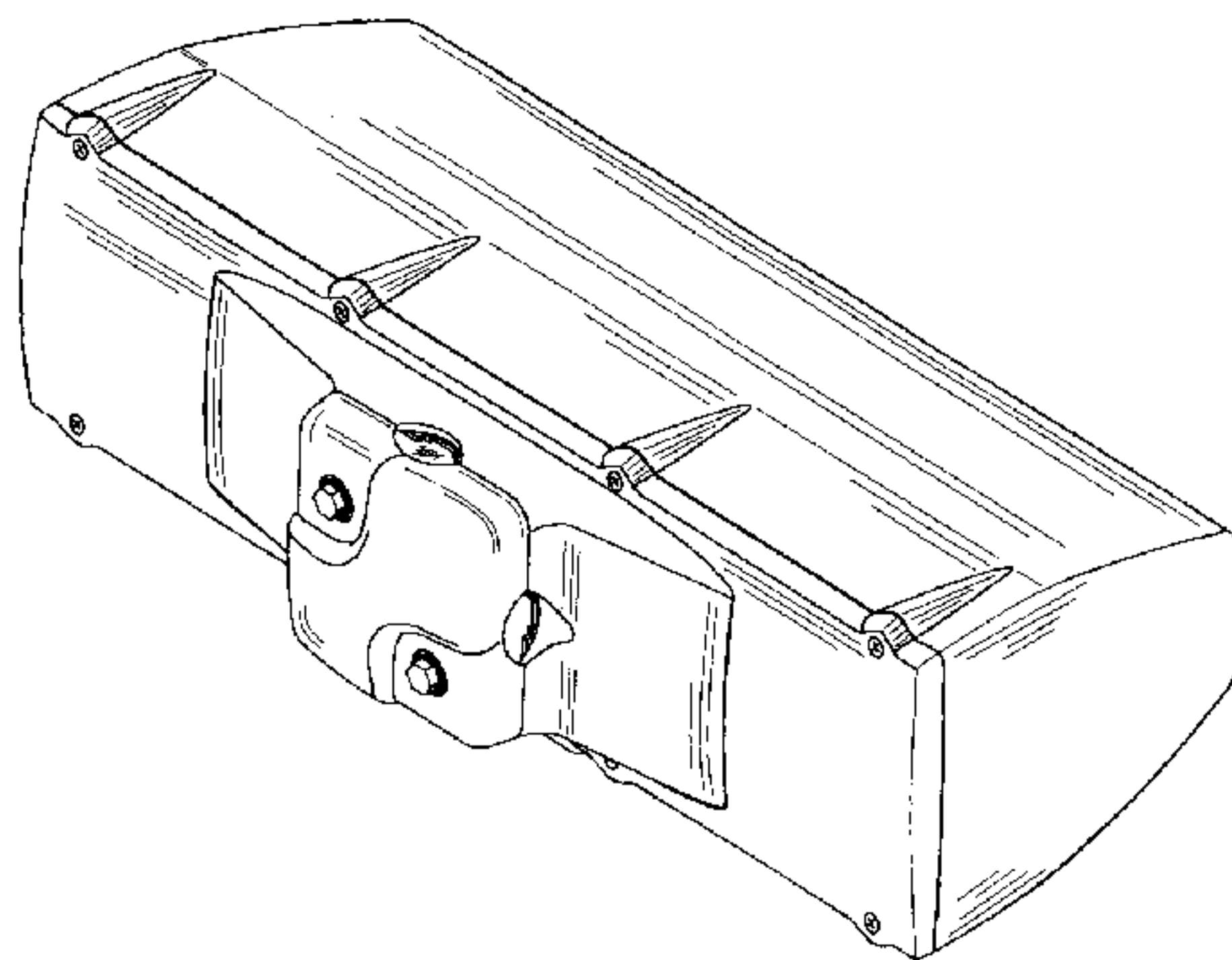
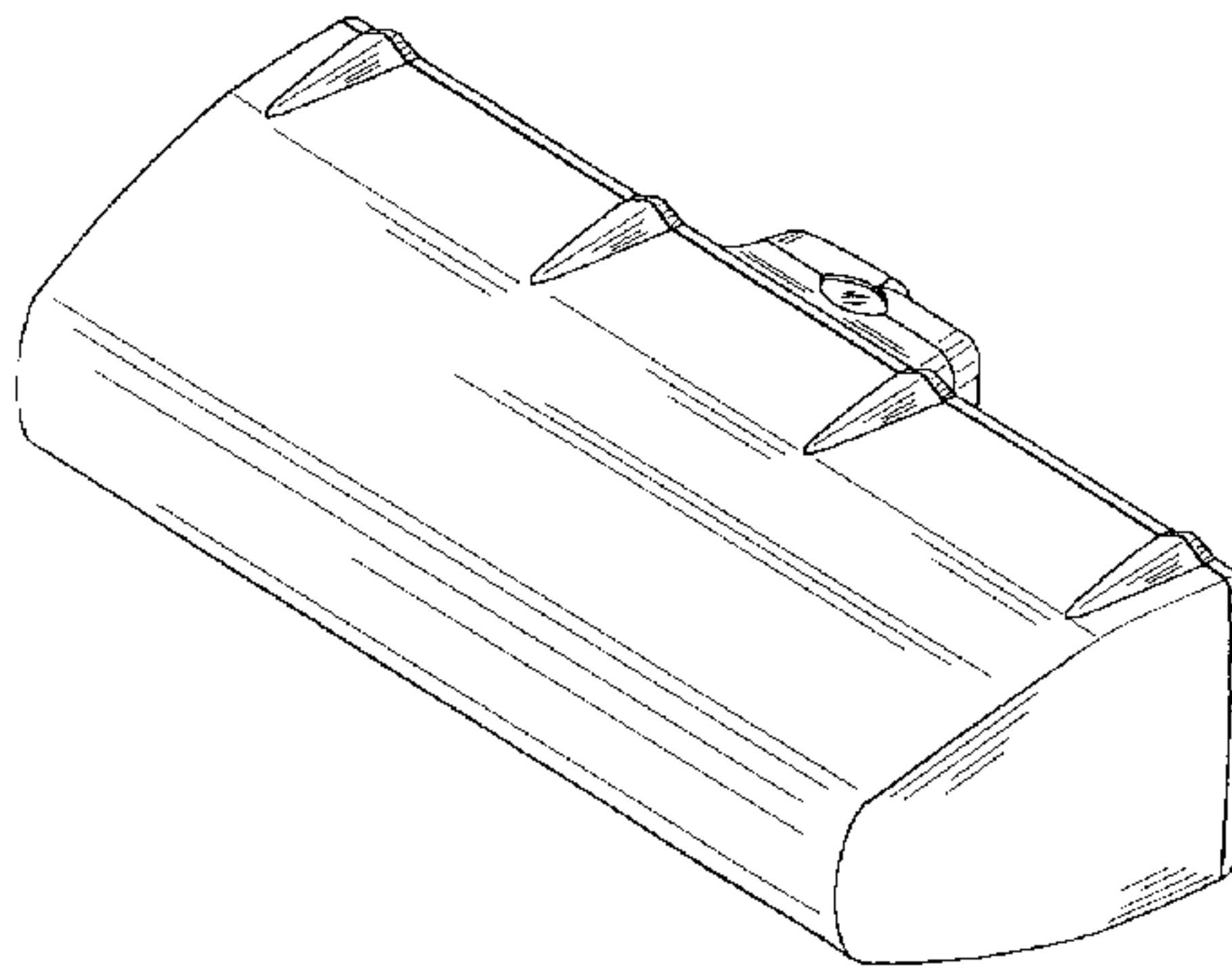


Fig. 1

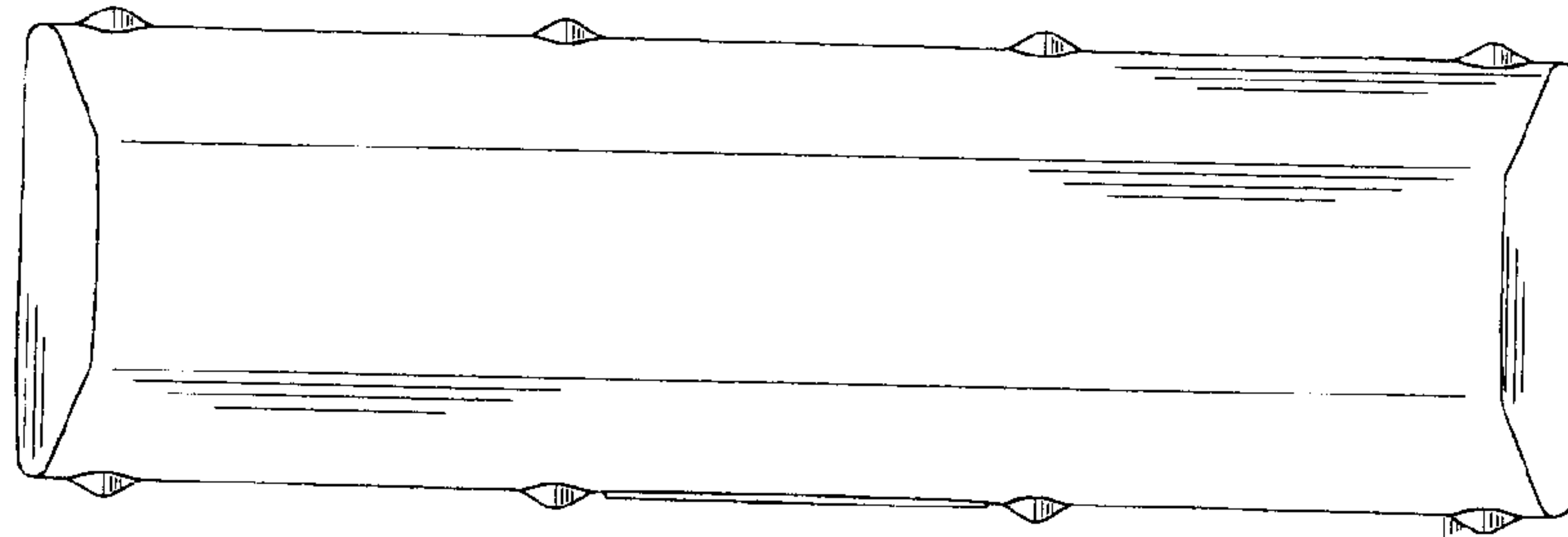


Fig. 2

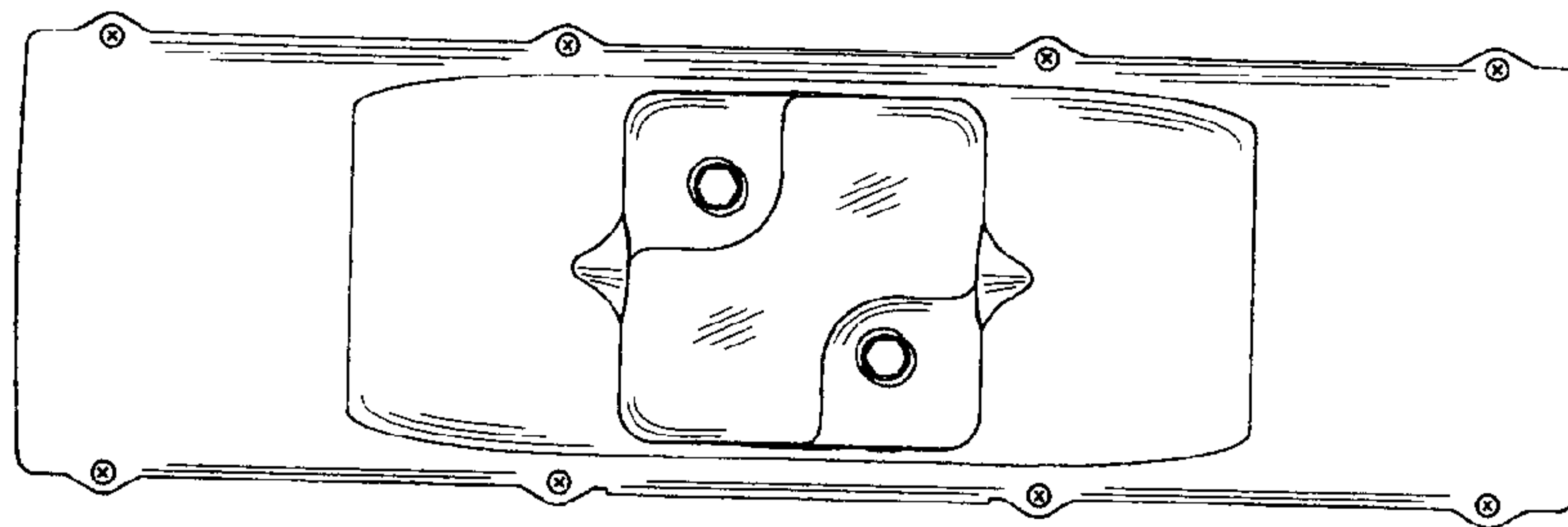


Fig. 3

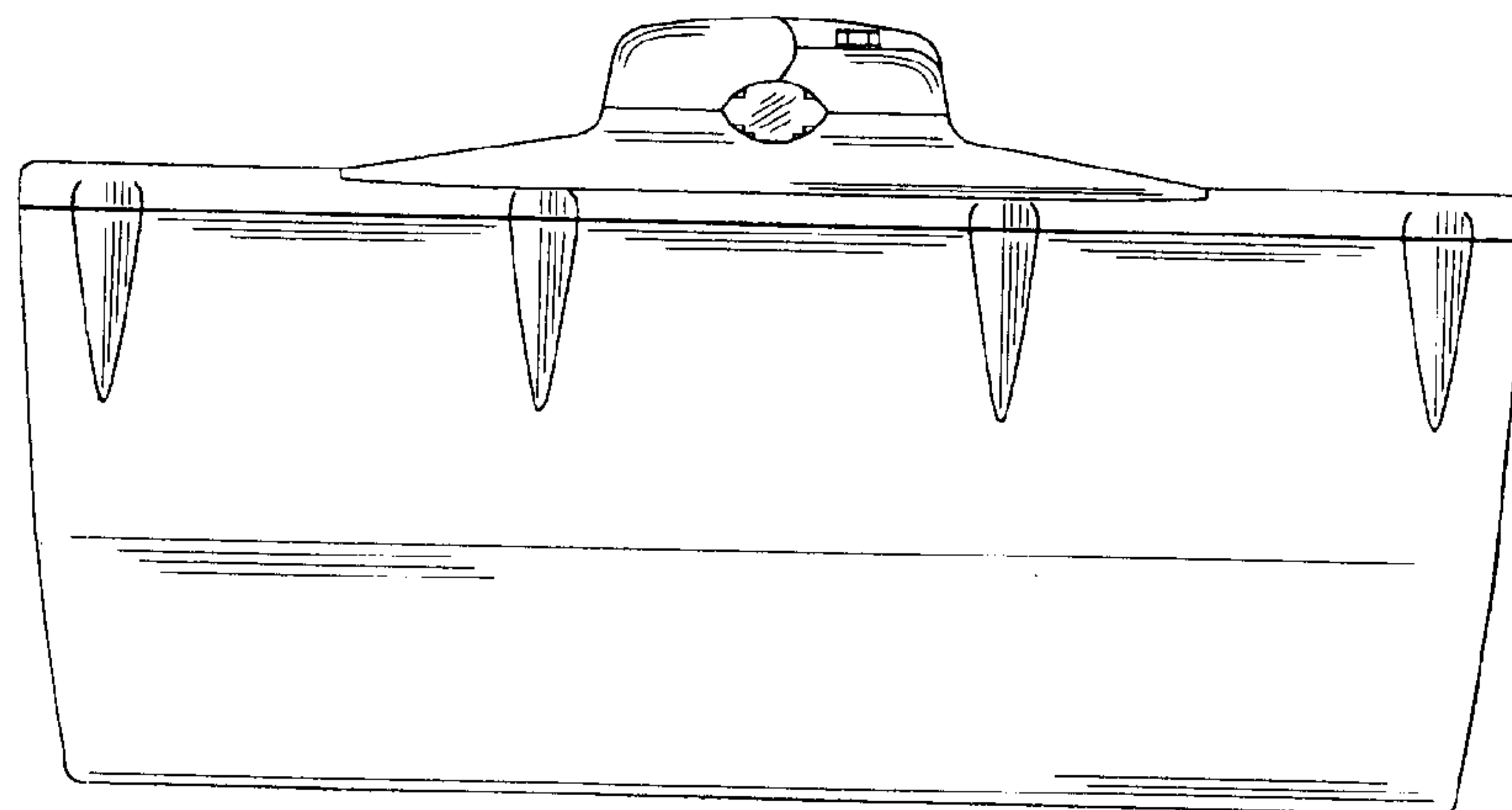


Fig. 4

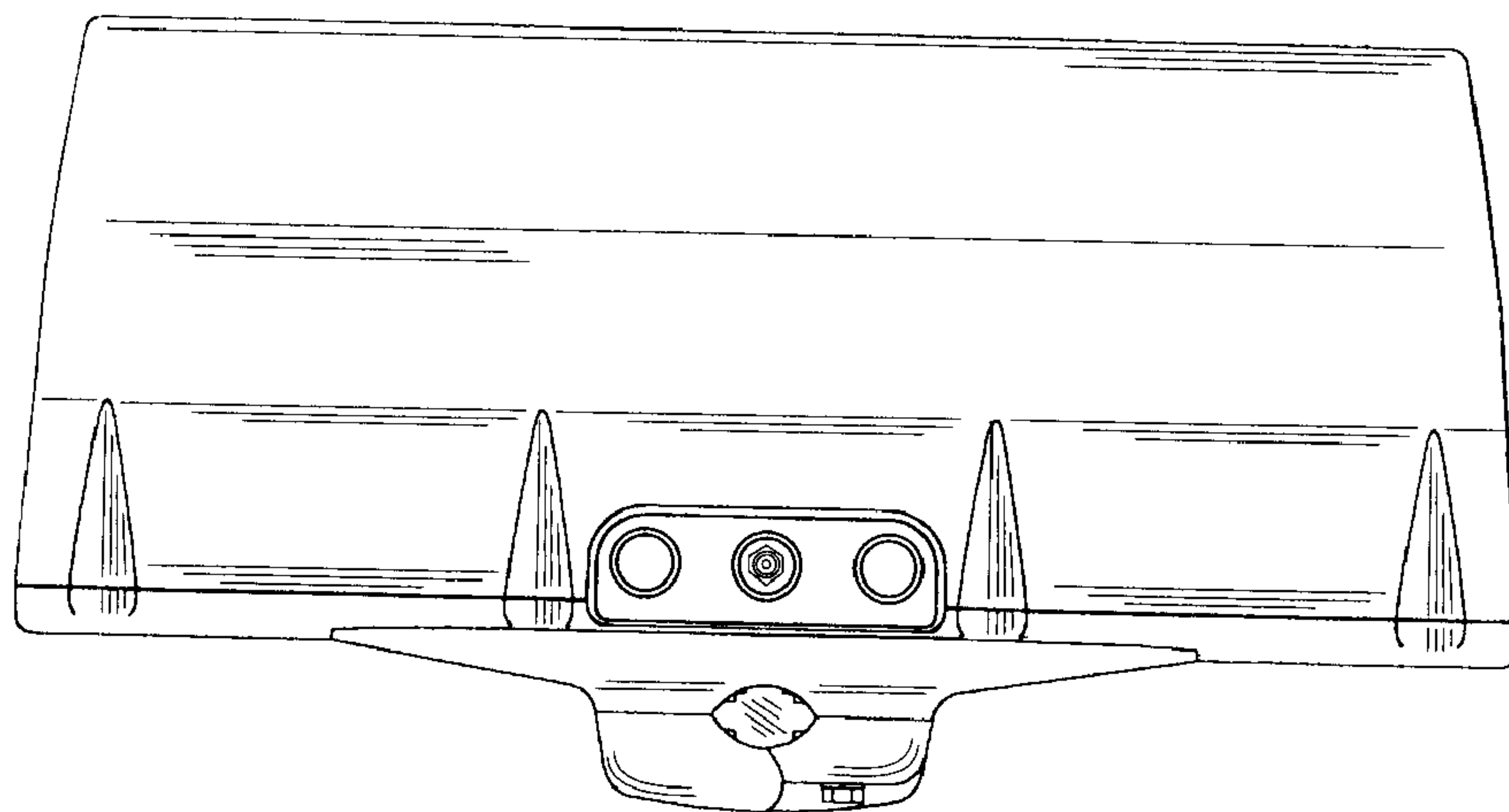


Fig. 5

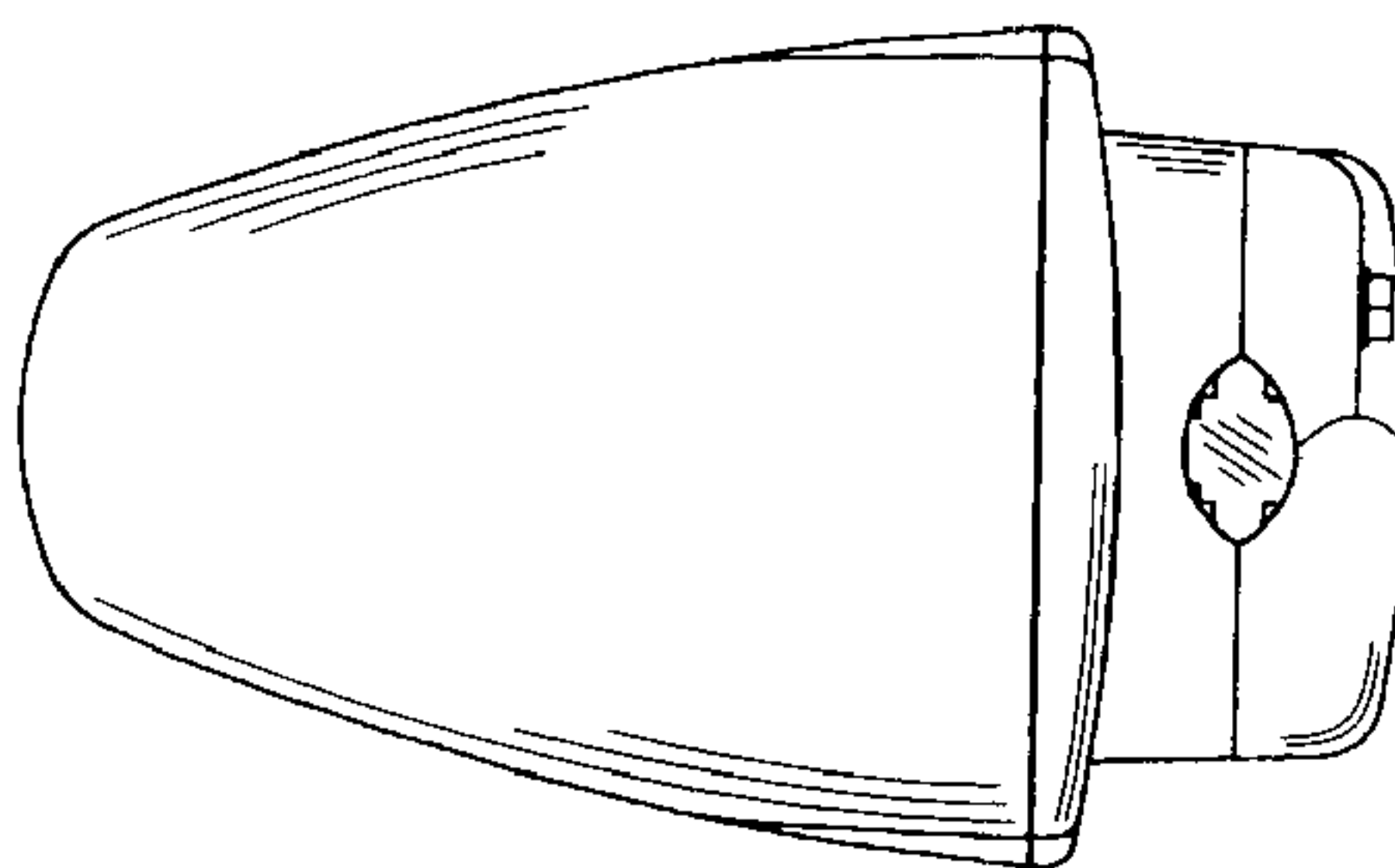


Fig. 6

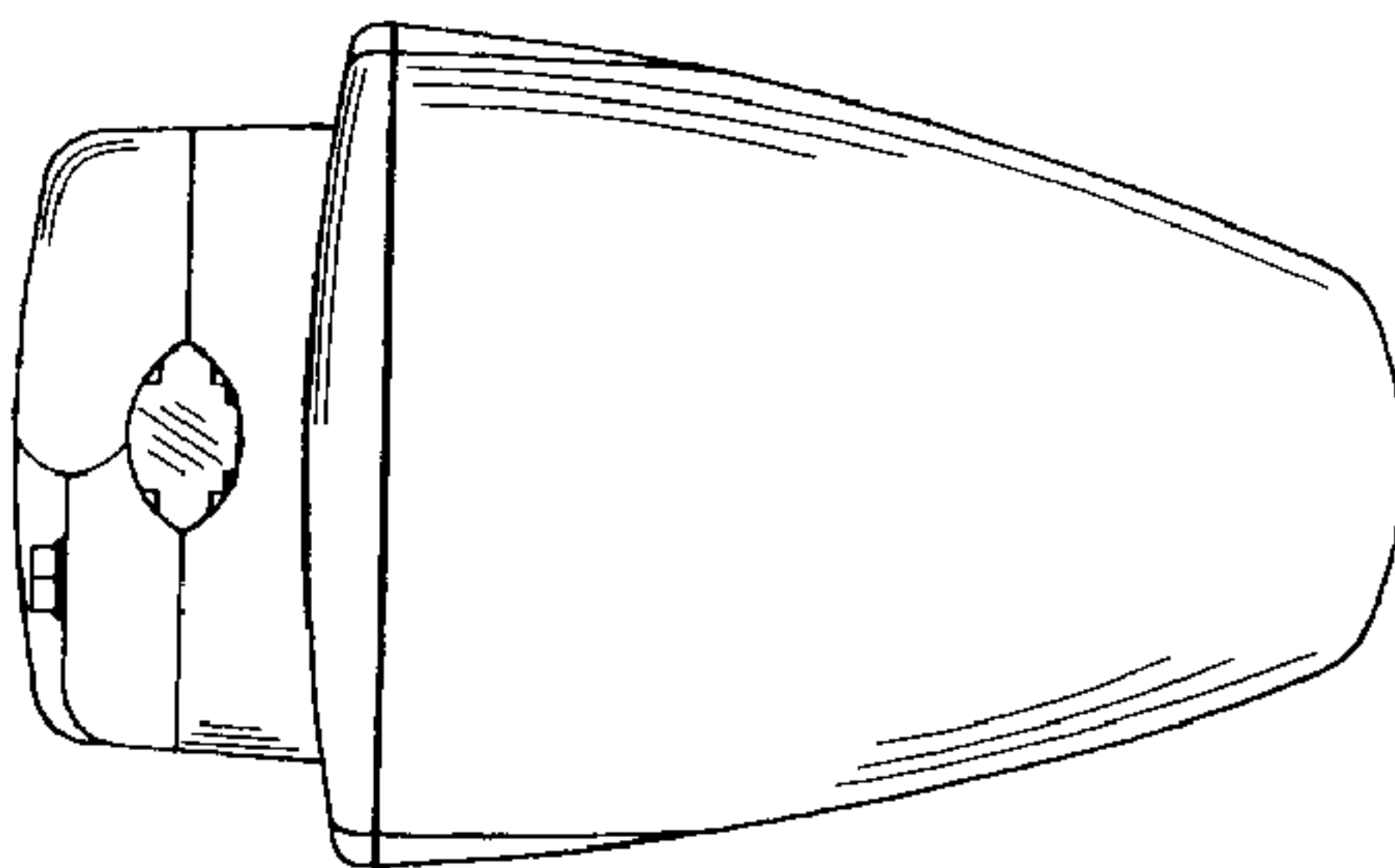


Fig. 7

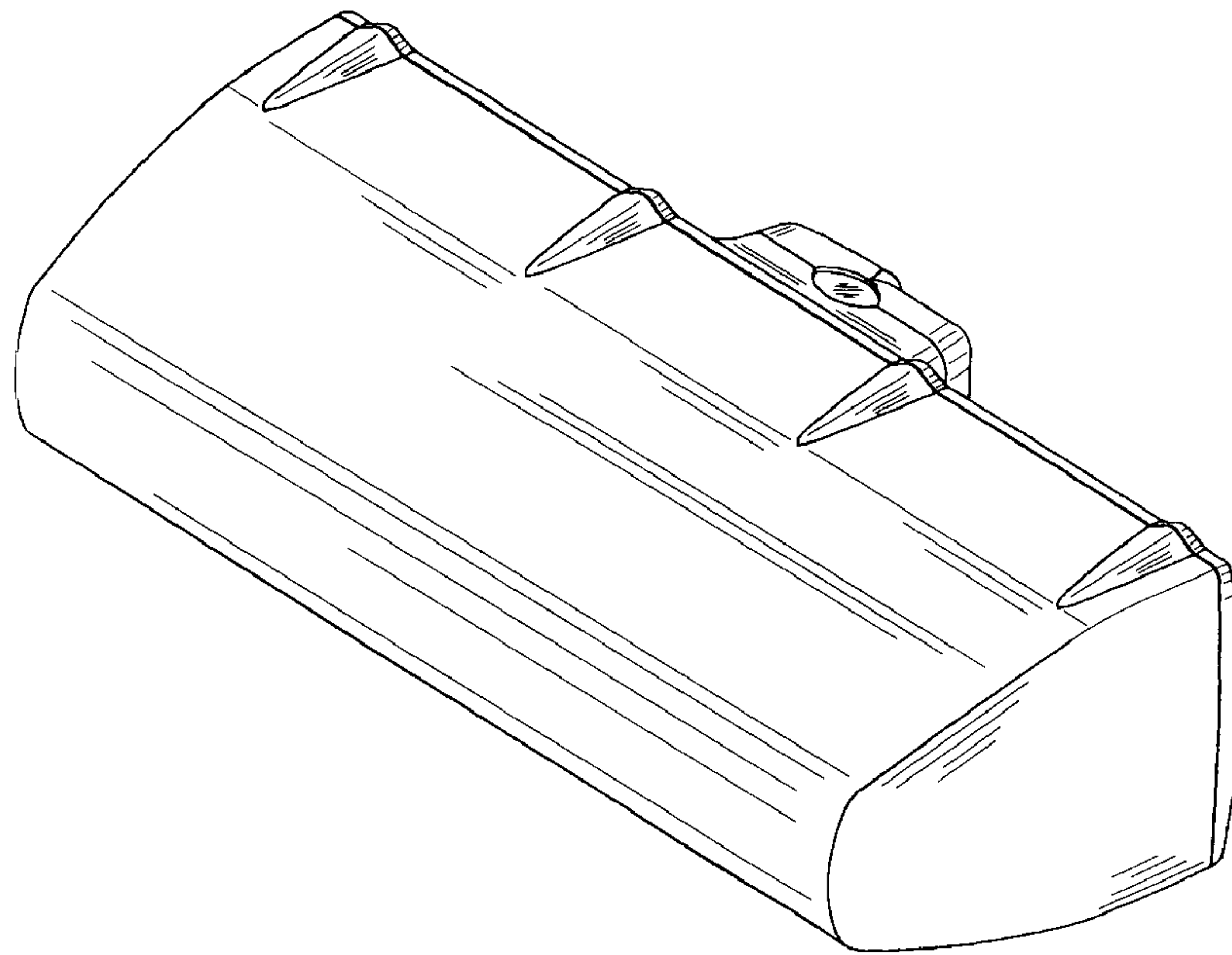


Fig. 8

