



US00D535979S

(12) **United States Design Patent**
Shing

(10) **Patent No.:** **US D535,979 S**

(45) **Date of Patent:** **** Jan. 30, 2007**

(54) **AUDIO SPEAKER GRILL**

(76) Inventor: **Yuen Kim Shing**, 14A, Hung To
Commerical Bldg., 357 Lockhart Road,
Wan Chai, Hong Kong (HK)

(**) Term: **14 Years**

(21) Appl. No.: **29/233,082**

(22) Filed: **Jun. 28, 2005**

(51) **LOC (8) Cl.** **14-01**

(52) **U.S. Cl.** **D14/219**

(58) **Field of Classification Search** D14/204,
D14/207, 209–216, 219, 221; 181/143–144,
181/147–148, 150, 157, 198–199, 151, 153;
381/300–302, 306, 333, 345, 361–364, 386–388,
381/332, 336

See application file for complete search history.

(56) **References Cited**

U.S. PATENT DOCUMENTS

D472,545 S	*	4/2003	Iijima et al.	D14/219
D473,216 S	*	4/2003	Irby et al.	D14/222
D488,802 S	*	4/2004	Uehara et al.	D14/216
D493,161 S	*	7/2004	Iijima et al.	D14/216
D493,445 S	*	7/2004	Iijima et al.	D14/216

* cited by examiner

Primary Examiner—Nanda Bondade

(74) *Attorney, Agent, or Firm*—Malloy & Malloy, P.A.

(57) **CLAIM**

The ornamental design for audio speaker grill, as shown and described.

DESCRIPTION

FIG. 1 is a front perspective view illustrating my design for an audio speaker grill;

FIG. 2 is a front elevation view thereof;

FIG. 3 is a left side view thereof;

FIG. 4 is a top view thereof;

FIG. 5 is a right side view thereof;

FIG. 6 is a bottom view thereof;

FIG. 7 is a rear elevation view thereof.

FIG. 8 is a perspective view of a second embodiment of FIG. 1;

FIG. 9 is a front elevation of the embodiment of FIG. 8;

FIG. 10 is a left side view of the embodiment of FIG. 8;

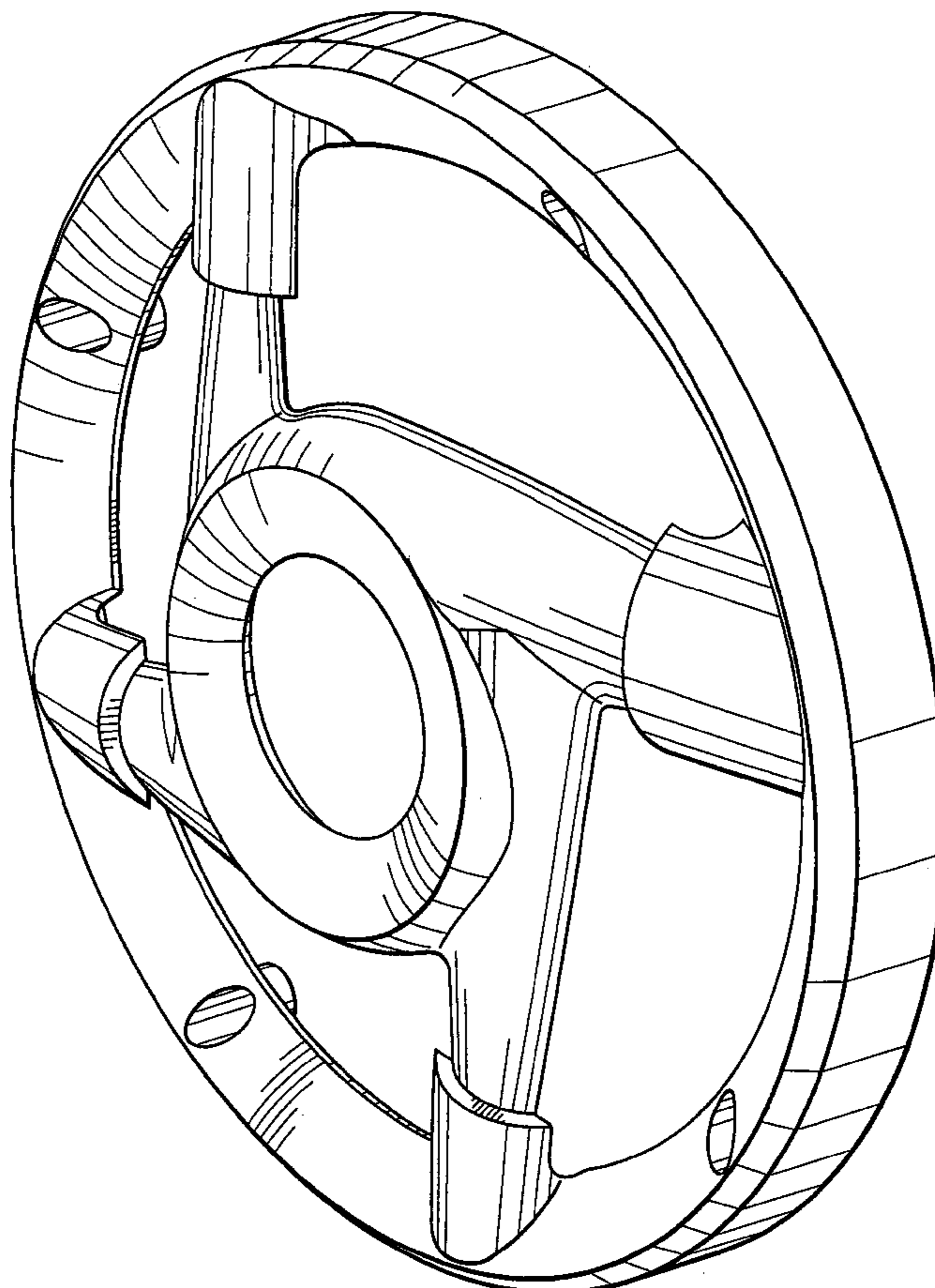
FIG. 11 is a top view of the embodiment of FIG. 8;

FIG. 12 is a right side view of the embodiment of FIG. 8;

FIG. 13 is a bottom view of the embodiment of FIG. 8; and,

FIG. 14 is a rear view of the embodiment of FIG. 8.

1 Claim, 6 Drawing Sheets



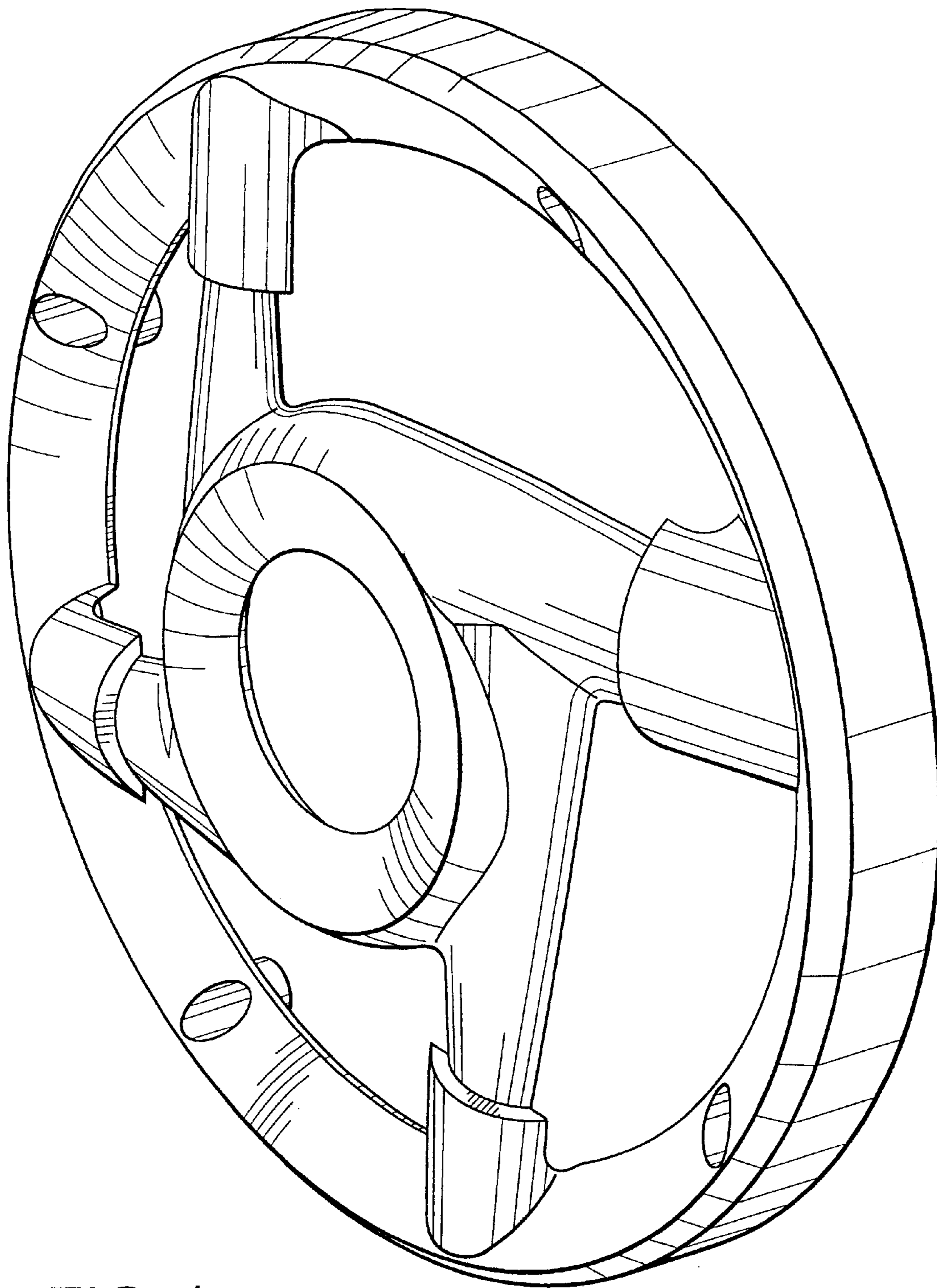


FIG. 1

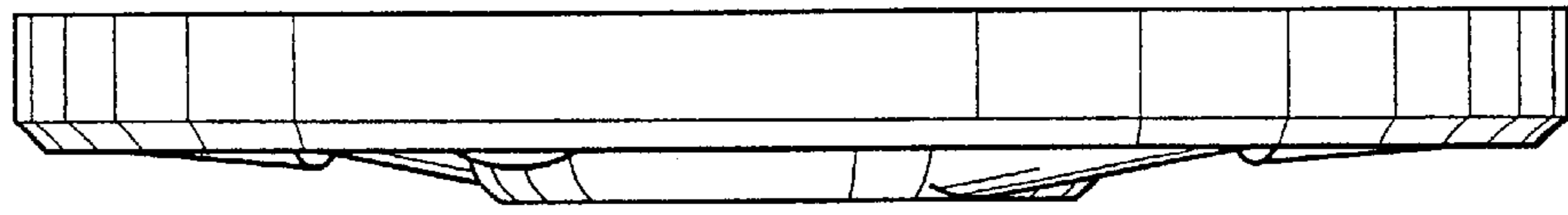


FIG. 4

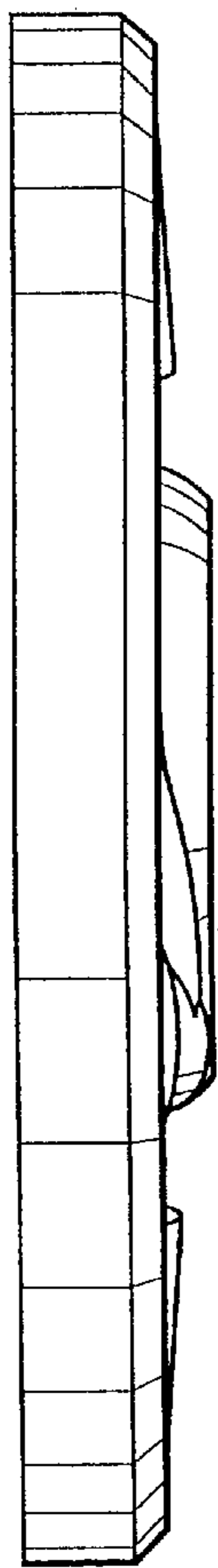


FIG. 3

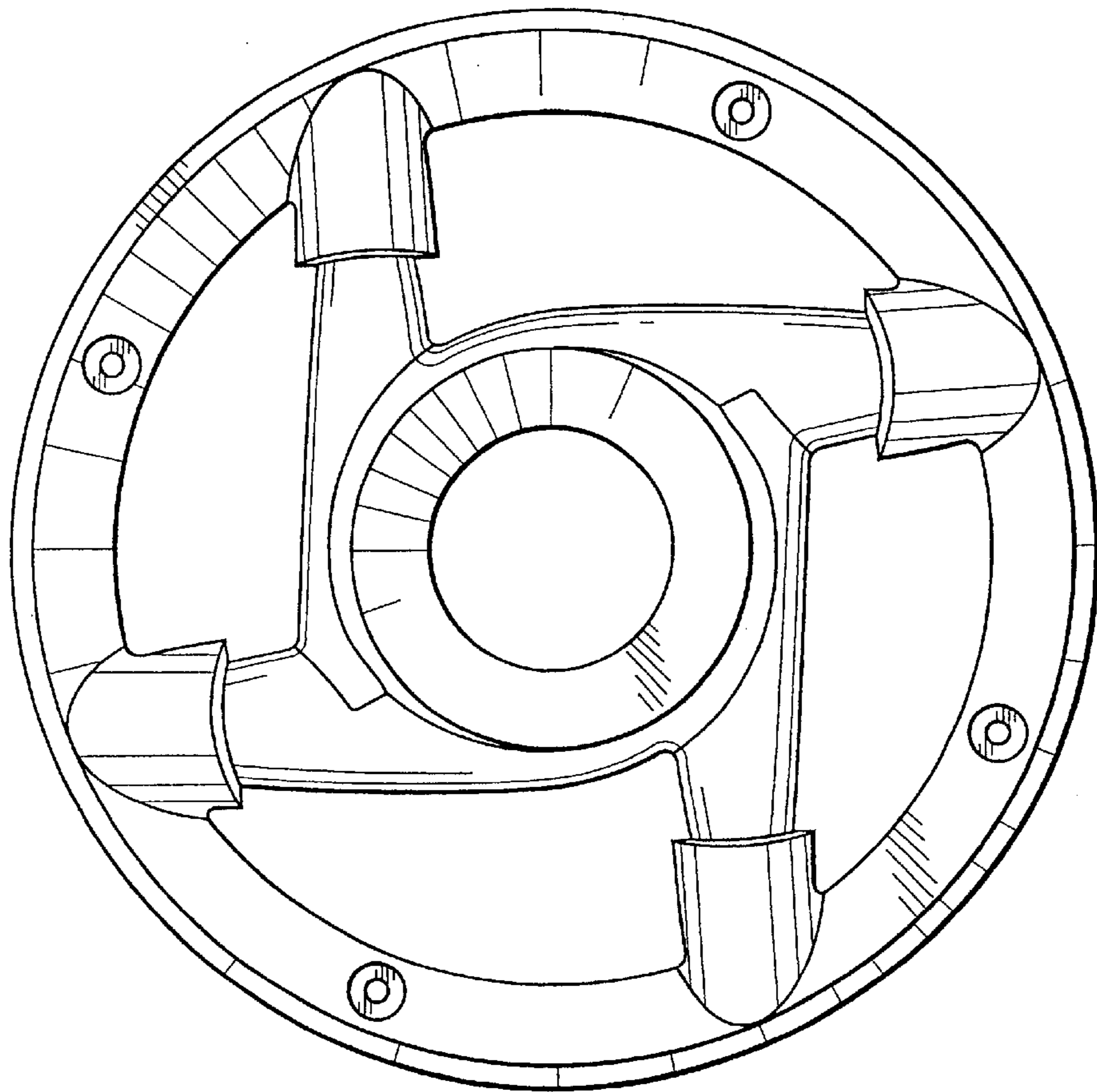


FIG. 2

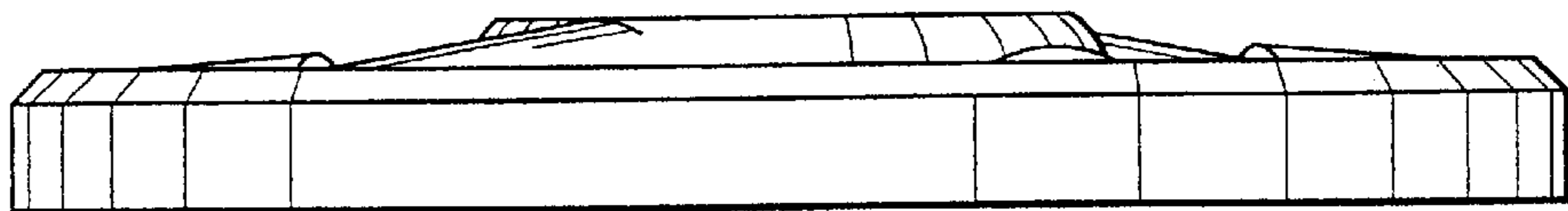


FIG. 6

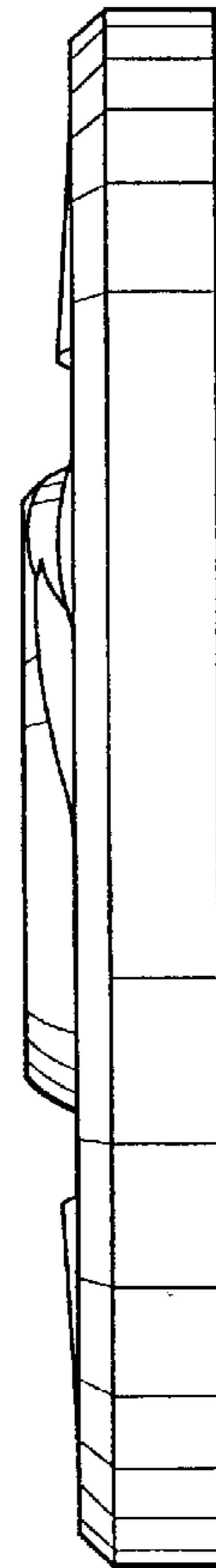


FIG. 5

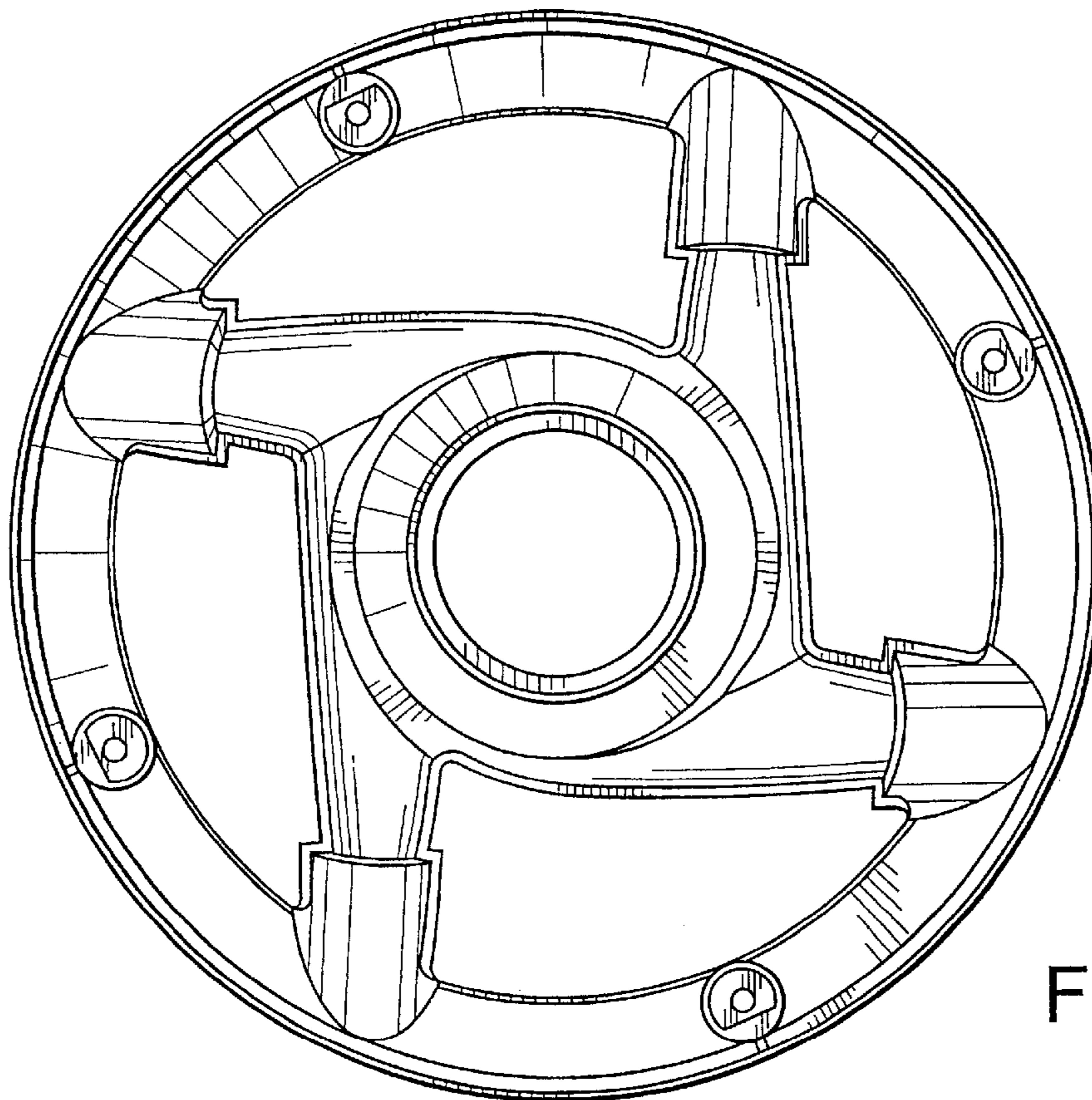


FIG. 7

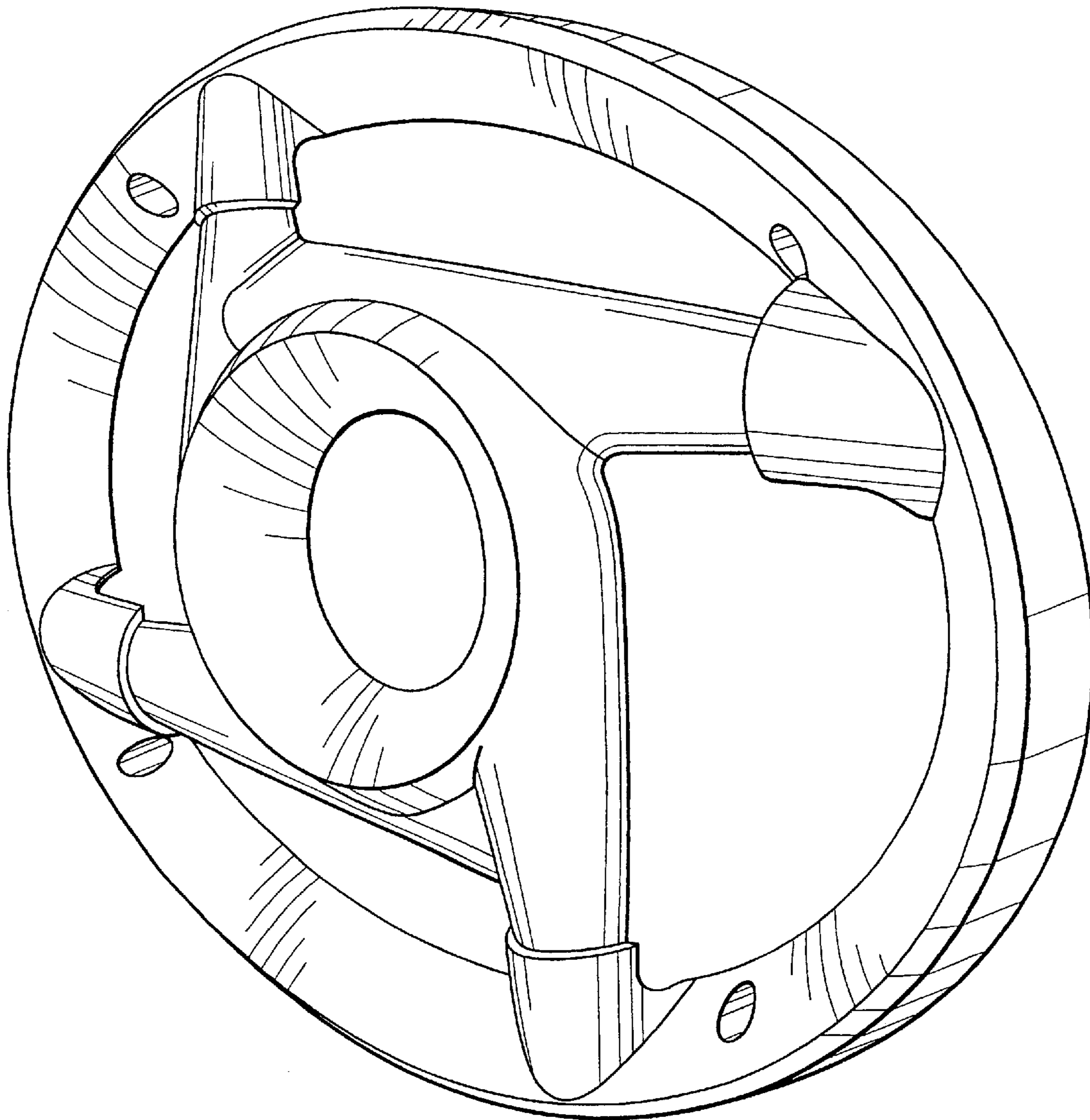


FIG. 8

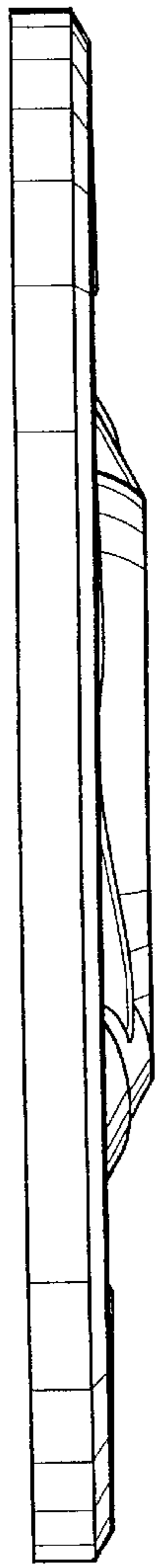


FIG. 11

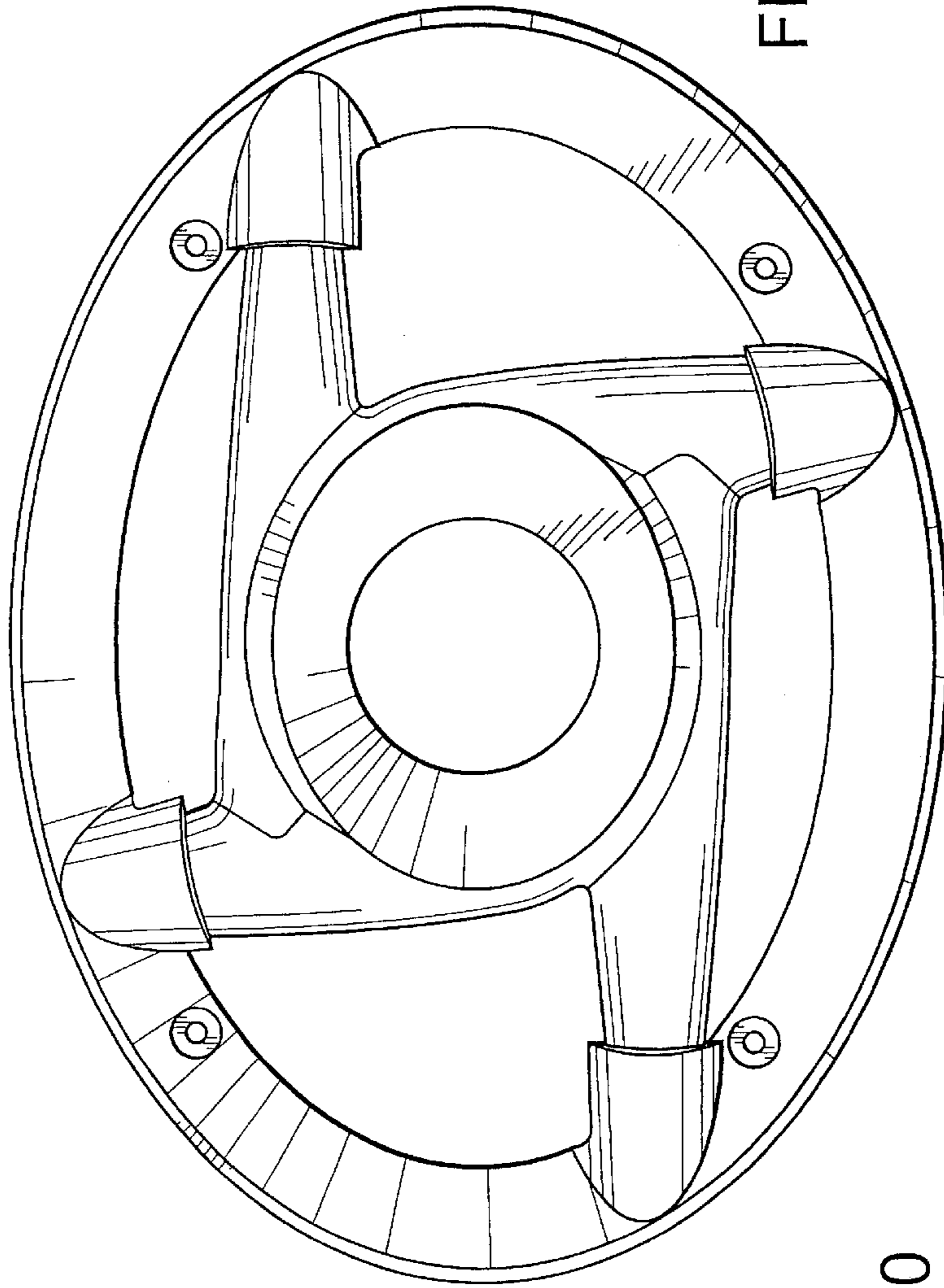


FIG. 9

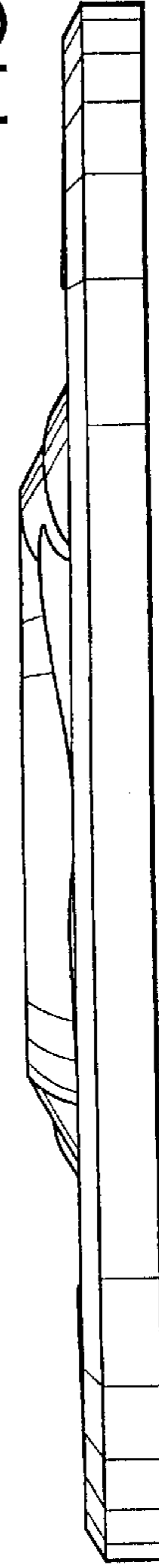


FIG. 13

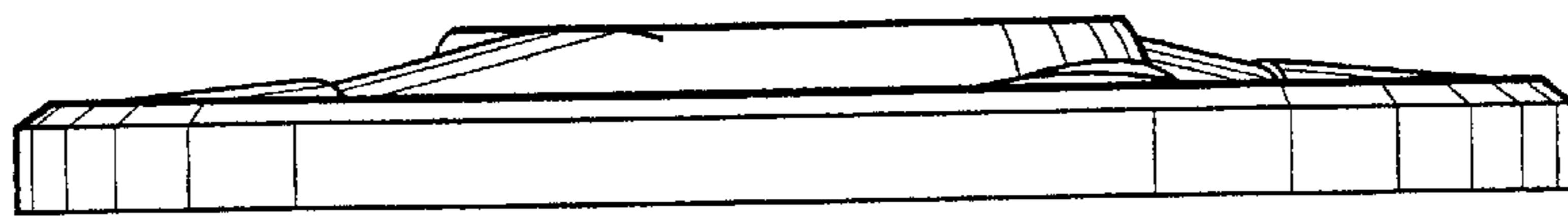


FIG. 10

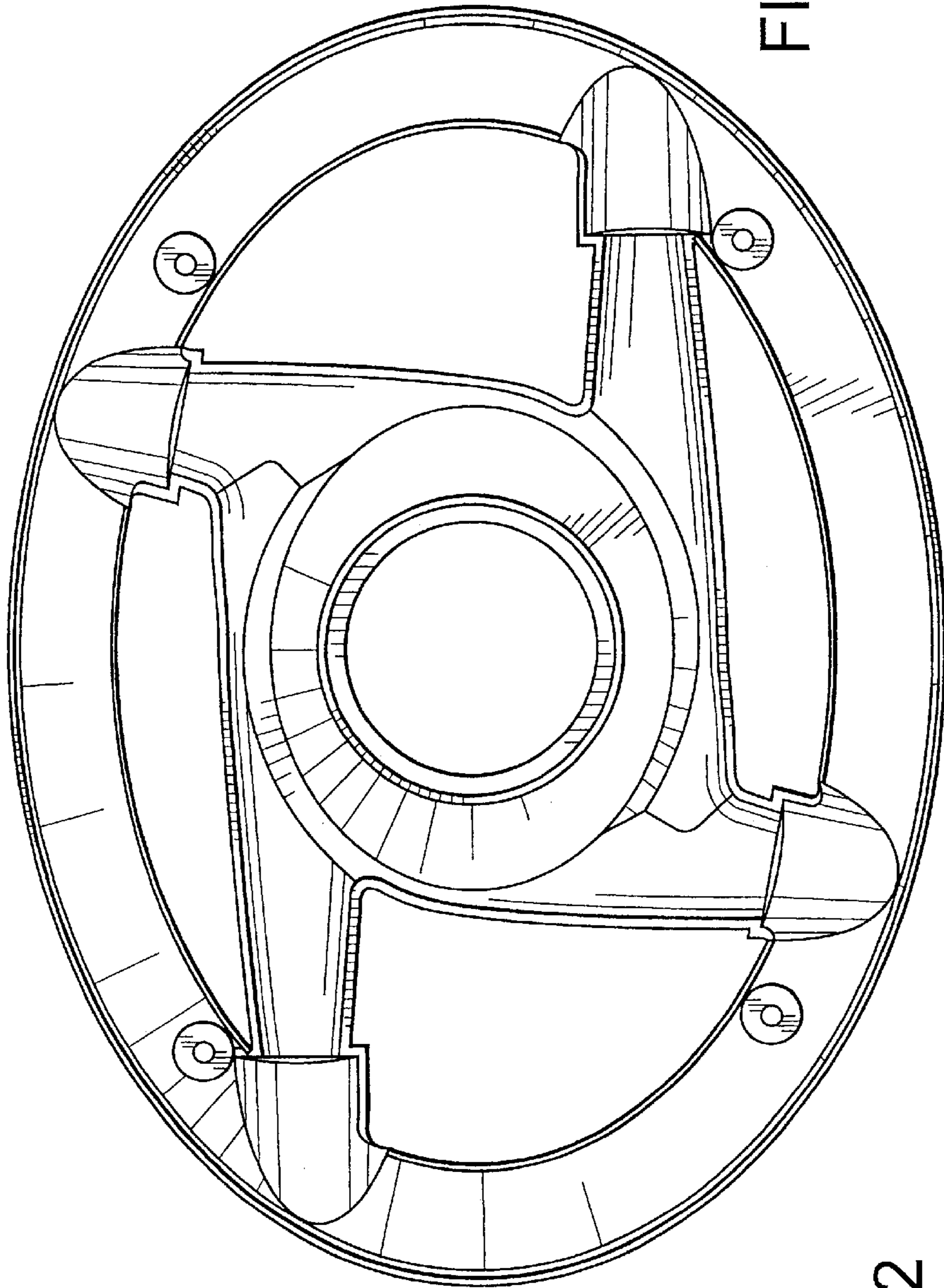


FIG. 12

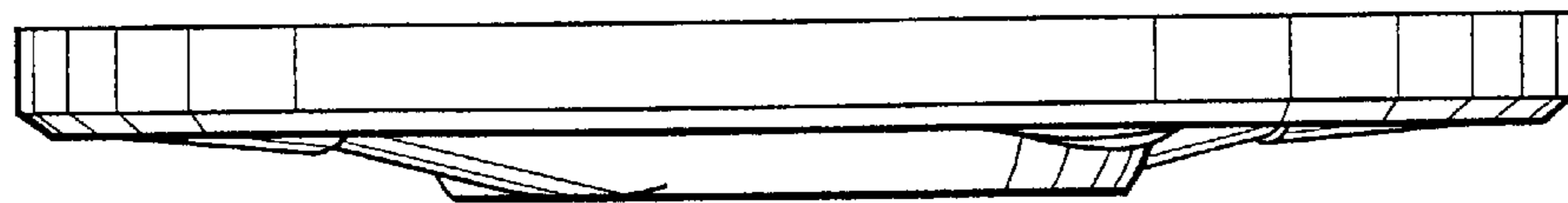


FIG. 14