



US00D535978S

(12) **United States Design Patent**
Hussaini et al.

(10) **Patent No.:** **US D535,978 S**
(45) **Date of Patent:** **** Jan. 30, 2007**

(54) **AUDIO ACCESSORY FOR PORTABLE ELECTRONIC DEVICE**

Primary Examiner—Nanda Bondade
(74) *Attorney, Agent, or Firm*—Berenato, White & Stavish

(75) Inventors: **Saied Hussaini**, Miami, FL (US); **Marc Iacovelli**, Miami, FL (US)

(57) **CLAIM**

The ornamental design for a audio accessory for portable electronic device, as shown and described.

(73) Assignee: **Intec, Inc.**, Miami, FL (US)

(**) Term: **14 Years**

DESCRIPTION

(21) Appl. No.: **29/243,989**

FIG. 1 is a perspective view of the audio accessory for portable electronic device according to the present invention.

(22) Filed: **Dec. 5, 2005**

(51) **LOC (8) Cl.** **14-01**

(52) **U.S. Cl.** **D14/215**

(58) **Field of Classification Search** D14/204, D14/207, 209–216, 356, 496; D13/133; 181/143–144, 181/147–148, 150, 157, 198–199, 151, 153; 381/300–302, 306, 333, 345, 361–364, 386–388, 381/332, 336

FIG. 2 is a front view of the audio accessory for portable electronic device of FIG. 1.

FIG. 3 is a rear view of the audio accessory for portable electronic device of FIG. 1.

FIG. 4 is a right side view of the audio accessory for portable electronic device of FIG. 1.

See application file for complete search history.

FIG. 5 is a left side view of the audio accessory for portable electronic device of FIG. 1.

(56) **References Cited**

U.S. PATENT DOCUMENTS

D440,556 S	*	4/2001	Kobayashi et al.	D14/215
D469,421 S	*	1/2003	Stickles et al.	D14/204
D470,459 S	*	2/2003	Goto	D13/133
D507,258 S	*	7/2005	Hussaini et al.	D14/214

FIG. 6 is a top view of the audio accessory for portable electronic device of FIG. 1; and,

FIG. 7 is a bottom view of the audio accessory for portable electronic device of FIG. 1.

* cited by examiner

1 Claim, 5 Drawing Sheets

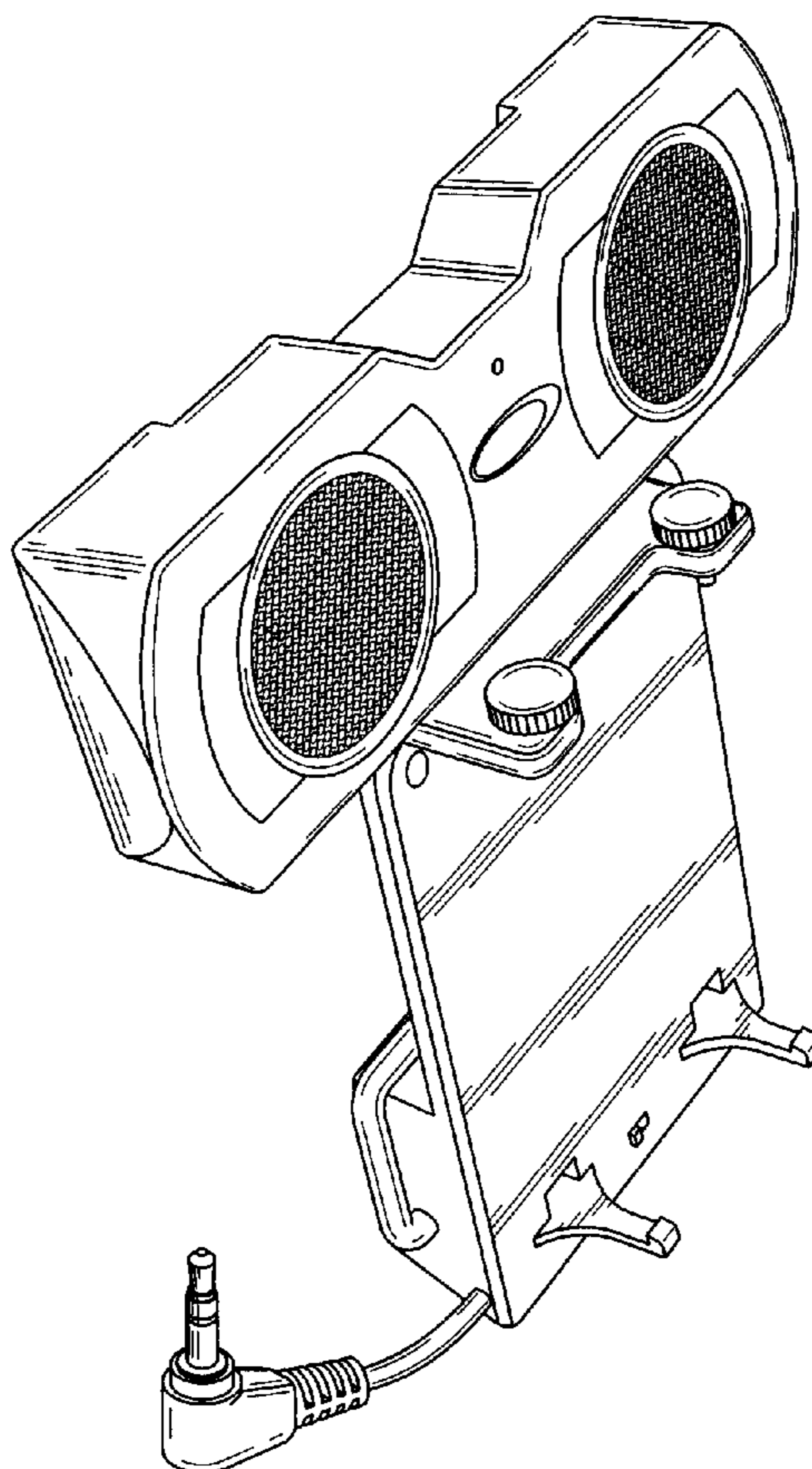


Fig. 1

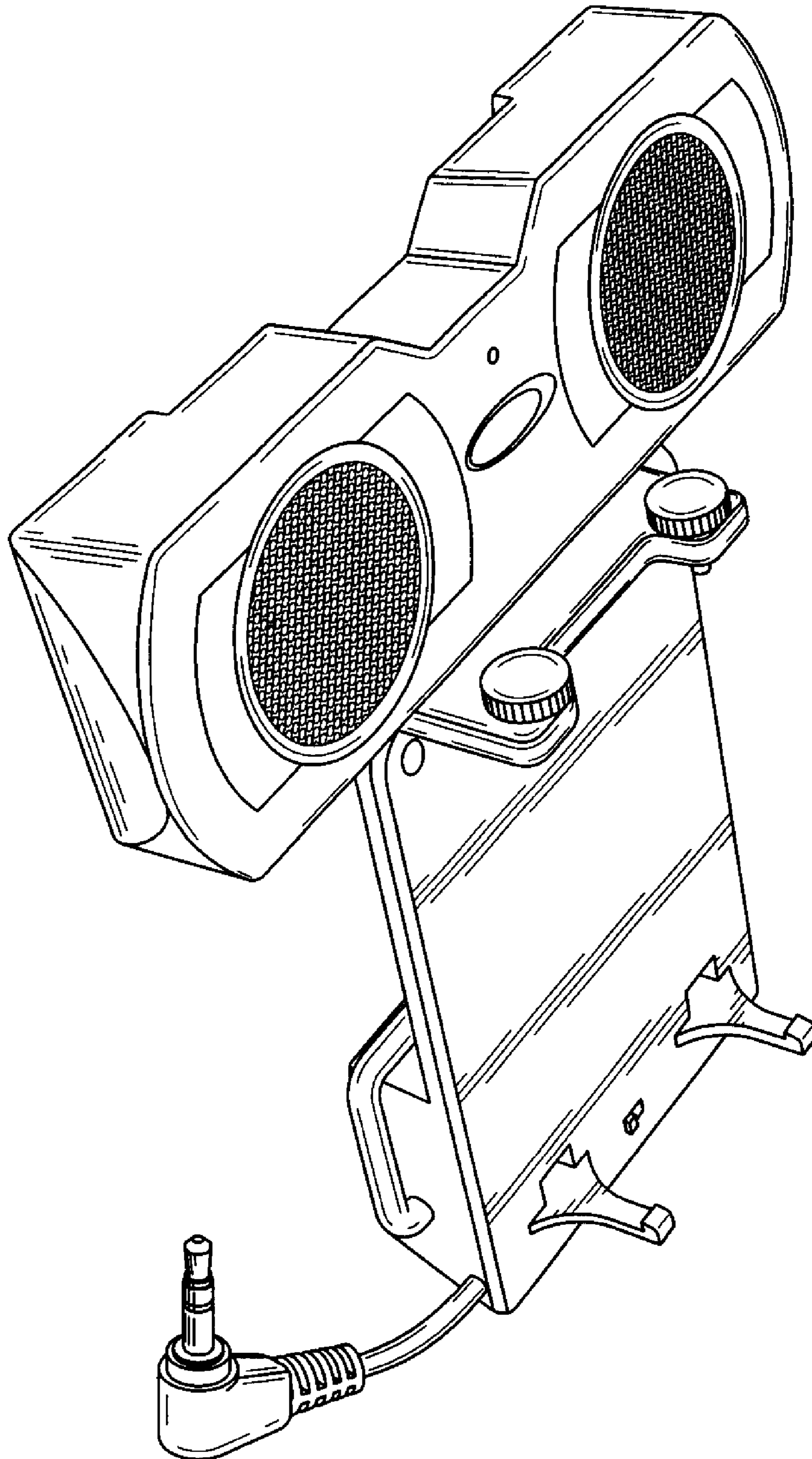


Fig. 2

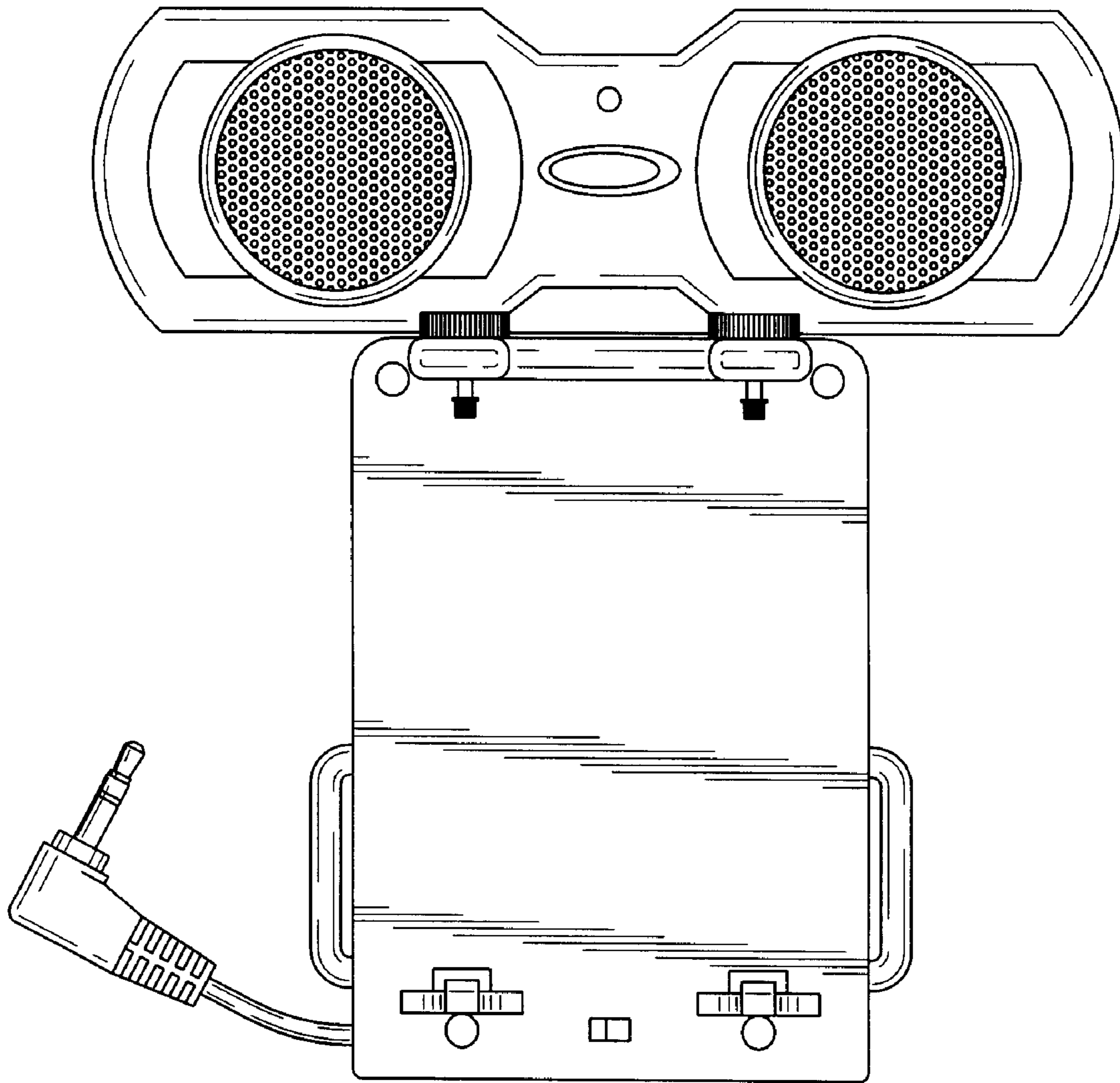


Fig. 3

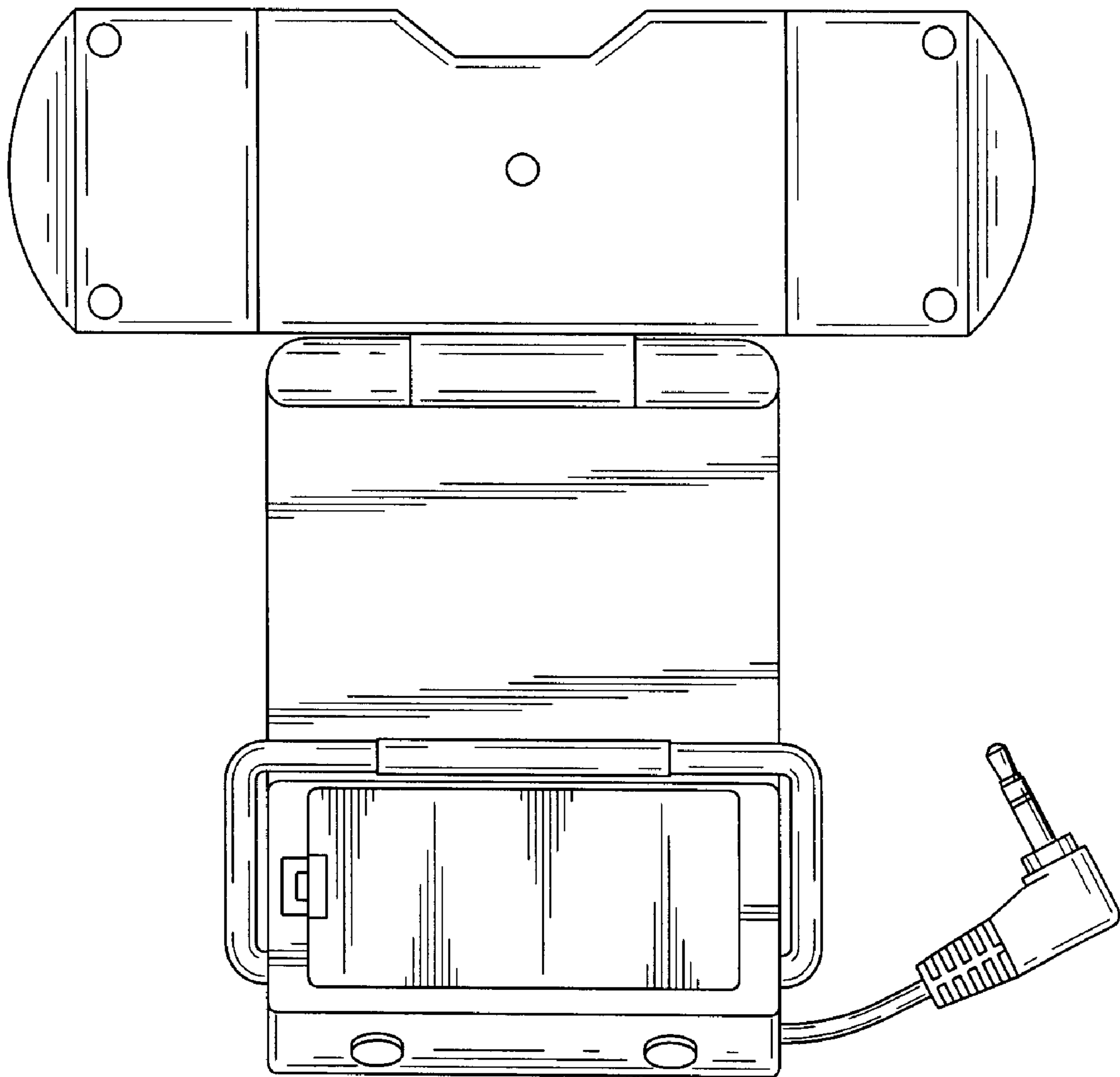


Fig. 4

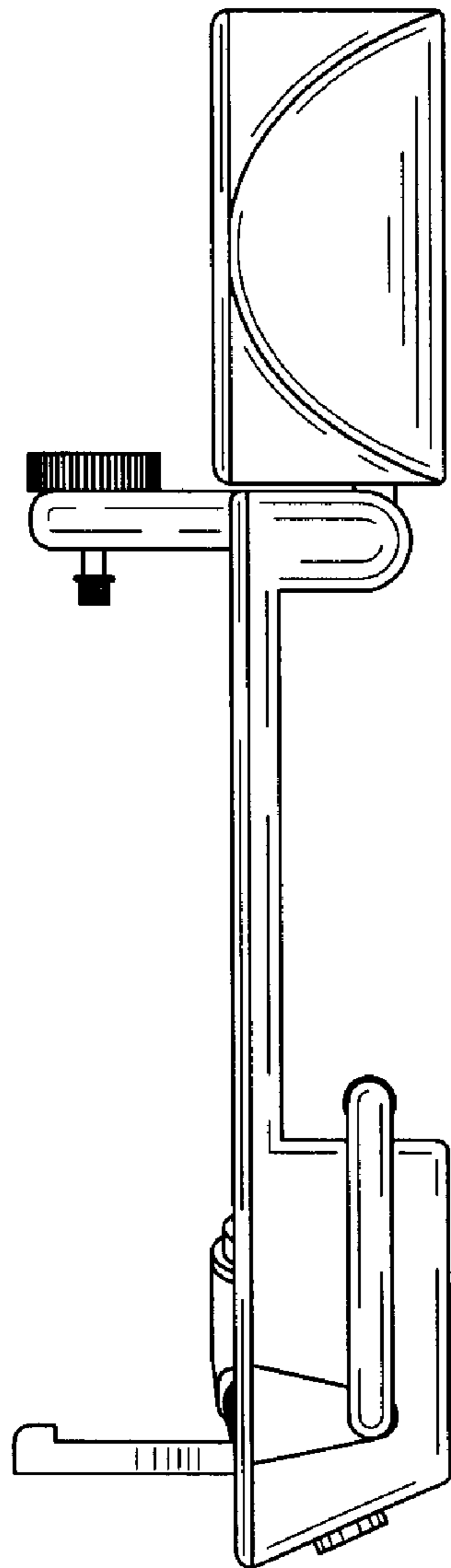


Fig. 5

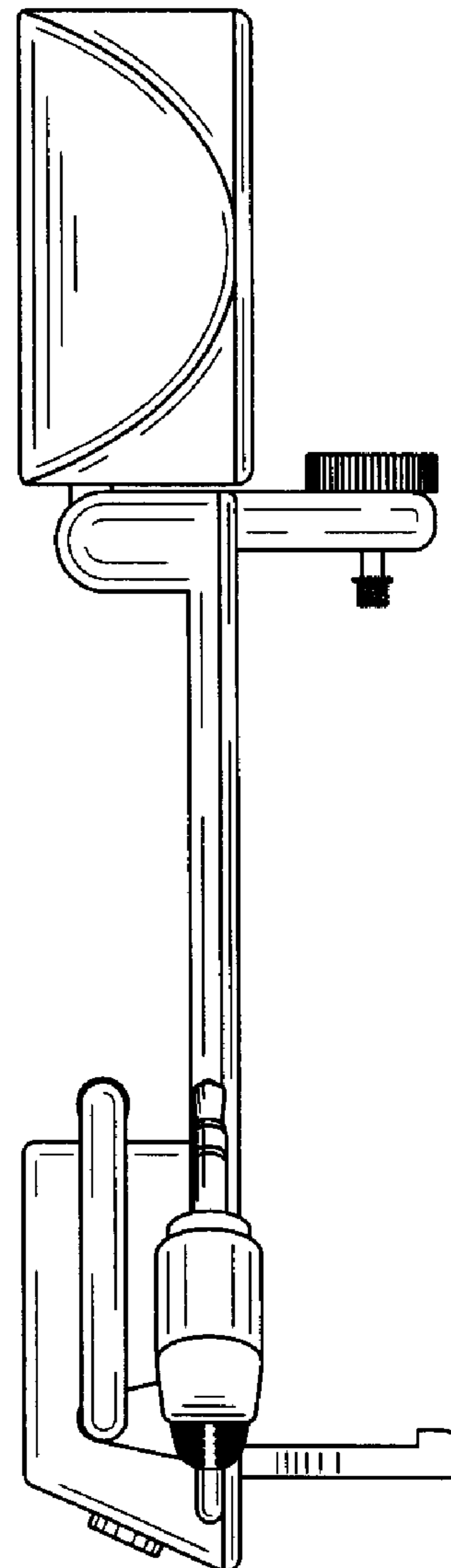


Fig. 6

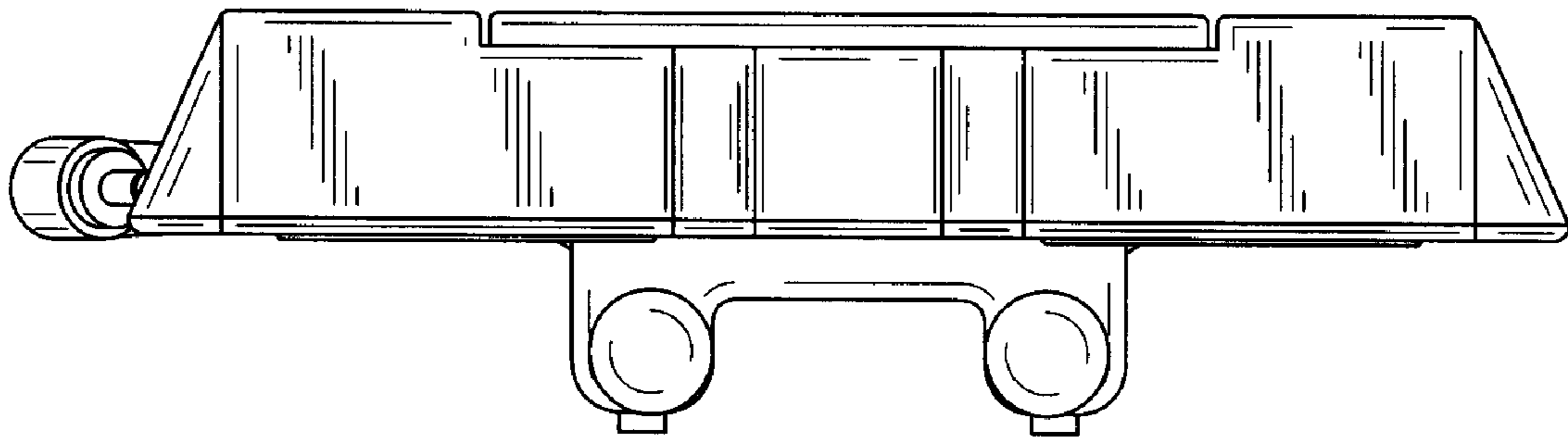


Fig. 7

