



US00D535970S

(12) **United States Design Patent**  
**Beasley et al.**

(10) **Patent No.:** **US D535,970 S**  
(45) **Date of Patent:** **\*\* Jan. 30, 2007**

- (54) **TELEPHONE BASE**
- (75) Inventors: **Jeffery R. Beasley**, Suwanee, GA (US);  
**Christopher G. Franck**, Decatur, GA  
(US); **Matthew M. Julian**, Sunrise, FL  
(US)
- (73) Assignee: **General Instrument Corporation**,  
Horsham, PA (US)
- (\*\*) Term: **14 Years**
- (21) Appl. No.: **29/228,868**
- (22) Filed: **Apr. 29, 2005**
- (51) **LOC (8) Cl.** ..... **14-03**
- (52) **U.S. Cl.** ..... **D14/151**
- (58) **Field of Classification Search** ..... D14/130,  
D14/138, 140, 142-144, 147-151, 243, 251-253,  
D14/329-330, 434; D13/107-108; D21/405,  
D21/517; 379/419, 428.01-428.04, 433.01-433.13,  
379/434, 440; 455/90.3, 556.1, 556.2, 566,  
455/575.1; 320/107-108, 114-115  
See application file for complete search history.

- D352,497 S \* 11/1994 Scianna et al. .... D13/108
- D356,087 S \* 3/1995 Jarrett et al. .... D14/151
- D359,284 S \* 6/1995 Hung ..... D14/151
- D363,286 S \* 10/1995 Solomita ..... D14/151
- D369,803 S \* 5/1996 Ka Hung ..... D14/149
- D375,935 S \* 11/1996 Nagele et al. .... D13/108
- D384,663 S \* 10/1997 Solomita et al. .... D14/141.1
- D405,447 S \* 2/1999 Landry et al. .... D14/151
- D428,868 S \* 8/2000 Bryant et al. .... D14/148
- D432,107 S \* 10/2000 Isonaga ..... D14/149
- D438,524 S \* 3/2001 Batson et al. .... D14/151
- D439,231 S \* 3/2001 Song ..... D14/144
- D442,158 S \* 5/2001 Isonaga ..... D14/151
- D489,348 S \* 5/2004 Robertson et al. .... D14/151
- D511,510 S \* 11/2005 Beasley et al. .... D14/149
- D513,411 S \* 1/2006 Beasley et al. .... D14/149

**FOREIGN PATENT DOCUMENTS**

- WO DM/046695 \* 2/1999
  - WO DM/051580 \* 6/1999
  - WO DM/050606 \* 11/1999
  - WO DM/055666 \* 5/2000
  - WO DM/061041 \* 6/2002
- \* cited by examiner

(56) **References Cited**  
**U.S. PATENT DOCUMENTS**

- D257,772 S \* 1/1981 Fukutani ..... D14/151
- D279,894 S \* 7/1985 Marshall ..... D14/150
- D286,042 S \* 10/1986 Fukutani ..... D14/151
- D298,132 S \* 10/1988 Hickling ..... D14/150
- D299,228 S \* 1/1989 Kurosu et al. .... D14/151
- D299,717 S \* 2/1989 Fukutome ..... D14/151
- D304,727 S \* 11/1989 Barker et al. .... D14/151
- D306,295 S \* 2/1990 Nagele ..... D14/149
- D316,857 S \* 5/1991 Park ..... D14/138
- D318,051 S \* 7/1991 Danielson et al. .... D14/142
- D319,826 S \* 9/1991 Hung ..... D14/142
- D320,985 S \* 10/1991 Danielson et al. .... D14/142
- D321,511 S \* 11/1991 Swarthout et al. .... D14/151
- D322,612 S \* 12/1991 Abrams ..... D14/151
- D328,295 S \* 7/1992 Gagnon et al. .... D14/142
- D330,028 S \* 10/1992 Gagnon et al. .... D14/151
- D332,786 S \* 1/1993 Gagnon ..... D14/142
- D334,751 S \* 4/1993 Westwood ..... D14/151
- D345,974 S \* 4/1994 Biskup et al. .... D14/149
- D349,899 S \* 8/1994 Siddoway et al. .... D14/151

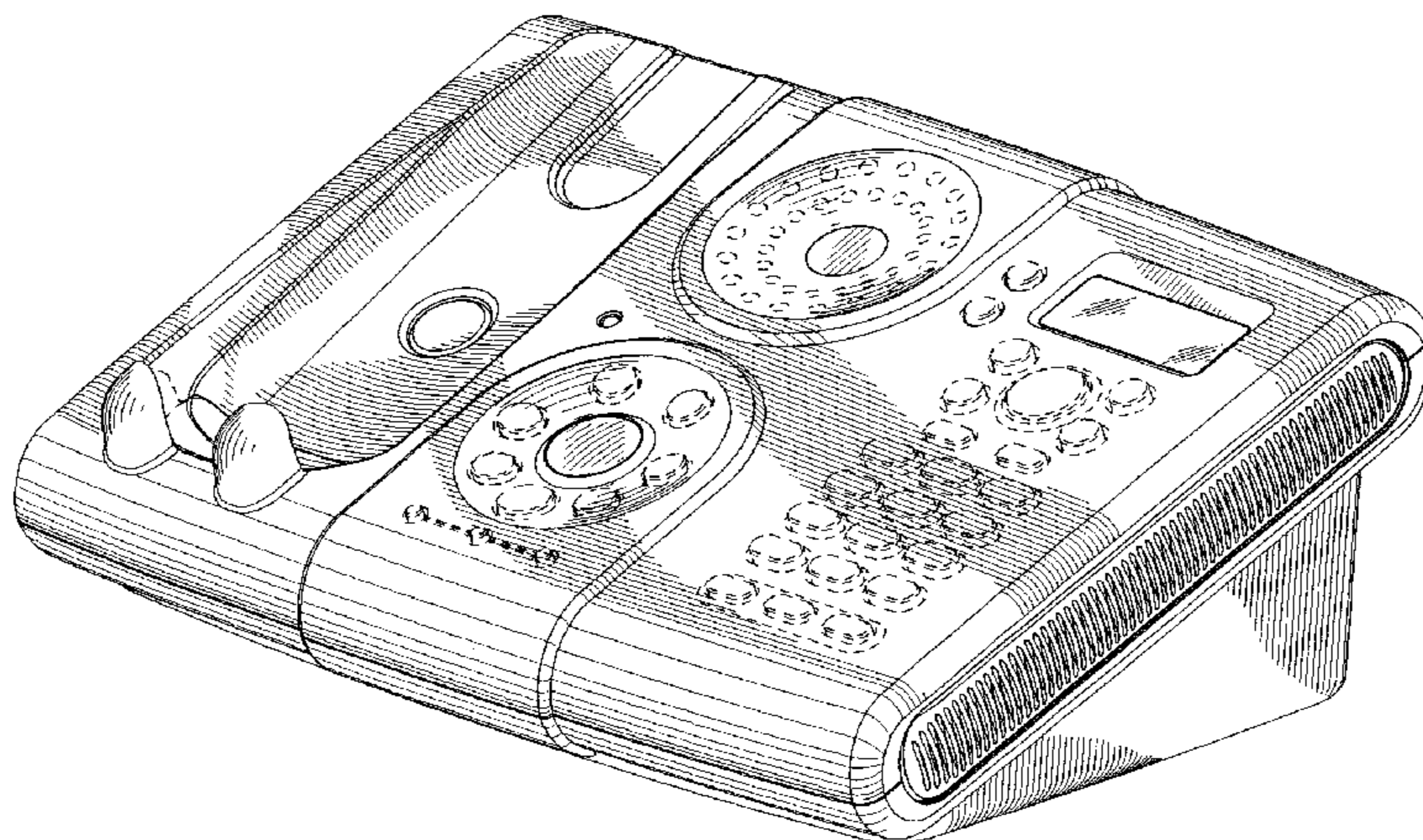
*Primary Examiner*—Ian Simmons  
*Assistant Examiner*—Carla Jobe Wright  
(74) *Attorney, Agent, or Firm*—Thomas Bethea, Jr.  
(57) **CLAIM**

The ornamental design for a telephone base, as shown and described.

**DESCRIPTION**

FIG. 1 is a front perspective view of a telephone base; FIG. 2 is a top view of the telephone base of FIG. 1; FIG. 3 is a bottom view of the telephone base of FIG. 1; FIG. 4 is a front view of the telephone base of FIG. 1; FIG. 5 is a bottom view of the telephone base of FIG. 1; FIG. 6 is a side end view of the telephone base of FIG. 1; and, FIG. 7 is an opposite side end view of the telephone base of FIG. 1. The portions drawn in broken lines are shown for illustrative purposes only and do not form part of the claimed design.

**1 Claim, 5 Drawing Sheets**



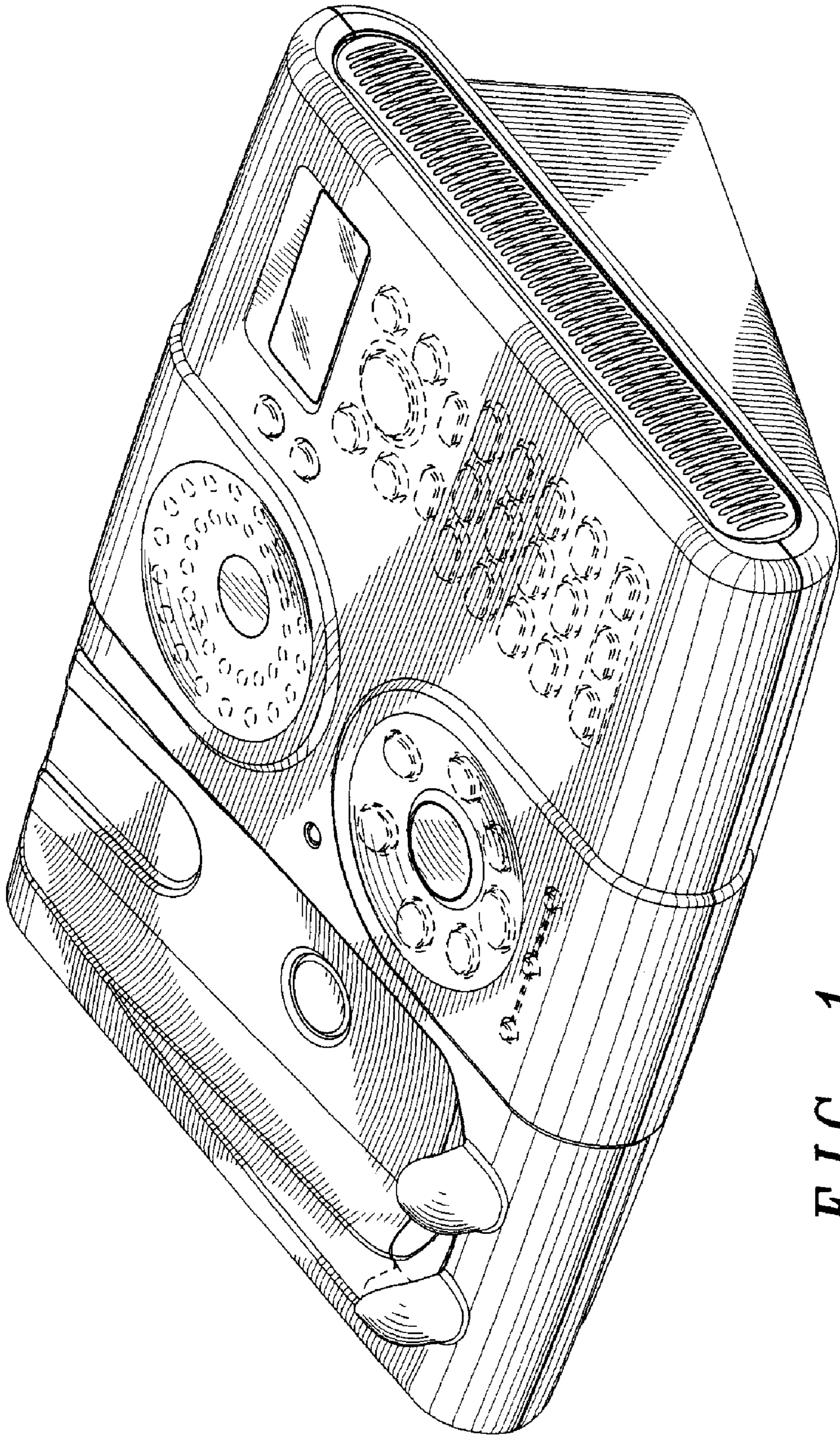


FIG. 1

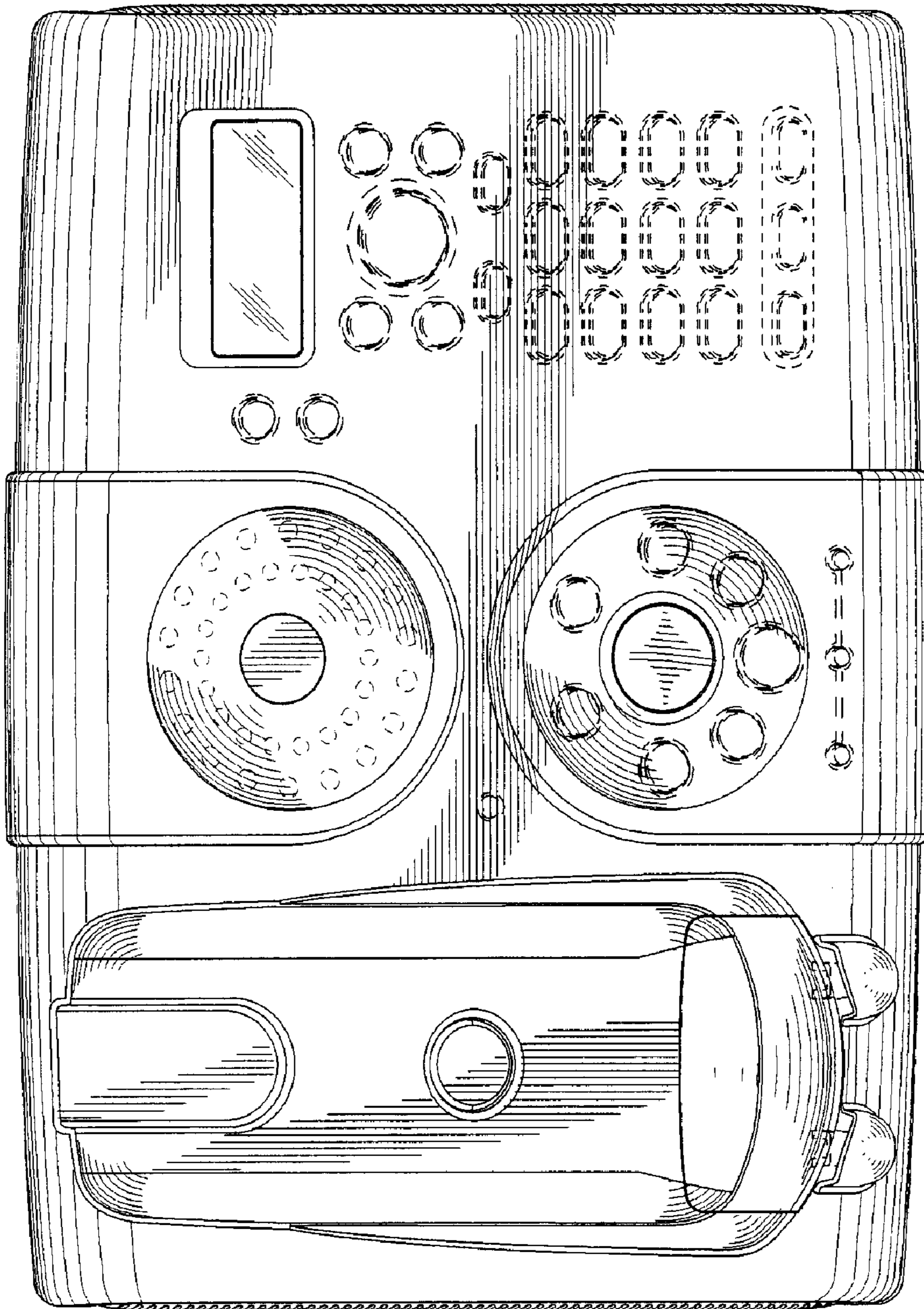


FIG. 2

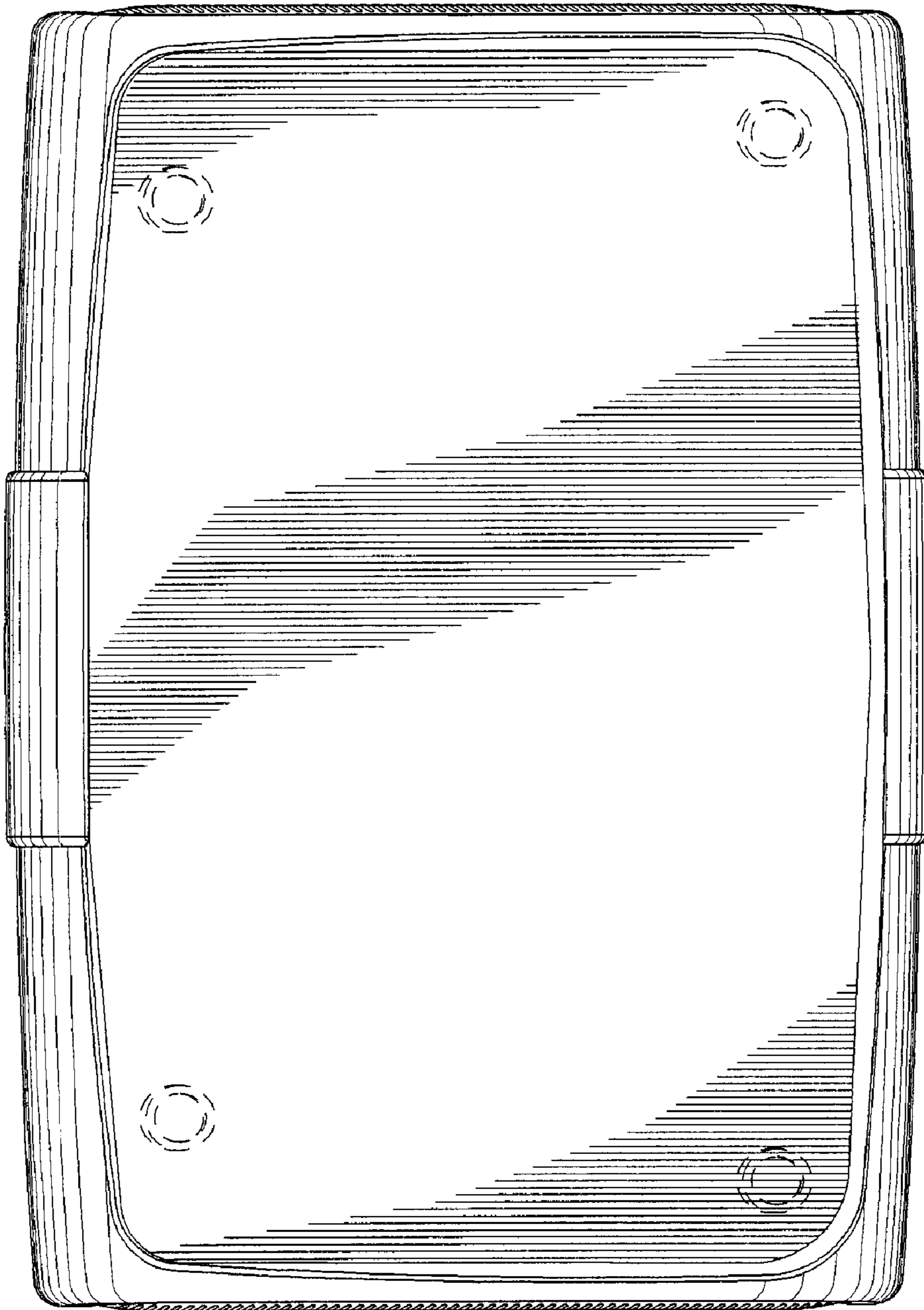


FIG. 3

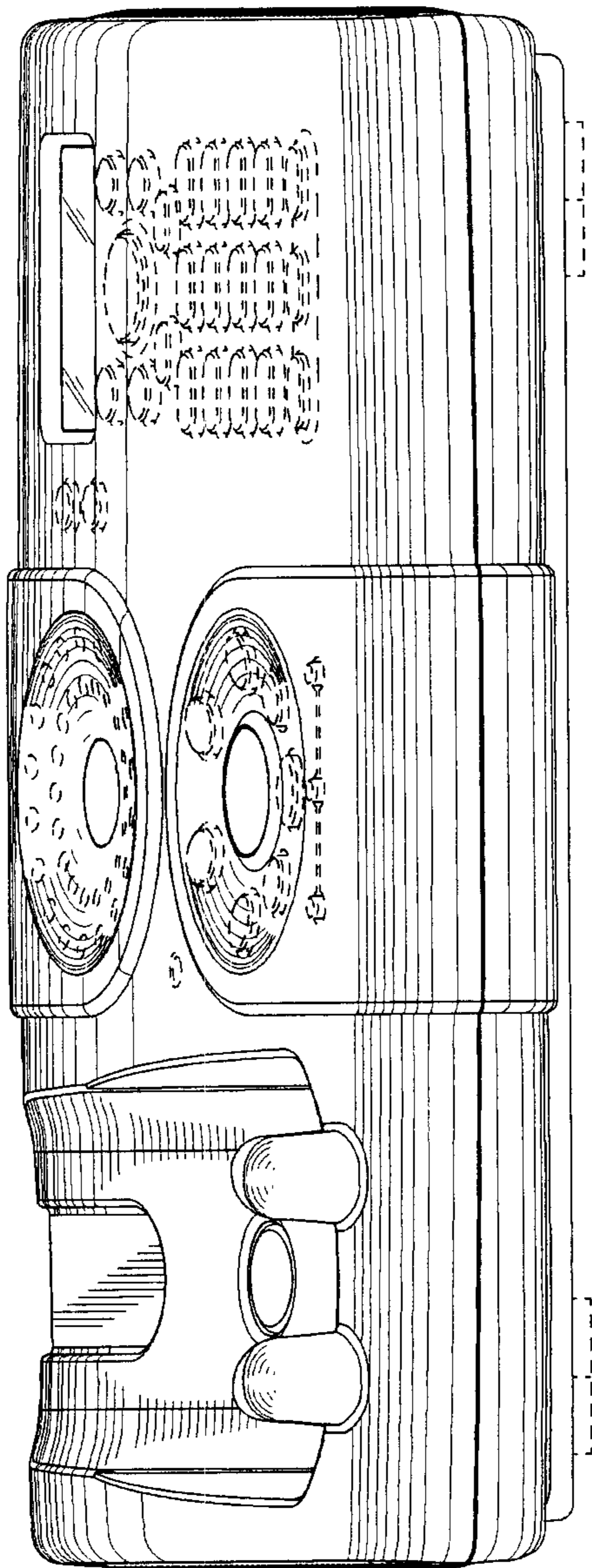


FIG. 4

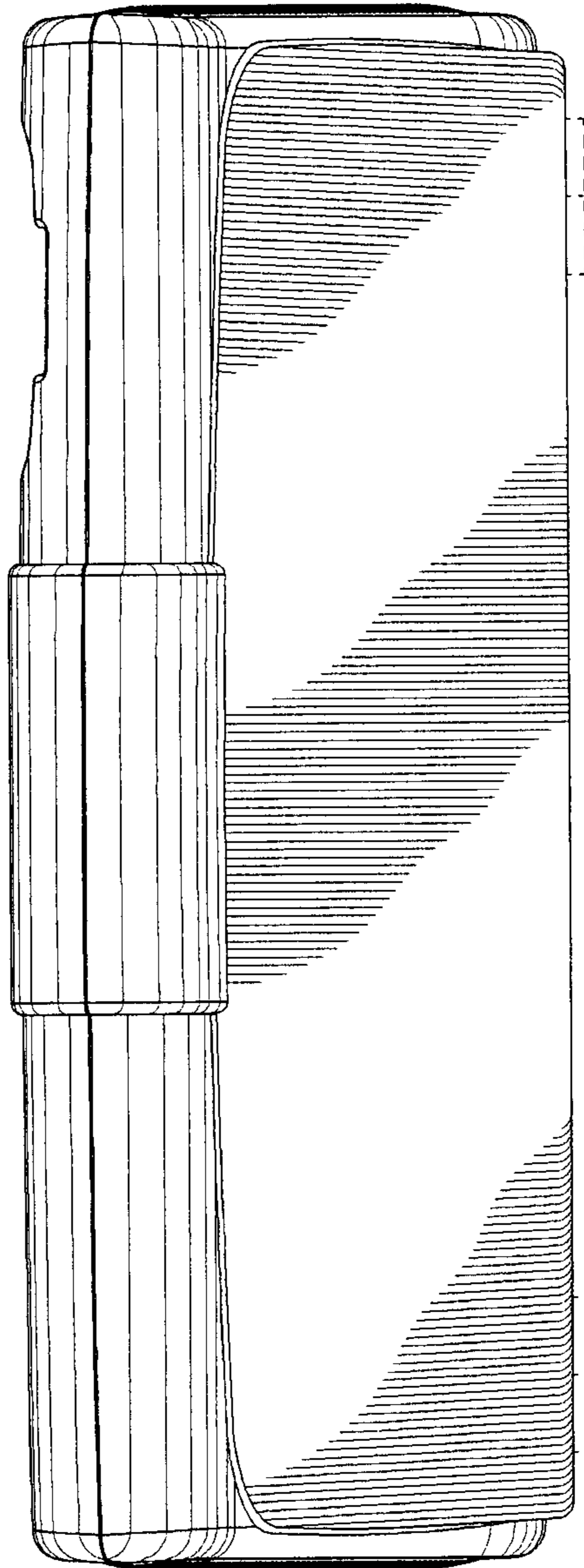
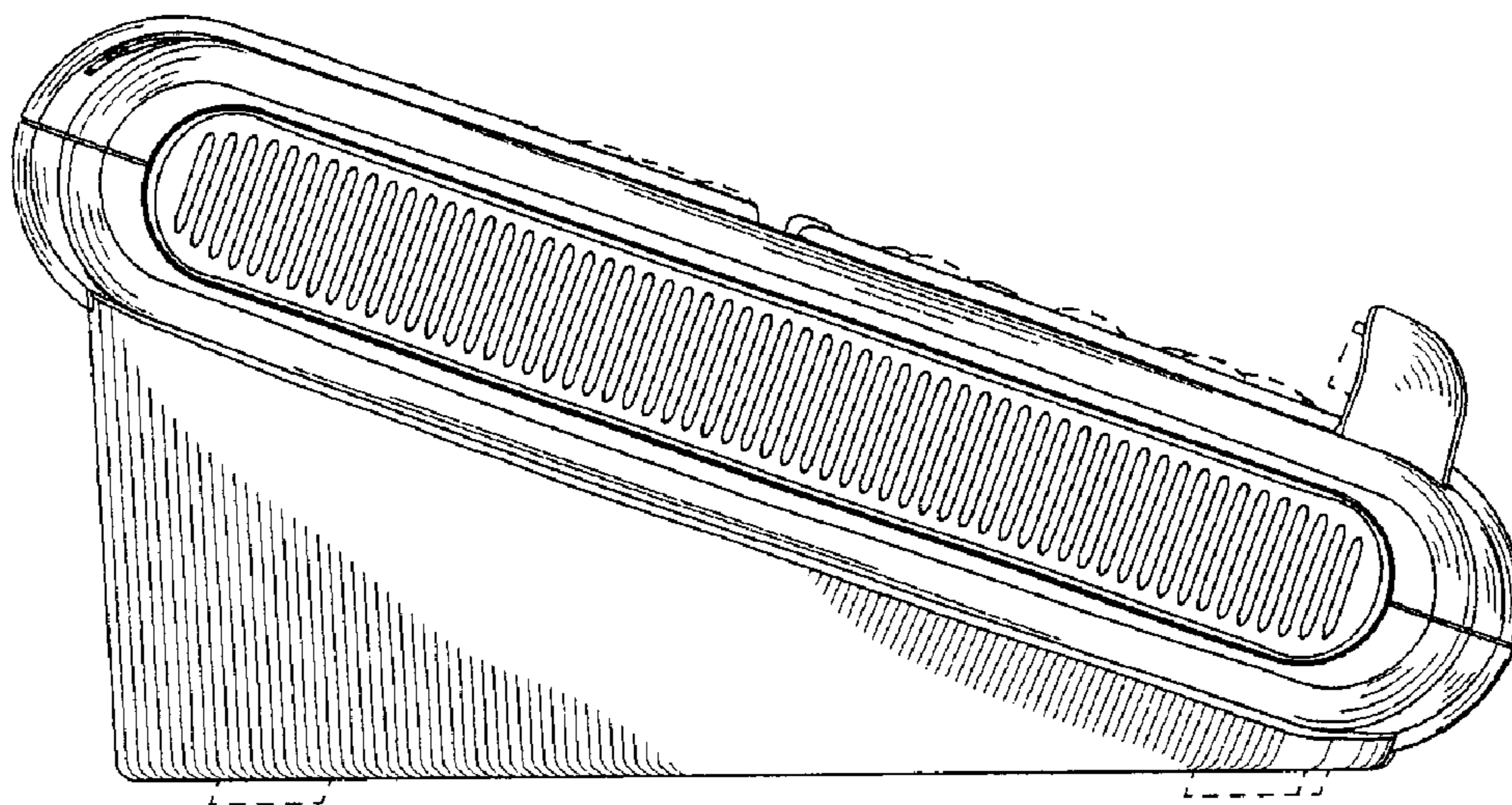
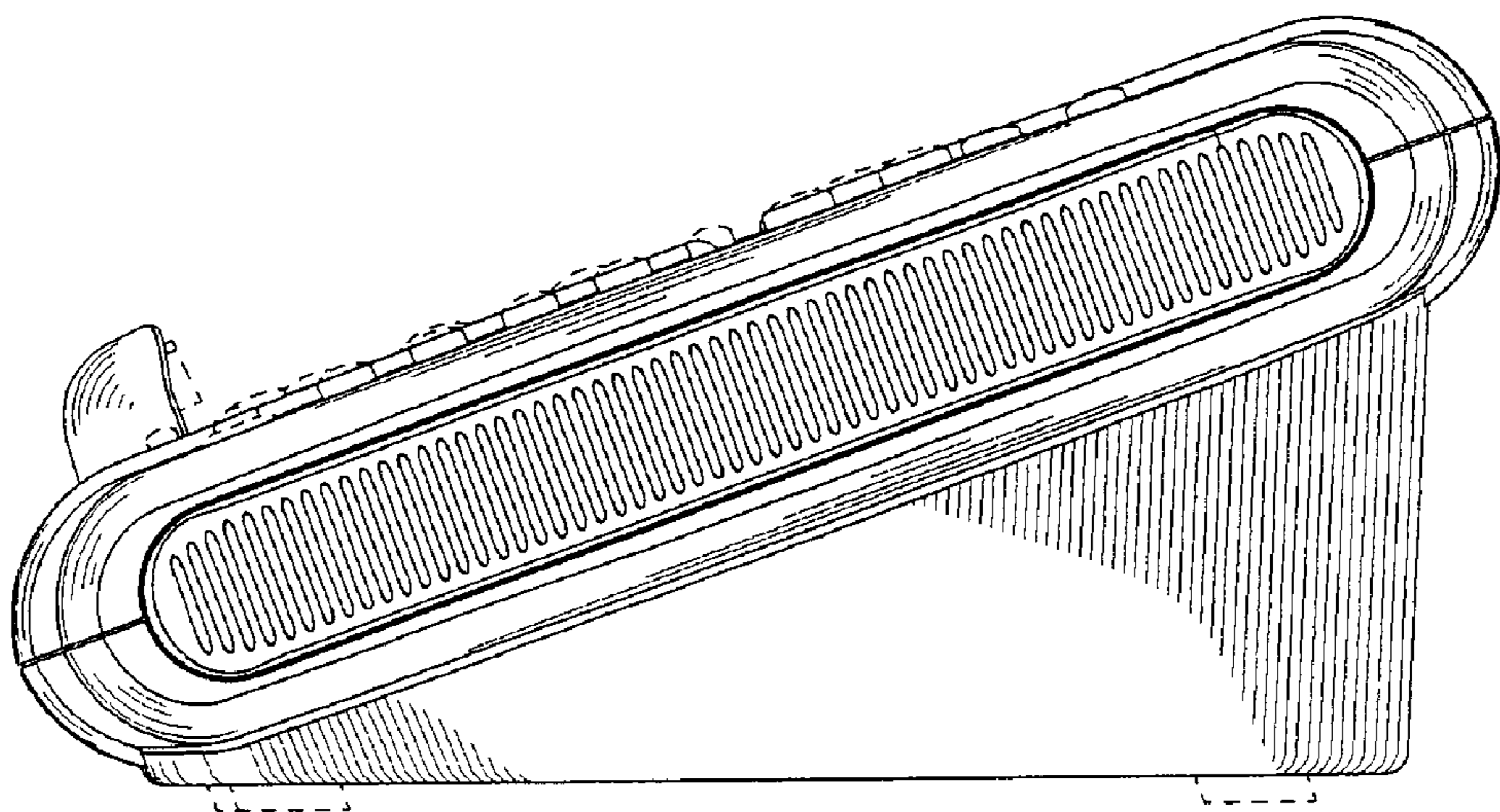


FIG. 5



*FIG. 6*



*FIG. 7*