

US00D535968S

(12) **United States Design Patent**
Lee

(10) **Patent No.:** **US D535,968 S**
(45) **Date of Patent:** **** Jan. 30, 2007**

(54) **MOBILE PHONE**

(75) Inventor: **Young Keun Lee**, Seoul (KR)
(73) Assignee: **Samsung Electronics Co., Ltd.** (KR)
(**) Term: **14 Years**

(21) Appl. No.: **29/259,445**
(22) Filed: **May 9, 2006**

(51) **LOC (8) Cl.** **14-03**
(52) **U.S. Cl.** **D14/138**
(58) **Field of Classification Search** D14/137,
D14/138, 147-148, 247-248, 144, 496, 156,
D14/341-347, 191, 192; 379/433.01-433.13;
455/575.4, 566, 575.1, 556.1, 556.2, 90.3,
455/41.2; D21/329, 331, 333; D16/208
See application file for complete search history.

(56) **References Cited**

U.S. PATENT DOCUMENTS

D282,826 S	*	3/1986	Hoogner	D10/40
D442,496 S	*	5/2001	Haupt	D10/4
D464,963 S	*	10/2002	Nishida	D14/346
D465,219 S	*	11/2002	Tamaki et al.	D14/346
D469,109 S	*	1/2003	Andre et al.	D14/496
D480,697 S	*	10/2003	Lee et al.	D14/138
D489,052 S	*	4/2004	Shiraki et al.	D14/156
D494,188 S	*	8/2004	Huang	D14/496
D508,687 S	*	8/2005	Lee	D14/138
D509,206 S	*	9/2005	Jang	D14/138
D511,342 S	*	11/2005	Chien	D14/346
D516,576 S	*	3/2006	Ive et al.	D14/496
D521,023 S	*	5/2006	Kim et al.	D14/496
D524,783 S	*	7/2006	Lee	D14/138
D525,225 S	*	7/2006	Lee	D14/138
D525,227 S	*	7/2006	Jang	D14/138
D525,959 S	*	8/2006	Kim et al.	D14/138
D525,987 S	*	8/2006	Kim	D14/496
2002/0102946 A1	*	8/2002	SanGiovanni	455/90
2003/0064688 A1	*	4/2003	Mizuta et al.	455/90
2004/0242288 A1	*	12/2004	Balle et al.	455/575.1

(Continued)

OTHER PUBLICATIONS

Pantech PG-3600V telephone, announced Feb. 2006, [online], [retrieved on Aug. 7, 2006]. Retrieved from Internet, URL: <http://www.gsmarena.com>.*
Motorola RIZR telephone, announced Jul. 2006, [online], [retrieved on Aug. 7, 2006]. Retrieved from Internet, URL: <http://www.gsmarena.com>.*
Sony Ericsson W900 telephone, announced Oct. 2005, [online], [retrieved on Jun. 5, 2006]. Retrieved from Internet, URL: <http://www.gsmarena.com>.*
Sony Ericsson S600 telephone, announced Jun. 2005, [online], [retrieved on Apr. 28, 2006]. Retrieved from Internet, URL: <http://www.gsmarena.com>.*
Samsung D520 telephone, announced Feb. 2006, [online], [retrieved on Apr. 28, 2006]. Retrieved from Internet, URL: <http://www.gsmarena.com>.*

* cited by examiner

Primary Examiner—Jeffrey Asch

(74) *Attorney, Agent, or Firm*—Irving Keschner

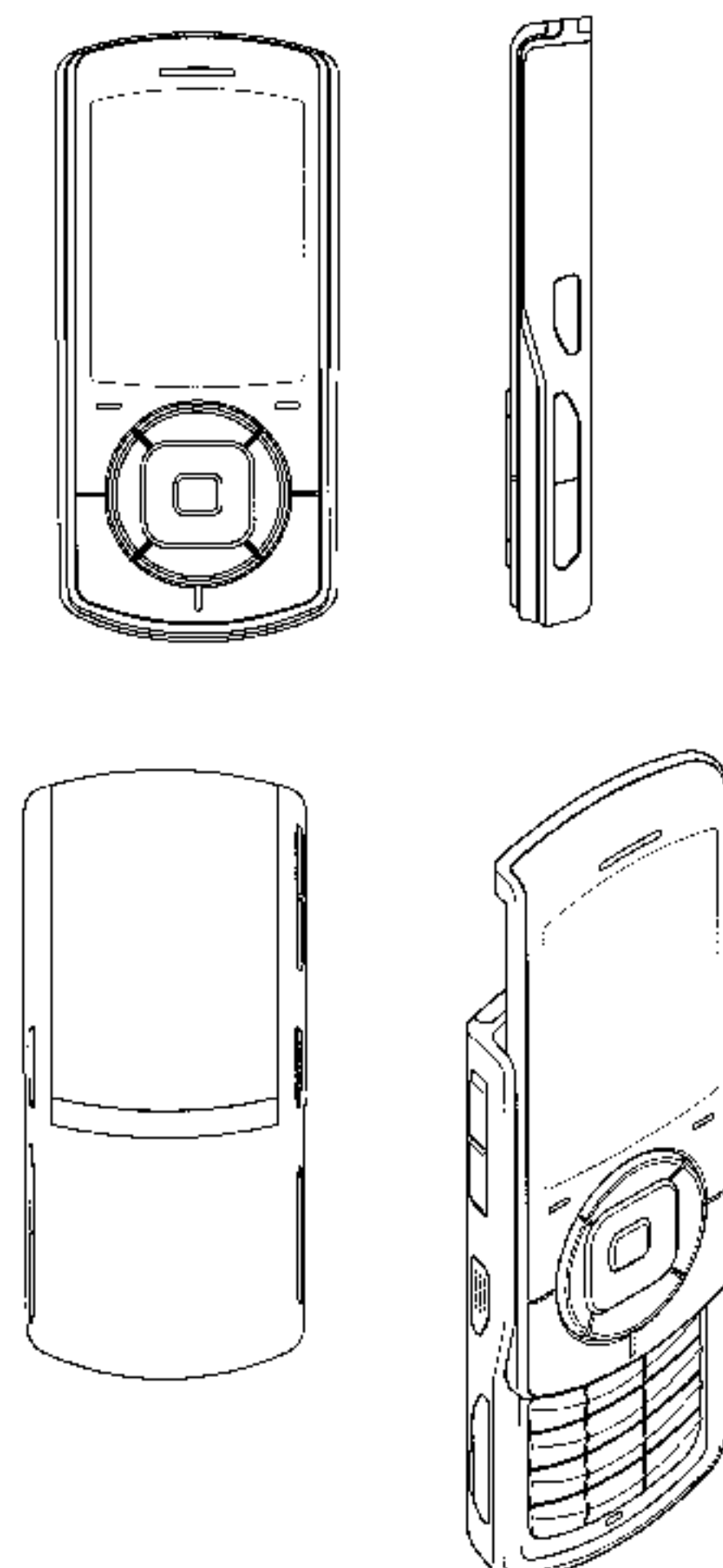
(57) **CLAIM**

The ornamental design for mobile phone, as shown.

DESCRIPTION

FIG. 1 is a perspective view of the ornamental design of the present invention;
FIG. 2 is a front elevational view of the ornamental design of the present invention;
FIG. 3 is a rear elevational view of the ornamental design of the present invention;
FIG. 4 is a left side elevational view of the ornamental design of the present invention;
FIG. 5 is a right side elevational view of the ornamental design of the present invention;
FIG. 6 is a top plan view of the ornamental design of the present invention;
FIG. 7 is a bottom view of the ornamental design of the present invention; and,
FIG. 8 is a perspective view illustrating the mobile phone slide in the up position.

1 Claim, 6 Drawing Sheets



US D535,968 S

Page 2

U.S. PATENT DOCUMENTS

2005/0014538	A1 *	1/2005	Hyun et al.	455/575.4	2006/0019726	A1 *	1/2006	Park et al.	455/575.1
2005/0107126	A1 *	5/2005	Kim	455/565	2006/0025184	A1 *	2/2006	Cho et al.	455/575.4
2005/0124394	A1 *	6/2005	Kim et al.	455/575.3	2006/0121852	A1 *	6/2006	Kim et al.	455/41.2
2005/0202856	A1 *	9/2005	Park et al.	455/575.1	2006/0142073	A1 *	6/2006	Gordecki	455/575.4
2005/0255897	A1 *	11/2005	Lee et al.	455/575.4	2006/0154703	A1 *	7/2006	Kim	455/575.4

* cited by examiner

Fig. 1

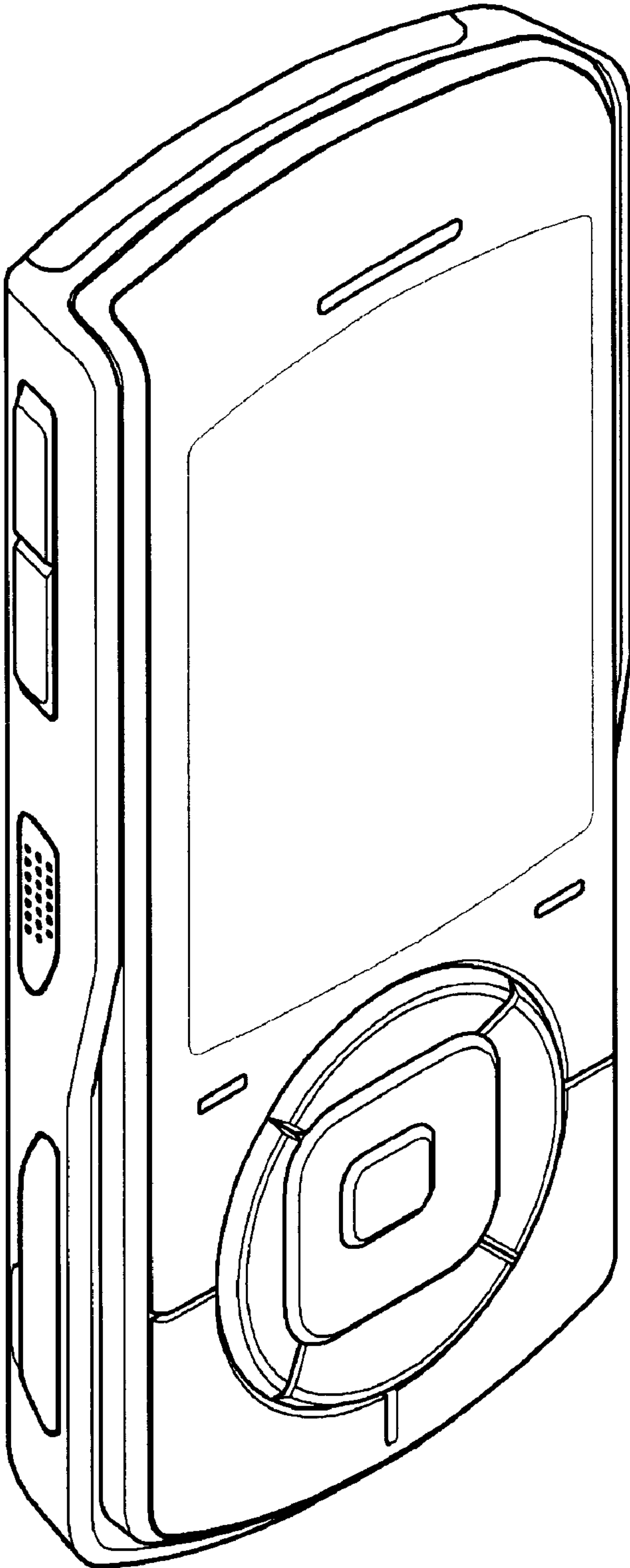


Fig. 2

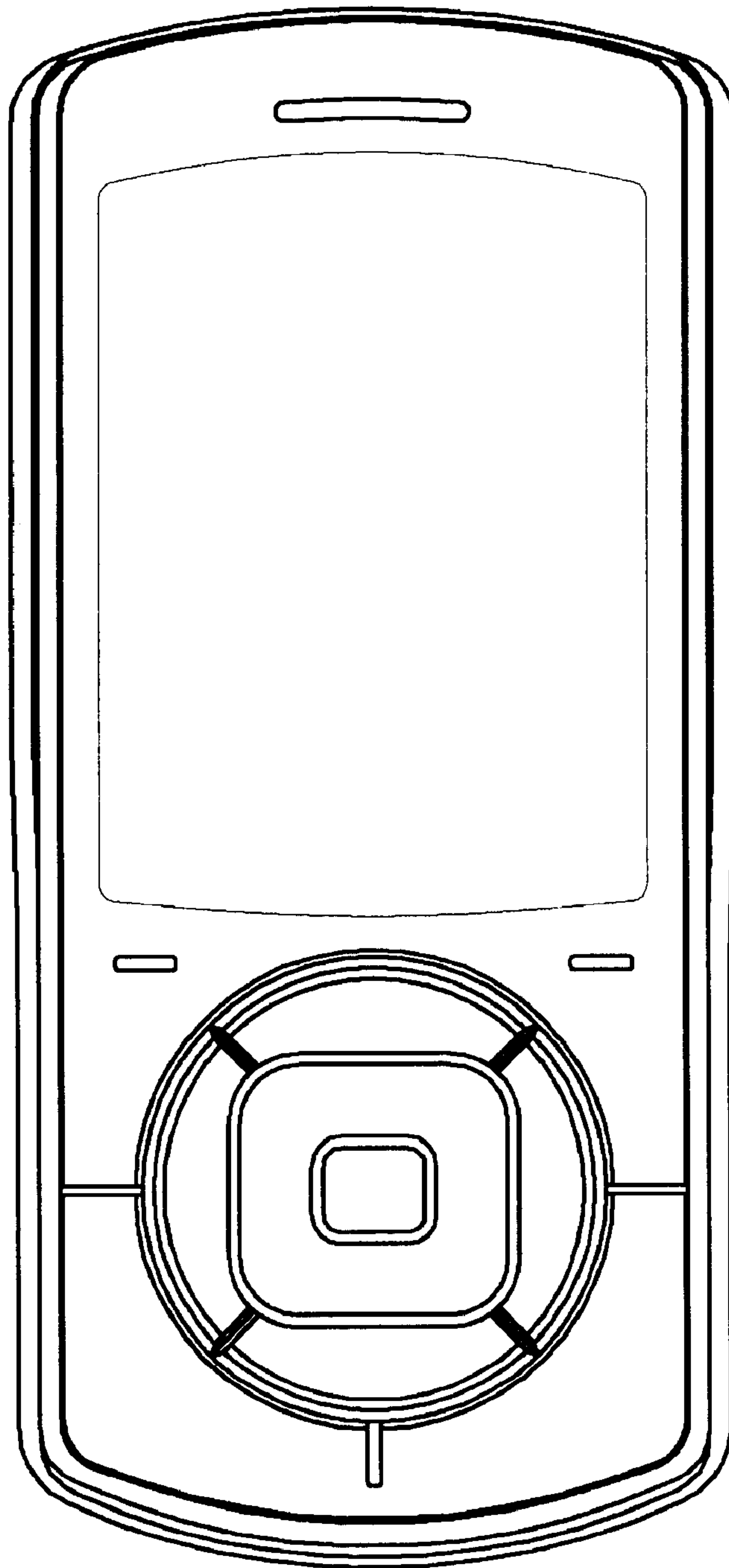


Fig. 3

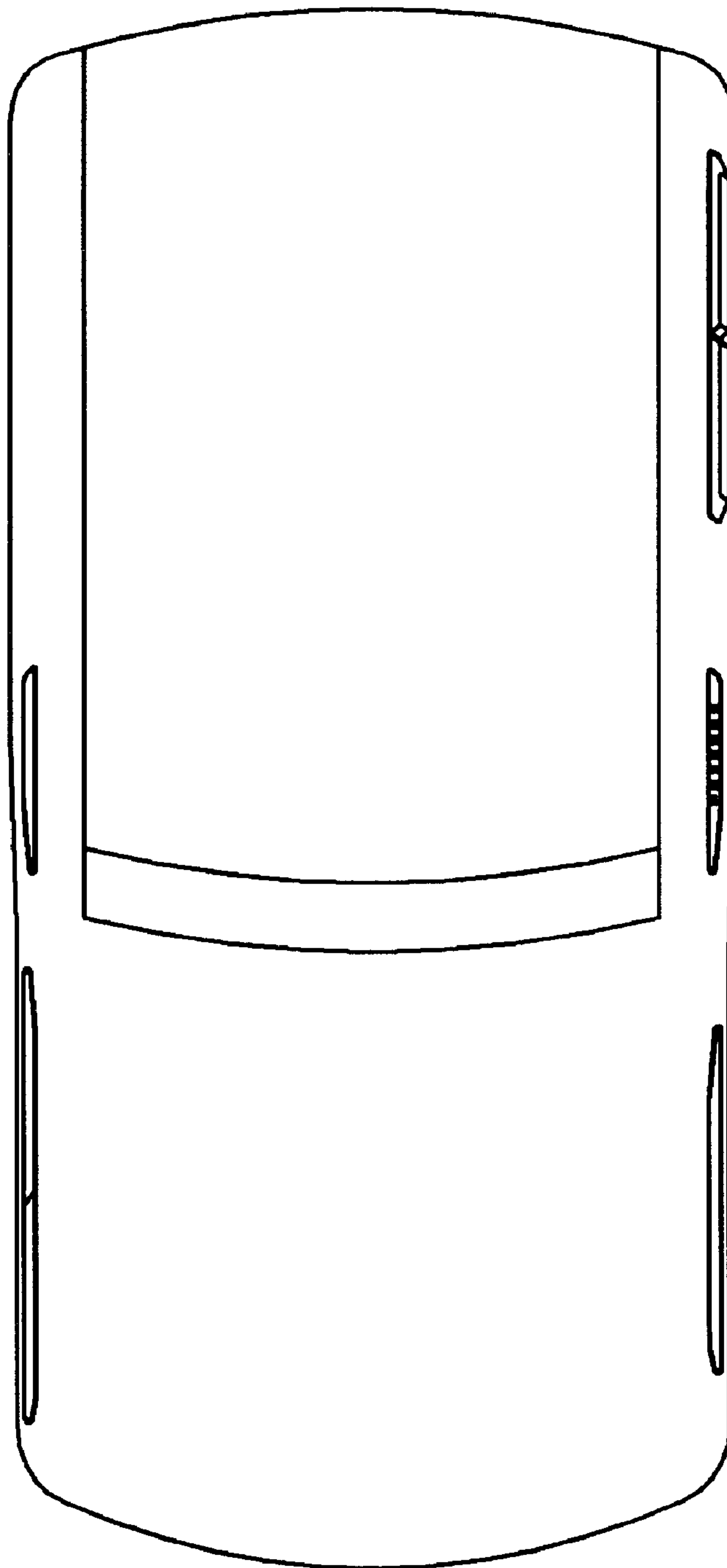


Fig. 4

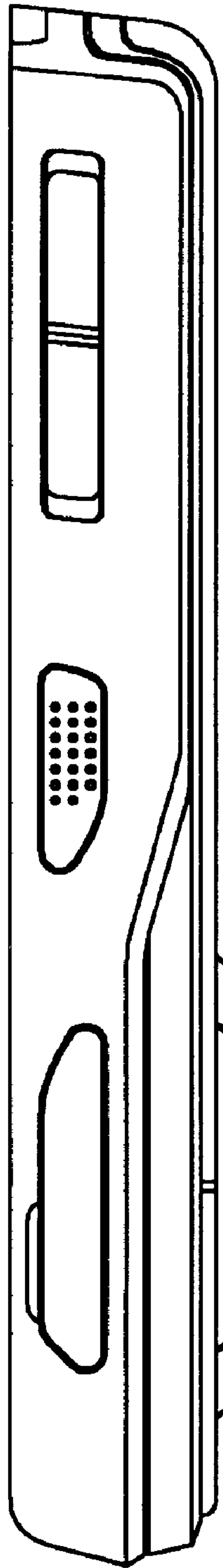


Fig. 5

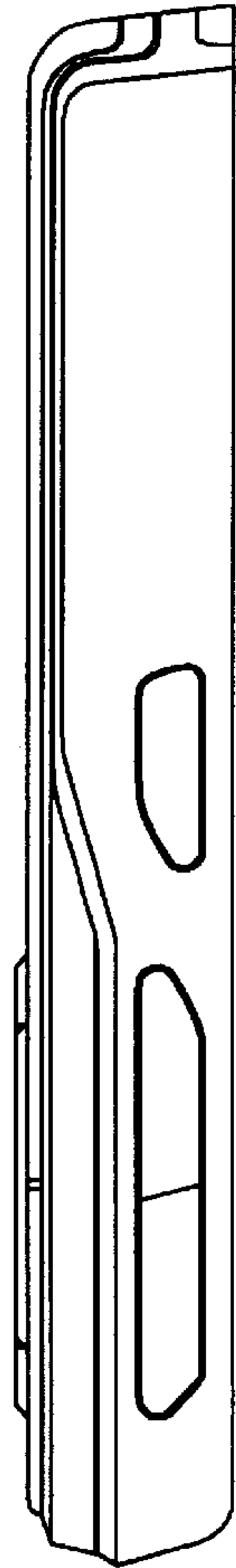


Fig. 6

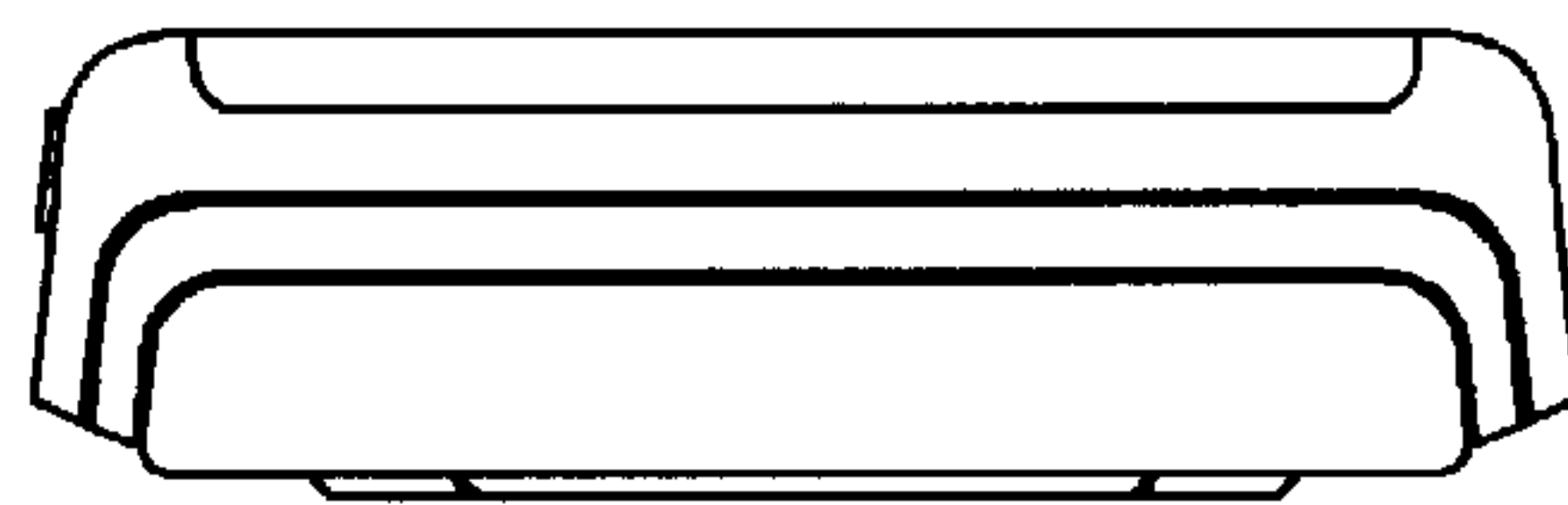


Fig. 7

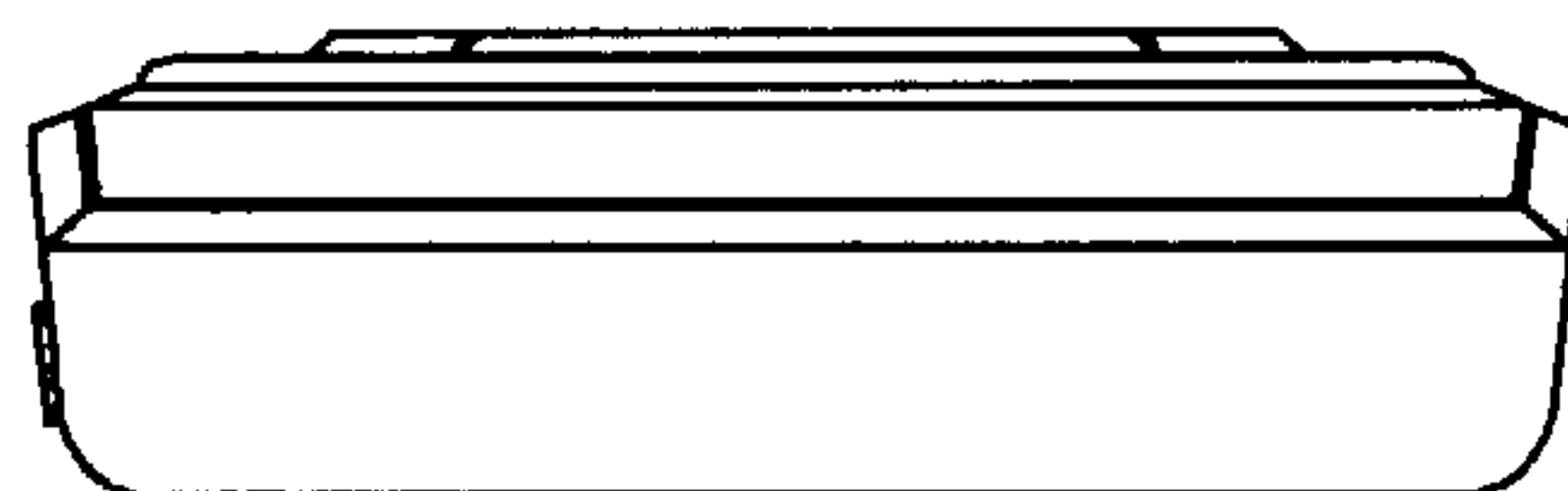


Fig. 8

