



US00D535959S

(12) **United States Design Patent**  
**Cho et al.**

(10) **Patent No.:** **US D535,959 S**  
(45) **Date of Patent:** **\*\* Jan. 30, 2007**

(54) **PORTABLE TELEPHONE**

(75) Inventors: **Yoon-Young Cho**, Seoul (KR);  
**Chang-Hwan Hwang**, Gyeonggi-Do (KR)

(73) Assignee: **Samsung Electronics Co., Ltd.**,  
Suwon-Si (KR)

(\*\*) **Term:** **14 Years**

(21) **Appl. No.:** **29/228,976**

(22) **Filed:** **May 2, 2005**

(30) **Foreign Application Priority Data**

Nov. 4, 2004 (KR) ..... 30-2004-0033756

(51) **LOC (8) Cl.** ..... **14-03**

(52) **U.S. Cl.** ..... **D14/138**

(58) **Field of Classification Search** ..... D14/191,  
D14/138, 147-148, 247-248, 144, 496, 156,  
D14/341-347; 379/433.01-433.13; 455/575.3,  
455/566, 575.1, 556.1, 556.2, 90.3; D21/517;  
D16/208

See application file for complete search history.

(56) **References Cited**

**U.S. PATENT DOCUMENTS**

D408,030 S	*	4/1999	Richards et al.	.....	D14/138
D455,135 S	*	4/2002	Hyun	.....	D14/138
D483,341 S	*	12/2003	Rausch et al.	.....	D14/138
D484,862 S	*	1/2004	Yang	.....	D14/138
D486,809 S	*	2/2004	Hwang	.....	D14/138
D487,443 S	*	3/2004	Yoon	.....	D14/138
D495,672 S	*	9/2004	Jeon et al.	.....	D14/138
D501,189 S	*	1/2005	Lodato et al.	.....	D14/138
D501,838 S	*	2/2005	Kim et al.	.....	D14/138
D505,126 S	*	5/2005	Ahn et al.	.....	D14/138
D508,030 S	*	8/2005	Jeoung et al.	.....	D14/138
D508,685 S	*	8/2005	Kim et al.	.....	D14/138
D508,687 S	*	8/2005	Lee	.....	D14/138

D509,815 S	*	9/2005	Jang	.....	D14/138
D510,922 S	*	10/2005	Kim et al.	.....	D14/138
D511,335 S	*	11/2005	Jeoung et al.	.....	D14/138
D511,509 S	*	11/2005	Kim et al.	.....	D14/138
D512,395 S	*	12/2005	Kim et al.	.....	D14/138
D513,505 S	*	1/2006	Lee	.....	D14/138
D517,517 S	*	3/2006	Li et al.	.....	D14/138
D518,807 S	*	4/2006	Choi et al.	.....	D14/138
D518,810 S	*	4/2006	Lee et al.	.....	D14/138
D520,485 S	*	5/2006	Cho	.....	D14/138
D520,978 S	*	5/2006	Lee	.....	D14/138
D522,991 S	*	6/2006	Yun et al.	.....	D14/138
2004/0097258 A1	*	5/2004	Lee et al.	.....	455/550.1
2005/0107126 A1	*	5/2005	Kim	.....	455/565
2005/0124394 A1	*	6/2005	Kim et al.	.....	455/575.3
2006/0019726 A1	*	1/2006	Park et al.	.....	455/575.1

**OTHER PUBLICATIONS**

Samsung X900 telephone, announced 1<sup>st</sup> quarter 2004, [online], [retrieved on Aug. 27, 2006]. Retrieved from Internet ,<URL: <http://www.gsmarena.com>>.\*

(Continued)

*Primary Examiner*—Jeffrey Asch

(74) *Attorney, Agent, or Firm*—Leydig, Voit & Mayer, Ltd.

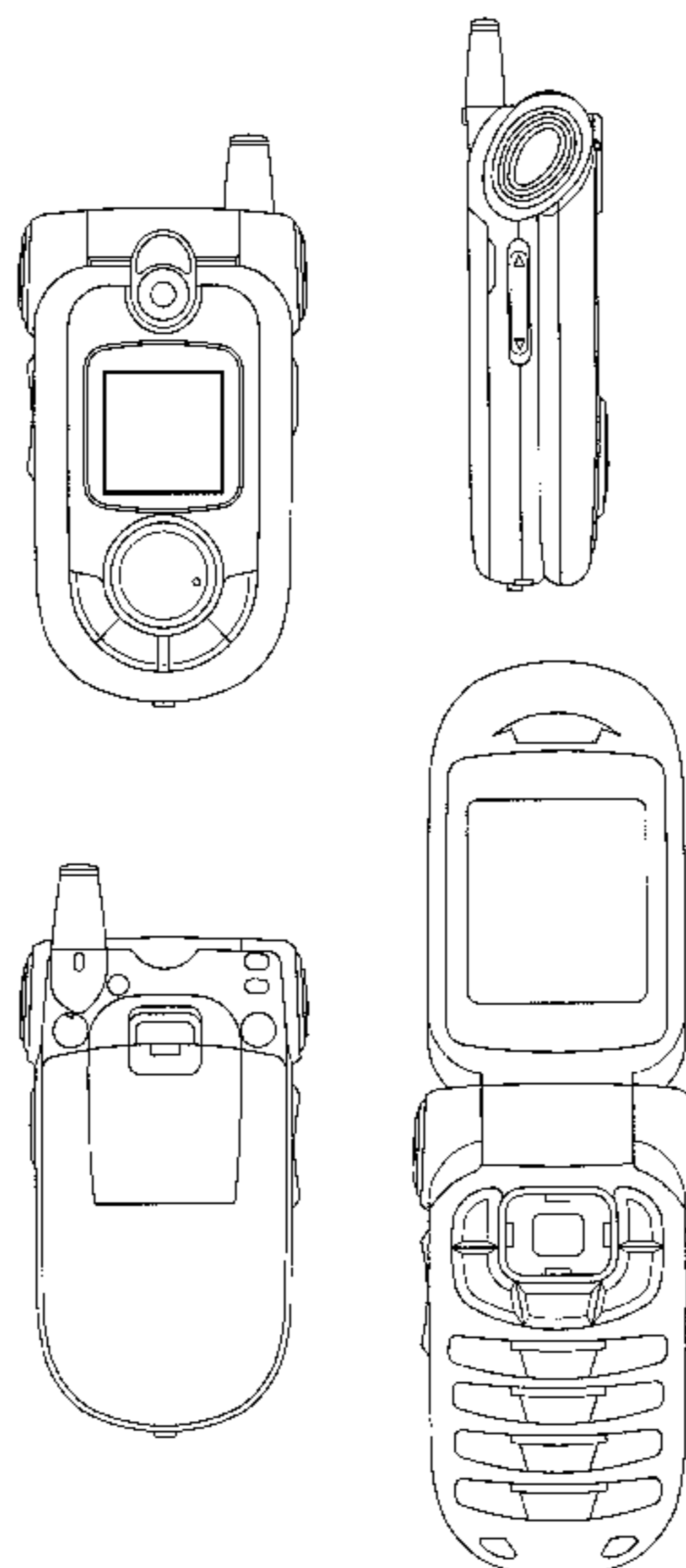
(57) **CLAIM**

We claim the ornamental design for a portable telephone, as shown and described.

**DESCRIPTION**

FIG. 1 is a perspective view of a portable telephone, when closed, according to our new design;  
FIG. 2 is a front view thereof, when closed;  
FIG. 3 is a rear view thereof, when closed;  
FIG. 4 is a left side view thereof, when closed;  
FIG. 5 is a right side view thereof, when closed;  
FIG. 6 is a top view thereof, when closed;  
FIG. 7 is a bottom view thereof, when closed; and,  
FIG. 8 is a front view thereof, when open.

**1 Claim, 5 Drawing Sheets**



OTHER PUBLICATIONS

Philips S880 telephone, announced Jun. 2006, [online], [retrieved on Aug. 21, 2006]. Retrieved from Internet , <URL: <http://www.gsmarena.com>>.\*

Pantech GF100 telephone, announced 1st quarter 2005, [online], [retrieved on Aug. 27, 2006]. Retrieved from Internet , <URL: <http://www.gsmarena.com>>.\*

Sagem MY C-5w telephone, announced 3rd quarter 2003, [online], [retrieved on Aug. 27, 2006]. Retrieved from Internet , <URL: <http://www.gsmarena.com>>.\*

Sagem MY C-4 telephone, announced 3rd quarter 2004, [online], [retrieved on Aug. 27, 2006]. Retrieved from Internet , <URL: <http://www.gsmarena.com>>.\*

\* cited by examiner

FIG. 1

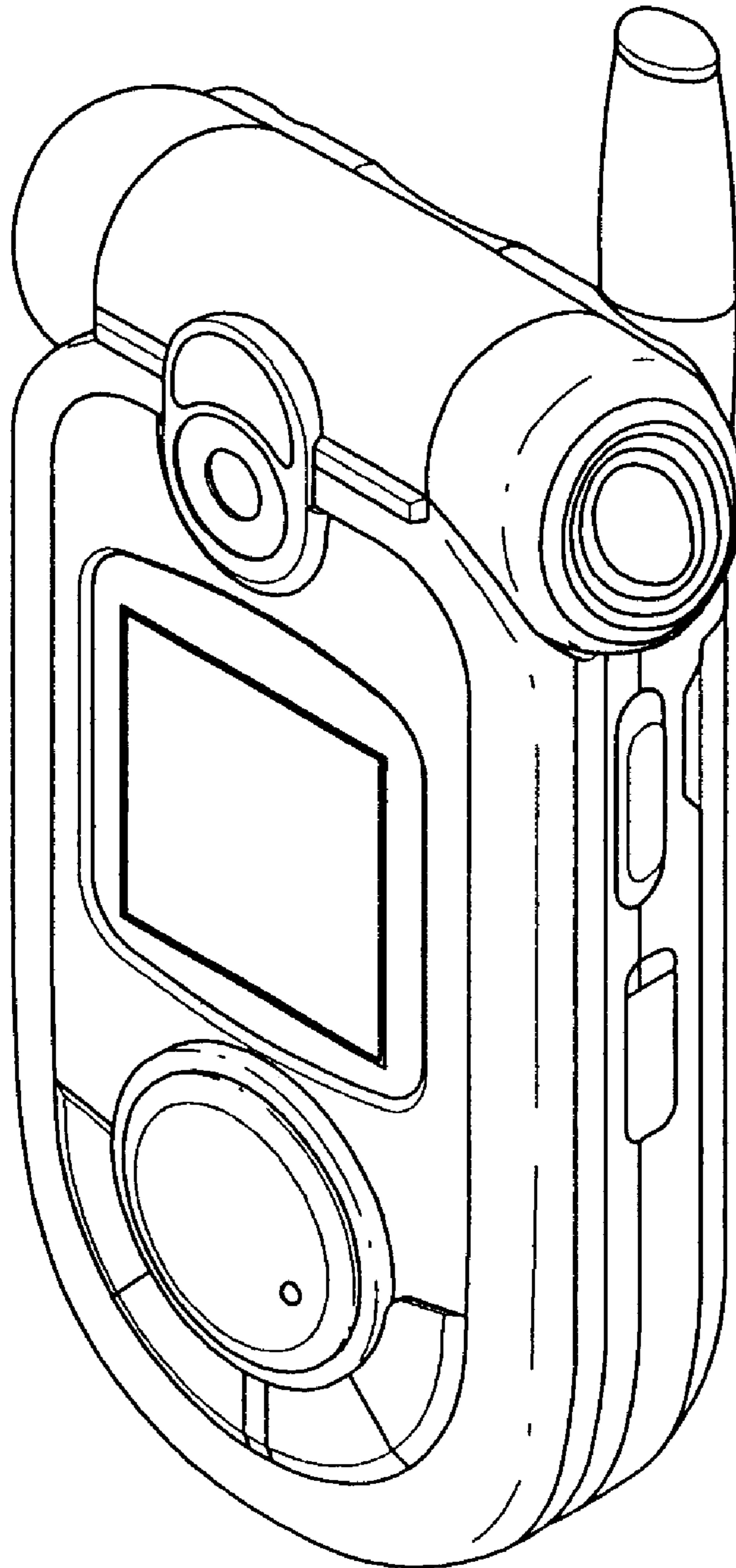


FIG. 2

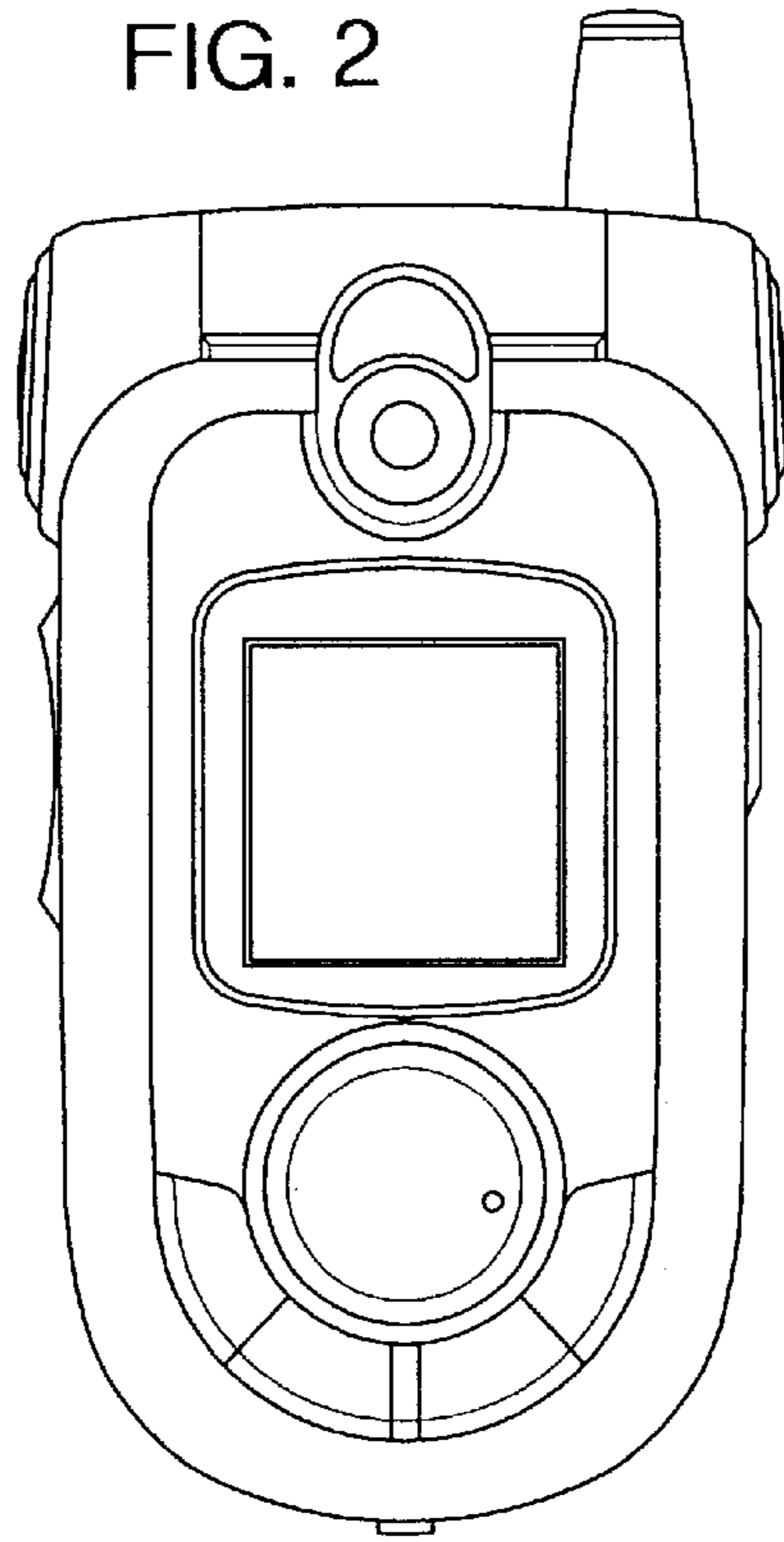
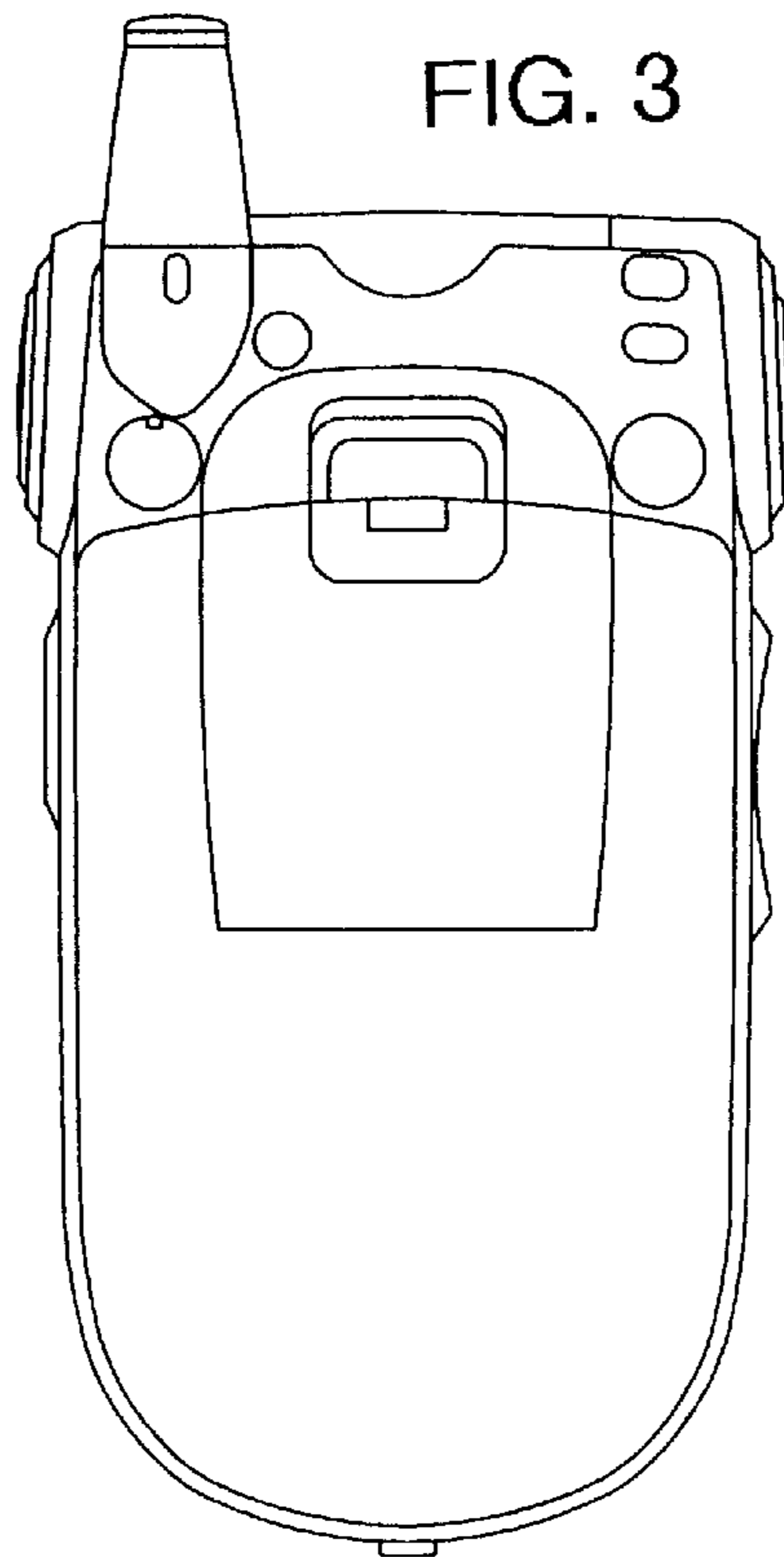


FIG. 3



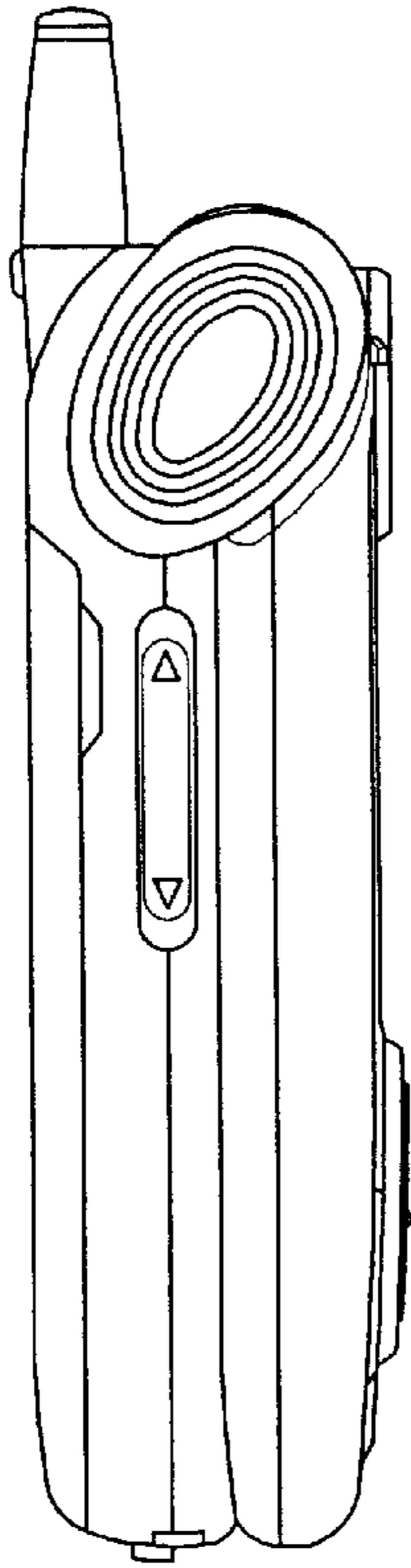


FIG. 4

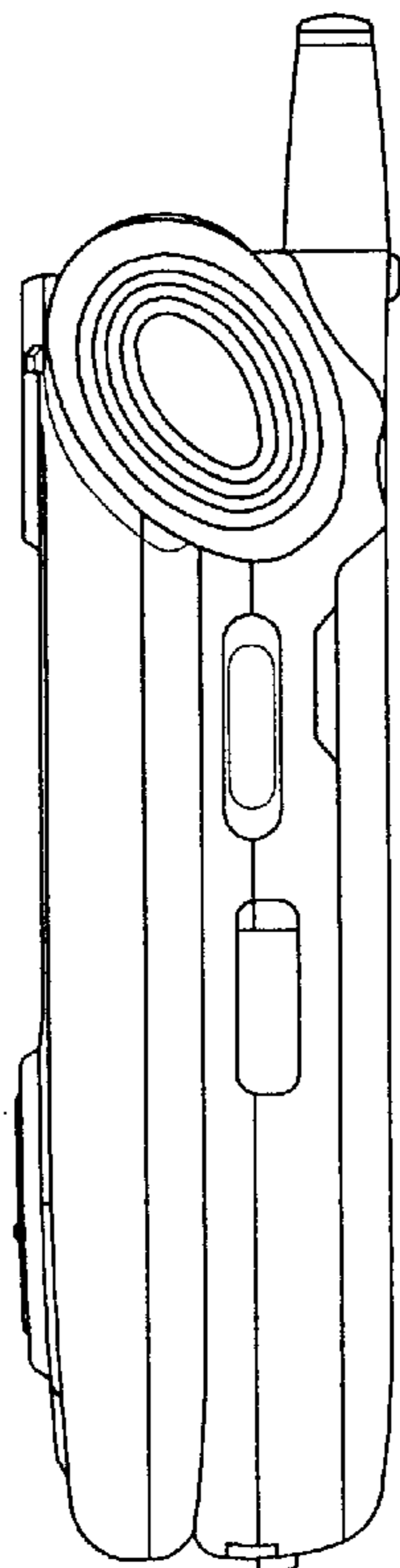


FIG. 5

FIG. 6

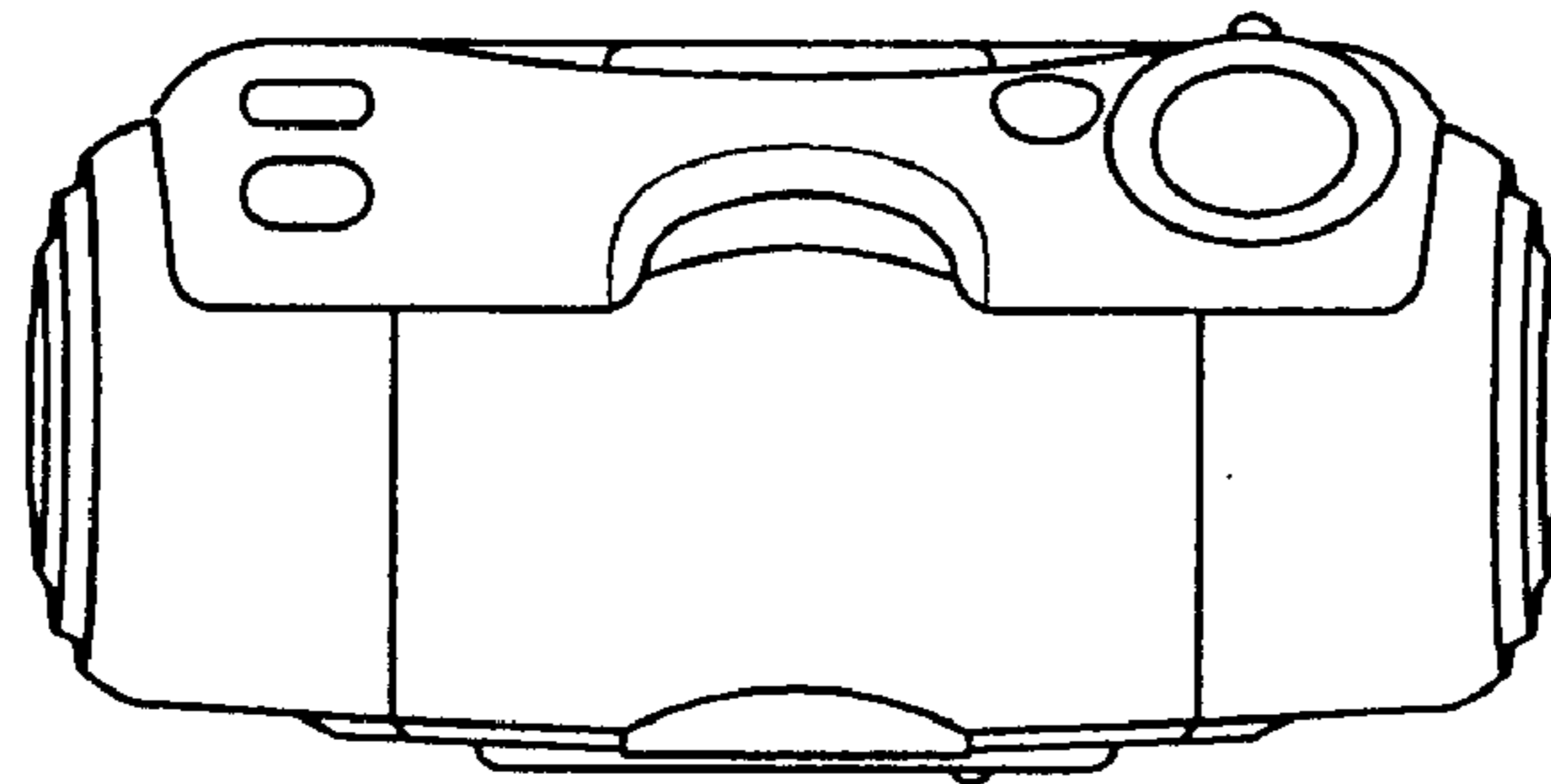


FIG. 7

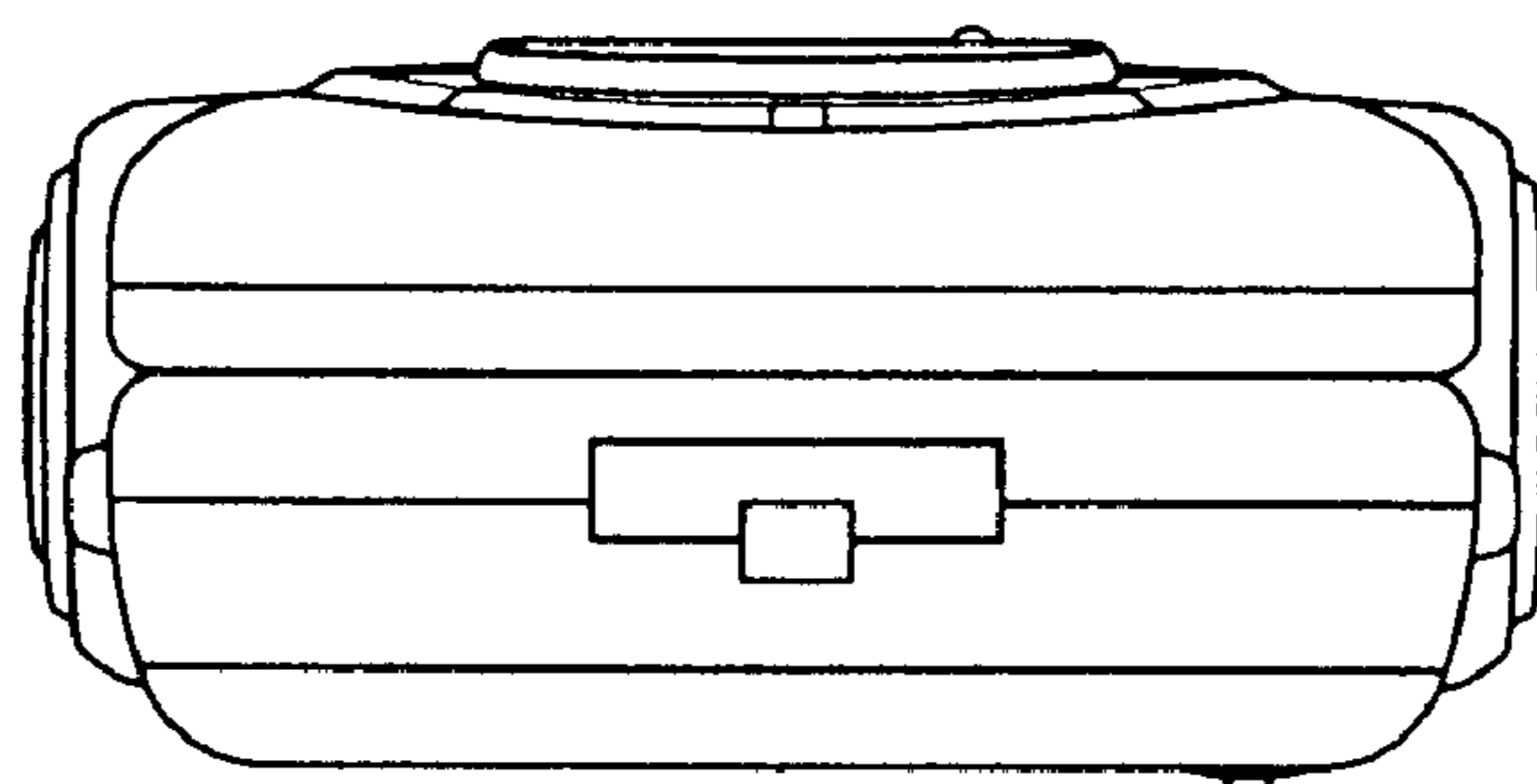


FIG. 8

