



US00D535957S

(12) **United States Design Patent**  
**Vitito**

(10) **Patent No.:** **US D535,957 S**  
(45) **Date of Patent:** **\*\* Jan. 30, 2007**

(54) **ARMREST/CONSOLE ENTERTAINMENT SYSTEM**  
(76) Inventor: **Christopher J. Vitito**, 514 Longmeadow St., Celebration, FL (US) 34747

(\*\*) Term: **14 Years**

(21) Appl. No.: **29/232,186**

(22) Filed: **Jun. 16, 2005**

(51) **LOC (8) Cl.** ..... **14-03**

(52) **U.S. Cl.** ..... **D14/132; D12/421**

(58) **Field of Classification Search** ..... D14/125, D14/129, 132, 136, 156, 374, 375; 348/180, 348/184, 325, 838; 341/12; 345/104, 133, 345/156, 168, 173, 87; 720/605, 669, 600, 720/655; 369/99, 197; 455/344, 345, 346, 455/347, 566; 368/12; D12/421, 415  
See application file for complete search history.

(56) **References Cited**

**U.S. PATENT DOCUMENTS**

D446,507 S	*	8/2001	Rosen et al.	.....	D14/132
6,409,242 B1	*	6/2002	Chang	.....	296/37.7
D467,562 S	*	12/2002	Chang	.....	D14/132
6,494,527 B1		12/2002	Bischoff		
6,663,155 B1		12/2003	Malone et al.		
6,719,343 B2		4/2004	Emerling et al.		

6,746,065 B1		6/2004	Chan		
D496,013 S	*	9/2004	Tanaka	.....	D14/132
D502,690 S	*	3/2005	Uehara et al.	.....	D14/129
D508,900 S	*	8/2005	Kawano et al.	.....	D14/132
D510,329 S	*	10/2005	Vitito	.....	D14/132
2004/0189797 A1		9/2004	Todd et al.		

\* cited by examiner

*Primary Examiner*—Philip S. Hyder

(74) *Attorney, Agent, or Firm*—Welsh & Flaxman LLC

(57) **CLAIM**

The ornamental design for an armrest/console entertainment system, as shown and described.

**DESCRIPTION**

FIG. 1 is a front perspective view of an armrest/console entertainment system with the video monitor in a closed storage position showing my new design.

FIG. 2 is a rear perspective view thereof with the video monitor in a closed storage position.

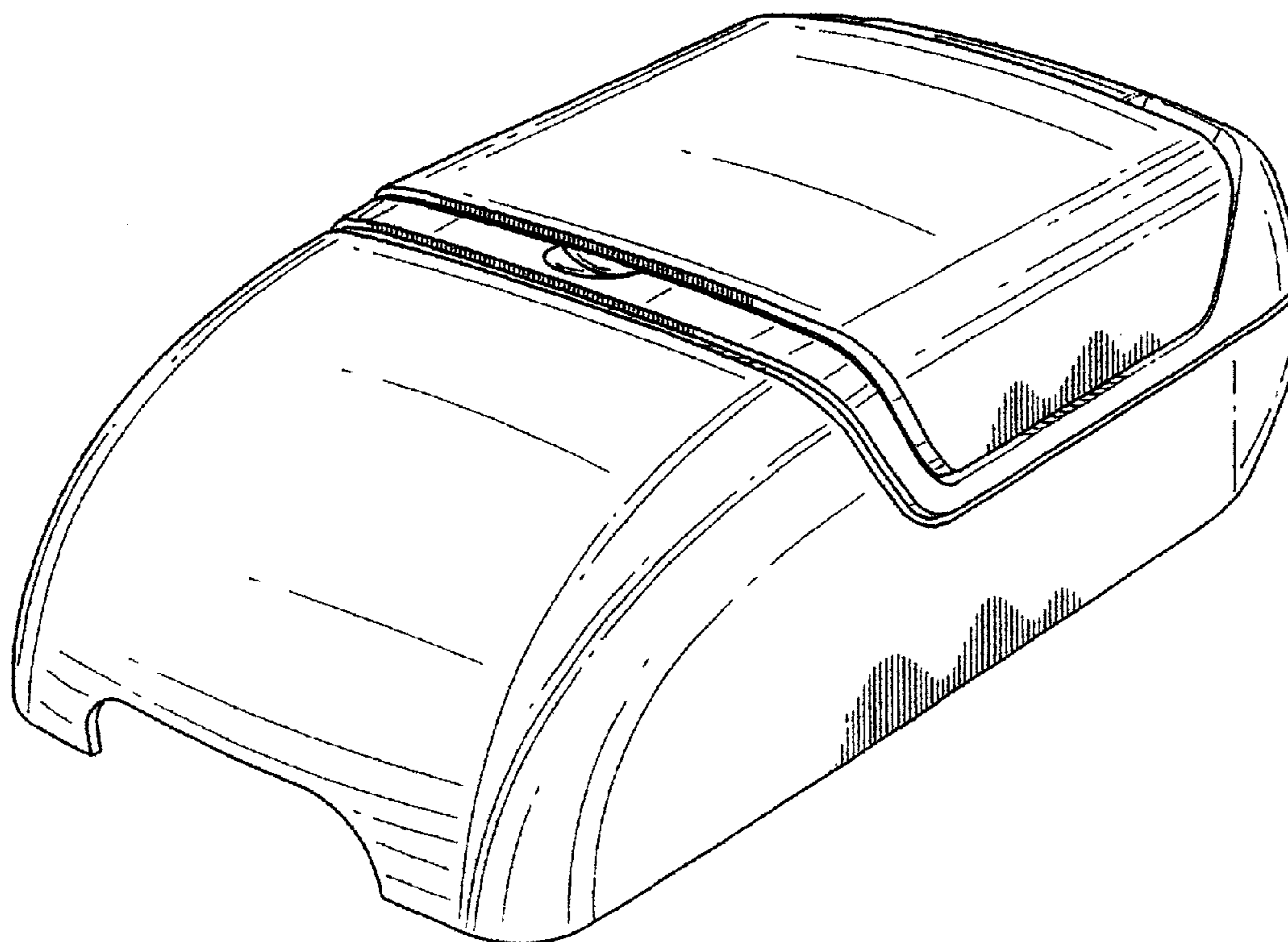
FIG. 3 is a rear perspective view thereof with the video monitor in an open and rotated use position.

FIG. 4 is a front perspective view thereof with the video monitor in an open and rotated use position; and,

FIG. 5 is a front perspective view thereof with the video monitor in an open and slightly rotated use position.

The broken line portions of the disclosure are for illustrative purposes only and form no part of the claimed design.

**1 Claim, 5 Drawing Sheets**



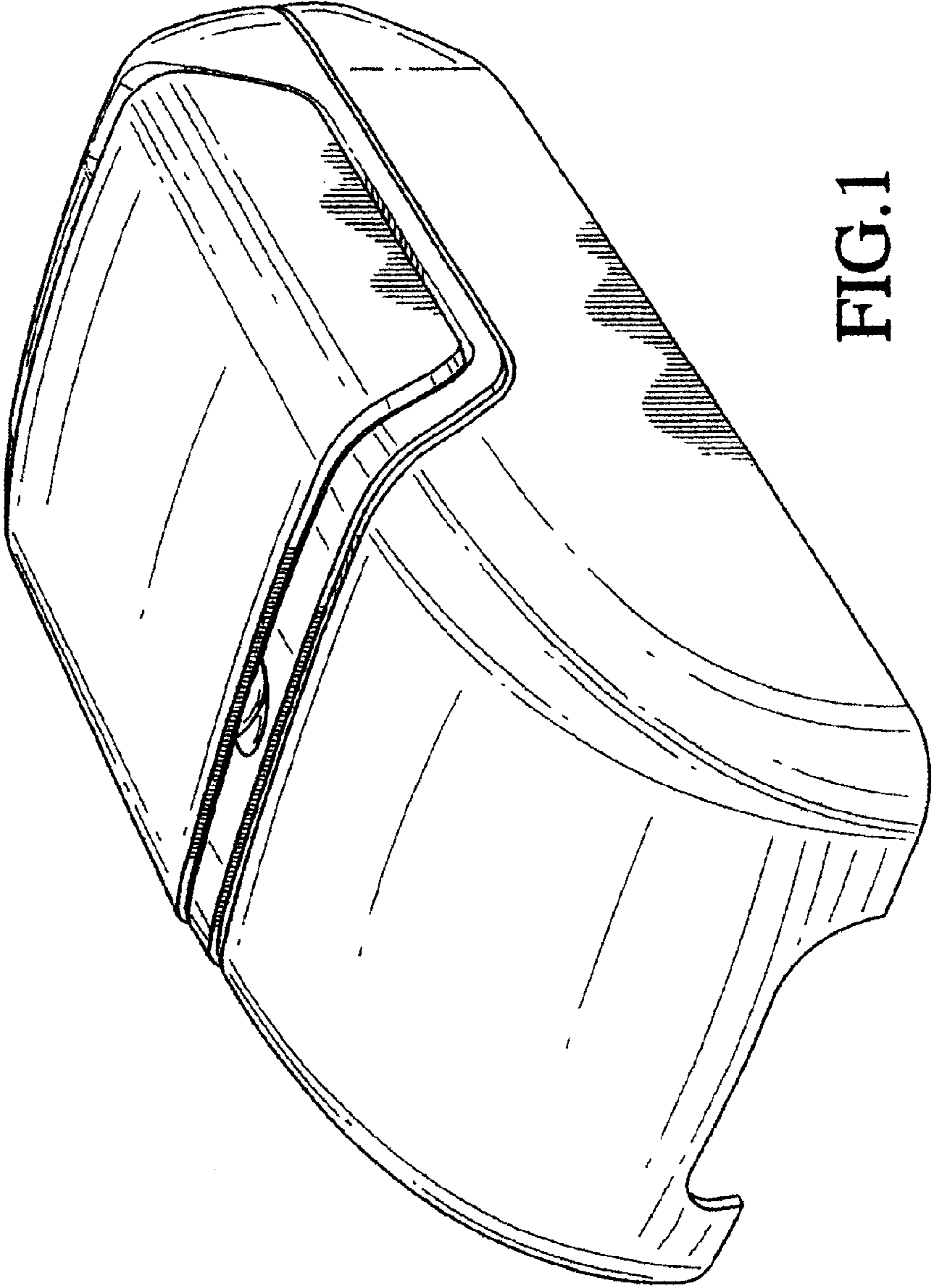


FIG. 1

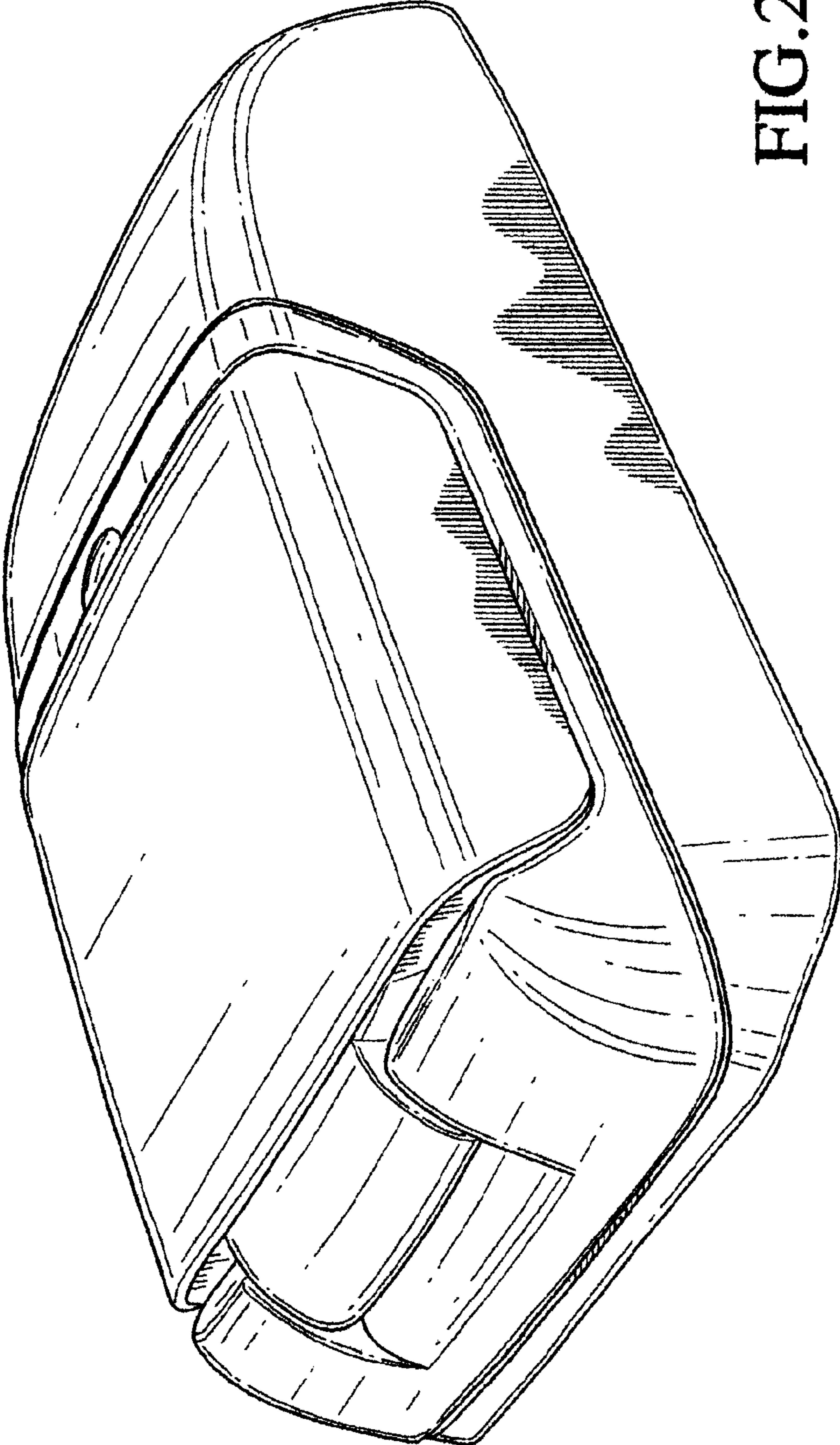


FIG.2



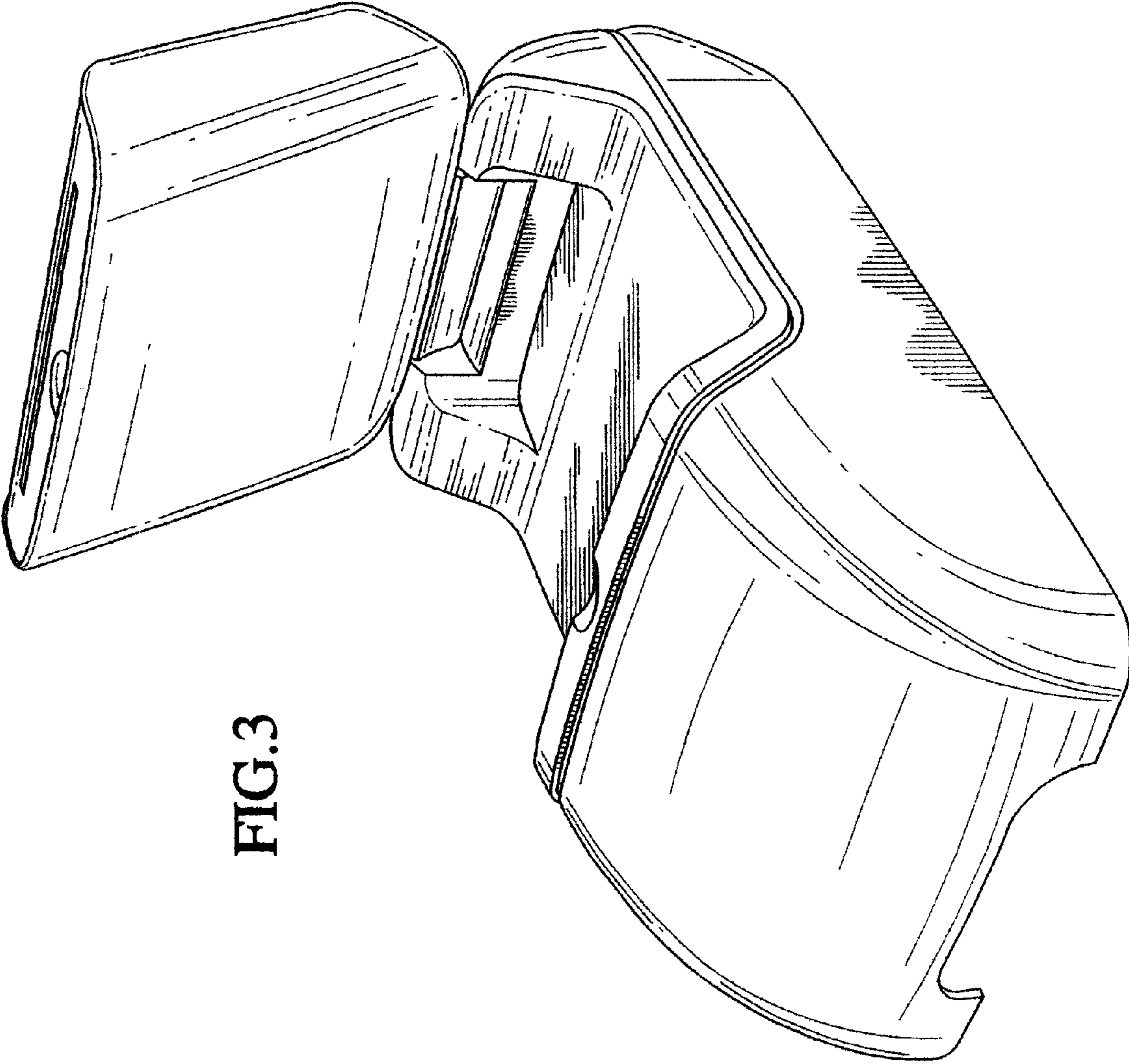


FIG.3

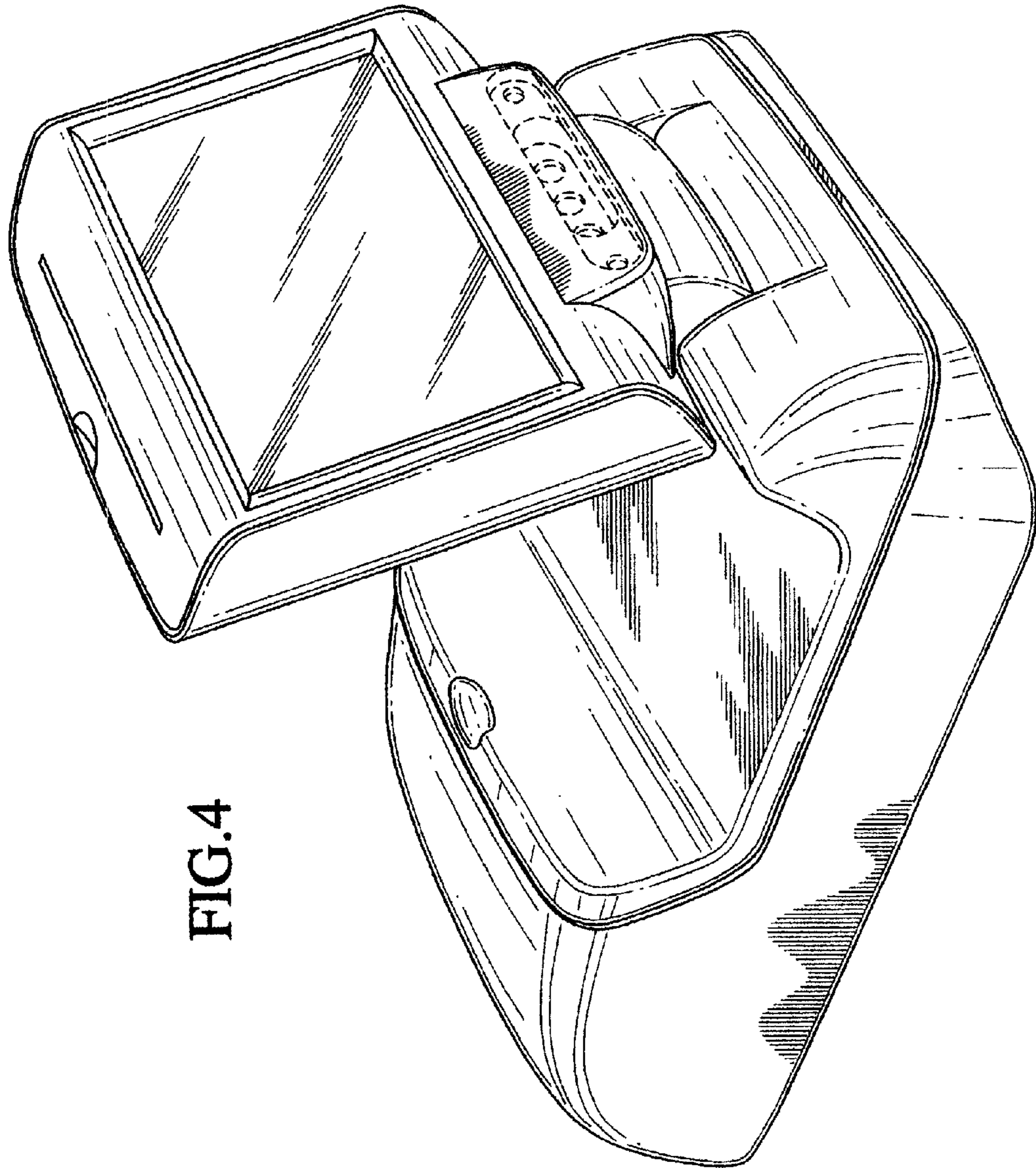


FIG.4

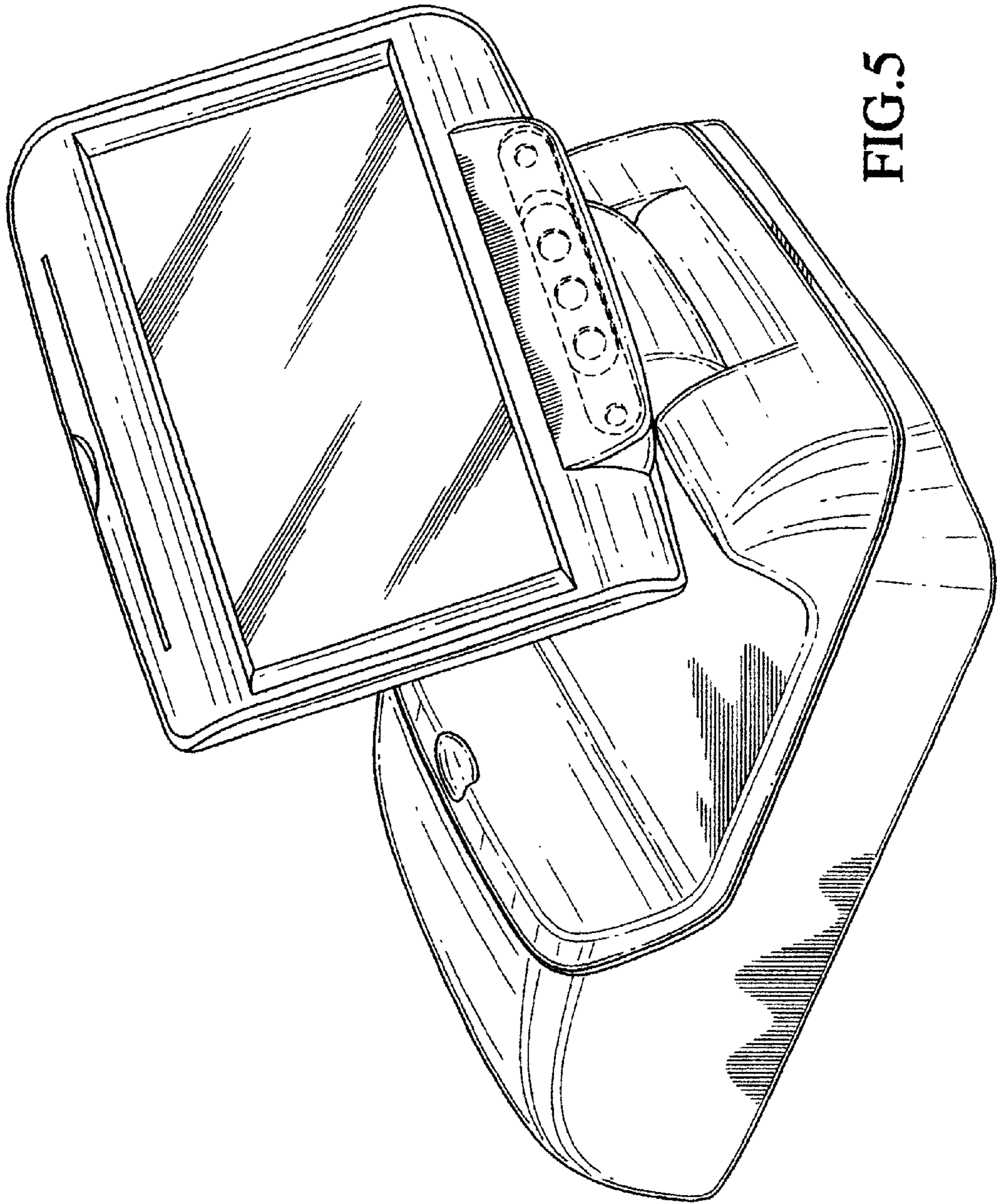


FIG.5