



US00D535953S

(12) **United States Design Patent**
Fujii

(10) **Patent No.:** **US D535,953 S**
(45) **Date of Patent:** **** Jan. 30, 2007**

(54) **MONITOR/TELEVISION RECEIVER**

(75) Inventor: **Hiroya Fujii**, Tokyo (JP)

(73) Assignee: **Sony Corporation**, Tokyo (JP)

(**) Term: **14 Years**

(21) Appl. No.: **29/218,635**

(22) Filed: **Dec. 7, 2004**

(51) **LOC (8) Cl.** **14-03**

(52) **U.S. Cl.** **D14/126**

(58) **Field of Classification Search** D14/125-135,
D14/239, 379, 371, 374, 375, 376, 113; D13/151,
D13/153; 312/7.2; 348/836, 838, 180, 184,
348/325, 739; 341/12; 248/917-924; 345/104,
345/133, 156, 168, 87, 173; 349/1, 2, 11,
349/62

See application file for complete search history.

(56) **References Cited**

U.S. PATENT DOCUMENTS

D388,077 S	12/1997	Starck	
D410,447 S	* 6/1999	Chang D14/375
D416,549 S	* 11/1999	Coster et al. D14/375
D422,979 S	* 4/2000	Lee D14/375
D429,227 S	* 8/2000	Shimizu D14/126
D452,488 S	* 12/2001	Ogasawara D14/136
D467,920 S	* 12/2002	Chen et al. D14/375
D487,433 S	* 3/2004	Kanatani D14/126
D498,216 S	* 11/2004	Takami et al. D14/126

FOREIGN PATENT DOCUMENTS

JP D1184817 S 9/2003

OTHER PUBLICATIONS

Web page "Thomson Europe, 15LCDM03B" <http://www.thomson.fr/Frame/1,7595,,00.html?languageID=25&countryID=250>, 2 sheets, Thomson Brand (Sep. 2004).

* cited by examiner

Primary Examiner—Raphael Barkai

Assistant Examiner—Randall H. Gholson

(74) *Attorney, Agent, or Firm*—Rader, Fishman & Grauer PLLC

(57) **CLAIM**

The ornamental design for a monitor/television receiver, as shown and described.

DESCRIPTION

FIG. 1 is a perspective view of a monitor/television receiver showing my new design;

FIG. 2 is a front elevational view thereof;

FIG. 3 is a rear elevational view thereof;

FIG. 4 is a left side elevational view thereof;

FIG. 5 is a right side elevational view thereof;

FIG. 6 is a top plan view thereof; and,

FIG. 7 is a bottom plan view thereof.

Portions of FIGS. 1-7 that are shown as broken lines are for illustrative purpose only and form no part of the claimed design.

1 Claim, 4 Drawing Sheets

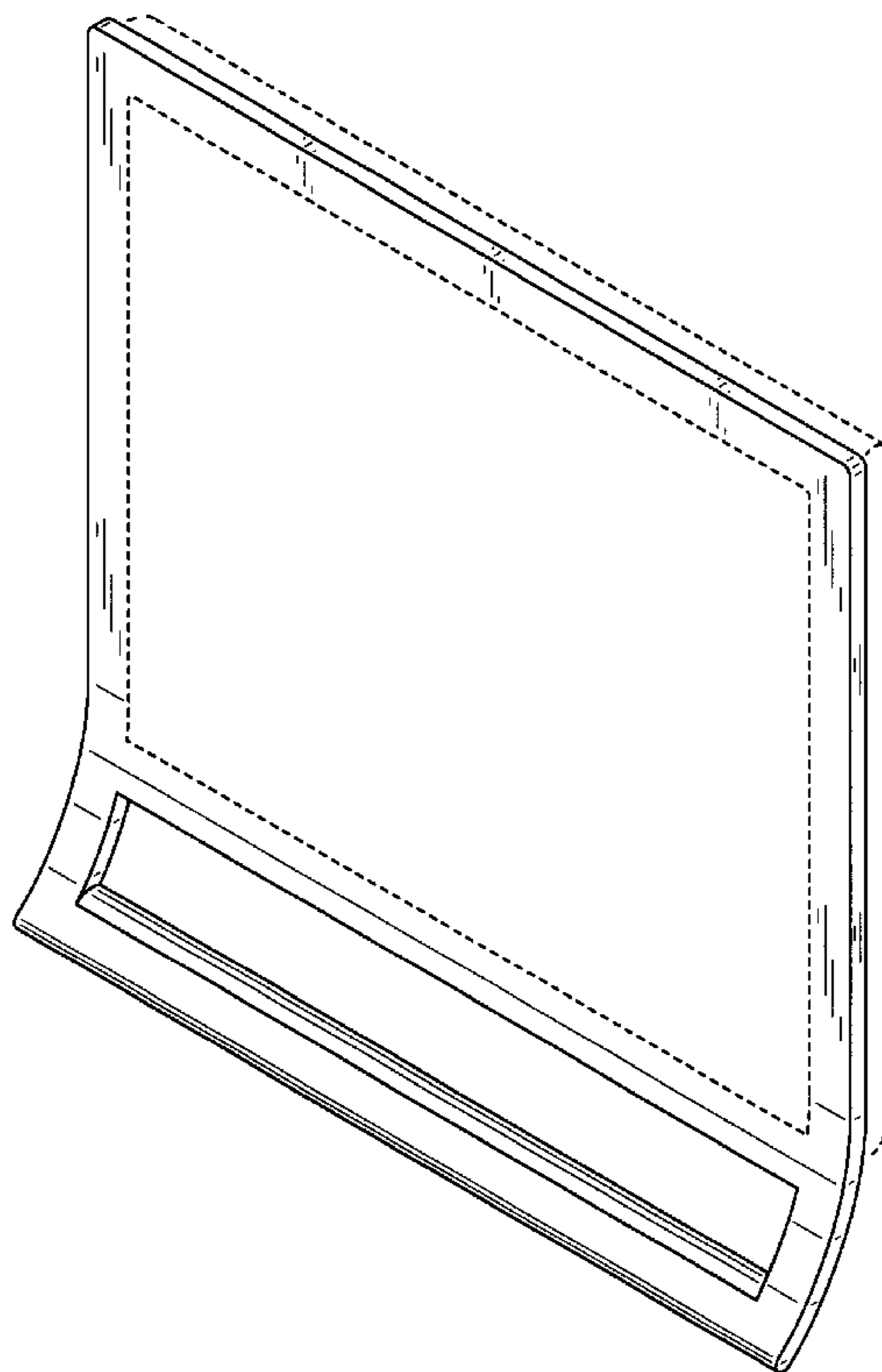


FIG. 1

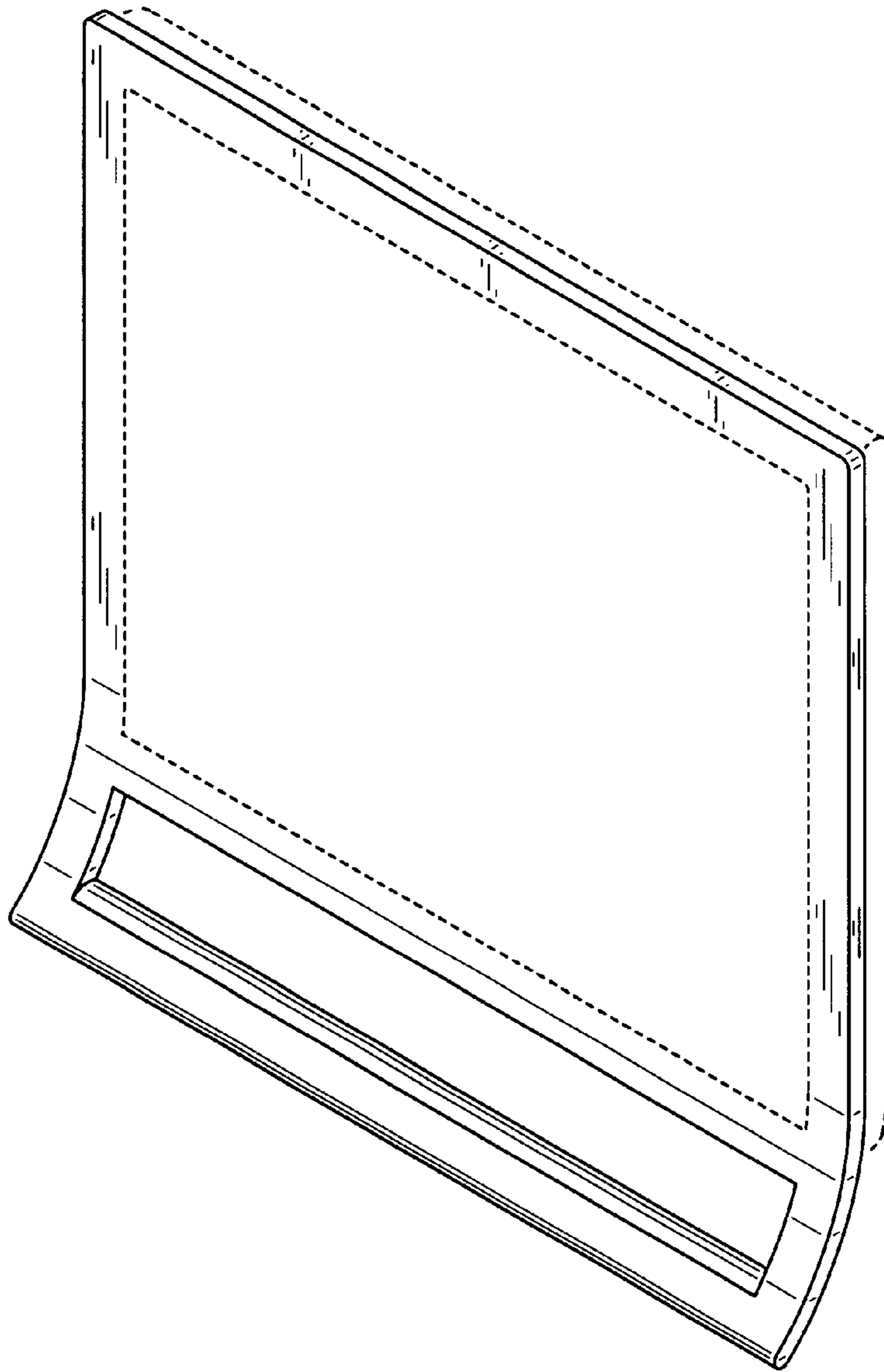


FIG.2

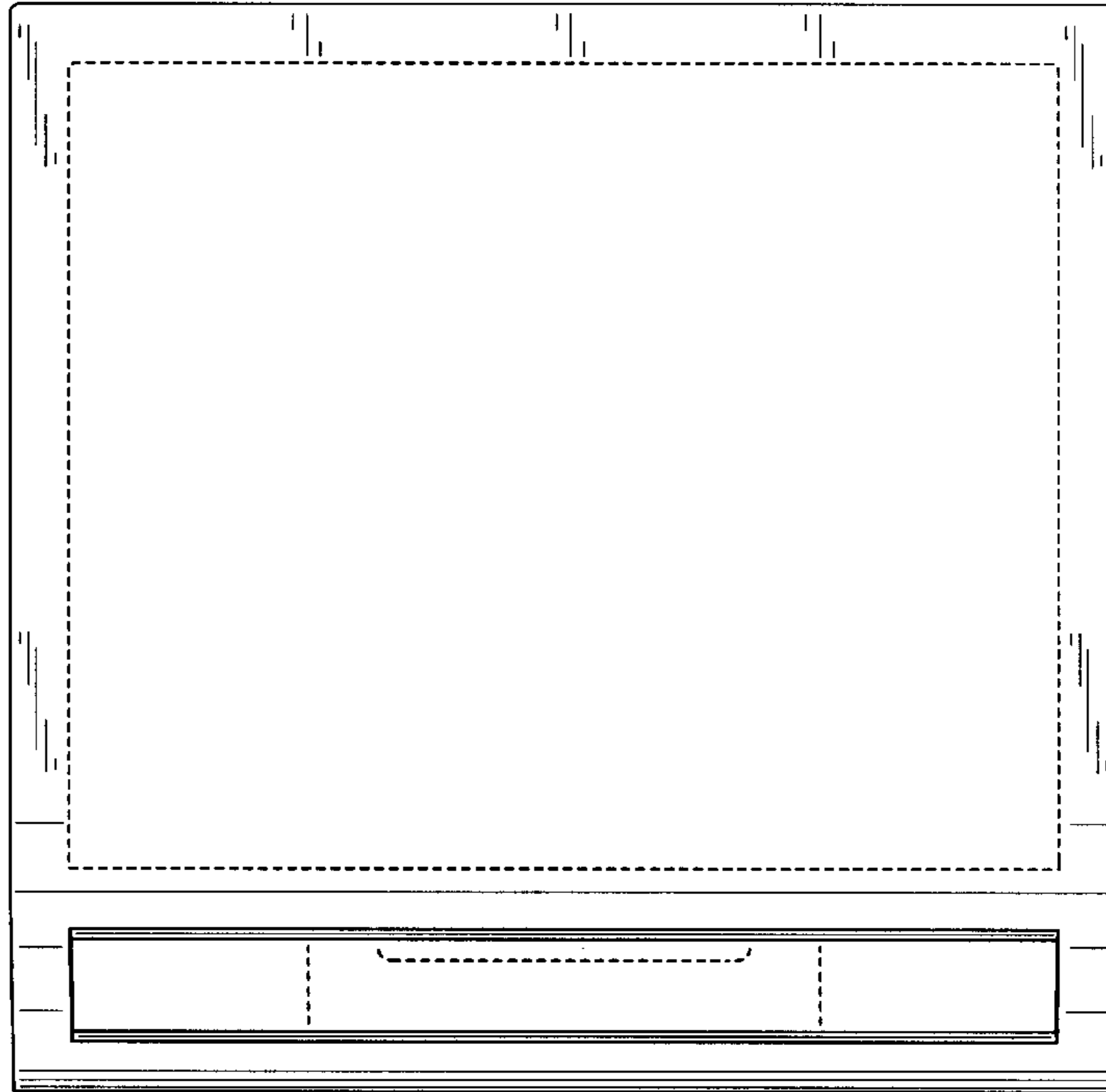


FIG.3

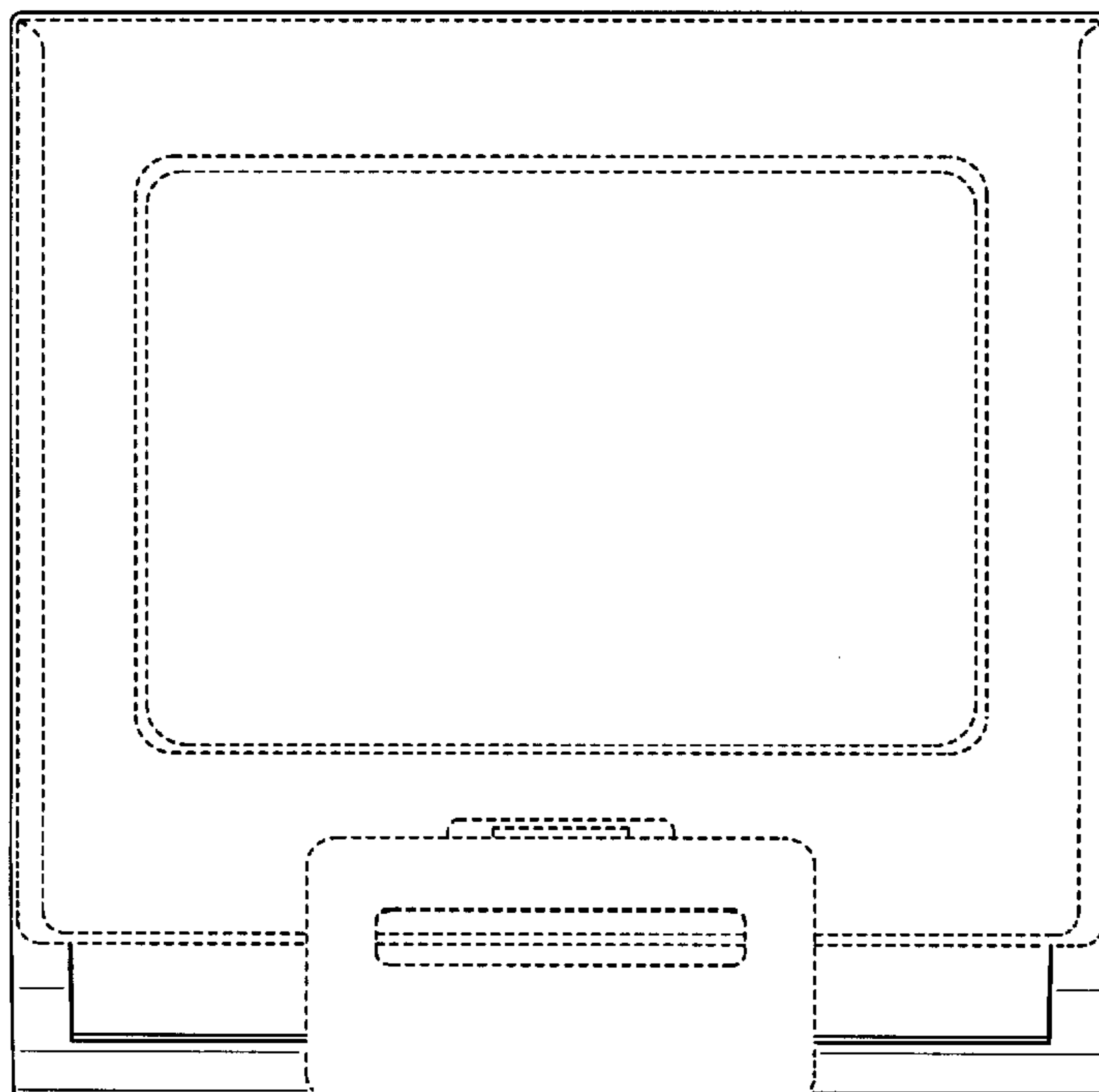


FIG.4

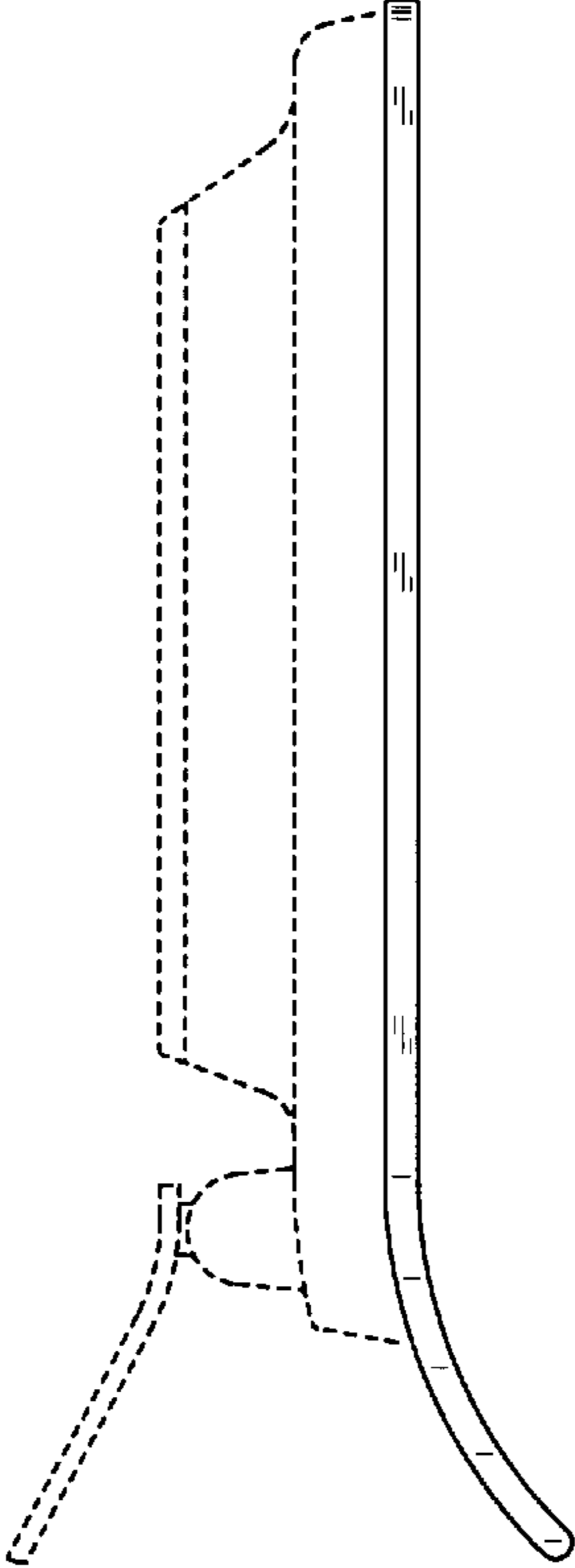


FIG.5

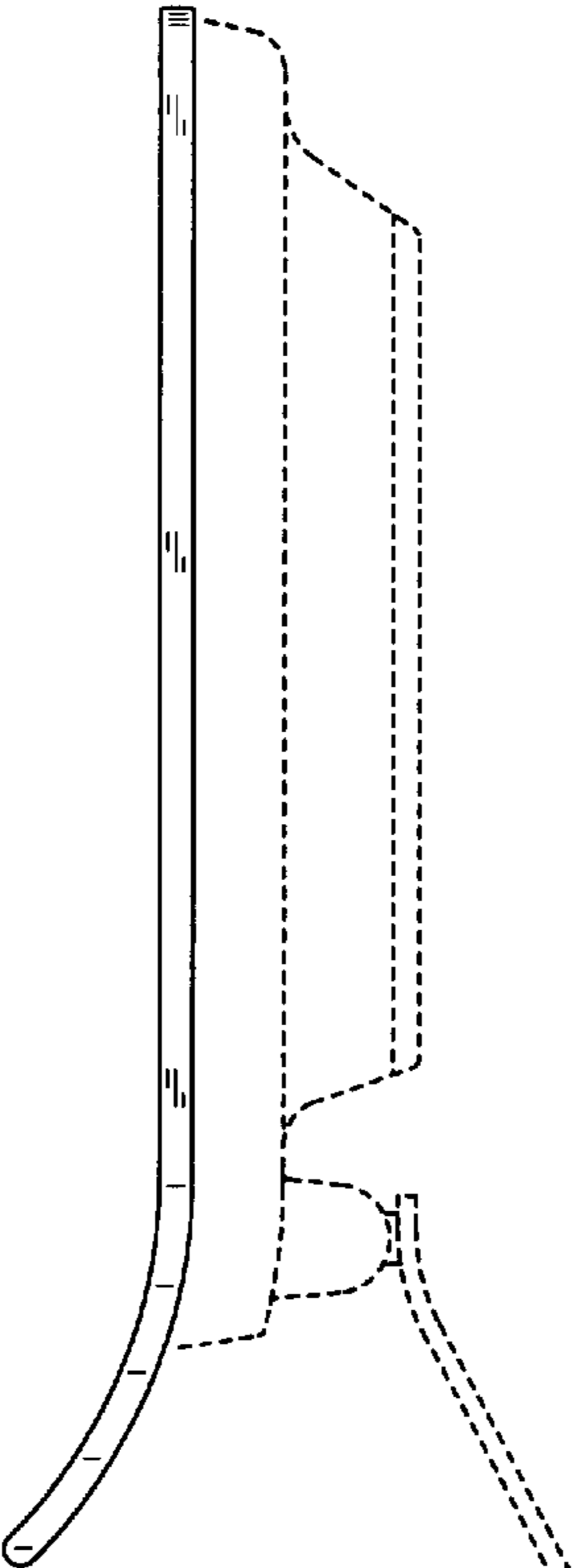


FIG.6

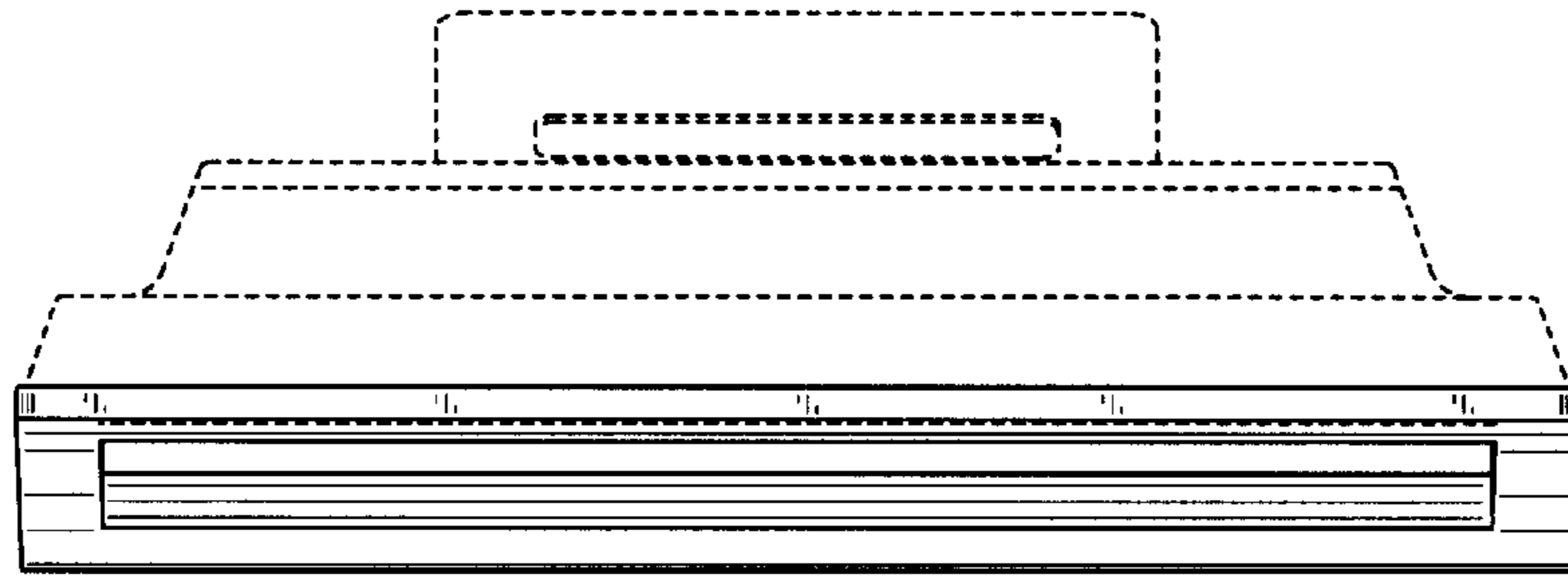


FIG.7

