



US00D535950S

(12) **United States Design Patent** (10) **Patent No.:** **US D535,950 S**
Alker et al. (45) **Date of Patent:** **** Jan. 30, 2007**

(54) **LIGHTING CONTROL HAVING A DECORATIVE KNOB**

D522,710 S * 6/2006 Beacham D99/37

* cited by examiner

(75) Inventors: **Raymond W. Alker**, Alburtis, PA (US);
Elliot G. Jacoby, Glenside, PA (US)

Primary Examiner—Selina Sikder

(74) *Attorney, Agent, or Firm*—Drinker Biddle & Reath LLP

(73) Assignee: **Lutron Electronics Co., Inc.**,
Coopersburg, PA (US)

(57) **CLAIM**

(**) Term: **14 Years**

The ornamental design for a lighting control having a decorative knob, as shown and described.

(21) Appl. No.: **29/237,476**

DESCRIPTION

(22) Filed: **Aug. 31, 2005**

(51) **LOC (8) Cl.** **13-03**

(52) **U.S. Cl.** **D13/162; D13/170**

(58) **Field of Classification Search** D3/211;
D14/232; D21/712; D99/37; D13/162, 164,
D13/169, 170, 171, 174; D10/108, 116, 118;
D8/353; 200/5 A, 293, 296, 297, 329, 333,
200/335, 339, 341, 520, 530, 537, 550, 552;
220/241; 307/125, 139; 315/291–296

See application file for complete search history.

FIG. 1 is a perspective view of a lighting control having a decorative knob according to a first embodiment our new design.

FIG. 2 is a front view thereof.

FIG. 3 is a left side view thereof.

FIG. 4 is a right side view thereof.

FIG. 5 is a top view thereof.

FIG. 6 is a bottom view thereof.

FIG. 7 is a perspective view of a lighting control having a decorative knob according to a second embodiment of our new design.

FIG. 8 is a front view thereof.

FIG. 9 is a left side view thereof.

FIG. 10 is a right side view thereof.

FIG. 11 is a top view thereof; and,

FIG. 12 is a bottom view thereof.

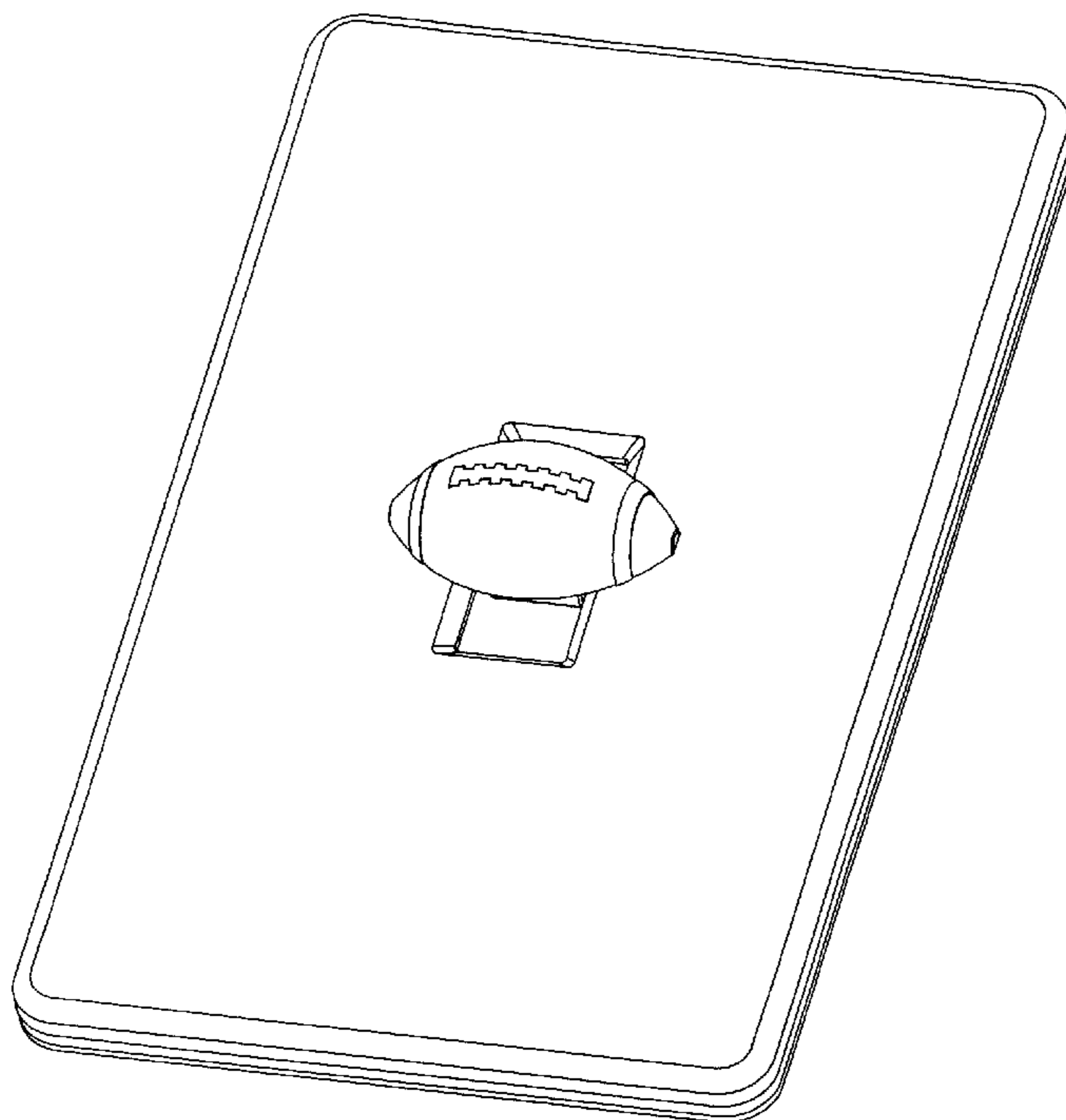
The rear views form no part of the design and are omitted. The portions of the drawings appearing in broken line are for environment only and do not form a part of the design.

(56) **References Cited**

U.S. PATENT DOCUMENTS

- 4,939,383 A * 7/1990 Tucker et al. 307/139
- 5,191,971 A * 3/1993 Hakkarainen et al. 200/550
- D335,282 S * 5/1993 Jurell et al. D13/170
- D387,772 S * 12/1997 Steinberg D14/230
- D419,686 S * 1/2000 Sikorski D25/7
- D424,064 S * 5/2000 Suh D14/232
- D437,584 S * 2/2001 Radosavljevic et al. ... D13/170
- D477,575 S * 7/2003 Mayo et al. D13/171

1 Claim, 8 Drawing Sheets



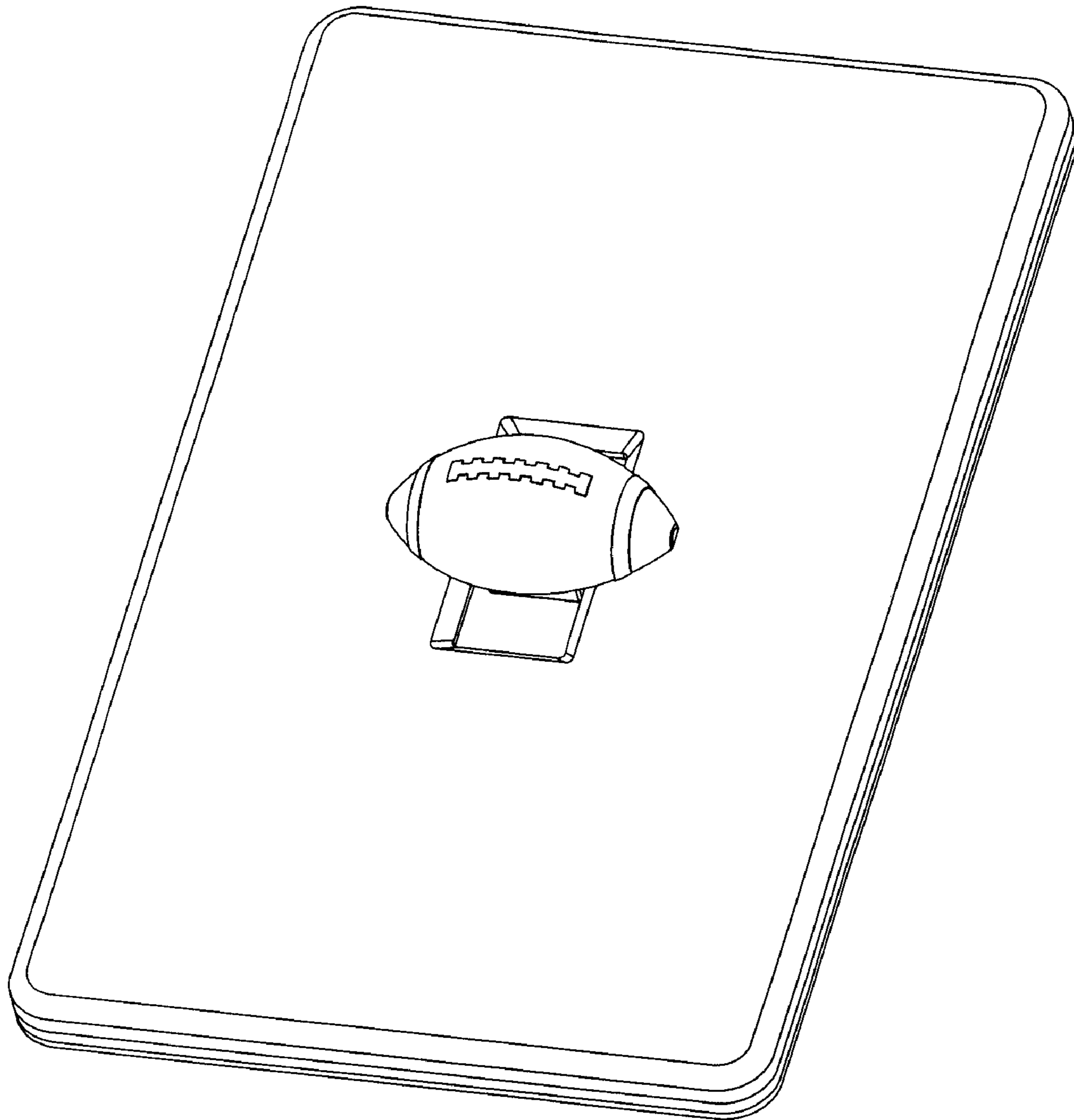


FIG. 1

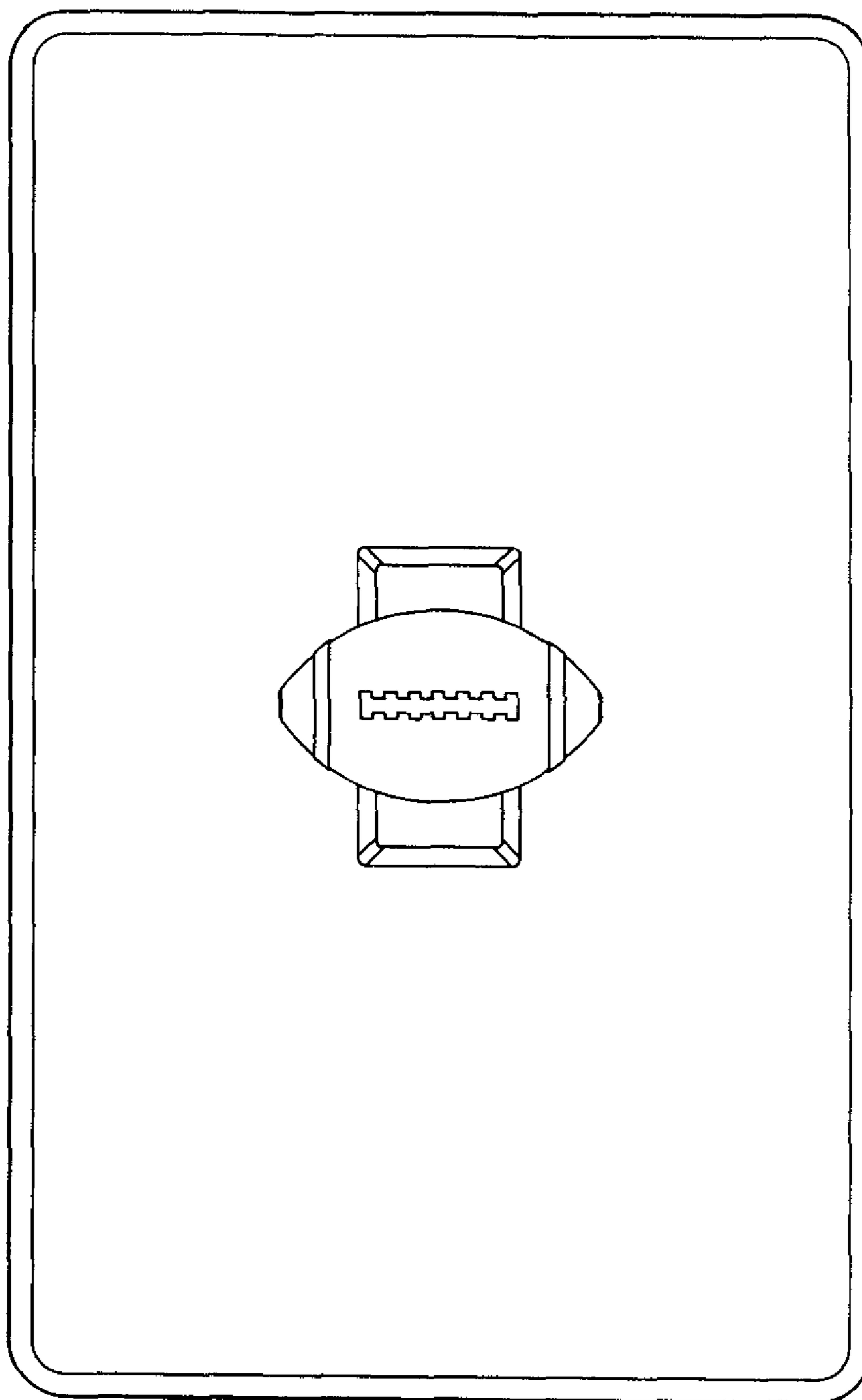


FIG. 2

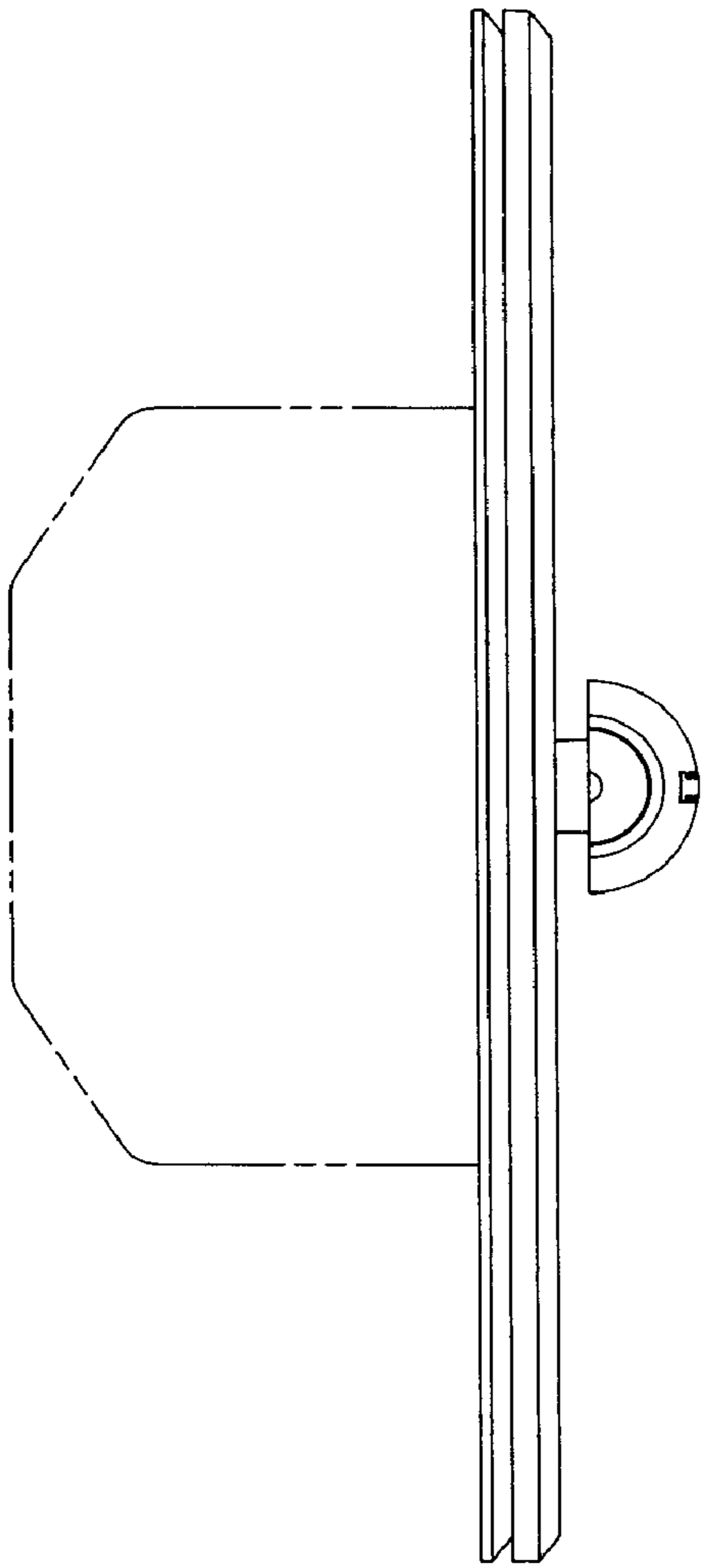


FIG. 3

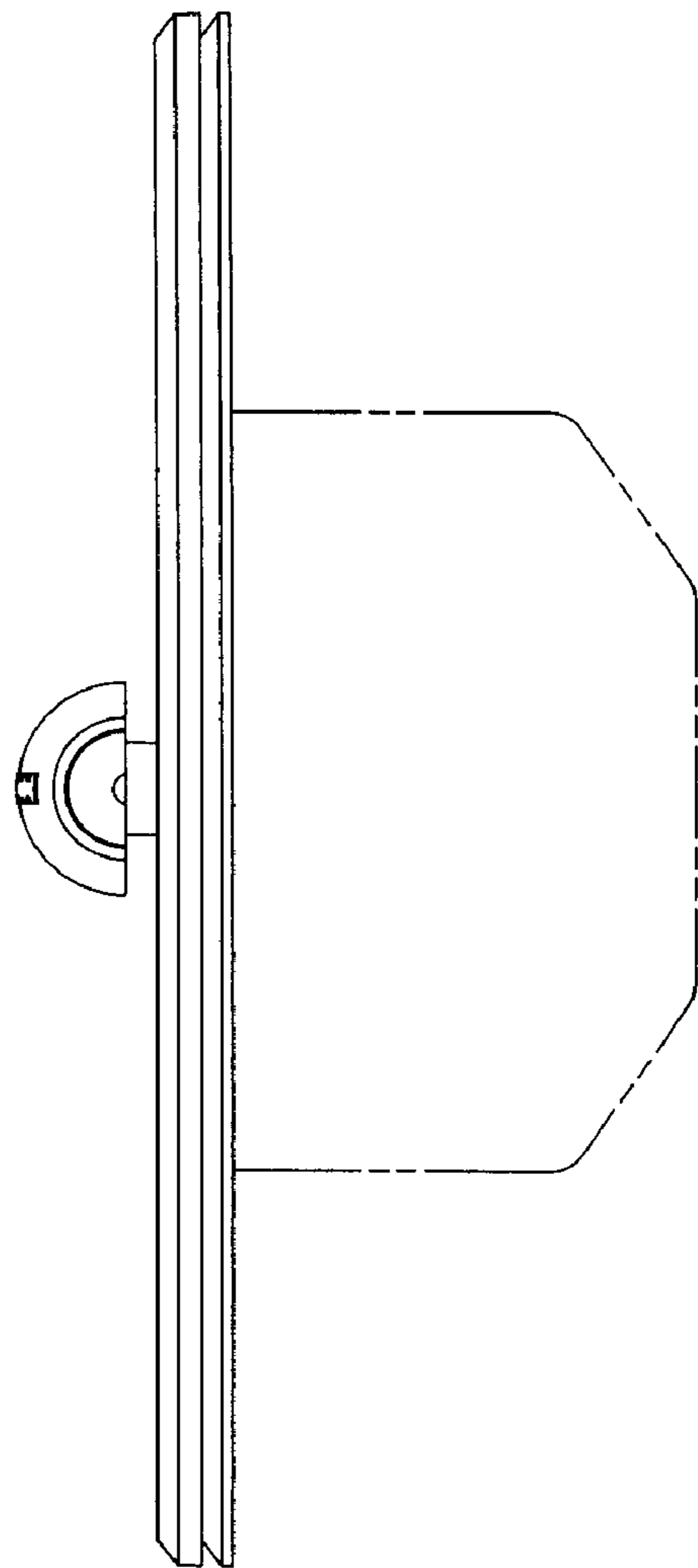


FIG. 4

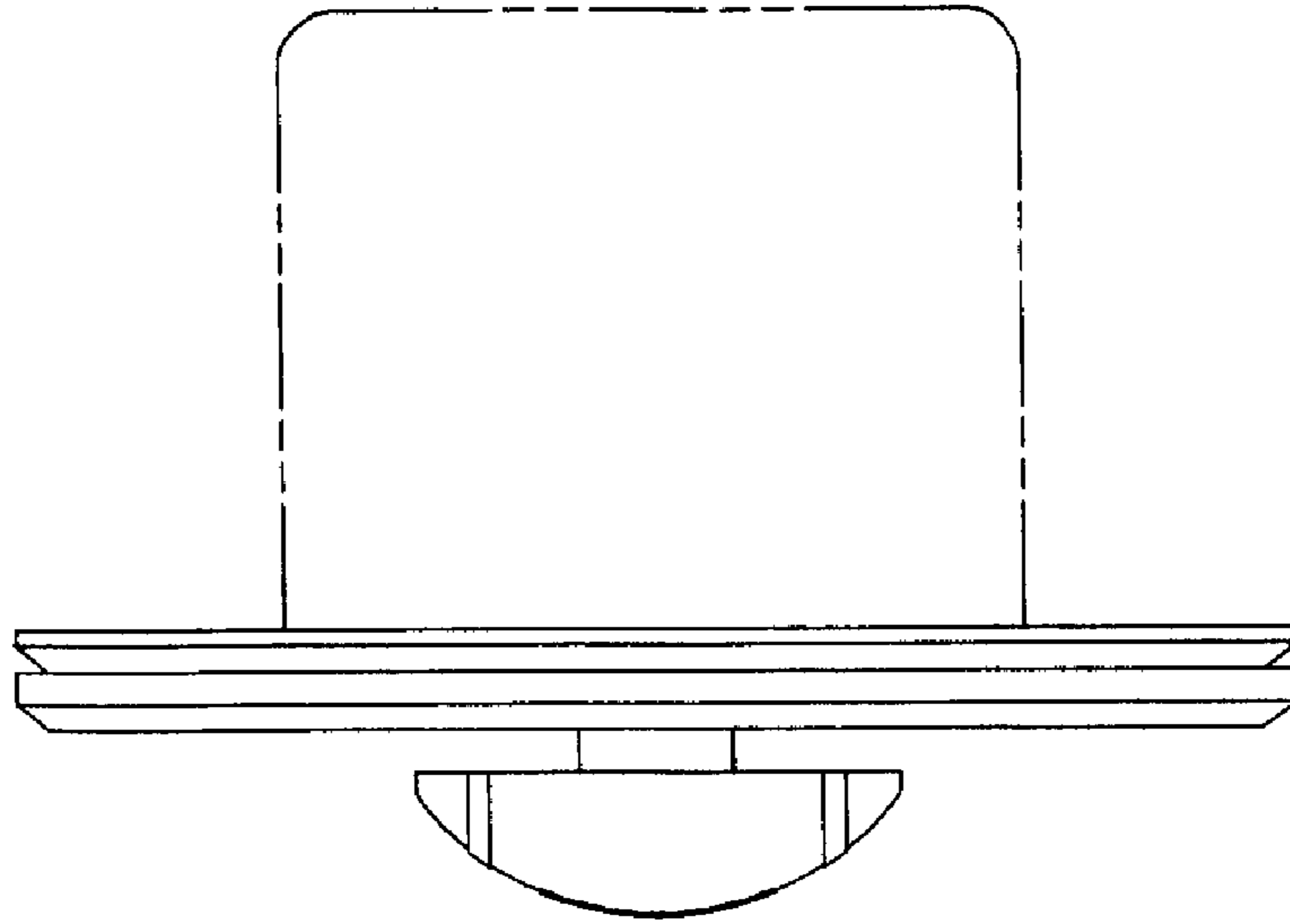


FIG. 5

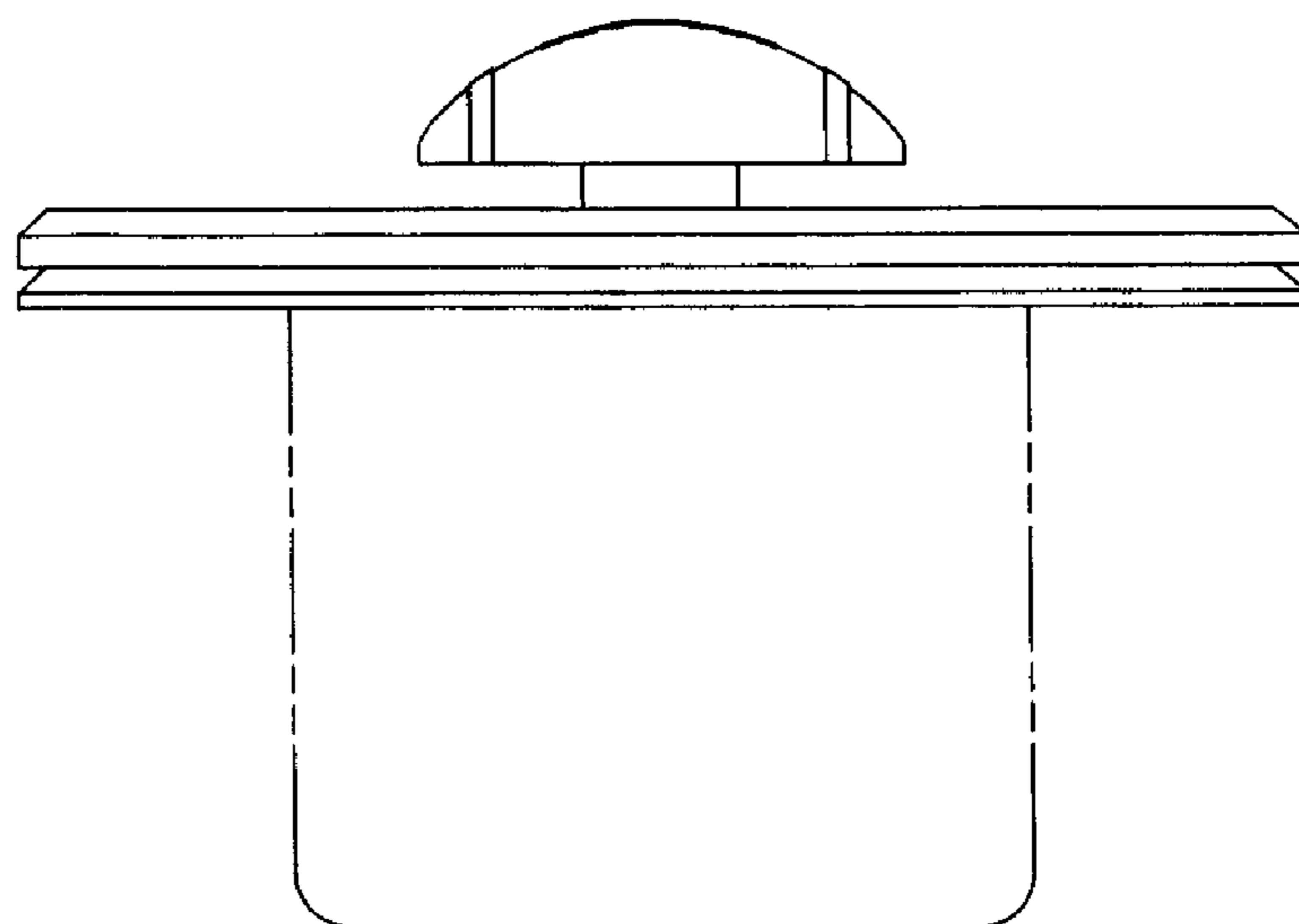


FIG. 6

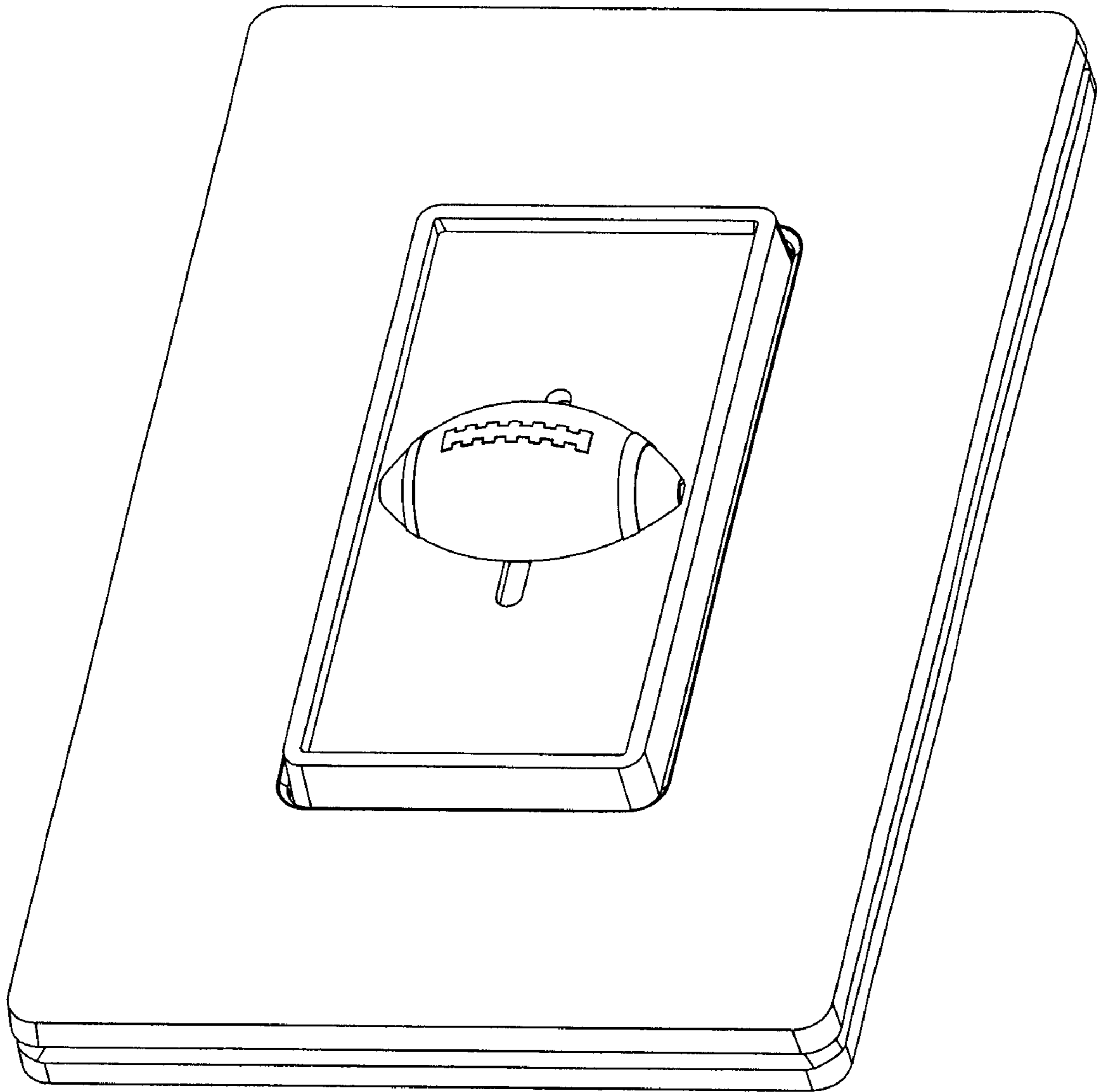


FIG. 7

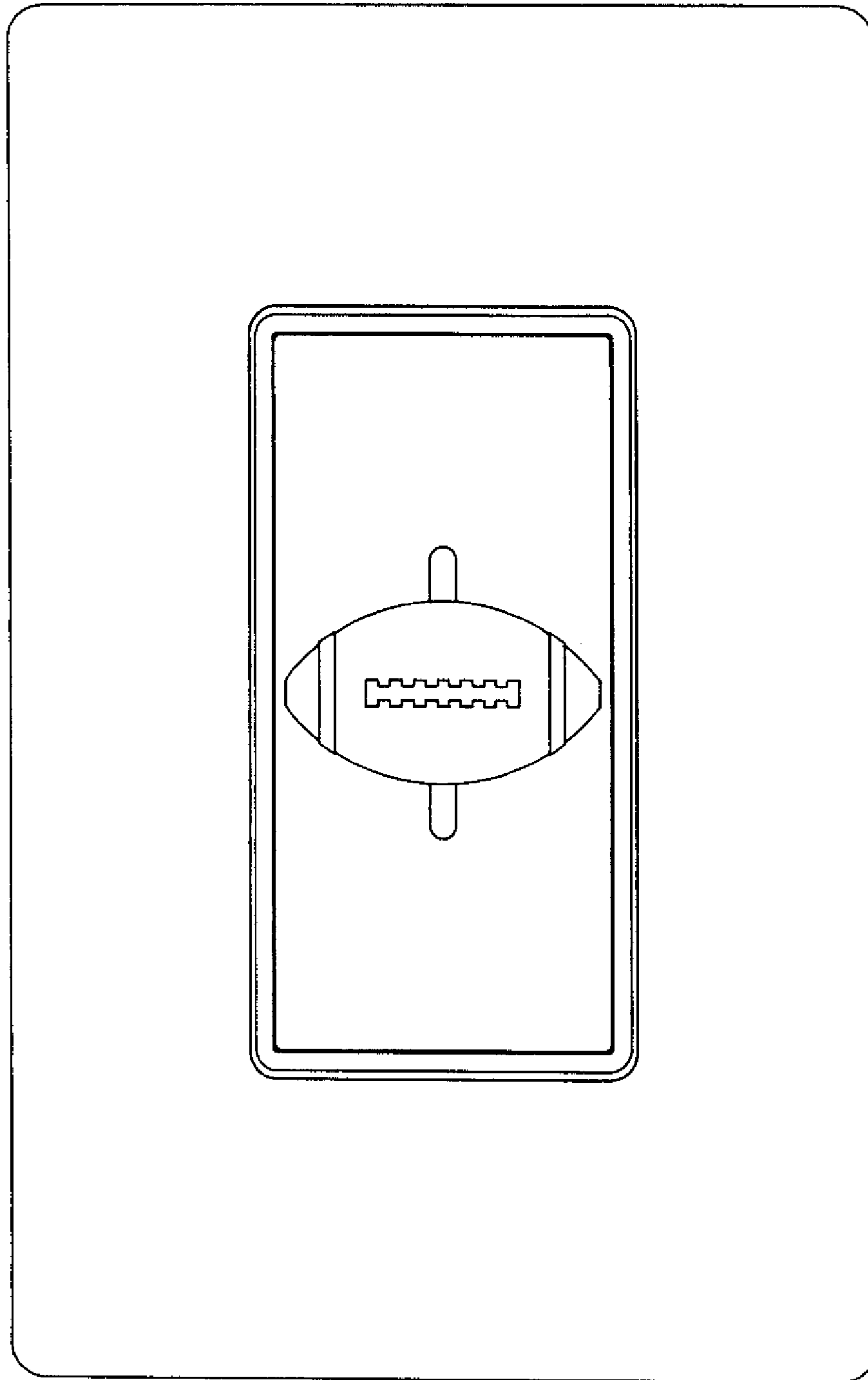


FIG. 8

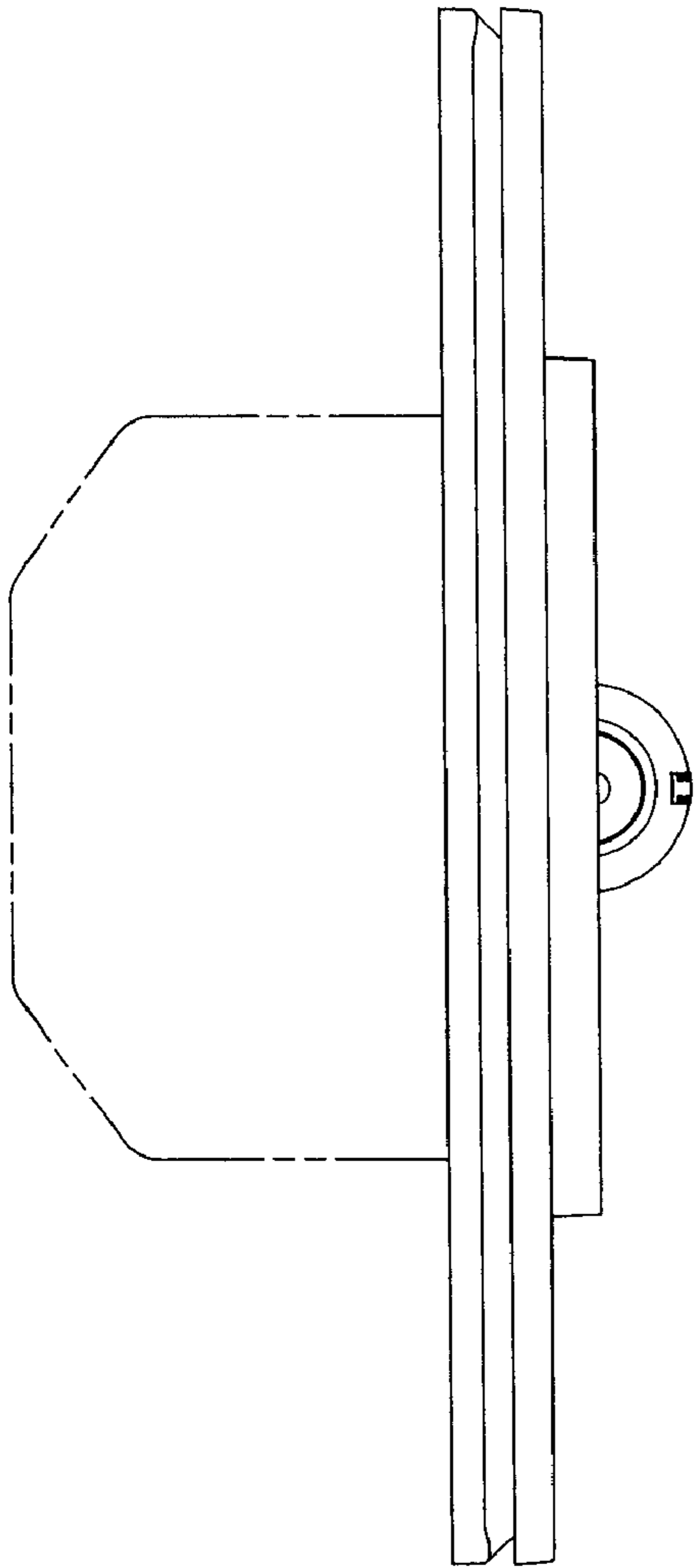


FIG. 9

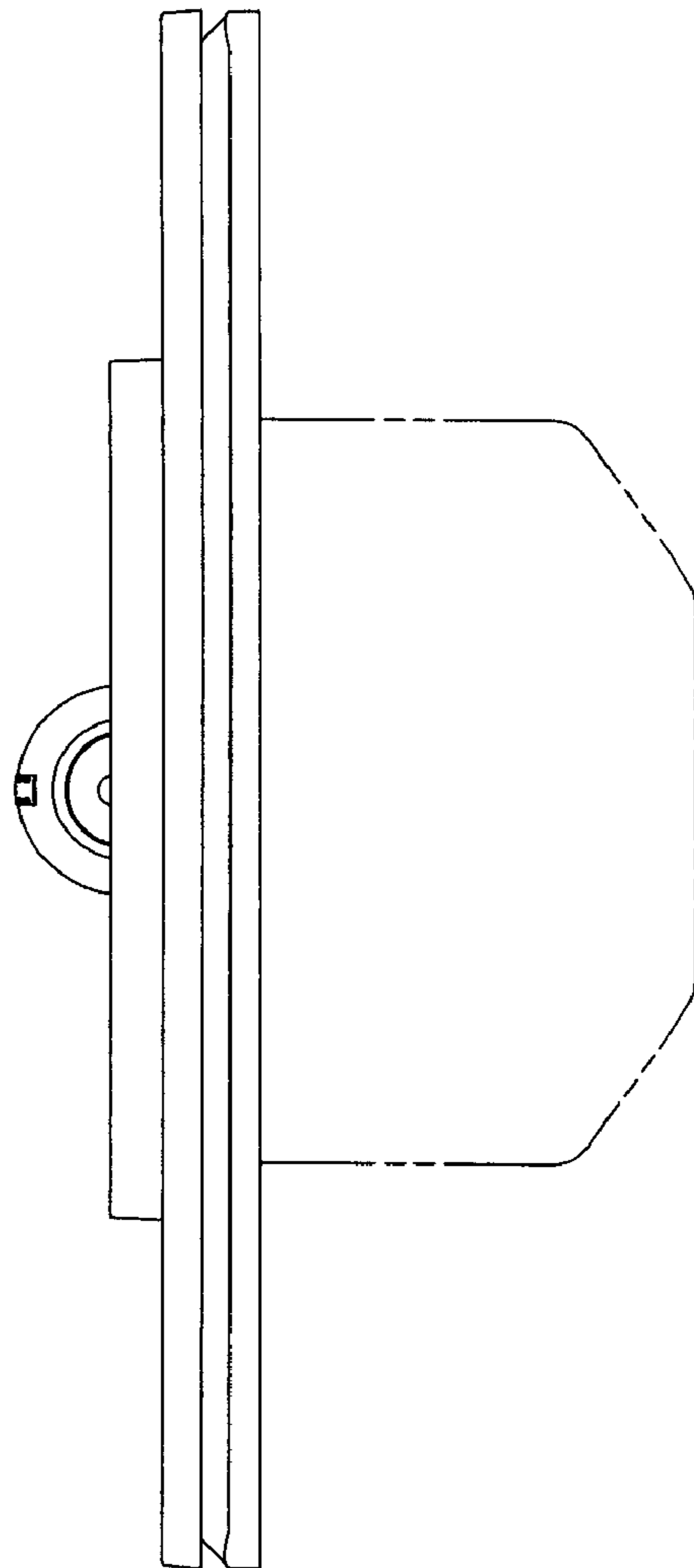


FIG. 10

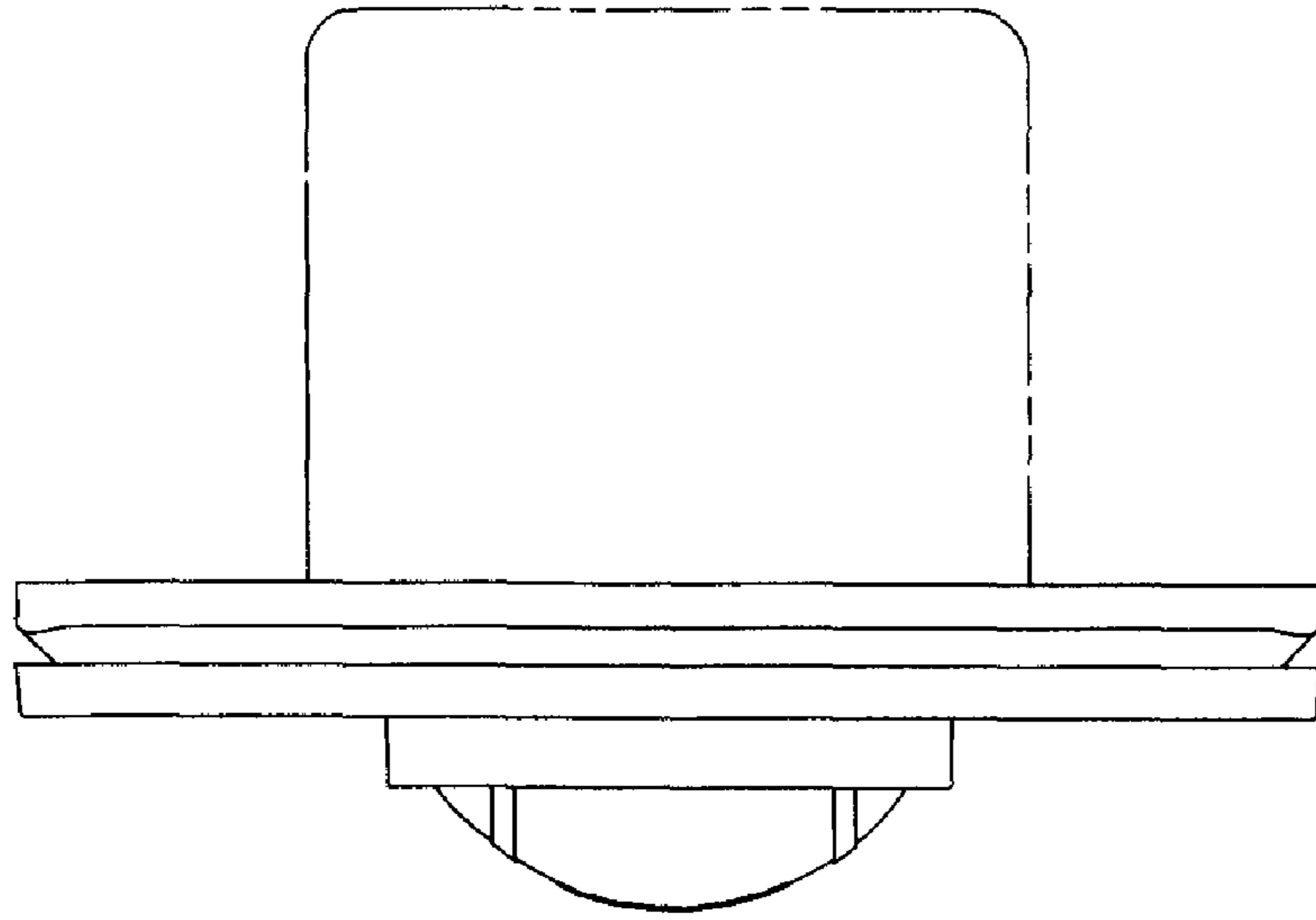


FIG. 11

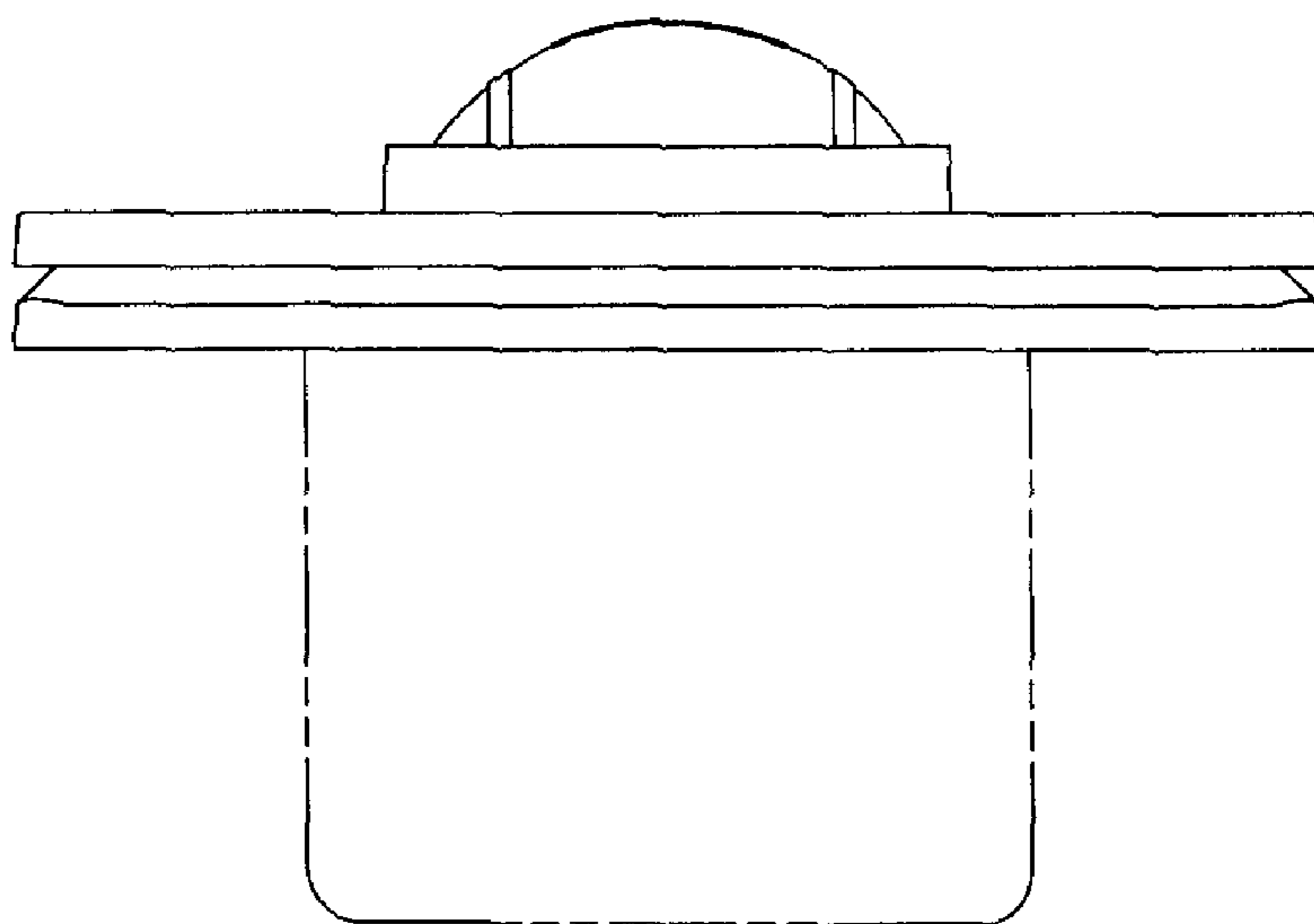


FIG. 12