



US00D535948S

(12) **United States Design Patent**
Lee

(10) **Patent No.:** **US D535,948 S**

(45) **Date of Patent:** **** Jan. 30, 2007**

(54) **UNINTERRUPTIBLE POWER SUPPLY**

(76) **Inventor:** **Yuh-Cheng Lee**, 3F., 200, Sec. 3, Xin Yi Rd., Taipei City 106 (TW)

(**) **Term:** **14 Years**

(21) **Appl. No.:** **29/221,527**

(22) **Filed:** **Jan. 19, 2005**

(51) **LOC (8) Cl.** **13-03**

(52) **U.S. Cl.** **D13/139.8**

(58) **Field of Classification Search** D13/139.8,
D13/112, 137.1, 137.2, 137.3, 142, 160; 361/56;
439/650, 651

See application file for complete search history.

(56) **References Cited**

U.S. PATENT DOCUMENTS

2,518,812 A	*	8/1950	Oswald	340/656
D216,887 S	*	3/1970	Kahn	D13/139.8
D284,758 S	*	7/1986	Maloney	D13/137.3
D285,788 S	*	9/1986	Rapp et al.	D13/139.8
D297,829 S	*	9/1988	Burgher et al.	D13/110

D356,294 S	*	3/1995	Fladung	D13/139.8
D357,460 S	*	4/1995	Lovett	D13/139.1
D367,642 S	*	3/1996	Boesel et al.	D13/139.8

* cited by examiner

Primary Examiner—Stella Reid

Assistant Examiner—Derrick Holland

(74) *Attorney, Agent, or Firm*—Lowe, Hauptman & Berner, LLP

(57) **CLAIM**

The ornamental design for an uninterruptible power supply, as shown and described.

DESCRIPTION

FIG. 1 is a perspective view of an uninterruptible power supply showing my new design;

FIG. 2 is a front elevational view thereof;

FIG. 3 is a rear elevational view thereof;

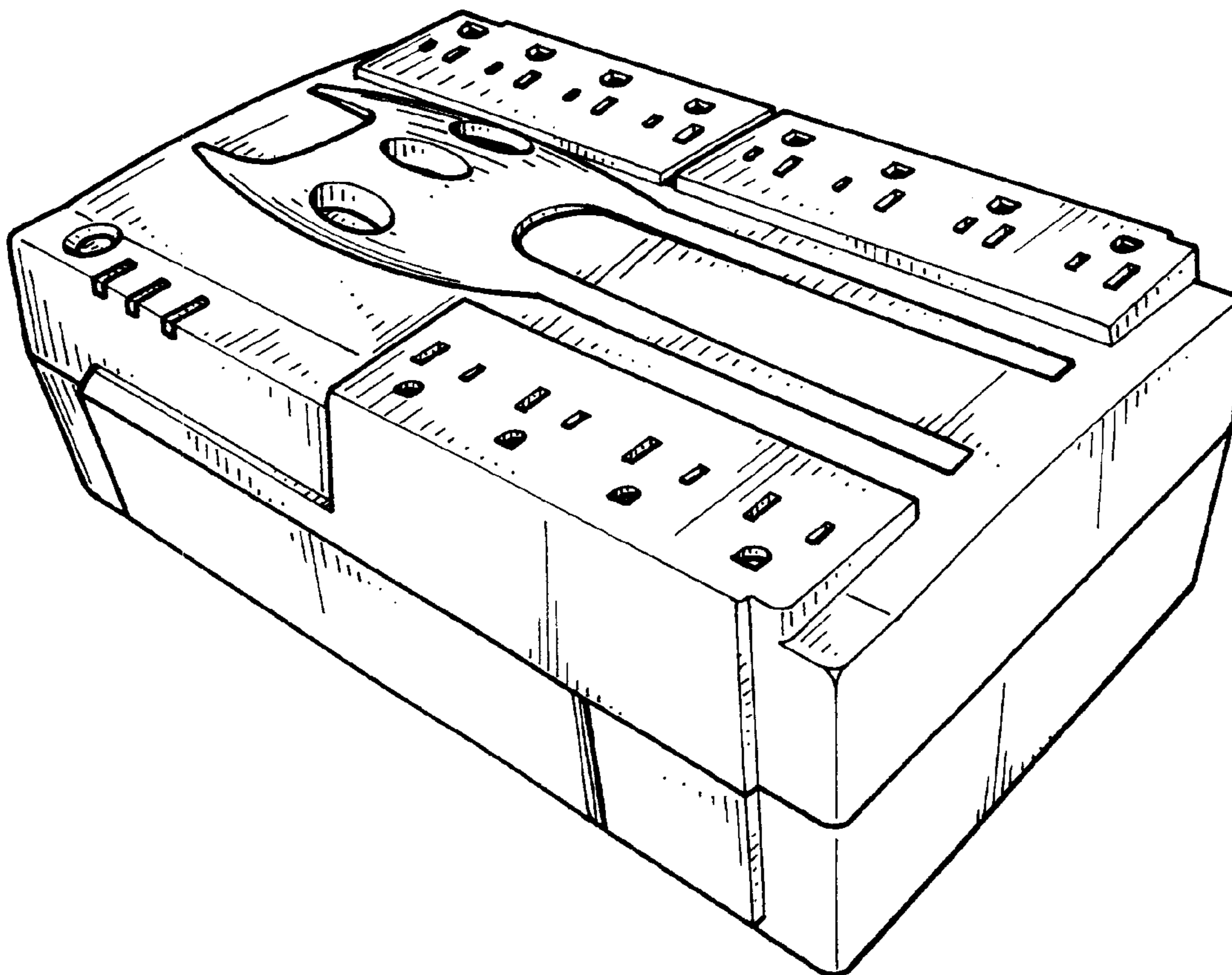
FIG. 4 is a left side elevational view thereof;

FIG. 5 is a right side elevational view thereof;

FIG. 6 is a top plan view thereof; and,

FIG. 7 is a bottom plan view thereof.

1 Claim, 4 Drawing Sheets



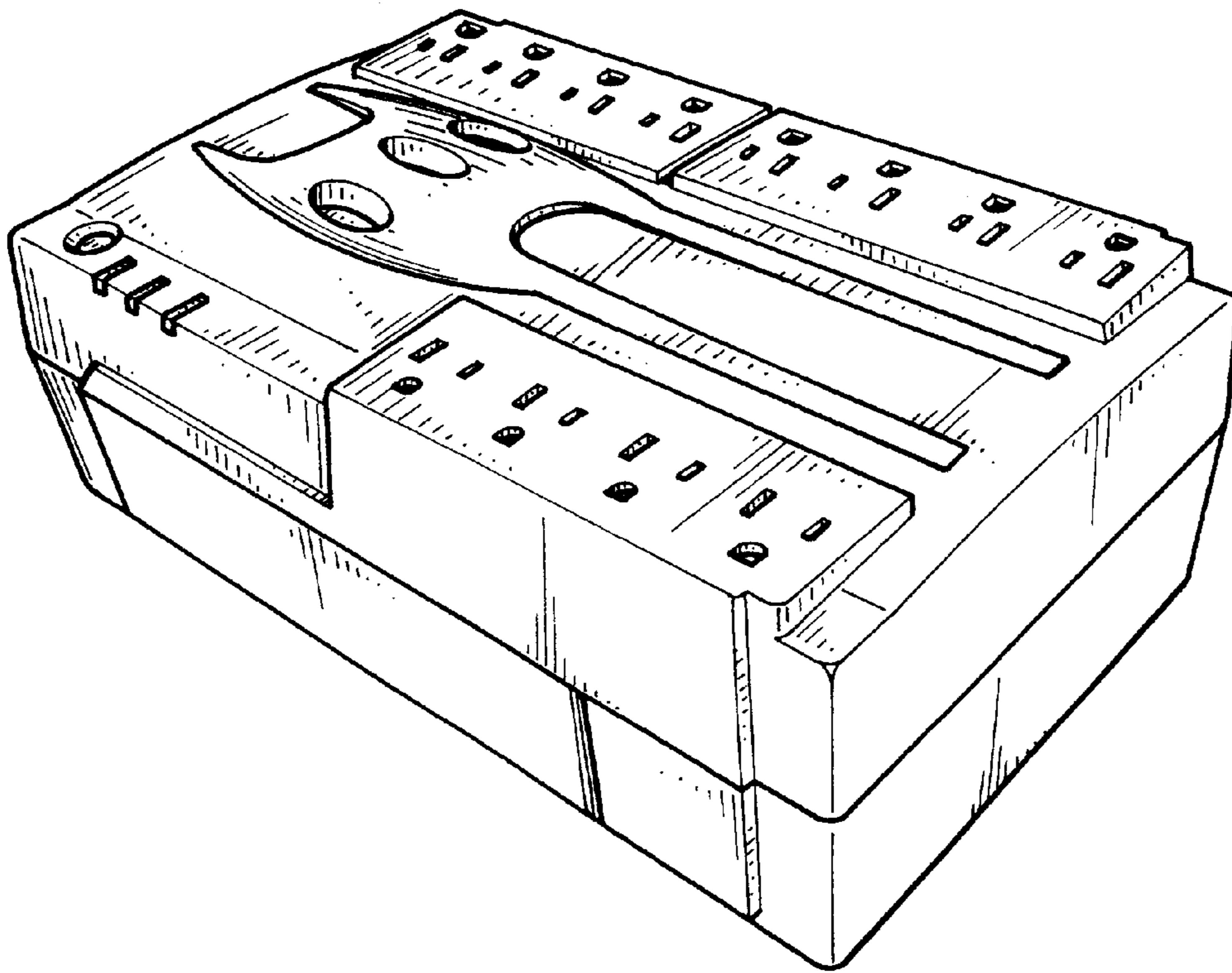


Fig. 1

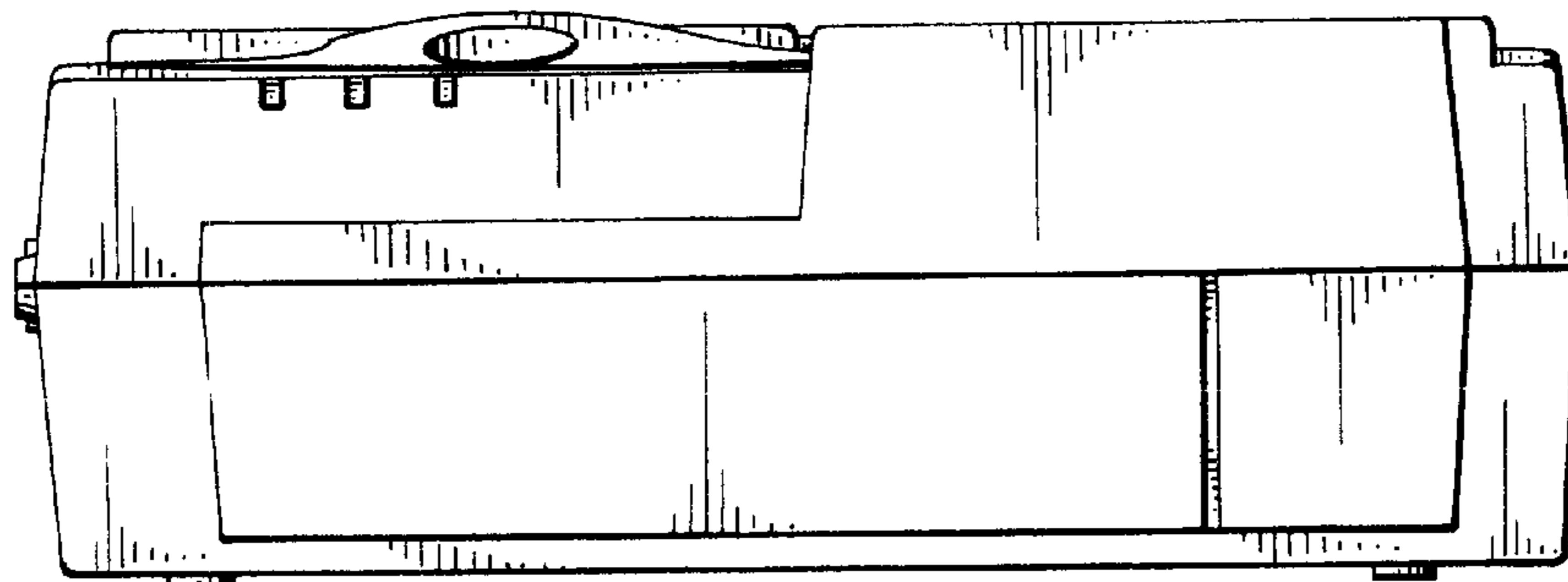


Fig. 2

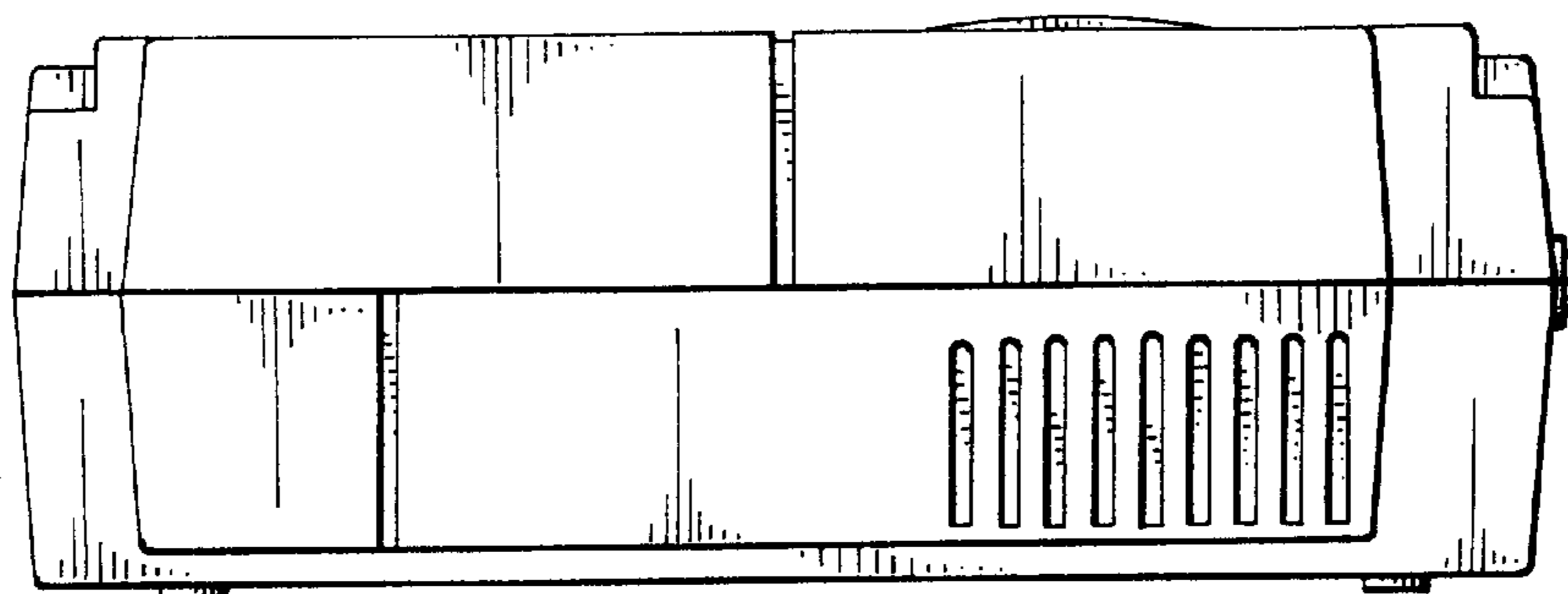


Fig. 3

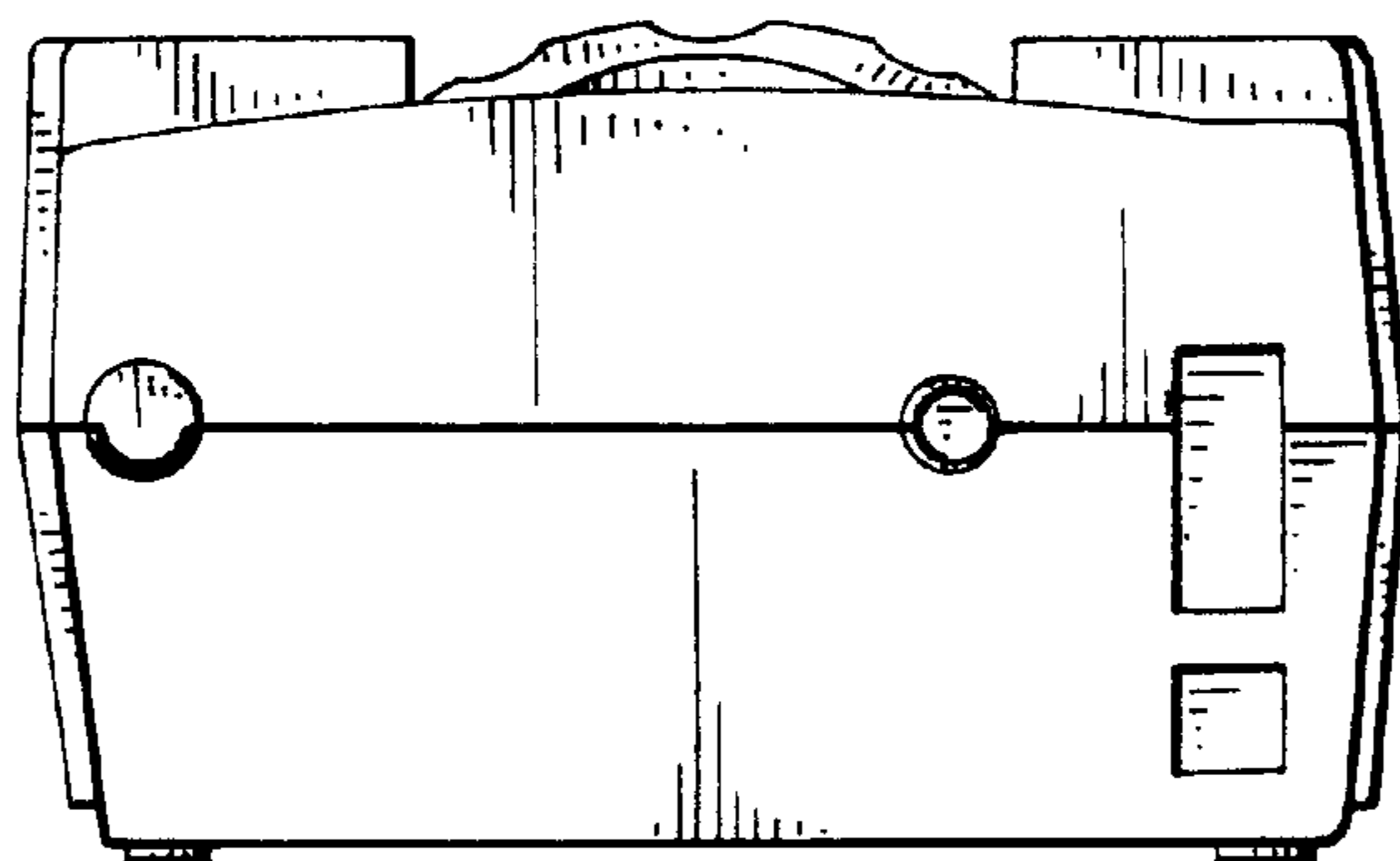


Fig. 4

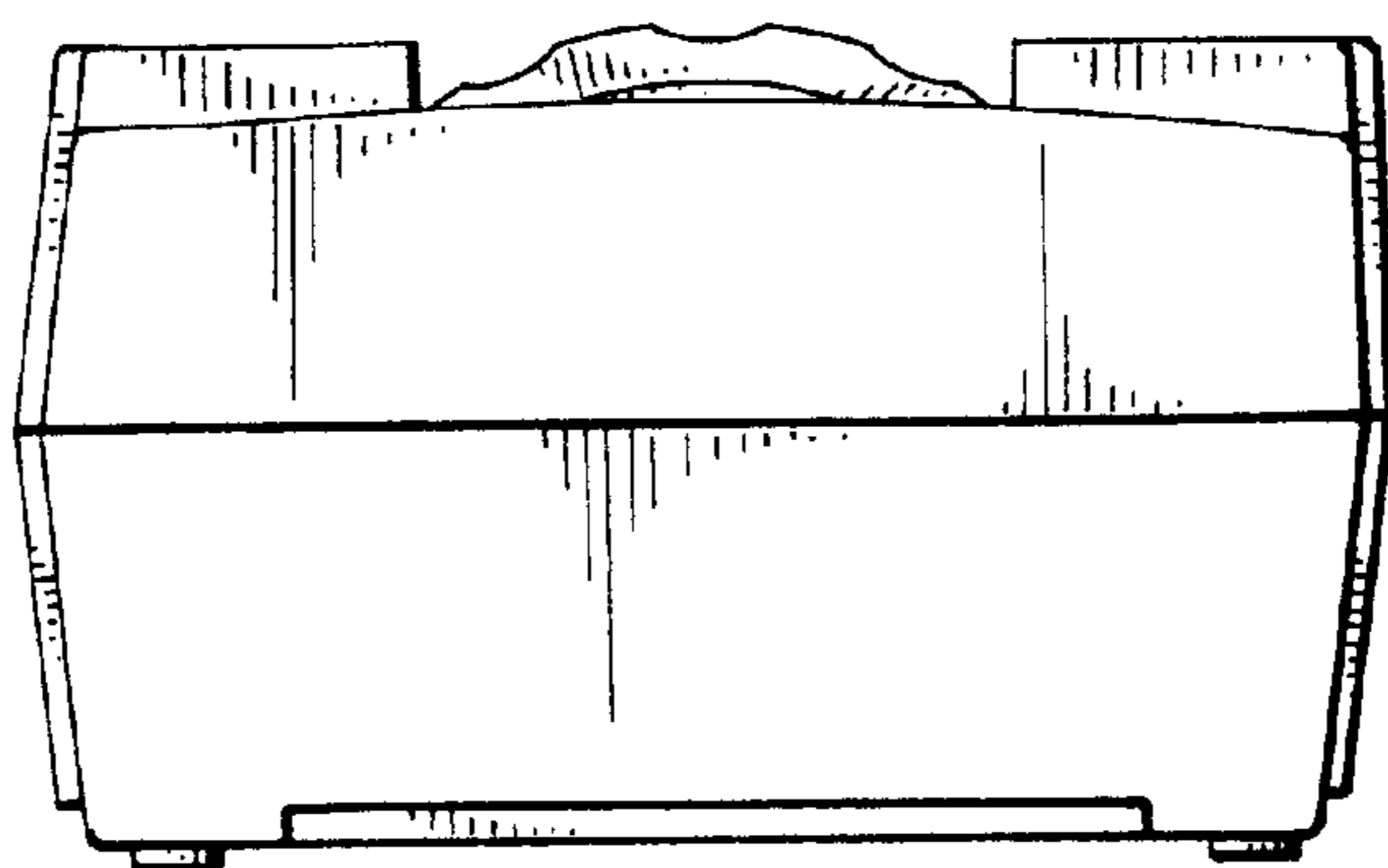


Fig. 5

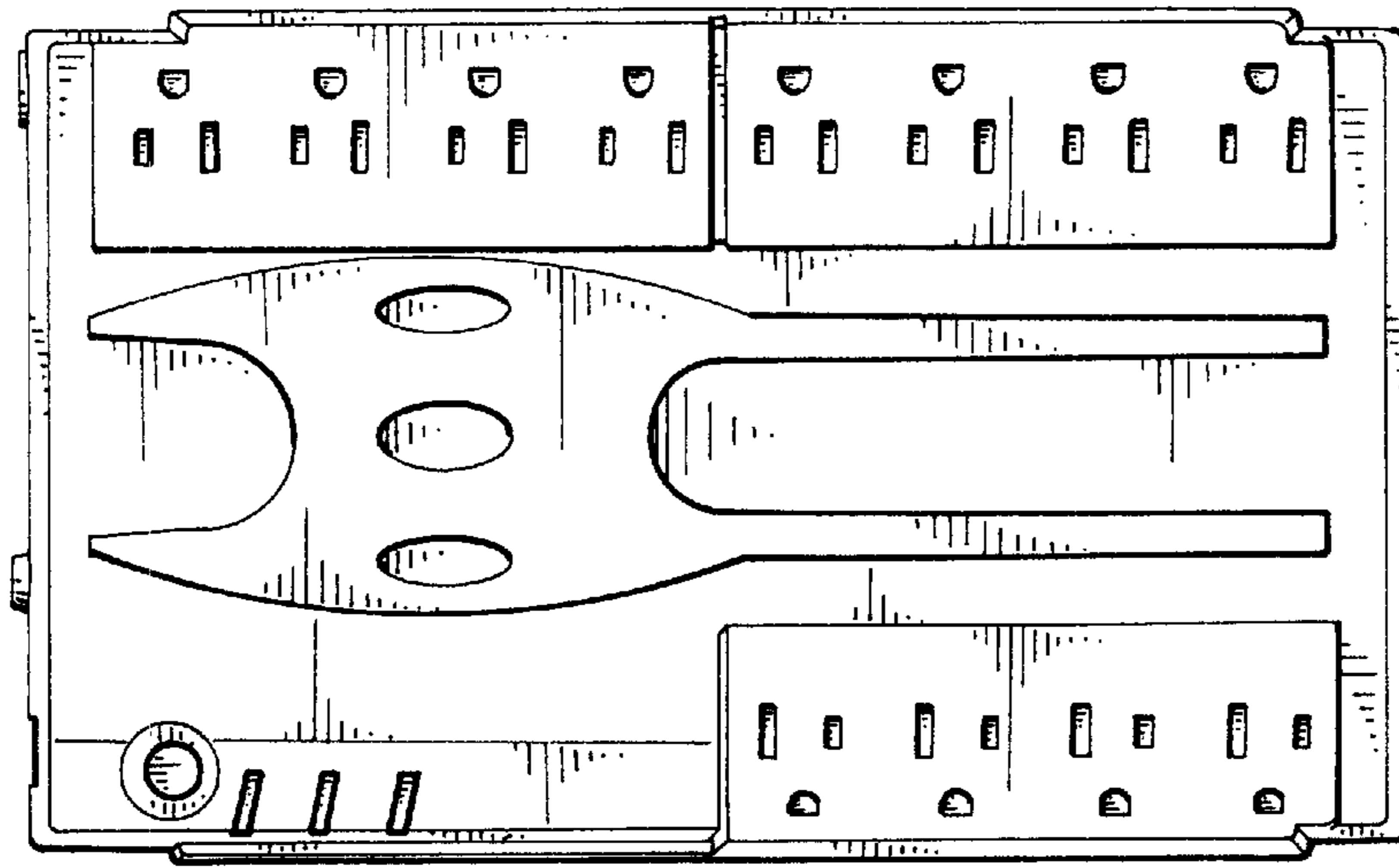


Fig. 6

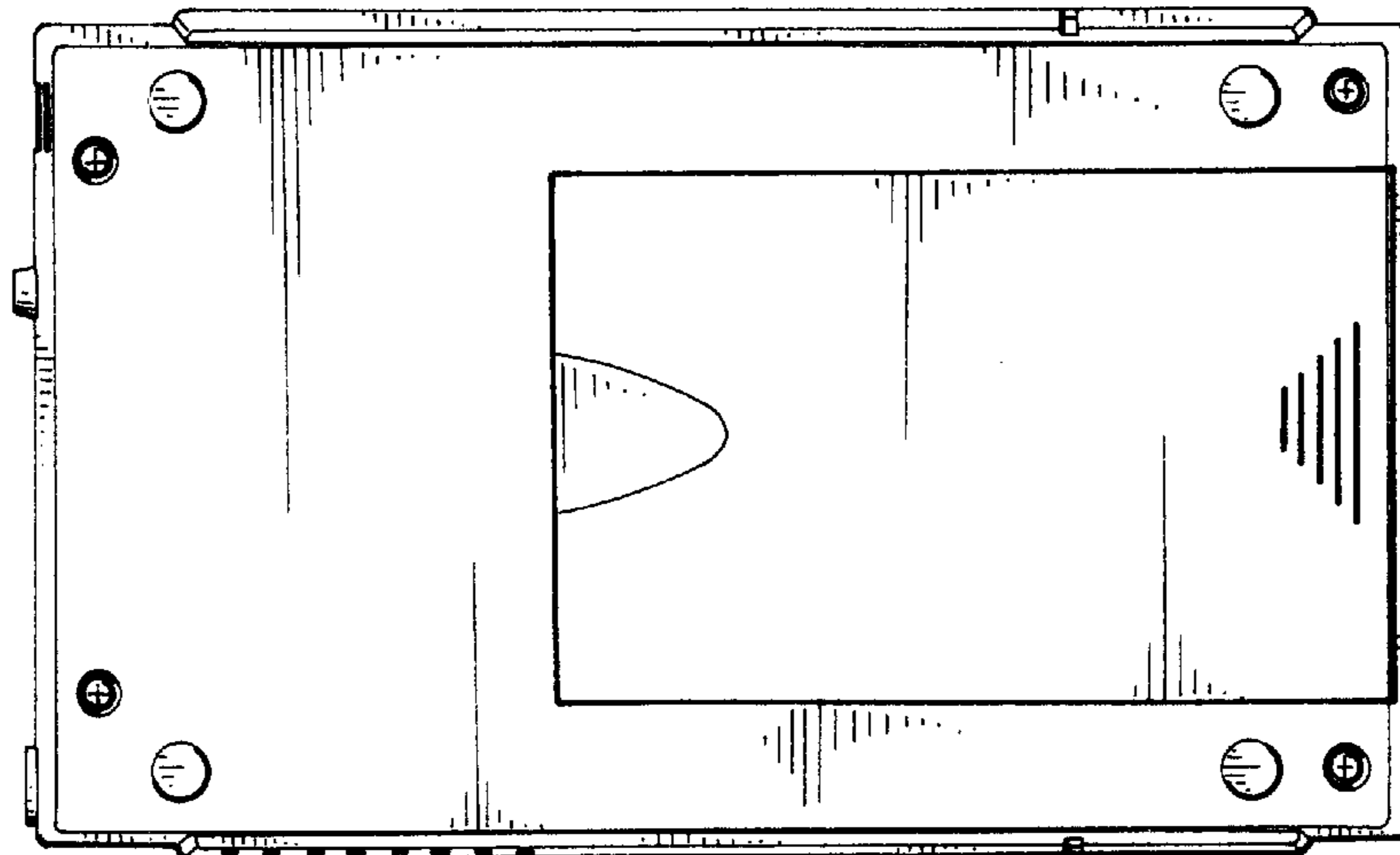


Fig. 7