



US00D535947S

(12) **United States Design Patent**
Suckle et al.

(10) **Patent No.:** **US D535,947 S**
(45) **Date of Patent:** **** Jan. 30, 2007**

(54) **WALL PLUG**

(75) Inventors: **Mitchell Suckle**, Long Beach, CA
(US); **Yoko Iida**, Los Angeles, CA
(US); **Yotaro Tsuchiya**, Pasadena, CA
(US)

(73) Assignee: **Belkin Corporation**, Compton, CA
(US)

(**) Term: **14 Years**

(21) Appl. No.: **29/237,021**

(22) Filed: **Aug. 24, 2005**

(51) **LOC (8) Cl.** **13-03**

(52) **U.S. Cl.** **D13/138.2**

(58) **Field of Classification Search** .. D13/137.1-137.4,
D13/138.1, 138.2, 133, 154; 439/171-172,
439/140, 160, 164, 135-138, 446, 131, 606,
439/105, 106, 11, 13, 31; 337/197, 198; 174/53-58
See application file for complete search history.

(56) **References Cited**

U.S. PATENT DOCUMENTS

5,069,634	A	*	12/1991	Chiarolanzio	439/353
D339,566	S	*	9/1993	Okamoto	D13/138.2
D355,408	S	*	2/1995	Geis et al.	D13/138.1
D365,083	S	*	12/1995	Hedrick	D13/138.1
D369,142	S	*	4/1996	Hedrick	D13/138.1

D375,291	S	*	11/1996	Cheung	D13/138.2
D379,964	S	*	6/1997	Maddock et al.	D13/138.1
D401,903	S	*	12/1998	Dwight et al.	D13/138.2
D405,222	S	*	2/1999	Gilbert et al.	D13/138.2
D428,390	S	*	7/2000	Wang	D13/138.2
6,095,849	A	*	8/2000	Stekelenburg	439/483
D485,239	S	*	1/2004	Whalin et al.	D13/137.4
D519,079	S	*	4/2006	Suckle	D13/138.1

* cited by examiner

Primary Examiner—M. H. Tung

Assistant Examiner—Rosemary K. Tarcza

(74) *Attorney, Agent, or Firm*—Bryan Cave LLP

(57) **CLAIM**

We claim the ornamental design for a wall plug, as shown and described.

DESCRIPTION

FIG. 1 is a front elevational view of the wall plug;
FIG. 2 is a rear elevational view thereof;
FIG. 3 is a top view thereof;
FIG. 4 is a bottom view thereof;
FIG. 5 is a left side elevational view thereof;
FIG. 6 is a right side elevational view thereof;
FIG. 7 is a rear, right, top perspective view thereof; and,
FIG. 8 is a front, left, top perspective view thereof.
The broken lines in the drawings are for illustrative purposes only and form no part of the claimed design.

1 Claim, 2 Drawing Sheets

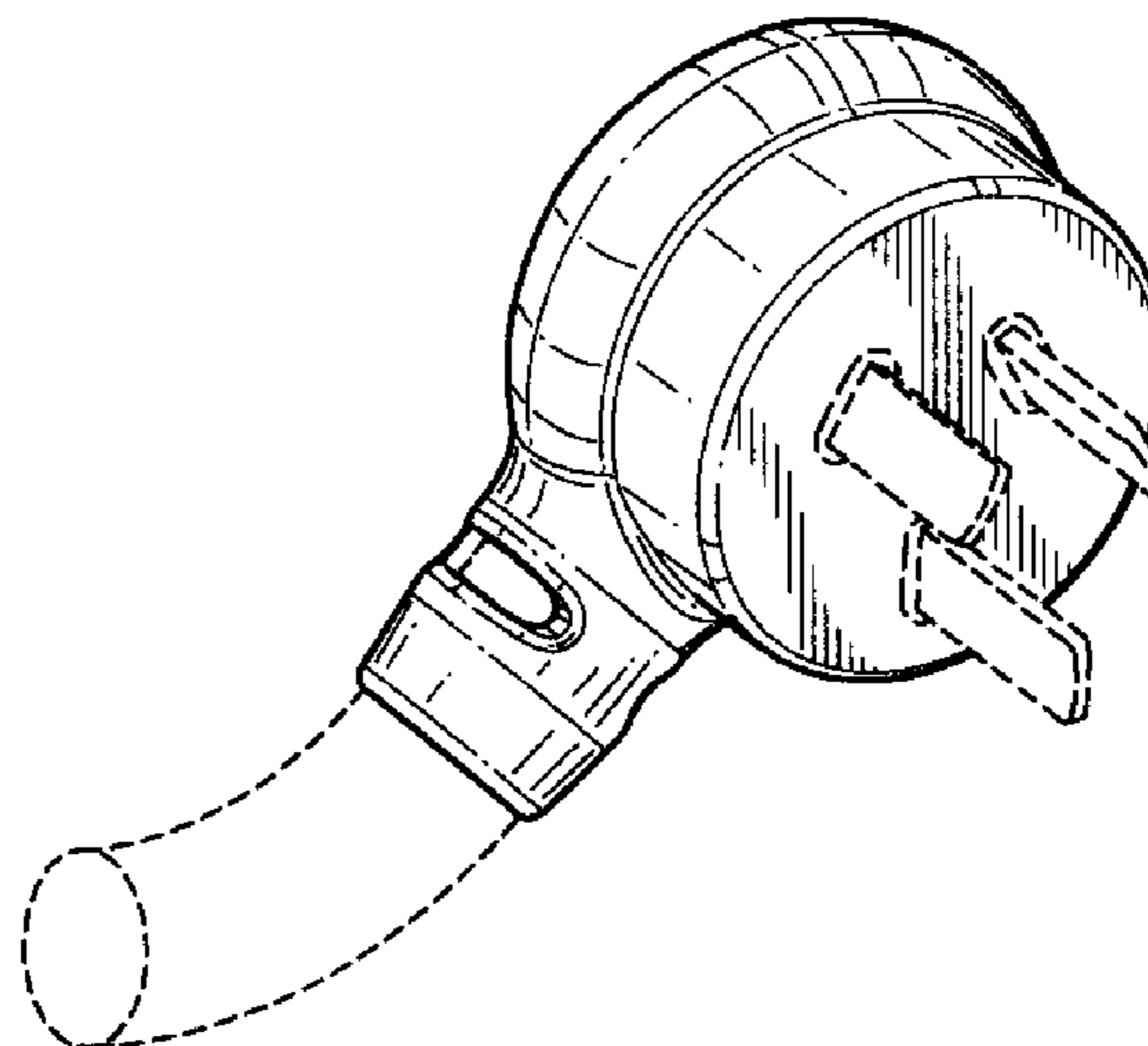
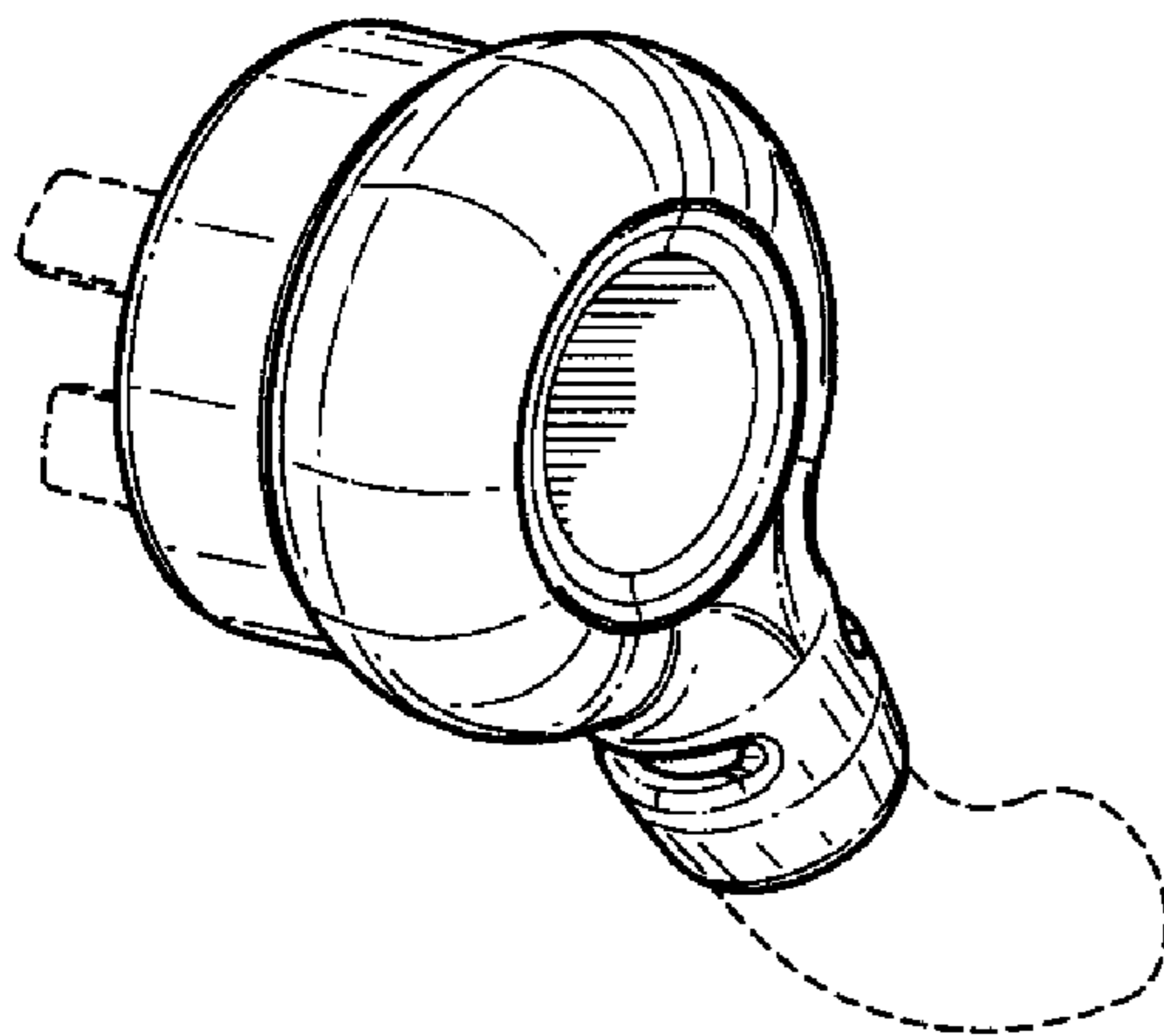


FIG.1

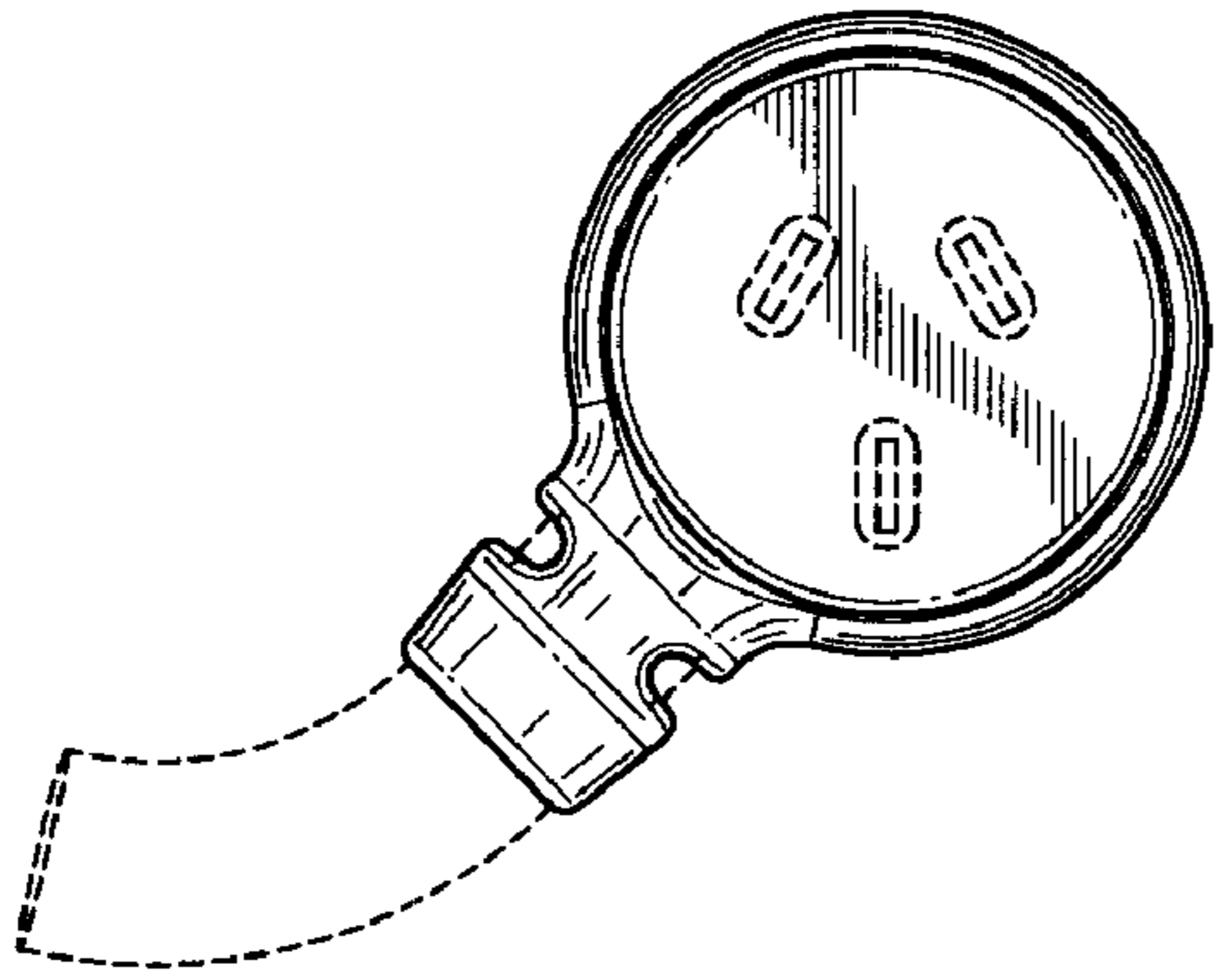


FIG.2

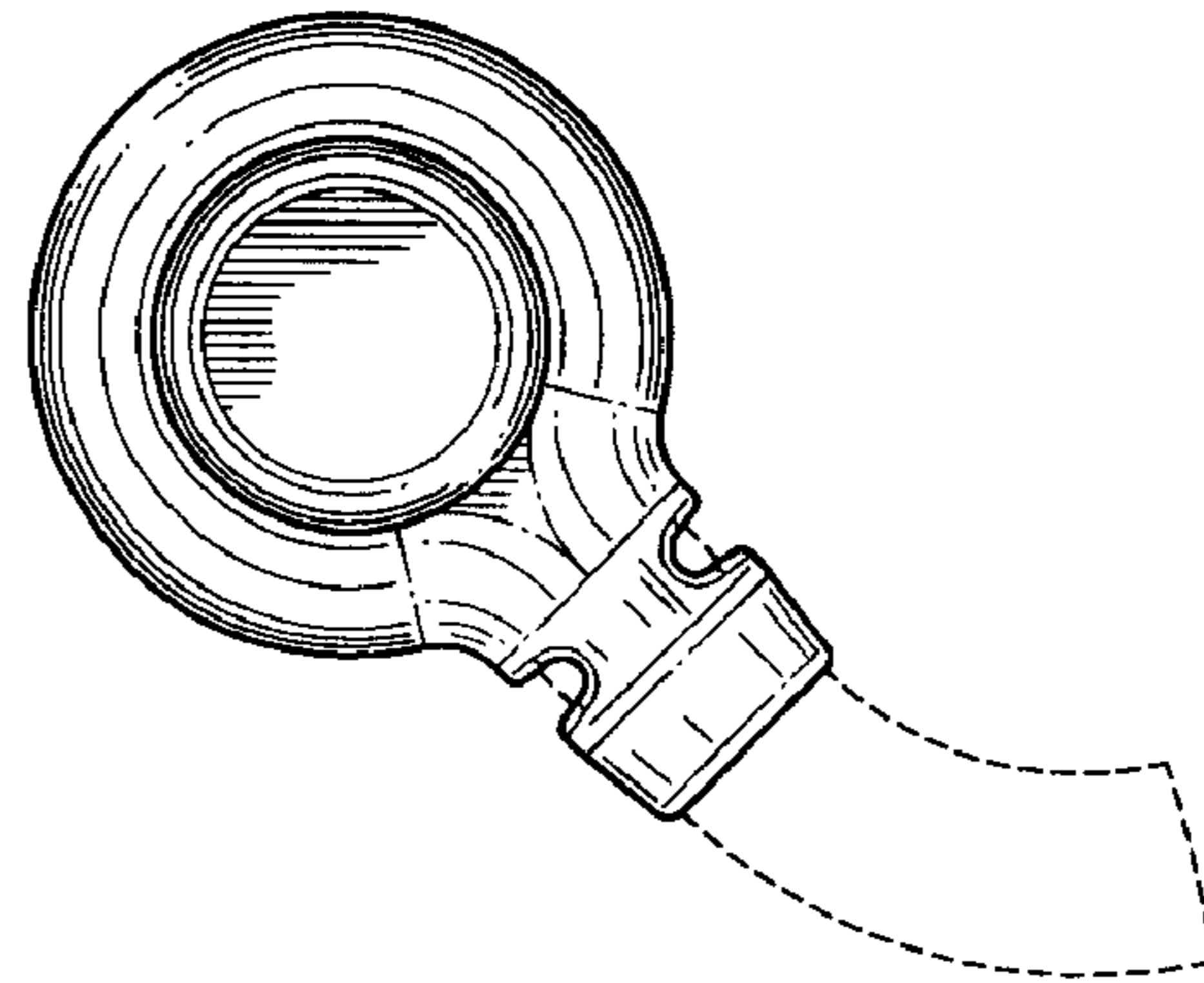


FIG.3

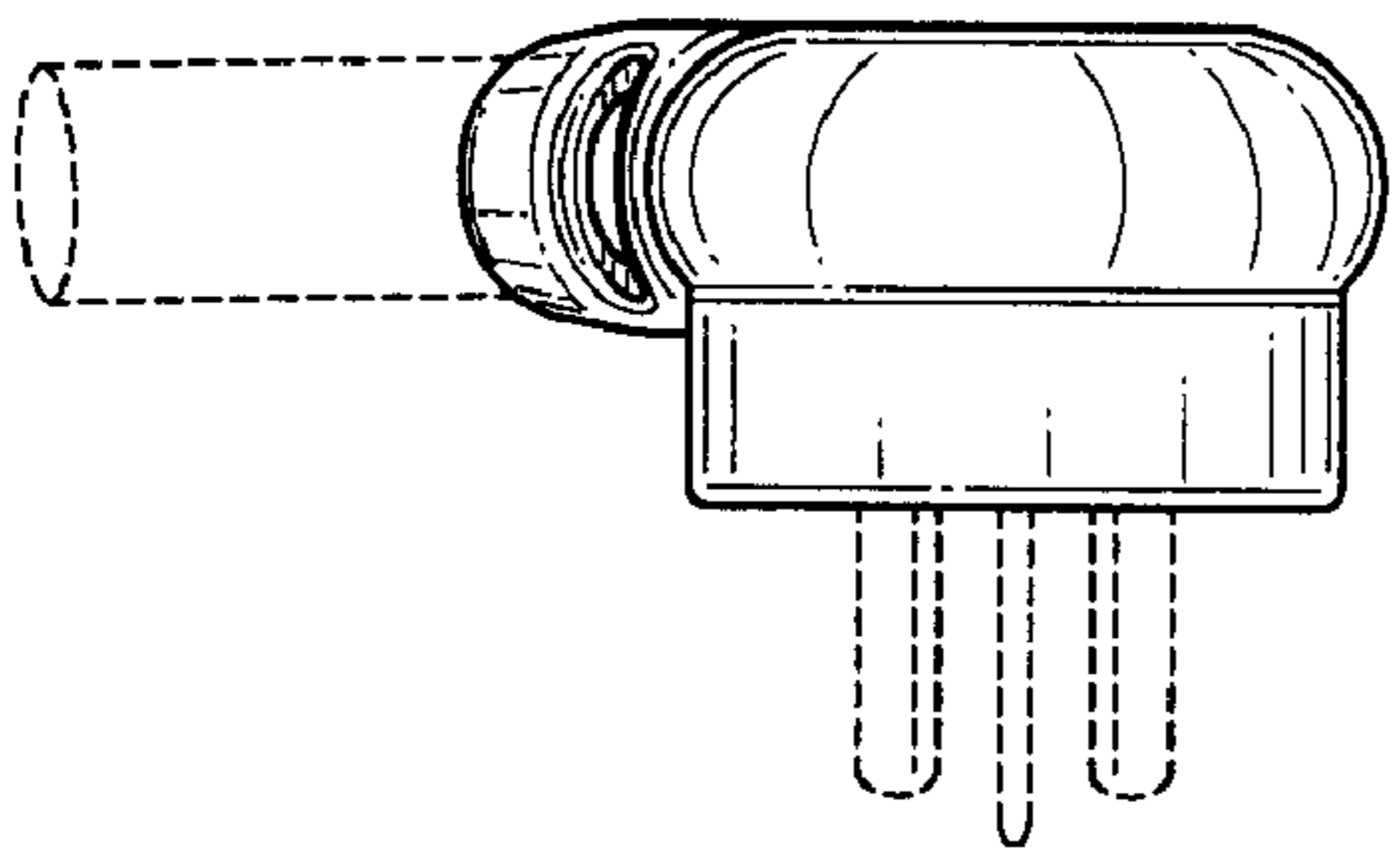


FIG.4

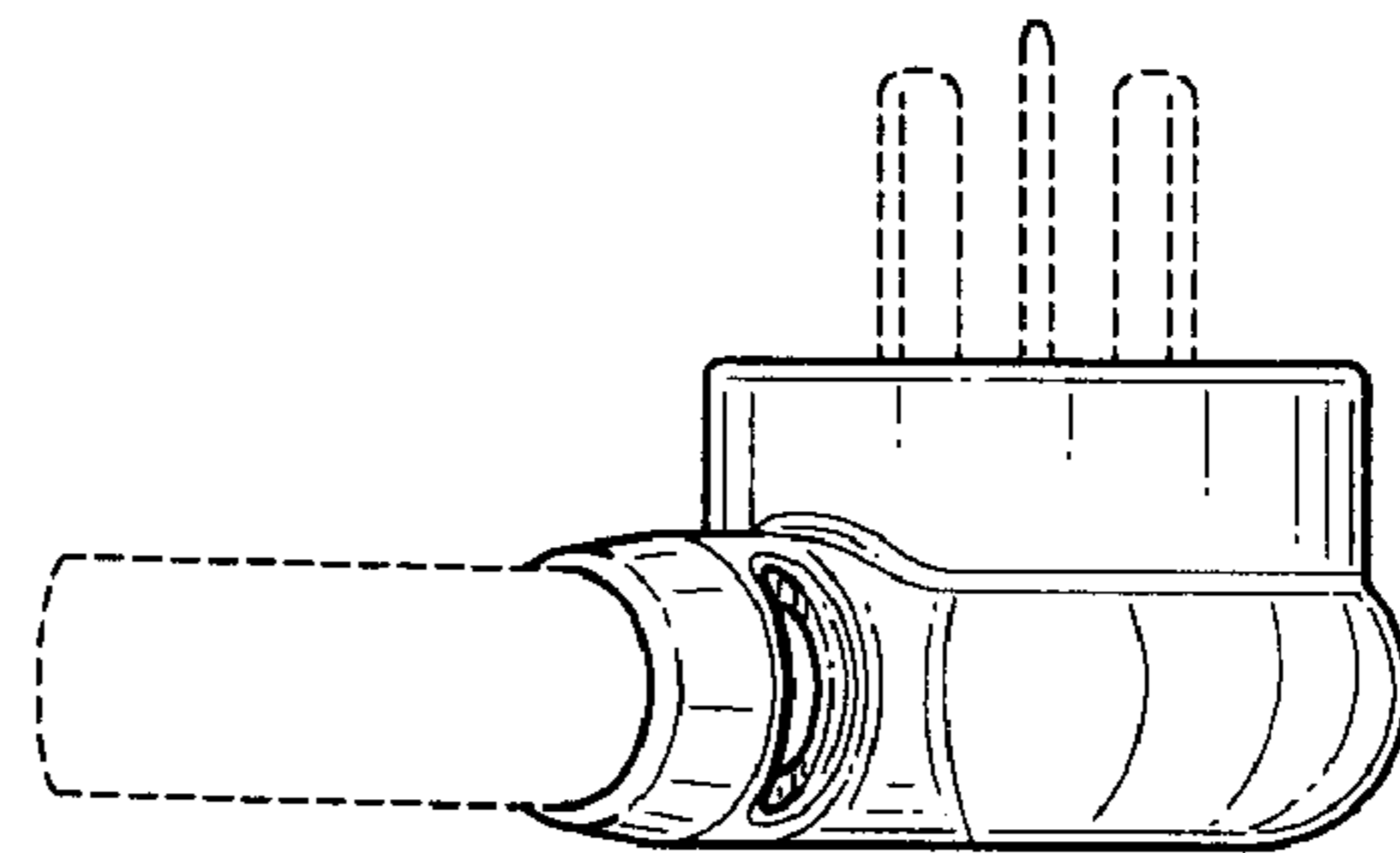


FIG.5

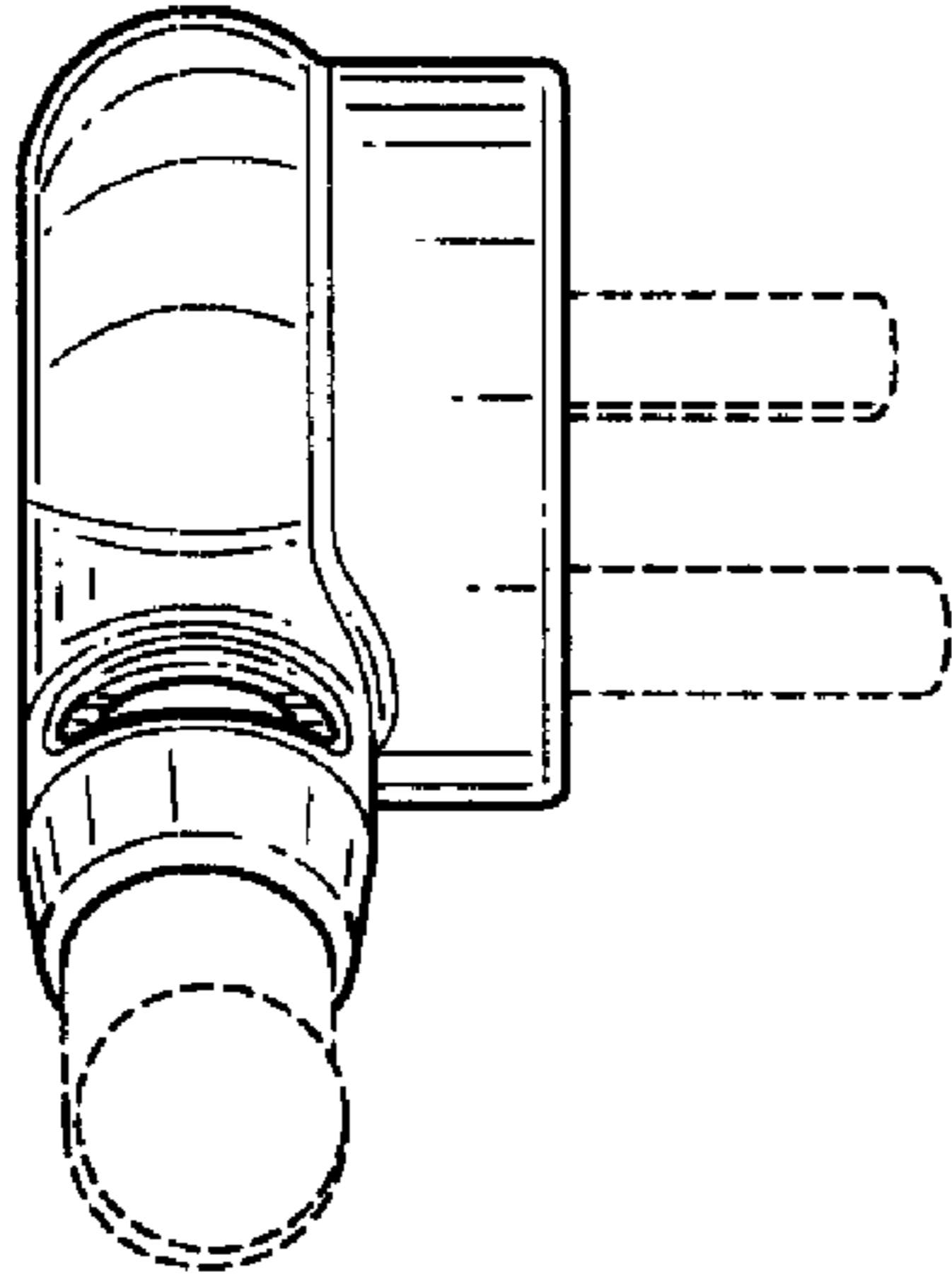


FIG.6

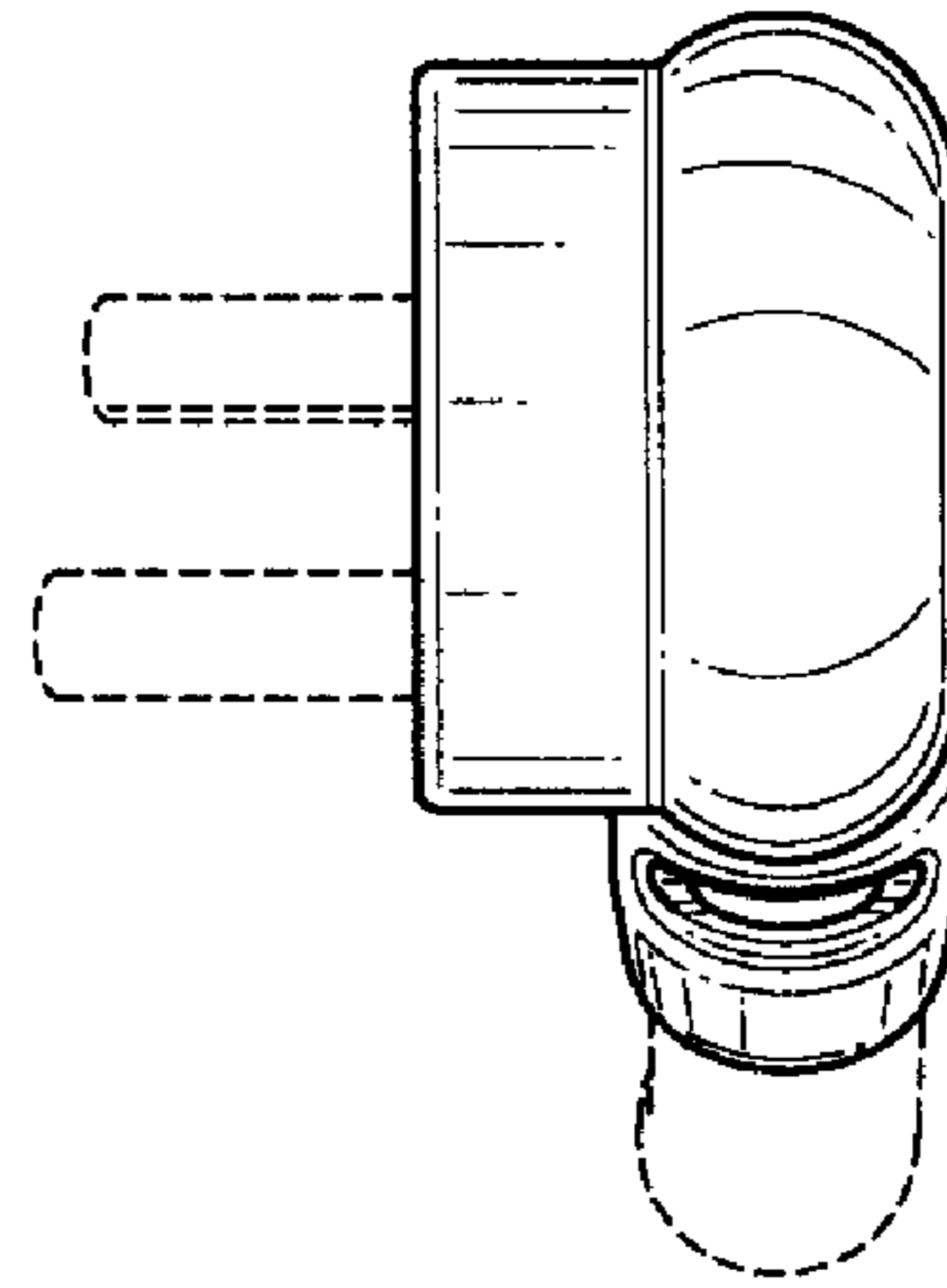


FIG.7

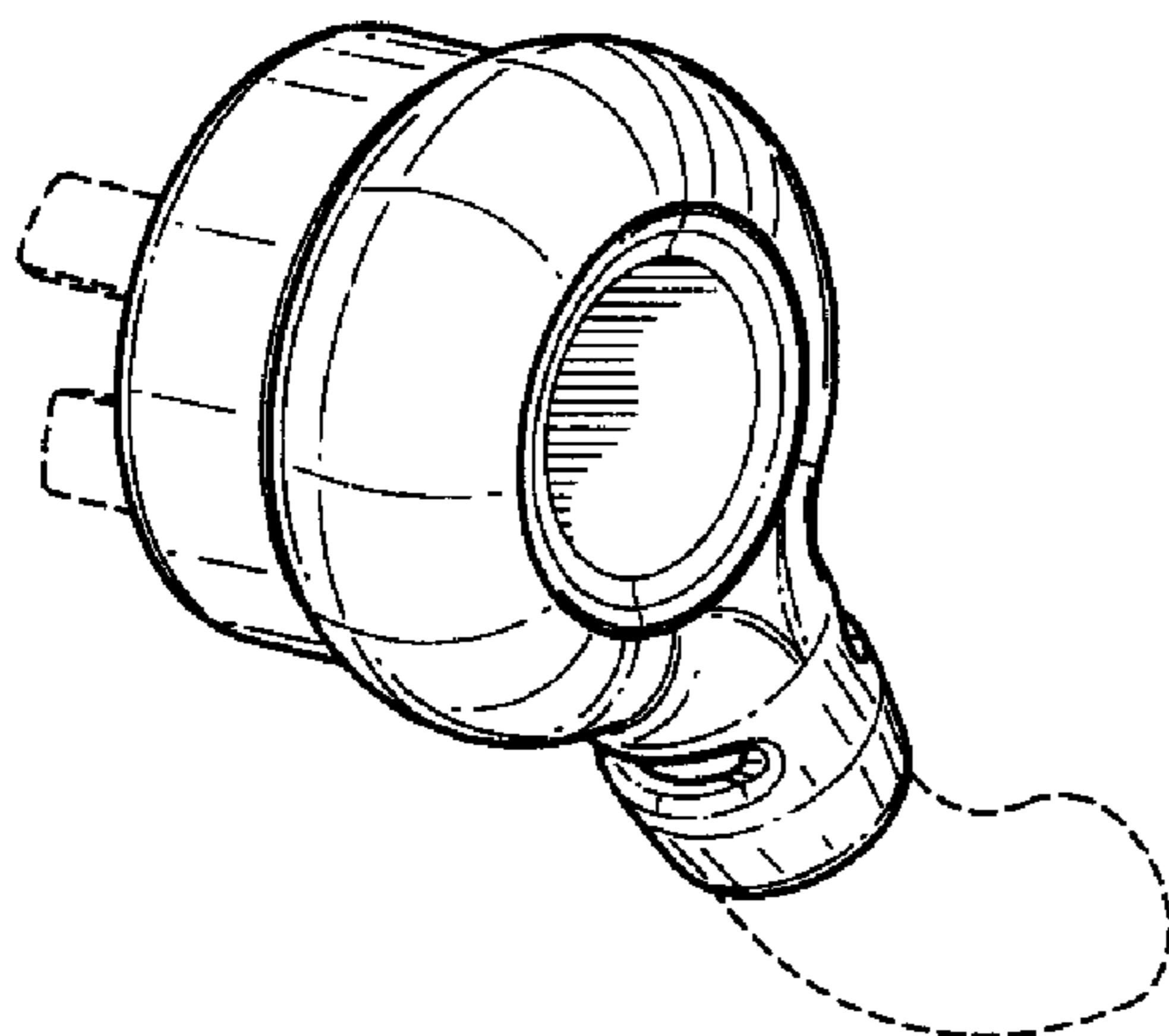


FIG.8

