



US00D535944S

(12) **United States Design Patent**  
**Albano et al.**

(10) **Patent No.:** **US D535,944 S**

(45) **Date of Patent:** **\*\* Jan. 30, 2007**

(54) **UNINTERRUPTIBLE POWER SUPPLY**

5,940,288 A \* 8/1999 Kociecki ..... 363/144  
D458,218 S \* 6/2002 Reynolds ..... D13/110  
D462,658 S \* 9/2002 Reynolds ..... D13/110

(75) Inventors: **Carlo Albano**, Burlington, MA (US);  
**Brian McKenna**, Attleboro, MA (US);  
**Lou Perry**, Acton, MA (US); **David L. Schuttler**, Townsend, MA (US)

\* cited by examiner

(73) Assignee: **American Power Conversion Corporation**, West Kingston, RI (US)

*Primary Examiner*—Stella Reid  
*Assistant Examiner*—Derrick Holland  
(74) *Attorney, Agent, or Firm*—Mintz, Levin, Cohn, Ferris, Glovsky and Popeo, P.C.

(\*\*) Term: **14 Years**

(57) **CLAIM**

(21) Appl. No.: **29/209,855**

The ornamental design for uninterruptible power supply, as shown and described.

(22) Filed: **Jul. 22, 2004**

**DESCRIPTION**

(51) **LOC (8) Cl.** ..... **13-02**

(52) **U.S. Cl.** ..... **D13/110**

(58) **Field of Classification Search** ..... D13/110,  
D13/101, 112, 184, 199; 307/85–87, 110,  
307/150, 151; 361/643, 683–685; 363/146  
See application file for complete search history.

FIG. 1 is a perspective view of uninterruptible power supply, showing our new design;  
FIG. 2 is a front view thereof;  
FIG. 3 is a left side view thereof;  
FIG. 4 top plan view thereof;  
FIG. 5 is a back side view thereof;  
FIG. 6 is a right side view thereof; and,  
FIG. 7 is a bottom view thereof.

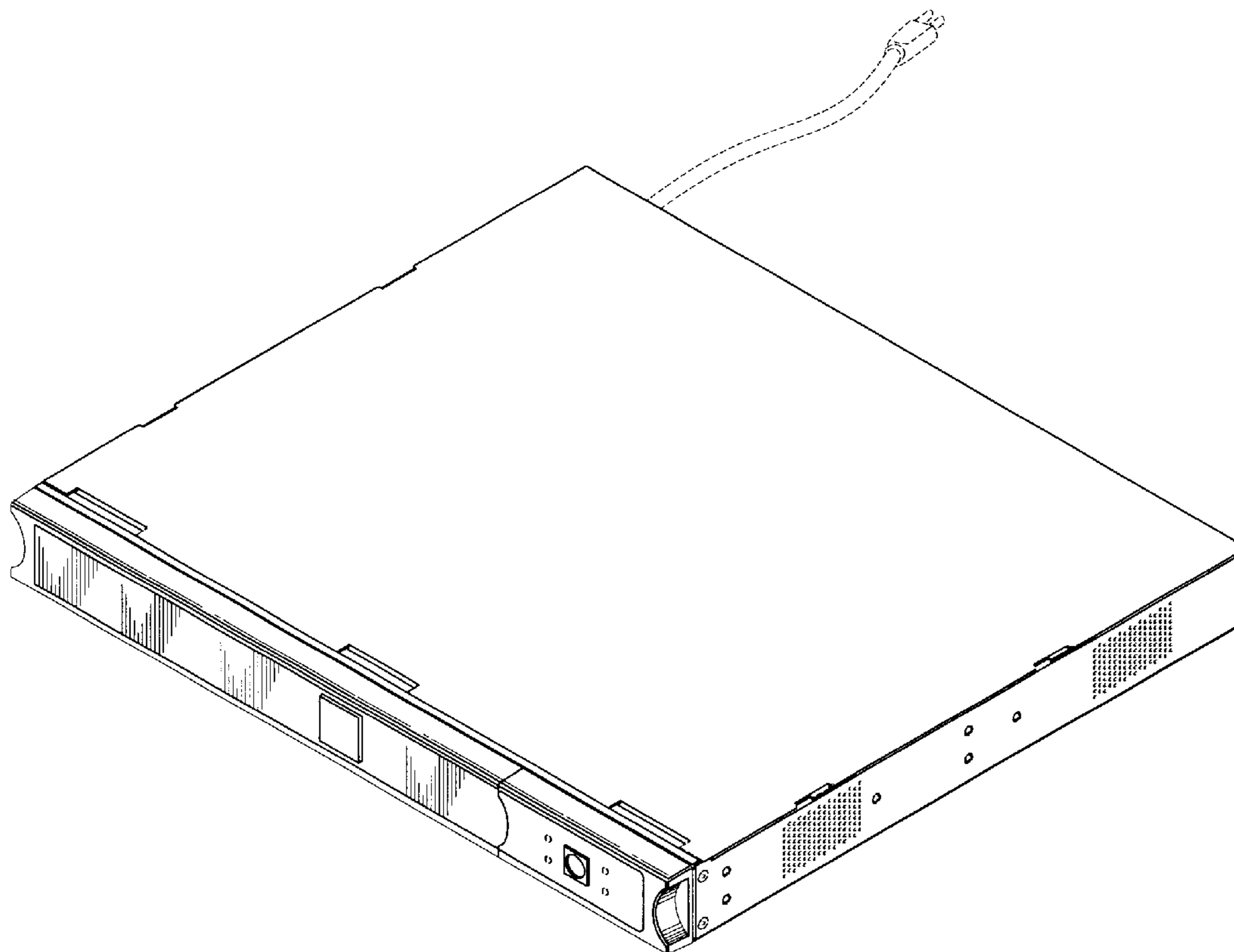
(56) **References Cited**

**U.S. PATENT DOCUMENTS**

D314,183 S \* 1/1991 Wong ..... D13/160  
D354,737 S \* 1/1995 Fladung ..... D13/164  
D381,317 S \* 7/1997 Yu ..... D13/139.4  
5,793,627 A \* 8/1998 Caldes et al. .... 363/146  
D403,662 S \* 1/1999 Caldes et al. .... D13/110

The ornamental design that is claimed is shown in solid lines in the drawings. The broken lines in the drawings are for illustrative purposes only and form no part of the claimed design.

**1 Claim, 3 Drawing Sheets**



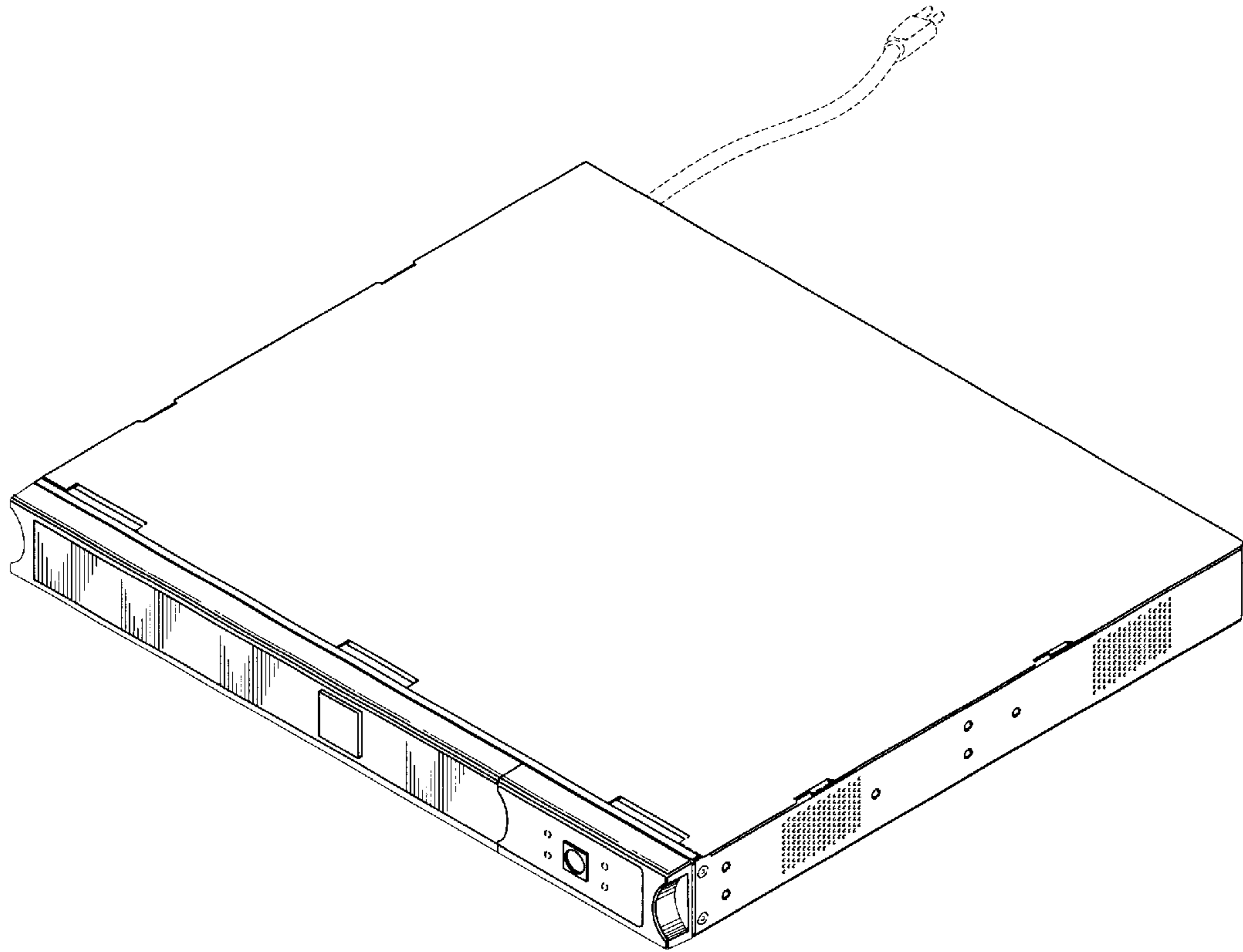


Fig. 1

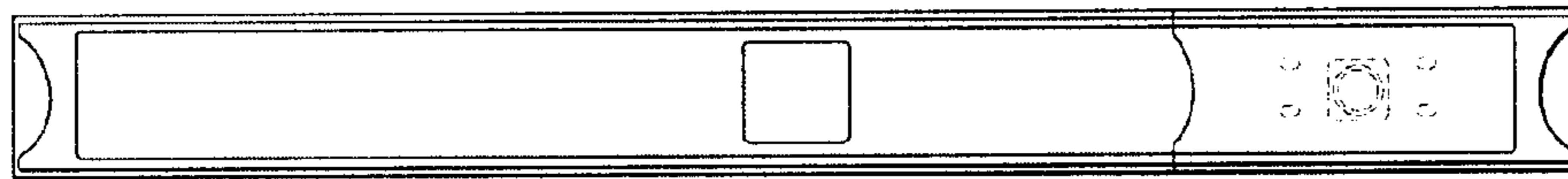


Fig. 2

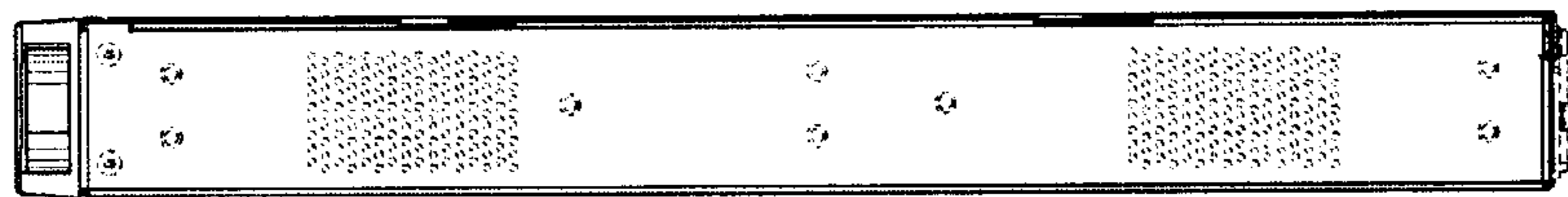


Fig. 3

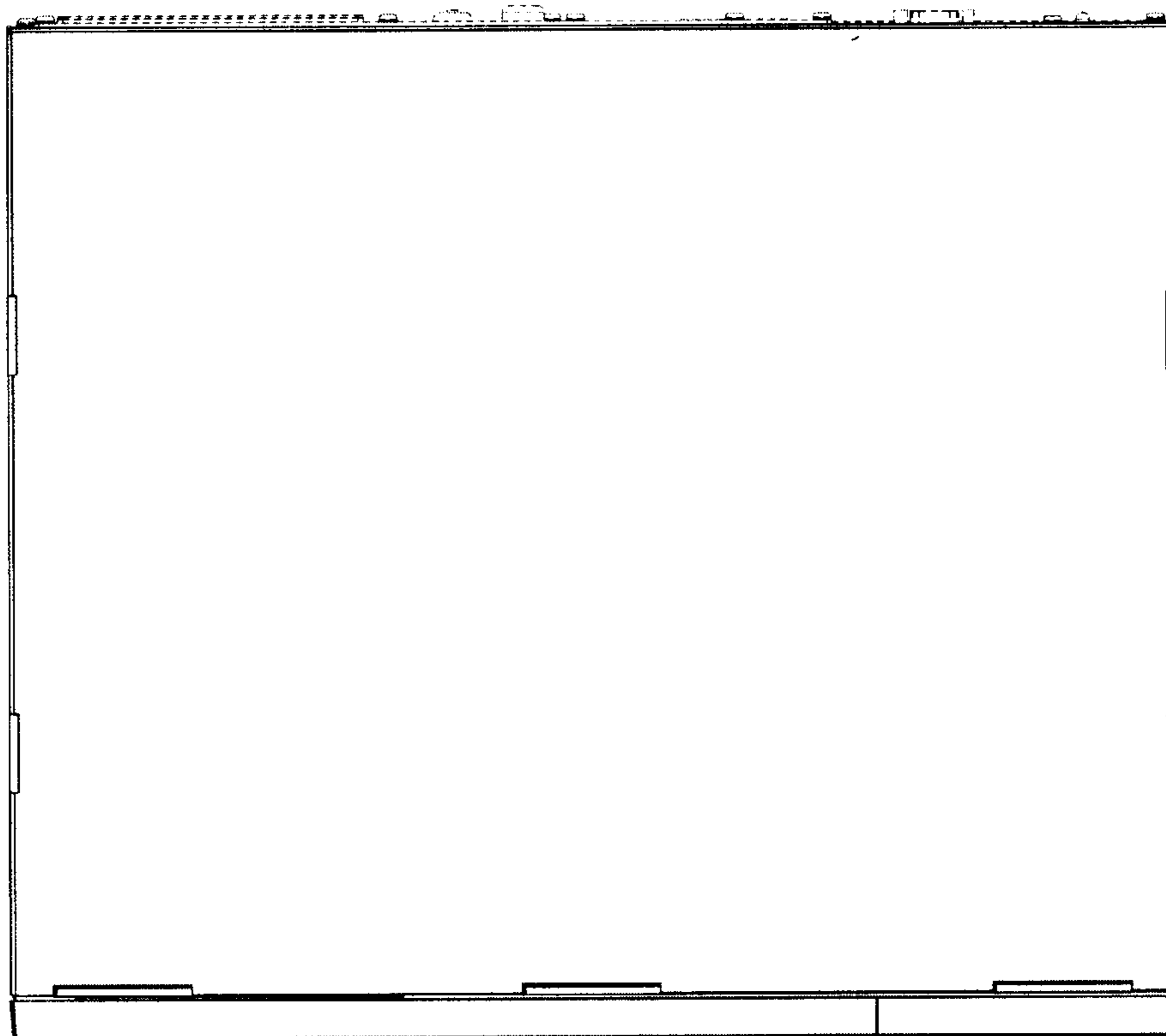


Fig. 4



Fig. 5



Fig. 6

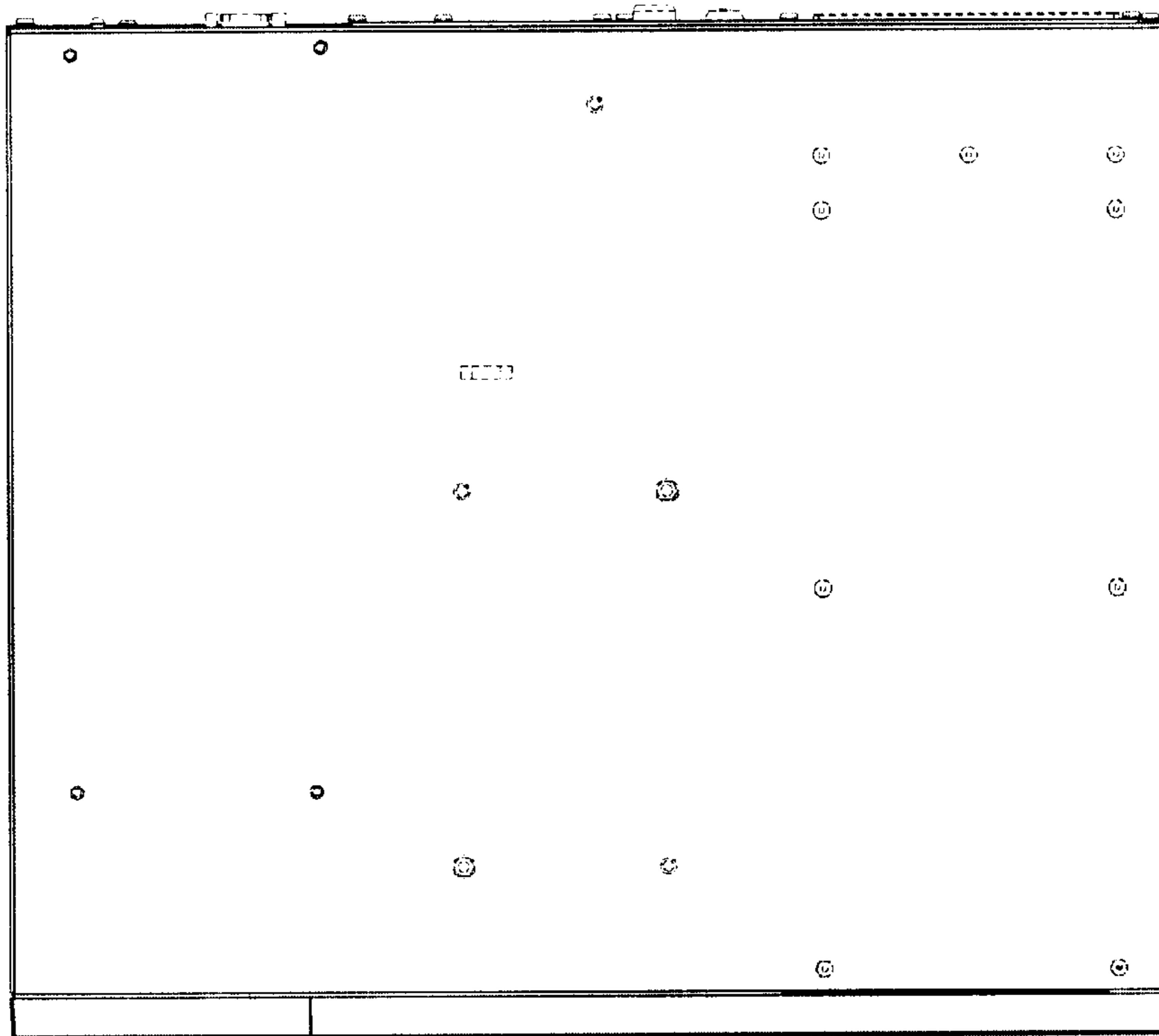


Fig. 7