



US00D535943S

(12) **United States Design Patent**
Kurihara

(10) **Patent No.:** **US D535,943 S**

(45) **Date of Patent:** **** Jan. 30, 2007**

(54) **CHARGER**

(75) Inventor: **Daisuke Kurihara**, Tokyo (JP)

(73) Assignee: **Sony Corporation**, Tokyo (JP)

(**) Term: **14 Years**

(21) Appl. No.: **29/255,939**

(22) Filed: **Mar. 15, 2006**

(51) **LOC (8) Cl.** **13-02**

(52) **U.S. Cl.** **D13/108**

(58) **Field of Classification Search** D13/107-110,
D13/118-119, 184; D14/251, 253, 432, 434;
320/107-115; 455/573

See application file for complete search history.

(56) **References Cited**

U.S. PATENT DOCUMENTS

D346,798 S	*	5/1994	Nagele	D14/149
D350,330 S	*	9/1994	Peterson	D13/107
D362,004 S	*	9/1995	Nakano et al.	D14/253
D422,965 S	*	4/2000	Laufer et al.	D13/108
D428,387 S	*	7/2000	Malloy et al.	D13/107
D445,975 S	*	7/2001	Stratford	D32/31
D472,896 S	*	4/2003	Peiker	D14/253
D483,328 S		12/2003	Suzuki		
D489,324 S		5/2004	Suzuki		
D501,205 S	*	1/2005	Quinn	D14/253

D507,794 S	*	7/2005	Wang et al.	D14/434
D509,789 S		9/2005	Motoishi		
D515,029 S	*	2/2006	Hattori	D13/108
D520,944 S	*	5/2006	Morita	D13/108
D521,928 S	*	5/2006	Shimizu	D13/108
D525,935 S	*	8/2006	Hussaini et al.	D13/108

FOREIGN PATENT DOCUMENTS

JP D1252899 S 10/2005

* cited by examiner

Primary Examiner—Alan P. Douglas

Assistant Examiner—Rosemary K. Tarcza

(74) *Attorney, Agent, or Firm*—Rader, Fishman & Grauer PLLC

(57) **CLAIM**

The ornamental design for a charger, as shown.

DESCRIPTION

FIG. 1 is a perspective view of a charger showing my new design;

FIG. 2 is a front elevational view thereof;

FIG. 3 is a rear elevational view thereof;

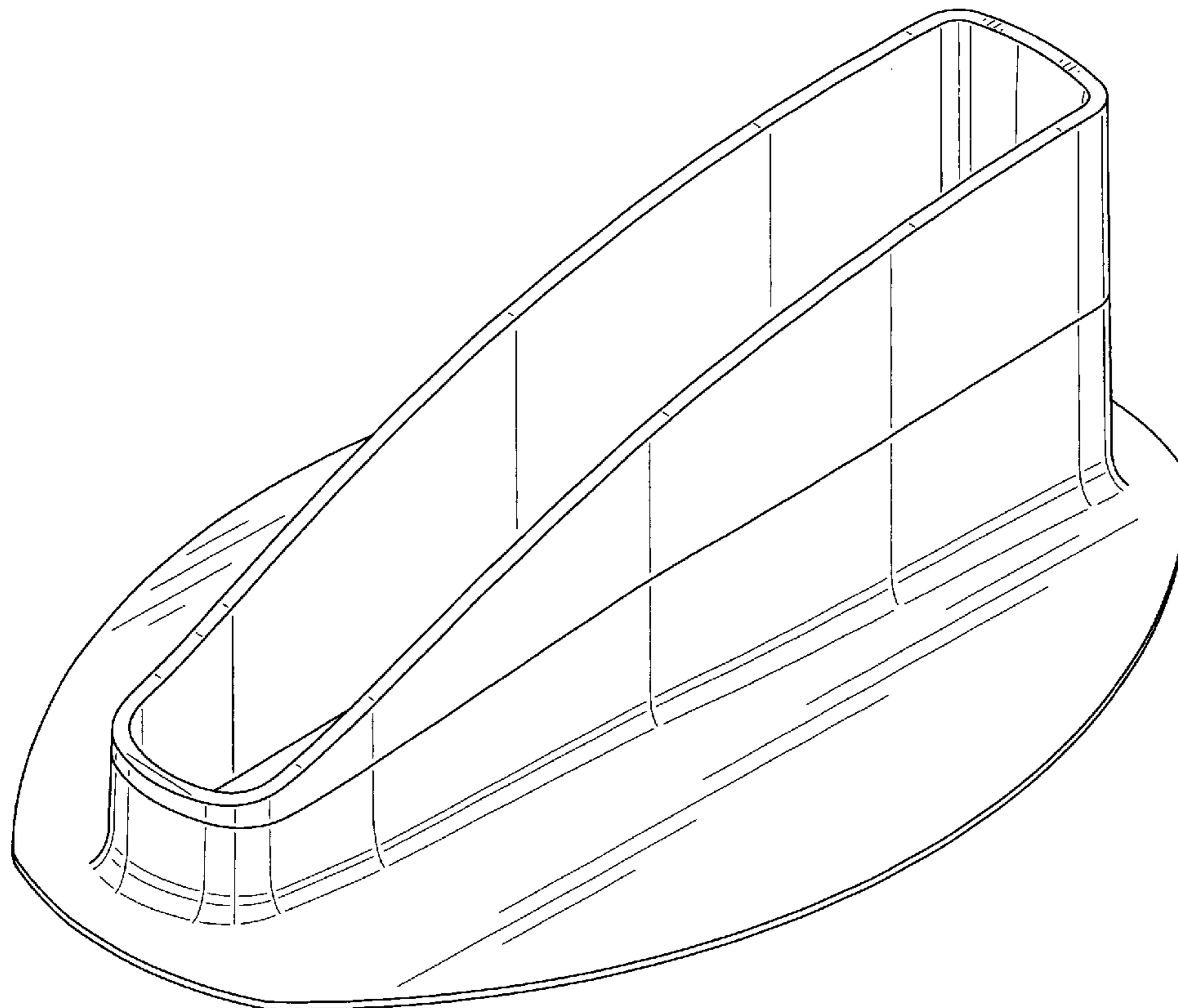
FIG. 4 is a left side elevational view thereof;

FIG. 5 is a right side elevational view thereof;

FIG. 6 is a top plan view thereof; and,

FIG. 7 is a bottom plan view thereof.

1 Claim, 7 Drawing Sheets



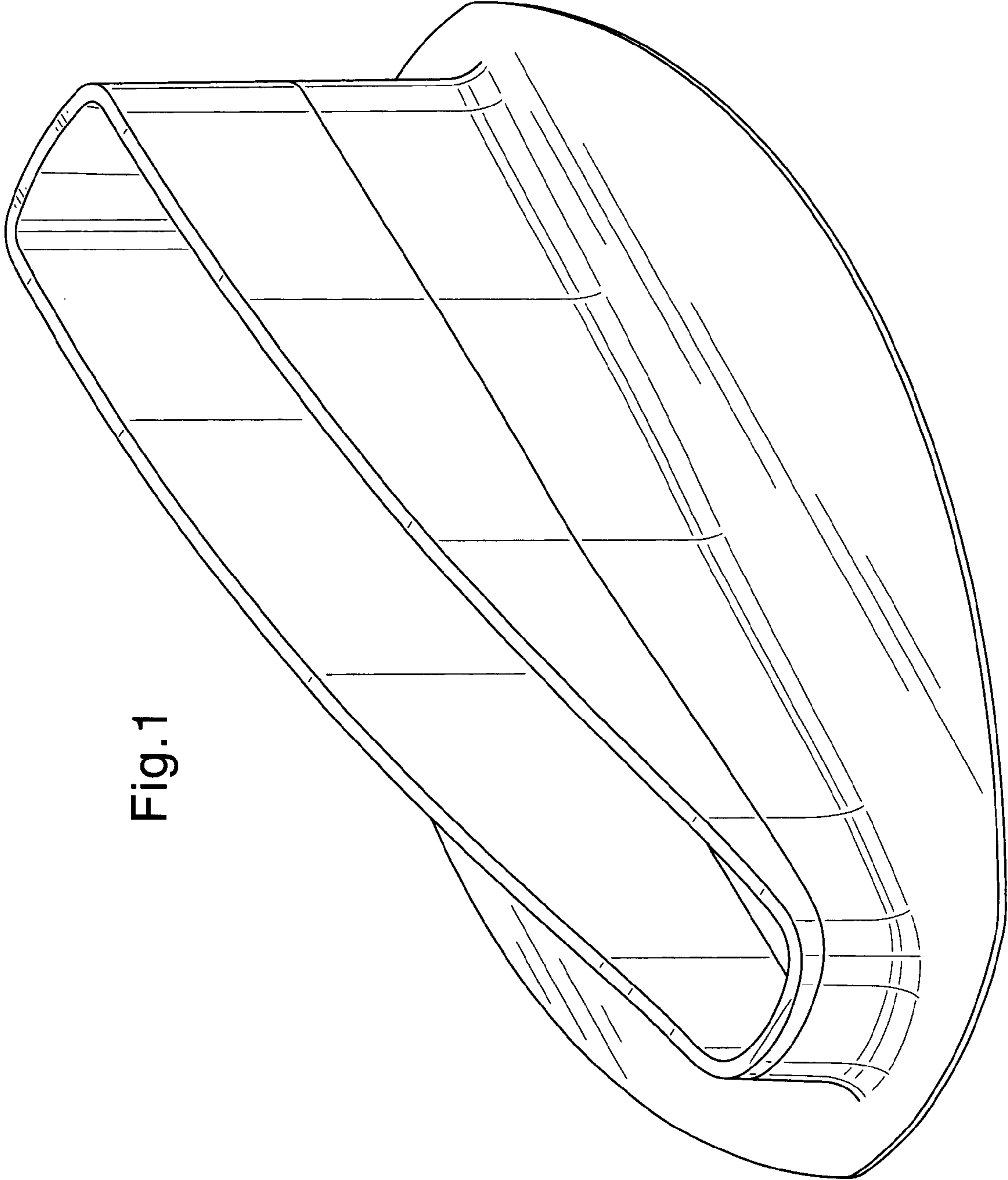


Fig.1

Fig.2

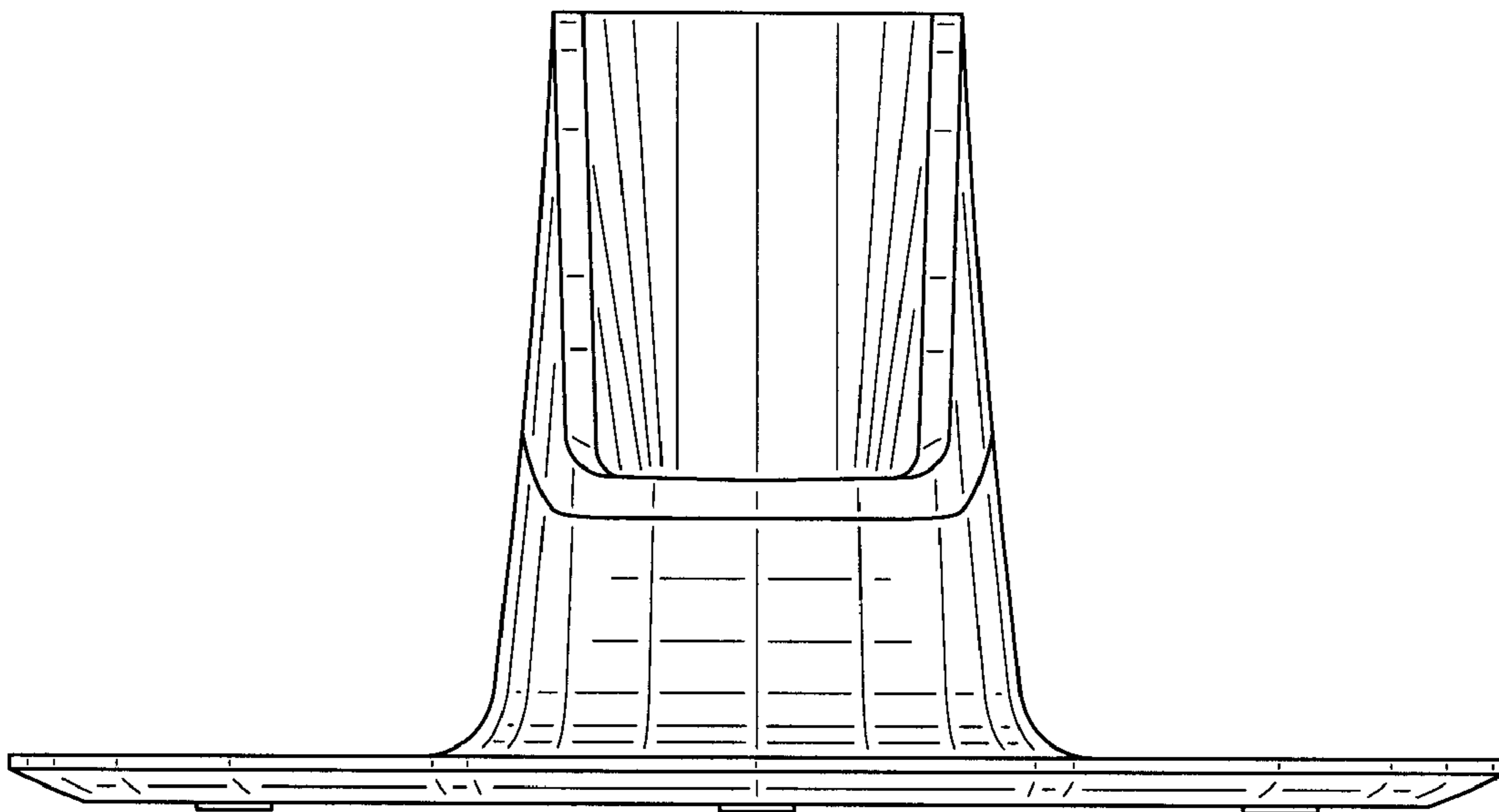


Fig.3

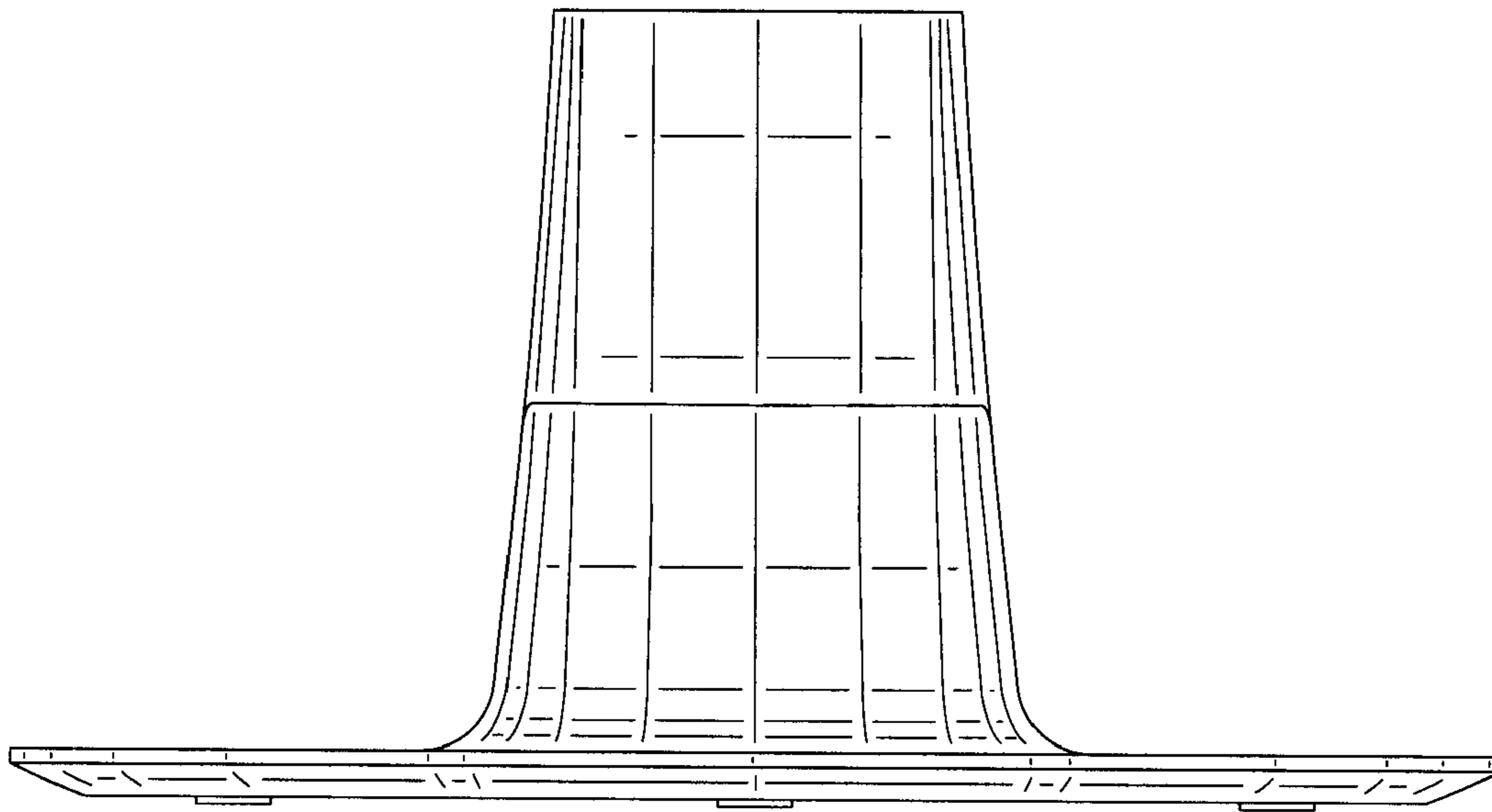


Fig. 4

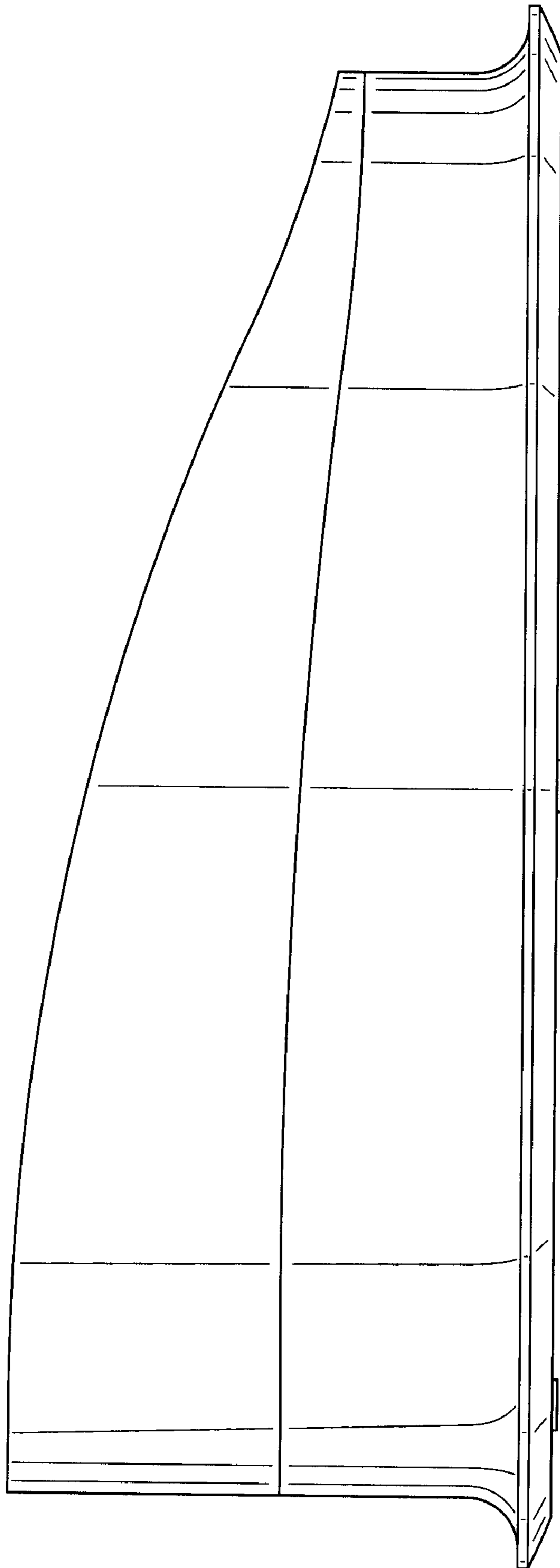


Fig.5

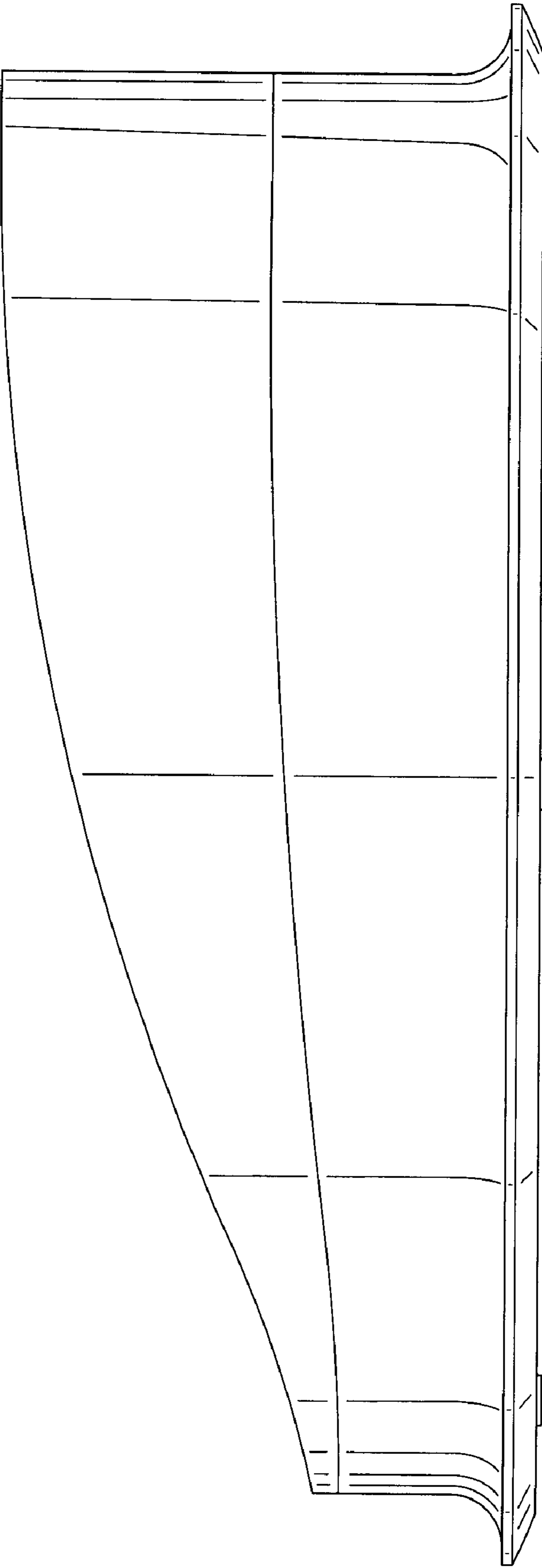


Fig.6

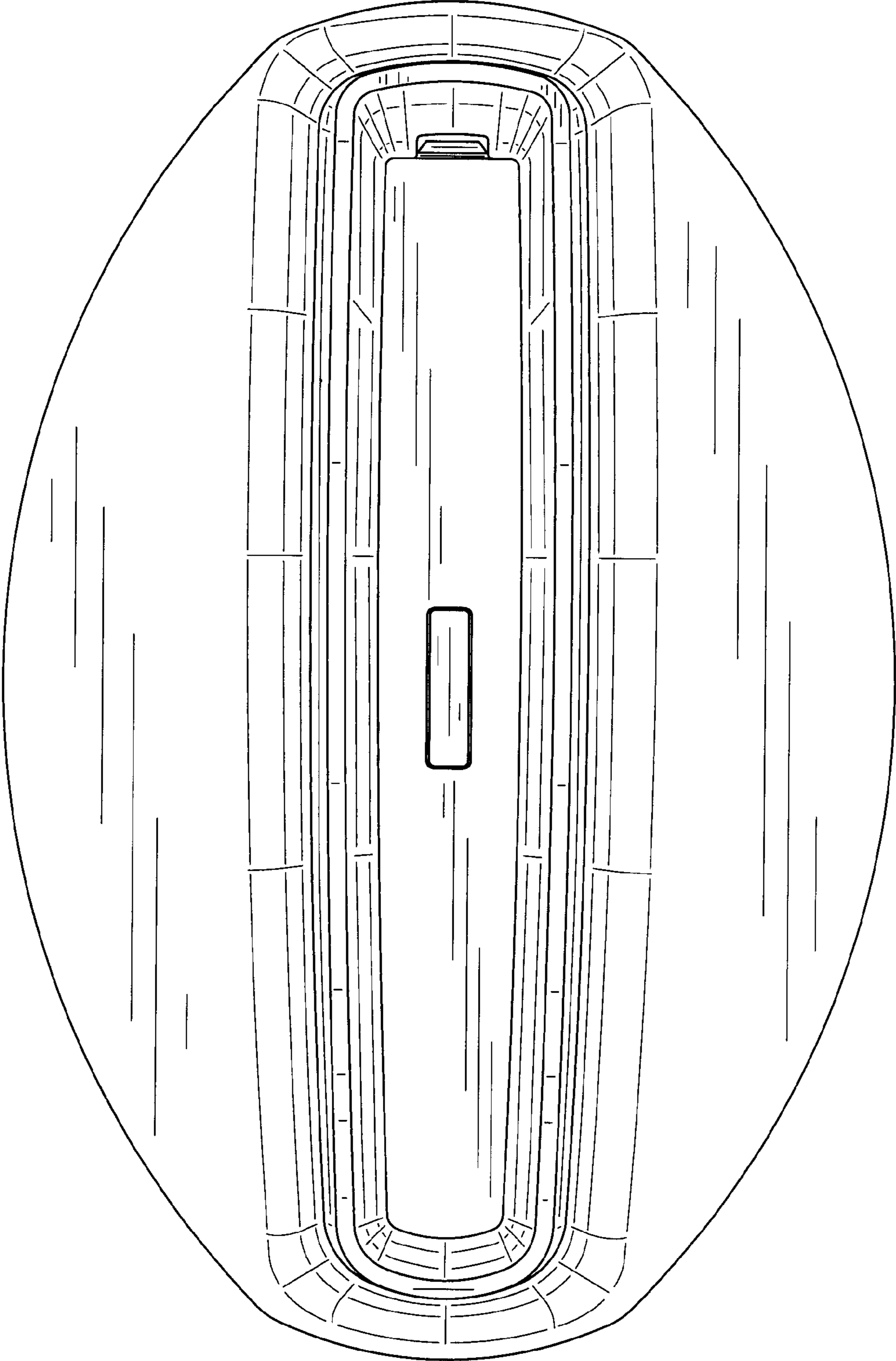


Fig.7

