



US00D535942S

(12) **United States Design Patent**  
**Kim**

(10) **Patent No.:** **US D535,942 S**

(45) **Date of Patent:** **\*\* Jan. 30, 2007**

(54) **CHARGER FOR MOBILE PHONE**

D512,418 S \* 12/2005 Sarasjoki ..... D14/253  
D520,013 S \* 5/2006 Yang ..... D14/434

(75) Inventor: **Dong Eun Kim**, Seoul (KR)

\* cited by examiner

(73) Assignee: **LG Electronics Inc.**, Seoul (KR)

*Primary Examiner*—Alan P. Douglas

(\*\*) Term: **14 Years**

*Assistant Examiner*—Rosemary K. Tarcza

(21) Appl. No.: **29/235,494**

(74) *Attorney, Agent, or Firm*—Birch, Stewart, Kolasch, & Birch, LLP

(22) Filed: **Aug. 3, 2005**

(57) **CLAIM**

(30) **Foreign Application Priority Data**

The ornamental design for a charger for mobile phone, as shown and described.

Feb. 4, 2005 (KR) ..... 30-2005-0004046

**DESCRIPTION**

(51) **LOC (8) Cl.** ..... **13-02**

(52) **U.S. Cl.** ..... **D13/108**

(58) **Field of Classification Search** ..... D13/106–110,  
D13/118–119, 184; D14/251, 253, 432, 434;  
320/107–115

See application file for complete search history.

FIG. 1 is a perspective view of a charger for mobile phone showing my new design;

FIG. 2 is a front view thereof;

FIG. 3 is a rear view thereof;

FIG. 4 is a left side view thereof;

FIG. 5 is a right side view thereof;

FIG. 6 is a top plan view thereof;

FIG. 7 is a bottom plan view thereof; and,

FIG. 8 is a front view showing an example of the usage of the subject design.

The broken line showing is for illustrative purposes only and forms no part of the claimed design.

(56) **References Cited**

**U.S. PATENT DOCUMENTS**

D323,504 S \* 1/1992 Langton ..... D14/142  
D454,131 S \* 3/2002 Lord ..... D14/434  
D472,900 S \* 4/2003 Matsumoto ..... D14/447  
D483,016 S \* 12/2003 Ma et al. .... D13/108  
D512,066 S \* 11/2005 Solomon et al. .... D14/434

**1 Claim, 5 Drawing Sheets**

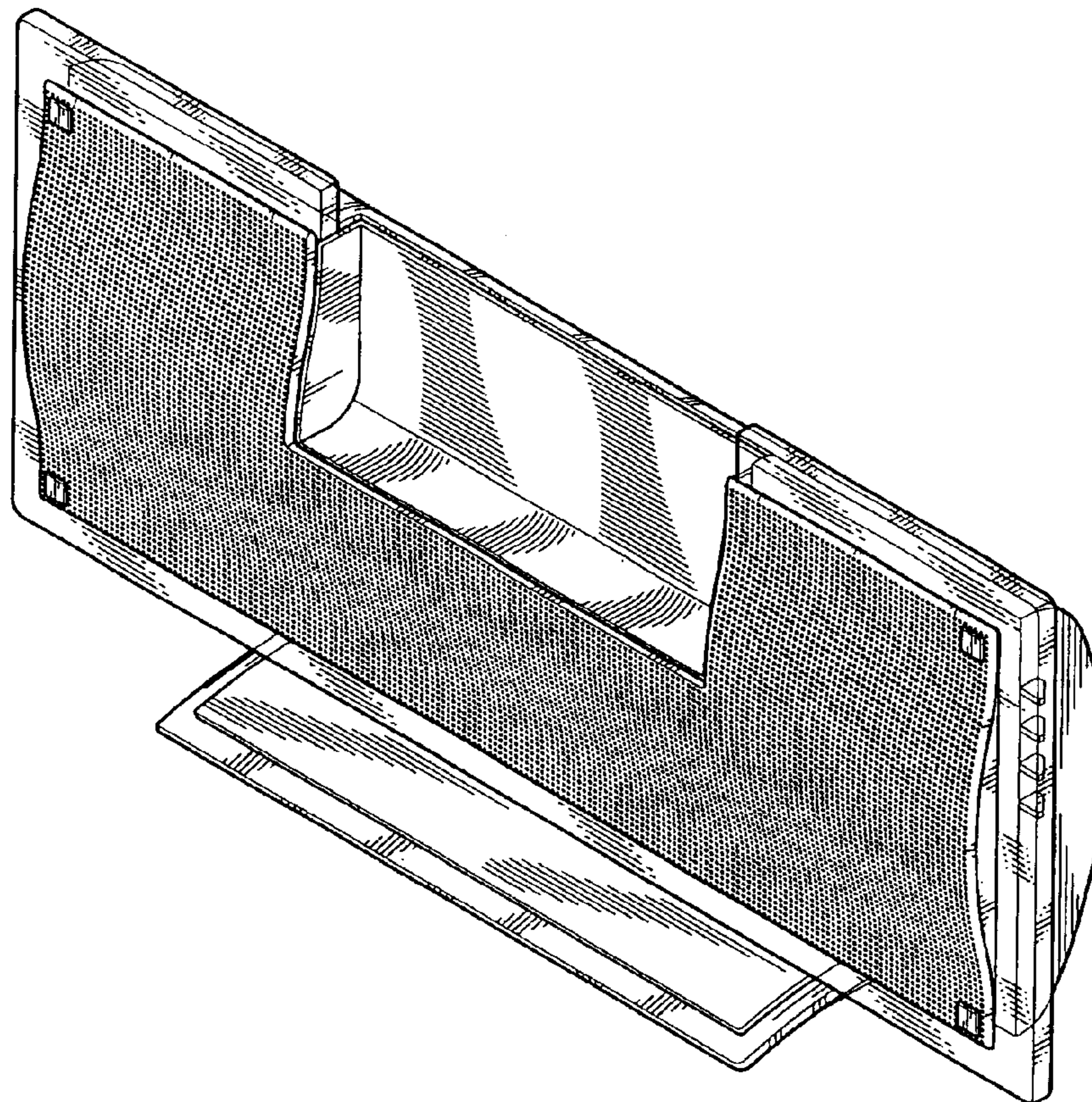




FIG. 1

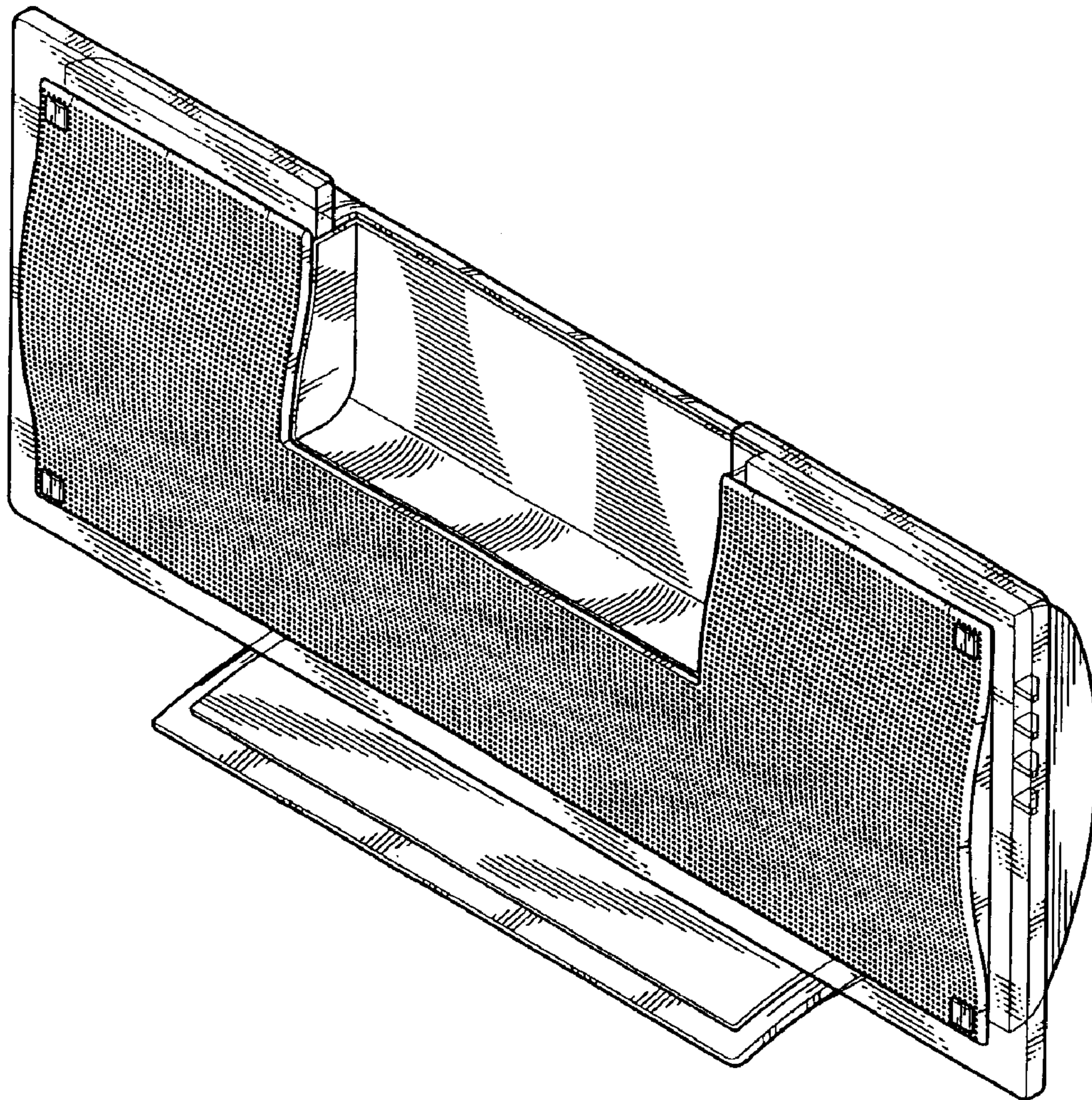


FIG. 2

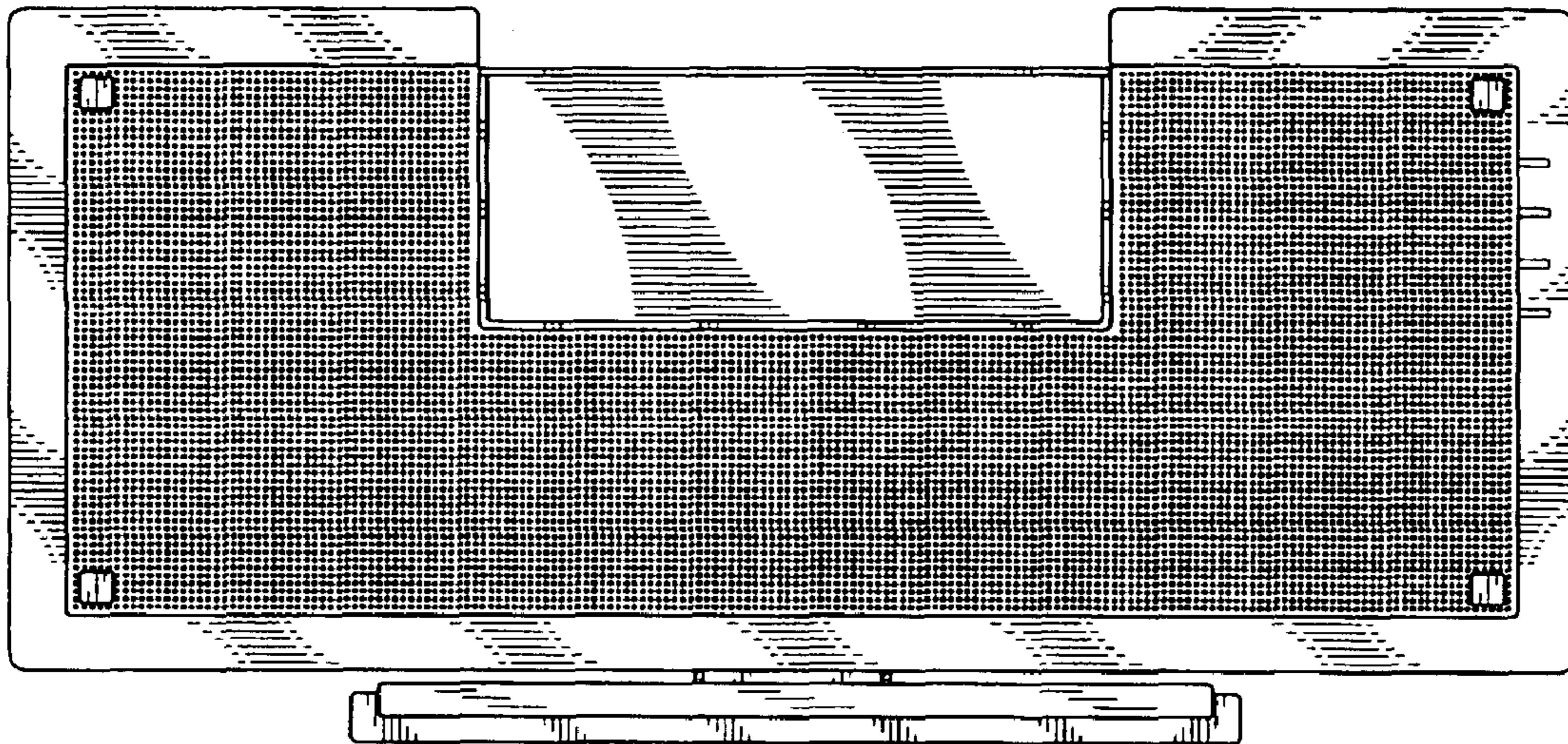


FIG. 3

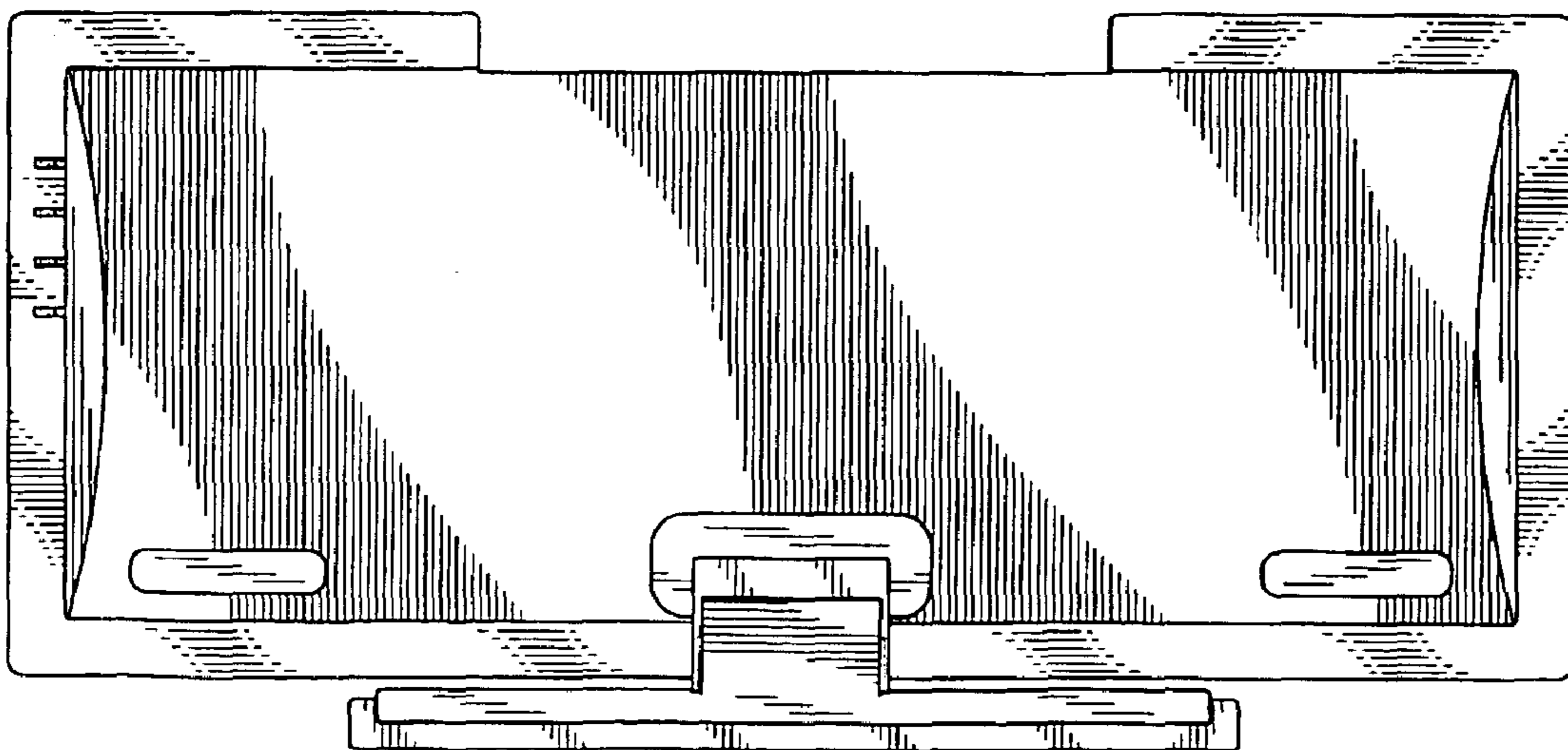




FIG. 4

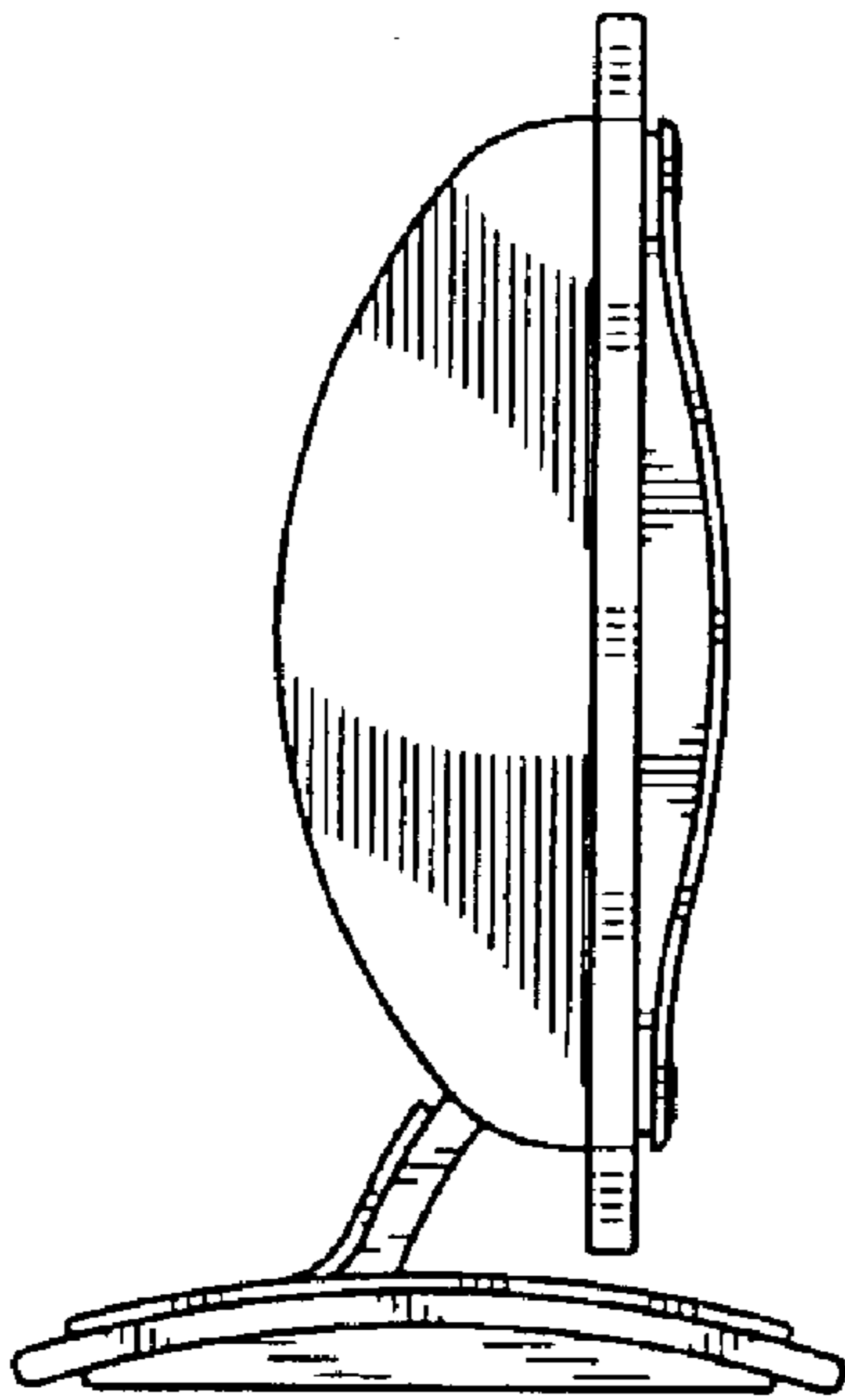


FIG. 5

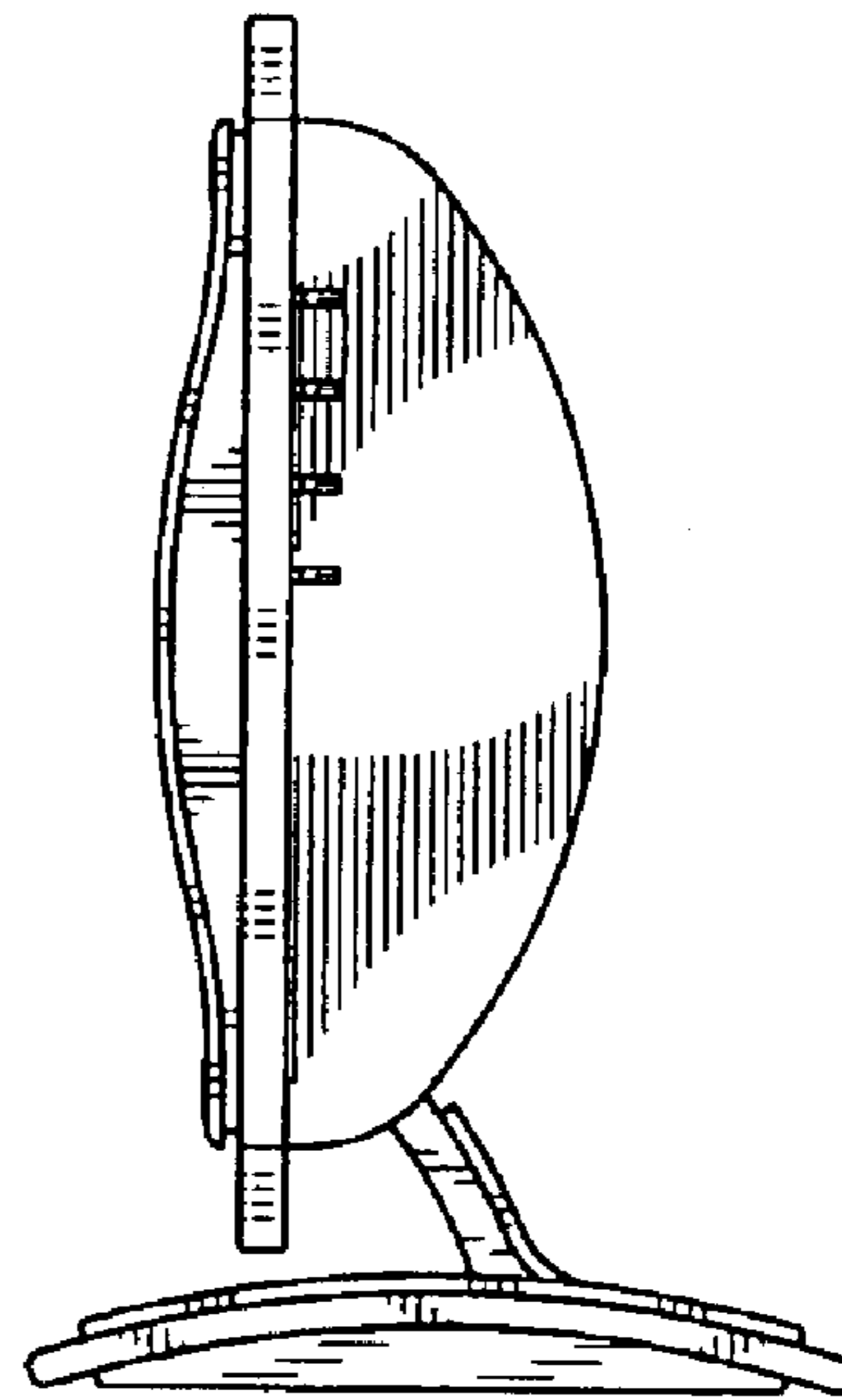


FIG. 6

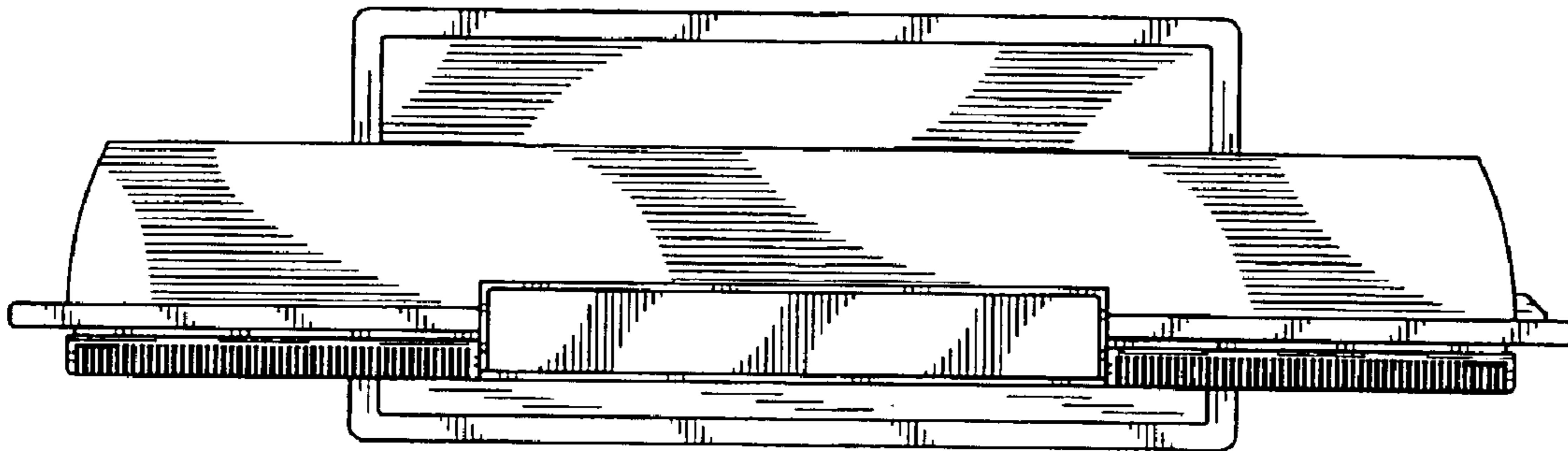


FIG. 7

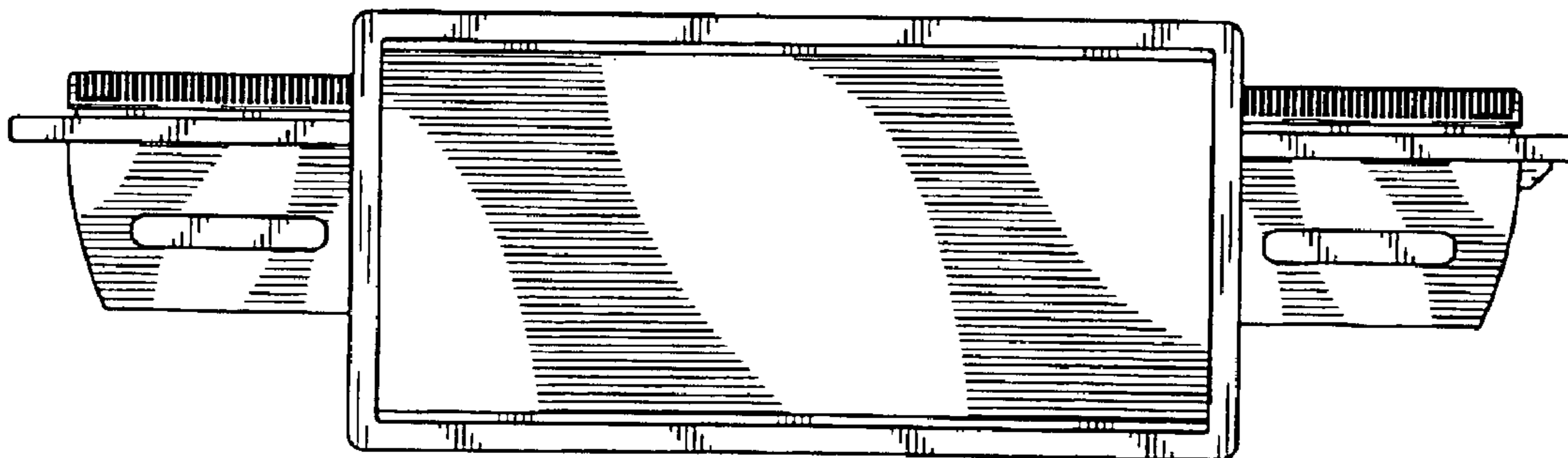


FIG. 8

