



US00D535936S

(12) **United States Design Patent**  
**Greene**

(10) **Patent No.:** **US D535,936 S**

(45) **Date of Patent:** **\*\* Jan. 30, 2007**

(54) **TRUCK BOX**

(75) Inventor: **Michael Greene**, Reno, NV (US)

(73) Assignee: **Thinking Outside, L.L.P.**, Detroit, MI (US)

(\*\*) Term: **14 Years**

(21) Appl. No.: **29/204,126**

(22) Filed: **Apr. 23, 2004**

(51) **LOC (8) Cl.** ..... **12-99**

(52) **U.S. Cl.** ..... **D12/414.1**

(58) **Field of Classification Search** ..... D12/44,  
D12/157, 413, 414, 423, 414.1; D3/38, 905;  
224/404, 42.11, 42.42; 296/37.6; D9/428  
See application file for complete search history.

(56) **References Cited**

**U.S. PATENT DOCUMENTS**

D260,633 S	*	9/1981	Gorman	.....	D12/414.1
D285,673 S	*	9/1986	Waters	.....	D12/414.1
4,770,330 A	*	9/1988	Bonstead et al.	.....	224/404
D308,486 S	*	6/1990	Willson	.....	D9/432
D317,720 S	*	6/1991	Fielder	.....	D12/414.1
D317,868 S	*	7/1991	Fielder	.....	D12/414.1

D369,140 S	*	4/1996	Sills	.....	D12/414.1
D369,342 S	*	4/1996	Williams	.....	D12/414.1
D403,654 S	*	1/1999	Houry	.....	D12/414.1
D488,428 S	*	4/2004	Greene	.....	D12/414.1
D515,314 S	*	2/2006	Stantial	.....	D3/295

\* cited by examiner

*Primary Examiner*—Caron D. Veynar

*Assistant Examiner*—Karen E. Eldridge Powers

(74) *Attorney, Agent, or Firm*—Townsend and Townsend and Crew LLP

(57) **CLAIM**

The ornamental design for a truck box, as shown and described.

**DESCRIPTION**

FIG. 1 is a perspective view of a truck box showing my new design;

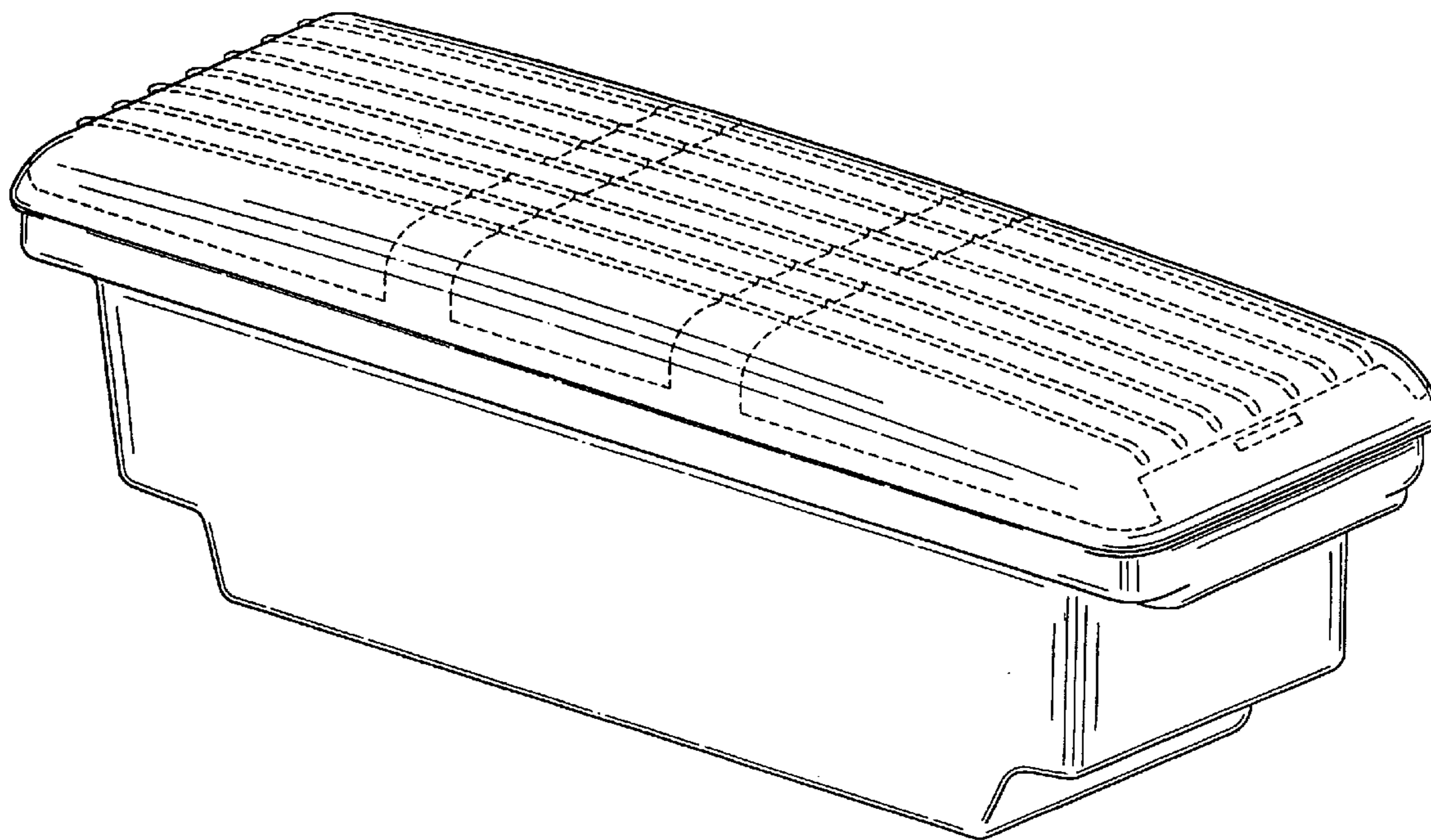
FIG. 2 is a front elevational view thereof;

FIG. 3 is a top plan view thereof; and,

FIG. 4 is a left side elevational view, the right side elevational view being a mirror image thereof.

The broken lines shown in FIGS. 1–4 are for illustrative purposes only and form no part of the claimed design.

**1 Claim, 4 Drawing Sheets**



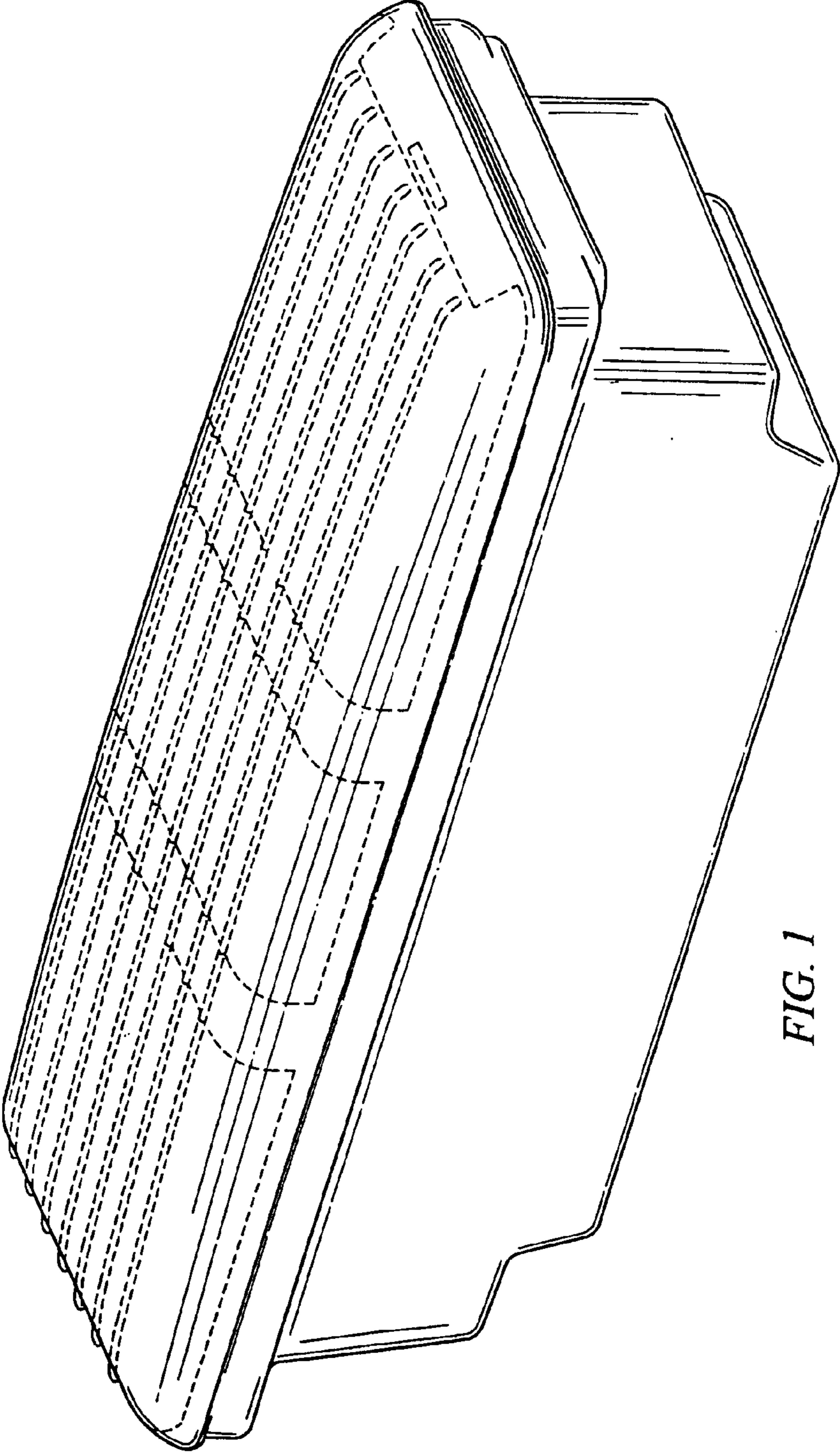


FIG. 1

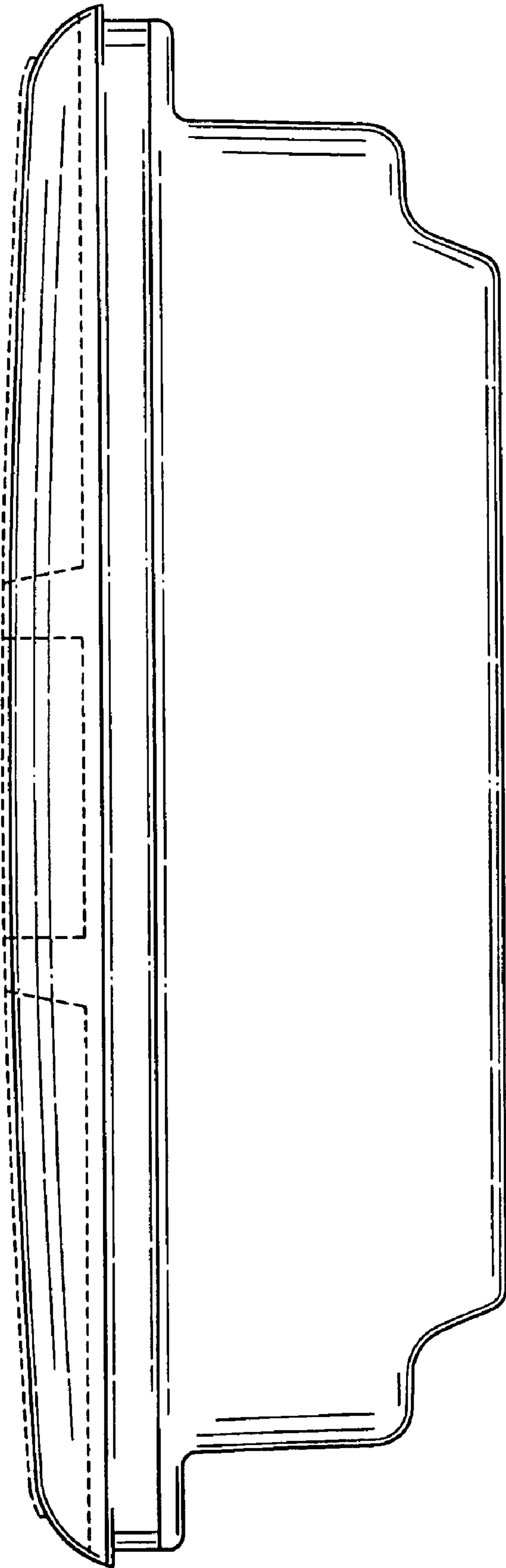


FIG. 2

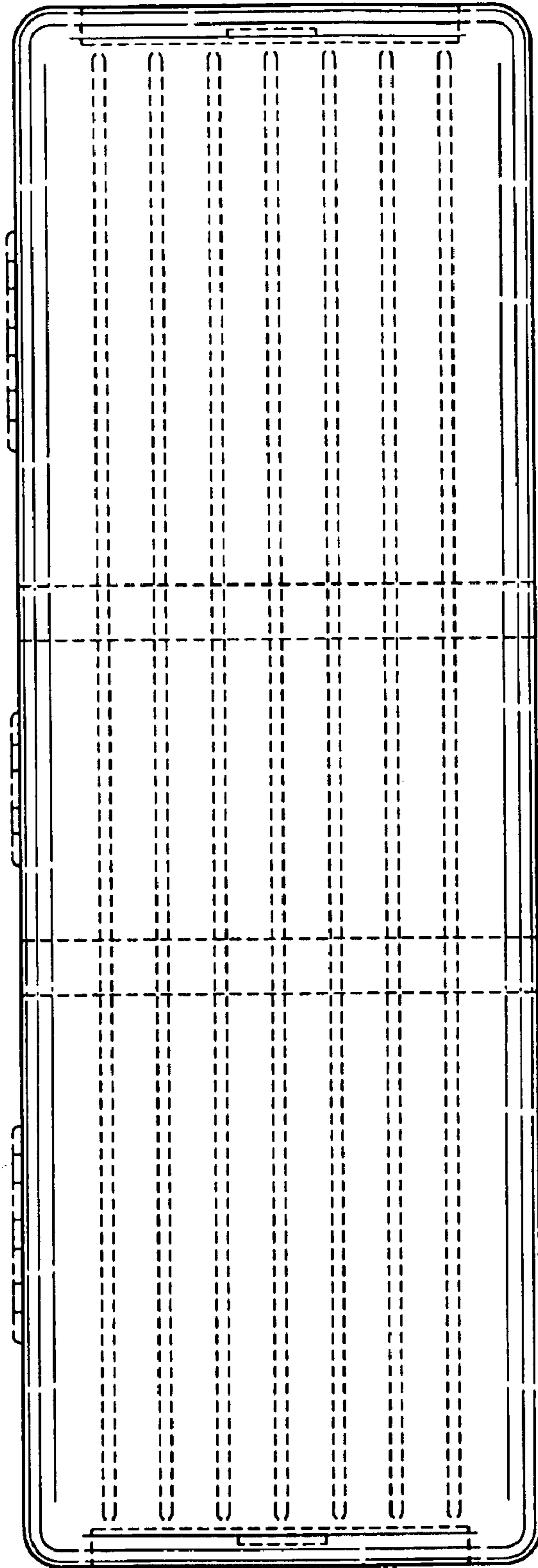
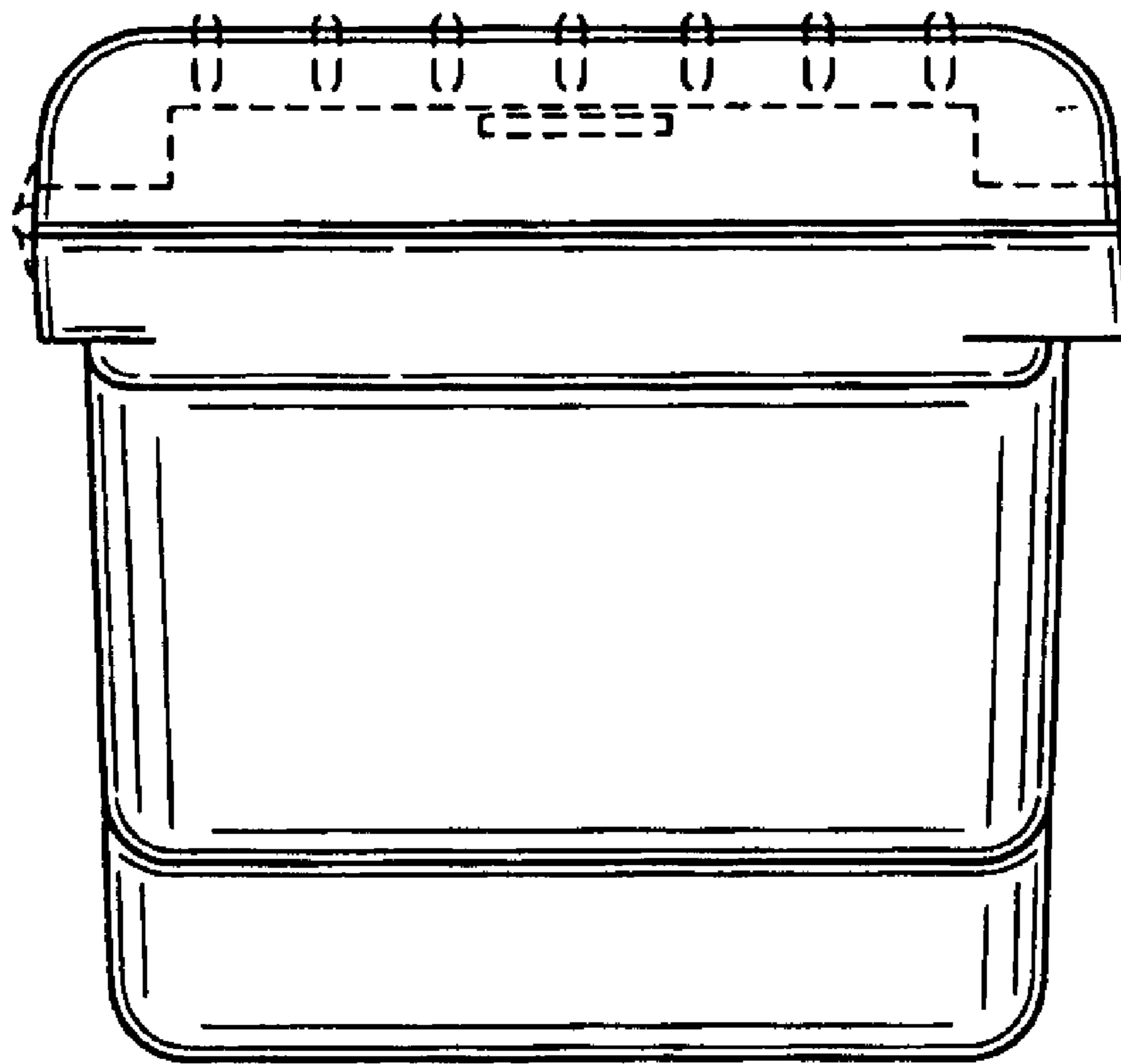


FIG. 3



*FIG. 4*