



US00D535935S

(12) **United States Design Patent**
Scheu

(10) **Patent No.:** **US D535,935 S**
(45) **Date of Patent:** **** Jan. 30, 2007**

(54) **FRONT FACE OF A VEHICLE WHEEL**

(75) Inventor: **Armin Scheu**, Stuttgart (DE)

(73) Assignee: **DaimlerChrysler AG**, Stuttgart (DE)

(**) Term: **14 Years**

(21) Appl. No.: **29/263,330**

(22) Filed: **Jul. 21, 2006**

(30) **Foreign Application Priority Data**

Apr. 3, 2006 (EM) 000506910

(51) **LOC (8) Cl.** **12-16**

(52) **U.S. Cl.** **D12/211**

(58) **Field of Classification Search** D12/204-213;
301/37.101, 64.101, 65

See application file for complete search history.

(56) **References Cited**

U.S. PATENT DOCUMENTS

D477,556 S * 7/2003 Koch D12/211
D486,772 S * 2/2004 Warming D12/211
D501,175 S * 1/2005 Kushartanto D12/211

D508,007 S * 8/2005 Koch D12/211
D516,493 S * 3/2006 Frizzi D12/211
D520,434 S * 5/2006 Fahr-Becker D12/211
D522,430 S * 6/2006 Nordmann D12/209
D525,184 S * 7/2006 Huet D12/211
D527,333 S * 8/2006 Blasi D12/211

* cited by examiner

Primary Examiner—Stacia Cadmus

(74) *Attorney, Agent, or Firm*—Crowell & Moring LLP

(57) **CLAIM**

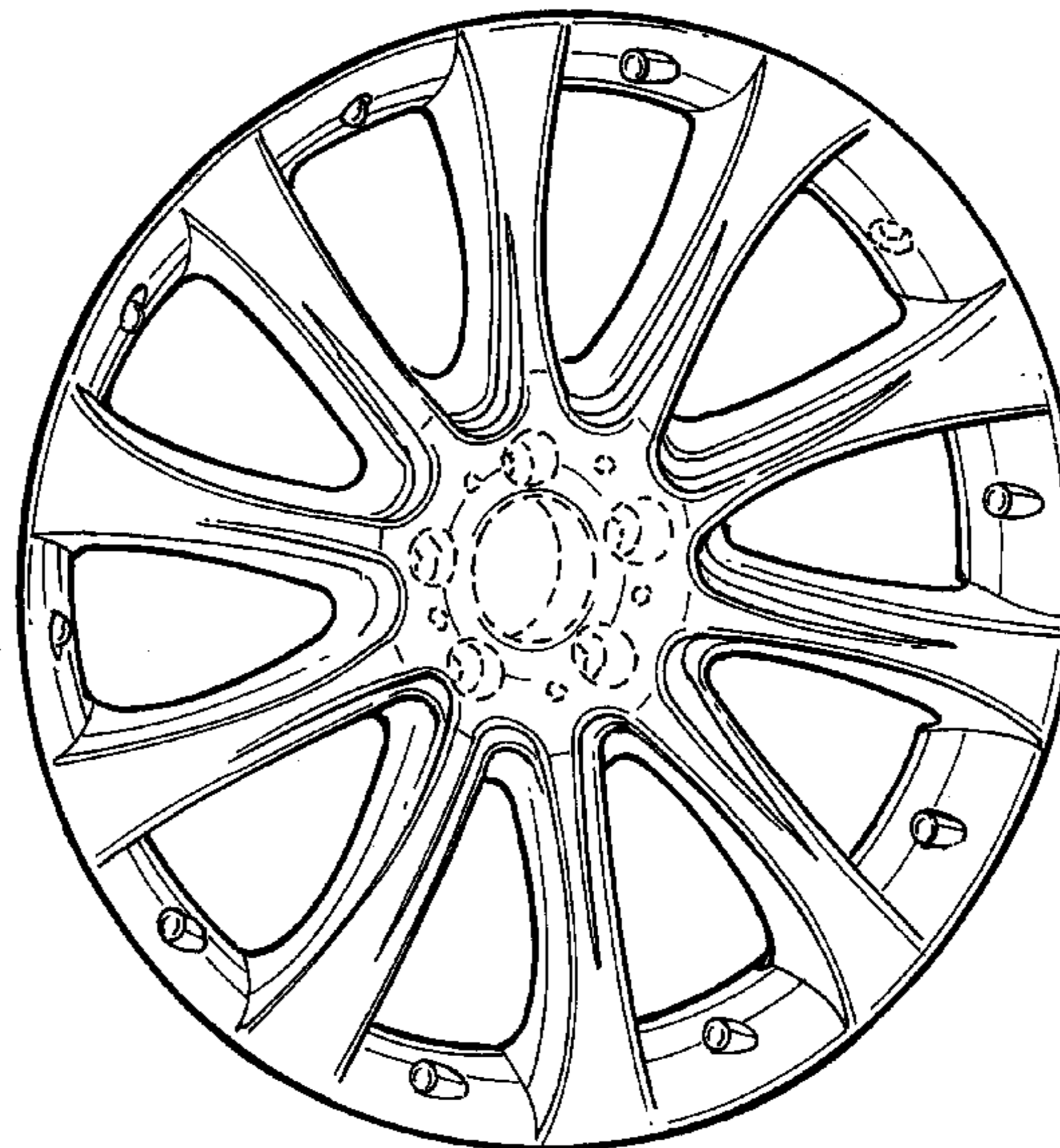
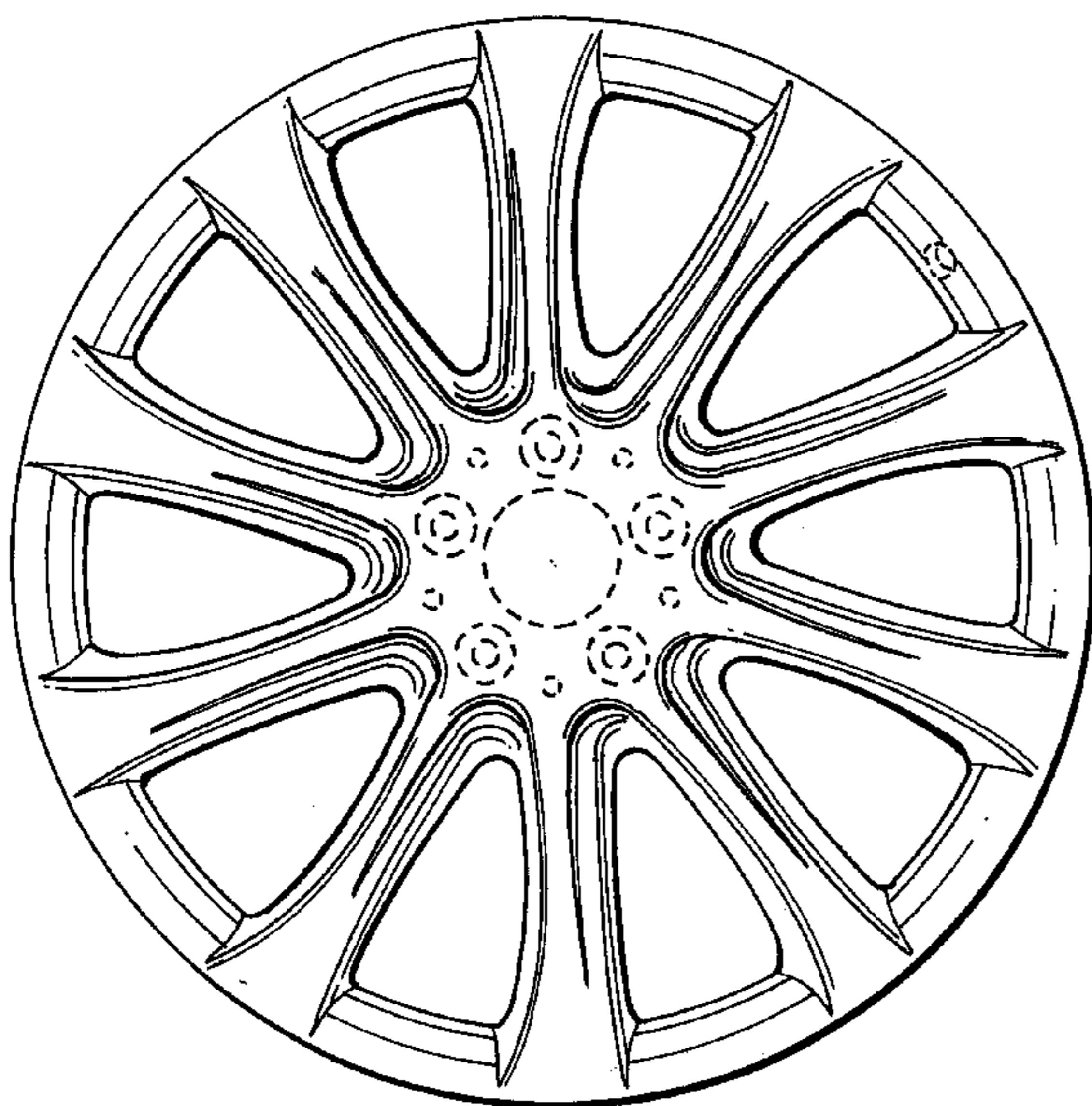
The ornamental design for a front face of a vehicle wheel, as shown and described.

DESCRIPTION

FIG. 1 is a front view of a first embodiment of a front face of a vehicle wheel according to my novel design; and FIG. 2 is a perspective view thereof; FIG. 3 is a front view of a second embodiment of the front face of a vehicle wheel according to my novel design; and, FIG. 4 is a perspective view thereof.

The broken lines are for illustrative purposes only and form no part of the claimed design.

1 Claim, 2 Drawing Sheets



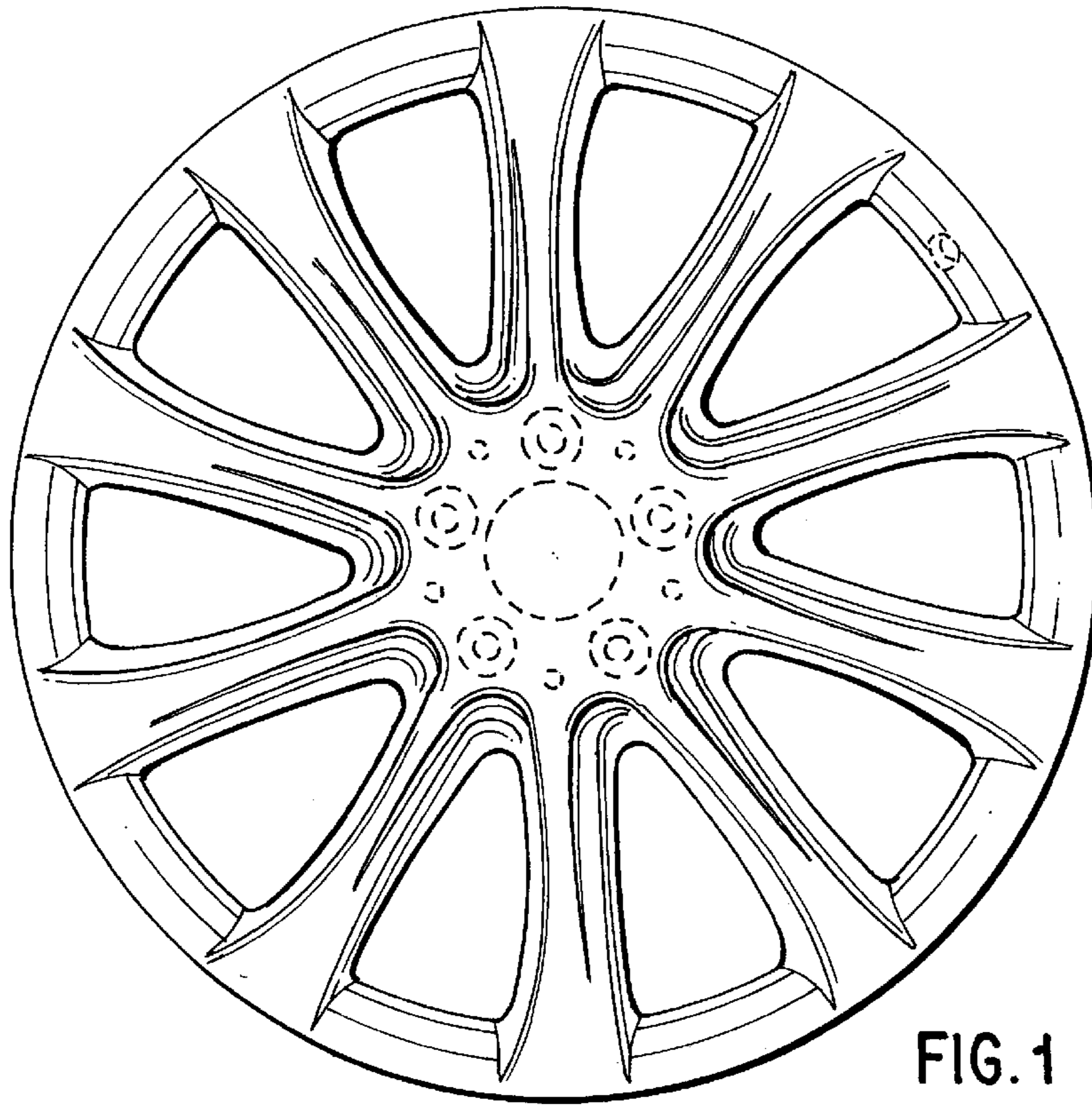


FIG. 1

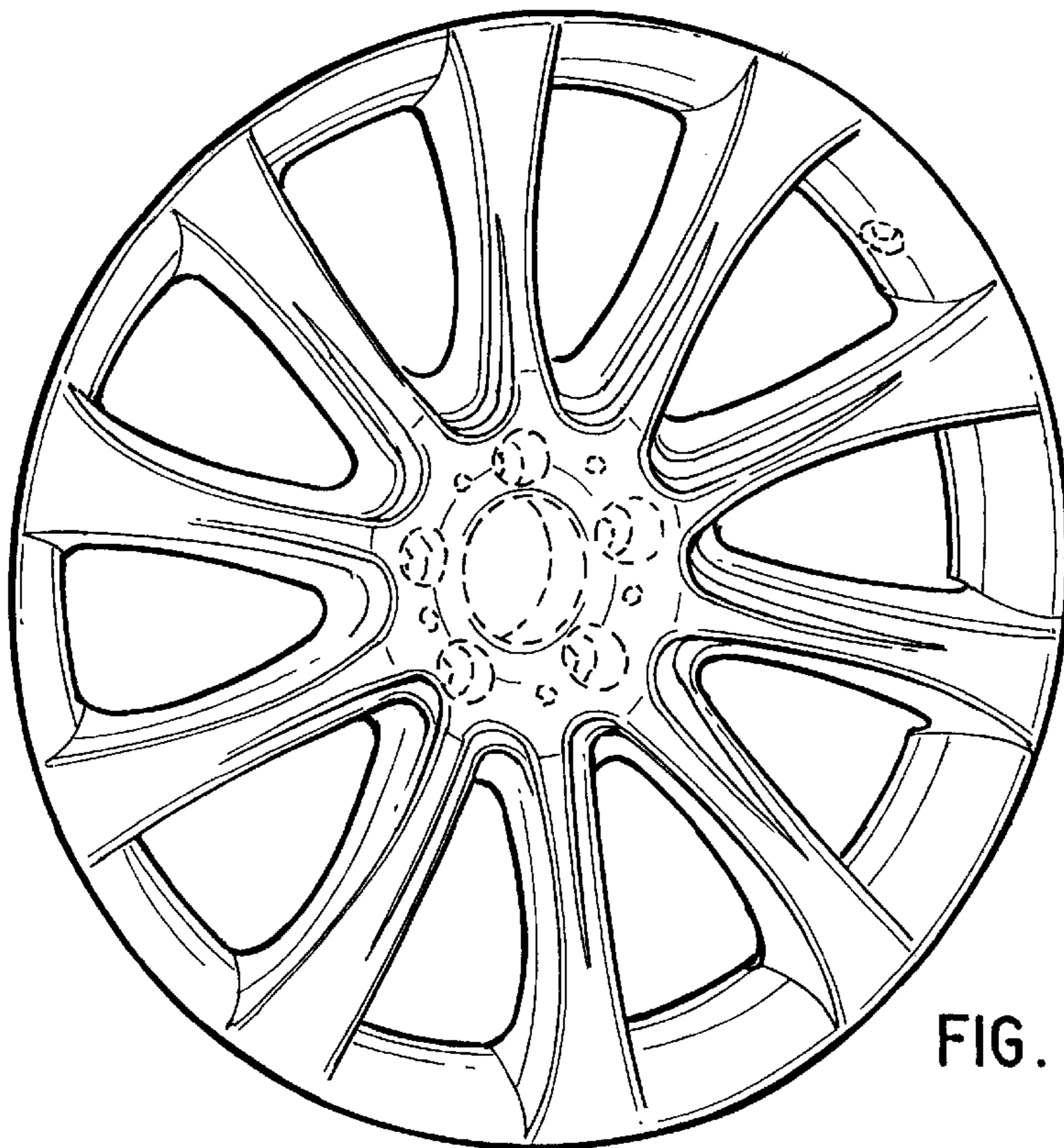


FIG. 2

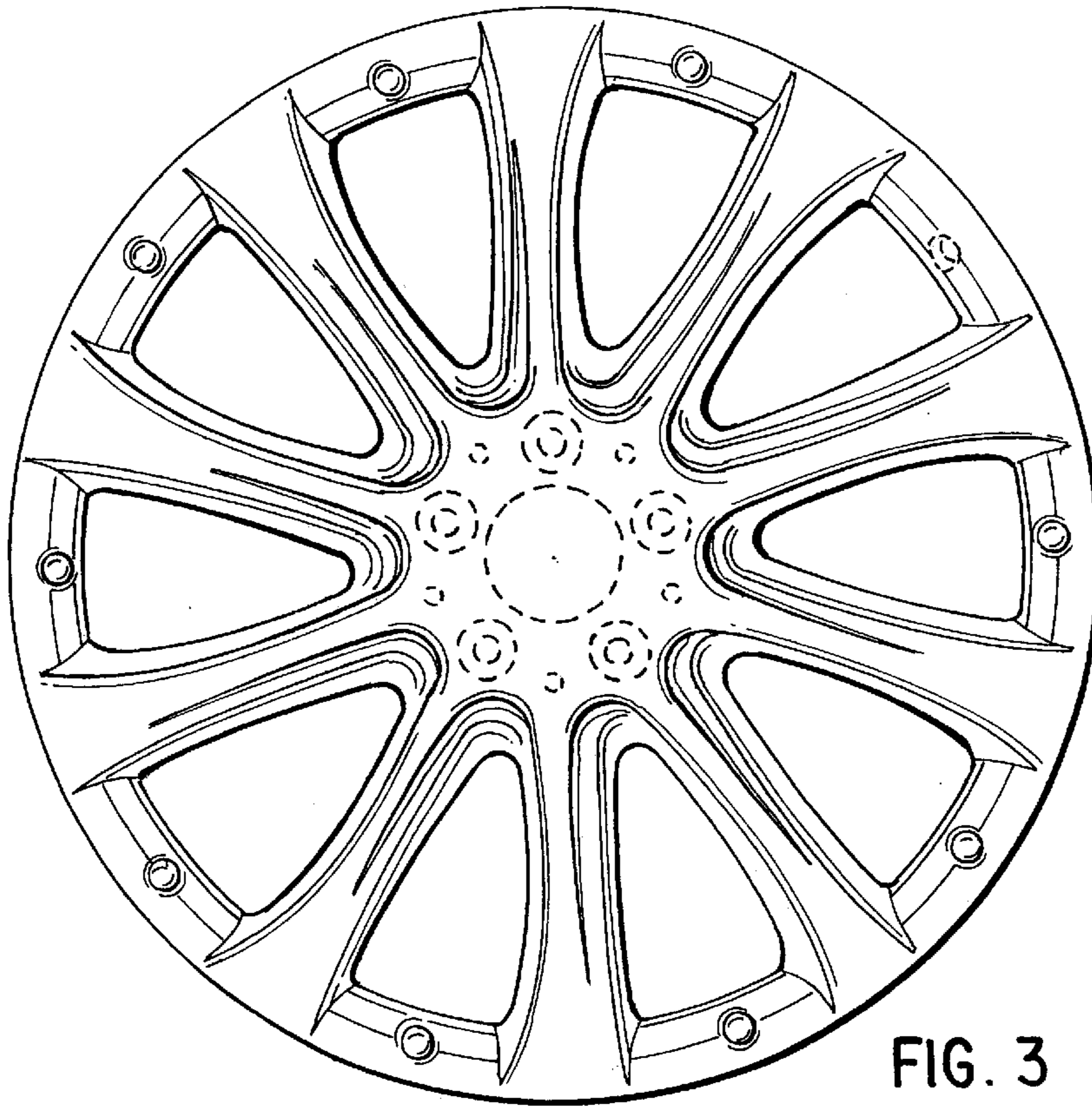


FIG. 3

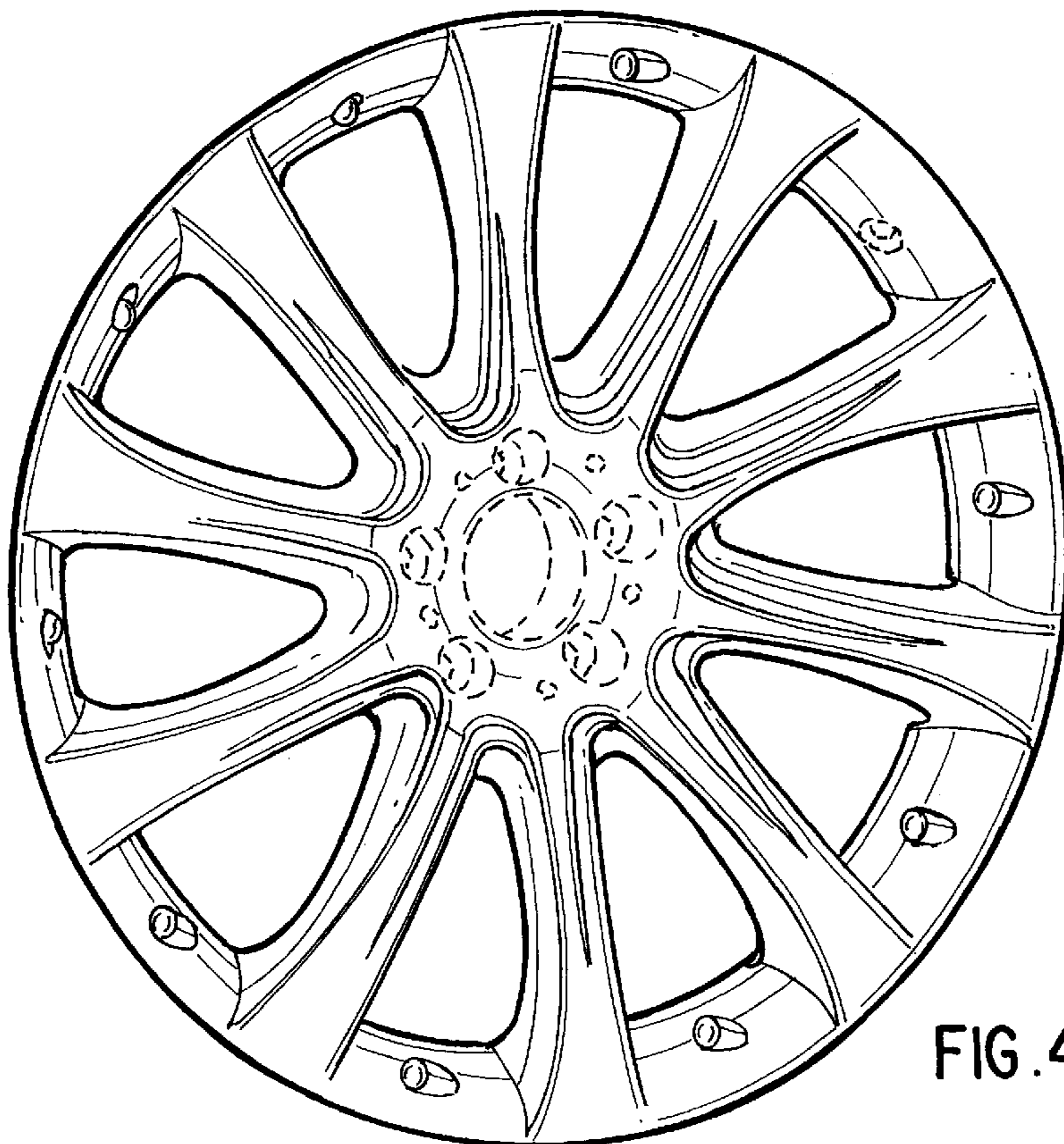


FIG. 4