

US00D535934S

(12) **United States Design Patent**
Scheu

(10) **Patent No.:** **US D535,934 S**

(45) **Date of Patent:** **** Jan. 30, 2007**

(54) **FRONT FACE OF A VEHICLE WHEEL**

(75) Inventor: **Armin Scheu**, Stuttgart (DE)

(73) Assignee: **DaimlerChrysler AG**, Stuttgart (DE)

(**) Term: **14 Years**

(21) Appl. No.: **29/263,211**

(22) Filed: **Jul. 19, 2006**

(30) **Foreign Application Priority Data**

Mar. 9, 2006 (DE) 4 06 01 355

(51) **LOC (8) Cl.** **12-16**

(52) **U.S. Cl.** **D12/211**

(58) **Field of Classification Search** D12/204–213;
301/37.101, 64.101, 65

See application file for complete search history.

(56) **References Cited**

U.S. PATENT DOCUMENTS

D392,237 S	*	3/1998	Kelley	D12/209
D432,479 S	*	10/2000	Lee et al.	D12/209
D436,912 S	*	1/2001	Boyer	D12/211
D462,643 S	*	9/2002	Murkett et al.	D12/211
D486,110 S	*	2/2004	Elmitt	D12/211

D496,623 S	*	9/2004	Elmitt	D12/211
D500,470 S	*	1/2005	Rice	D12/211
D501,440 S	*	2/2005	Pfeiffer	D12/211
D507,223 S	*	7/2005	Szavits	D12/209
D507,225 S	*	7/2005	Velazco	D12/211
D510,719 S	*	10/2005	Noble	D12/211
D515,997 S	*	2/2006	Phillips	D12/209
D522,953 S	*	6/2006	Guevara	D12/211

* cited by examiner

Primary Examiner—Stacia Cadmus

(74) *Attorney, Agent, or Firm*—Crowell & Moring LLP

(57) **CLAIM**

The ornamental design for a front face of a vehicle wheel, as shown and described.

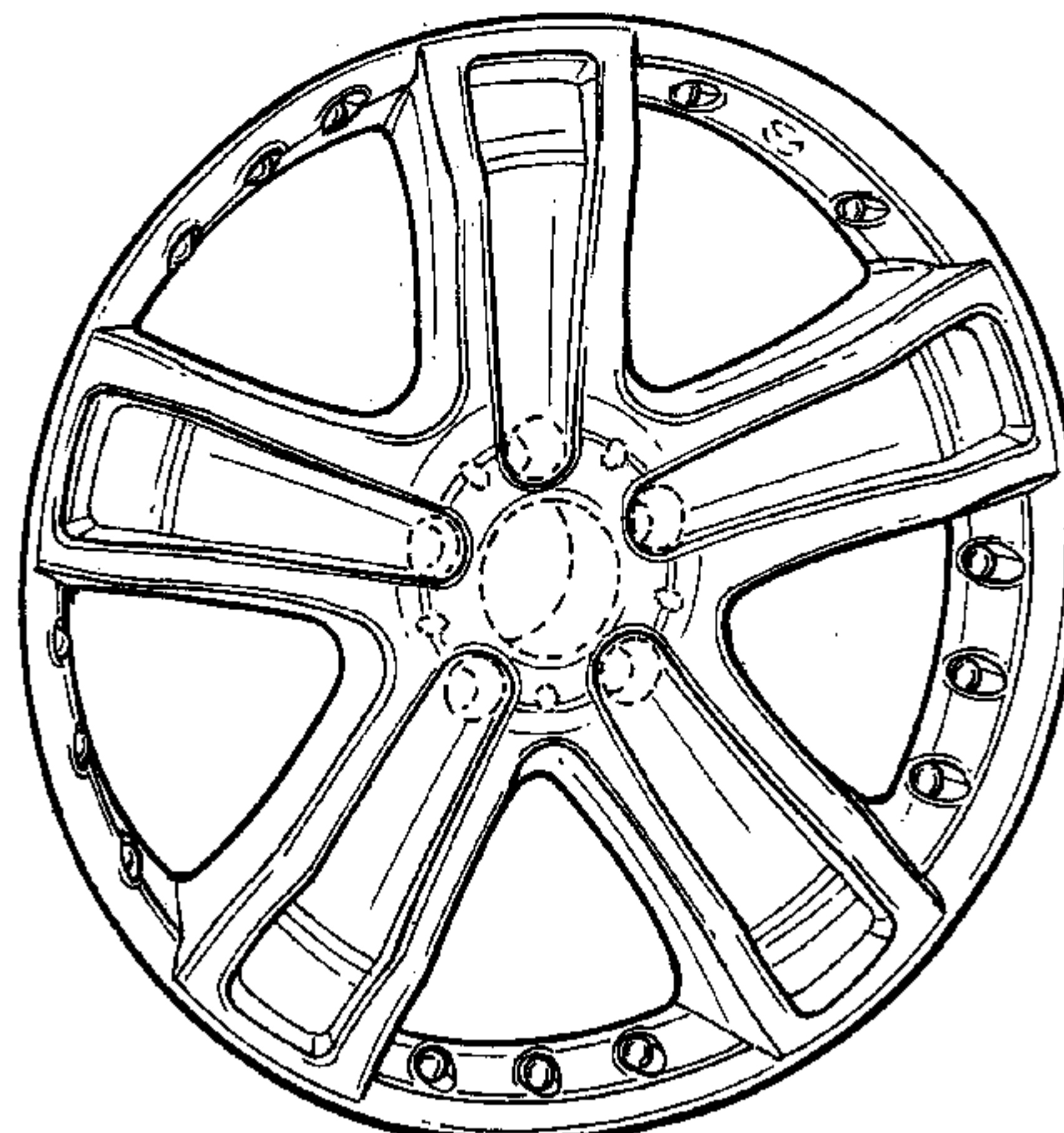
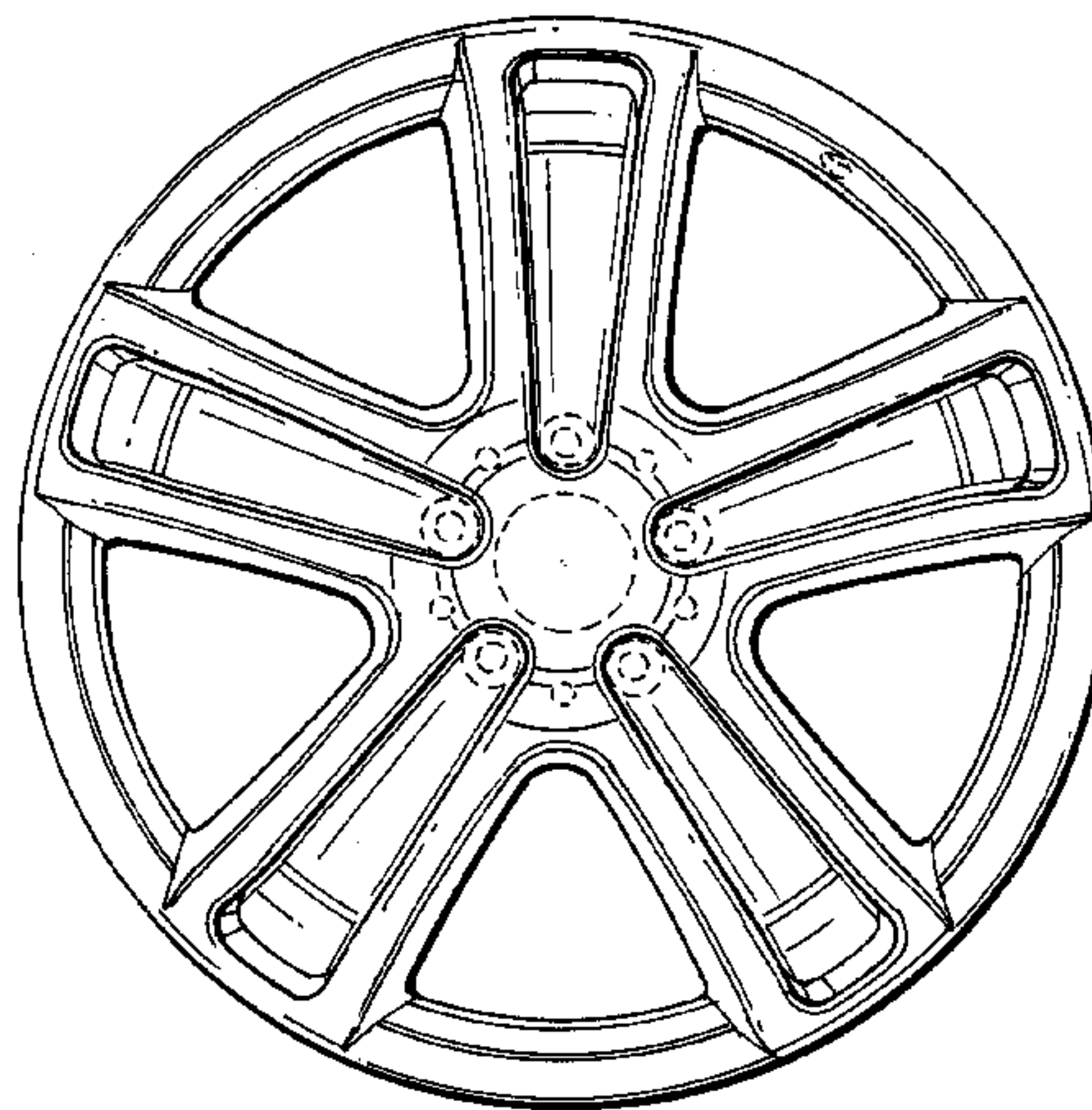
DESCRIPTION

FIG. 1 is a front view of a first embodiment of a front face of a vehicle wheel according to my novel design; and FIG. 2 is a perspective view thereof.

FIG. 3 is a front view of a second embodiment of the front face of a vehicle wheel according to my novel design; and, FIG. 4 is a perspective view thereof.

The broken lines are for illustrative purposes only and form no part of the claimed design.

1 Claim, 2 Drawing Sheets



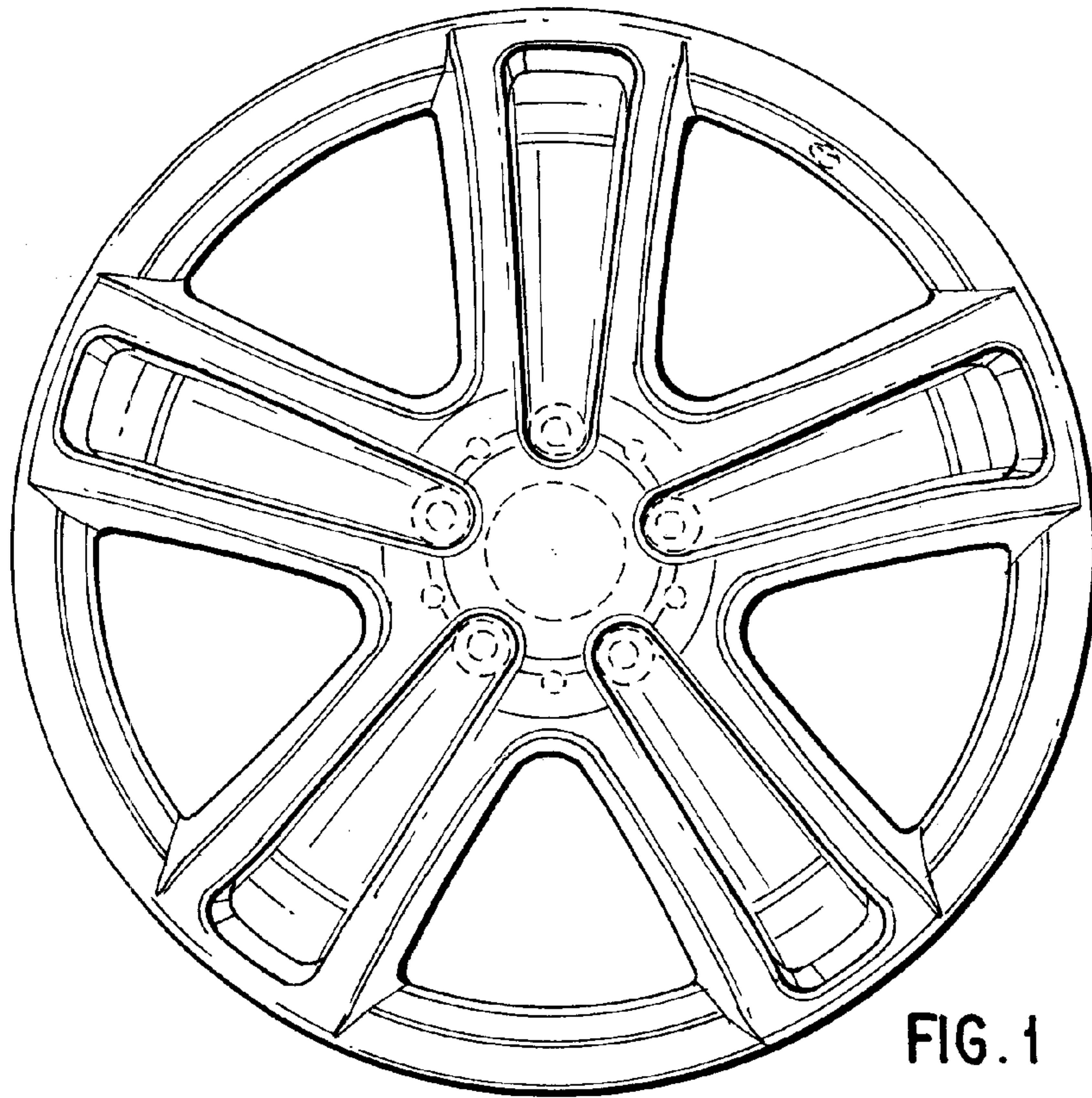


FIG. 1

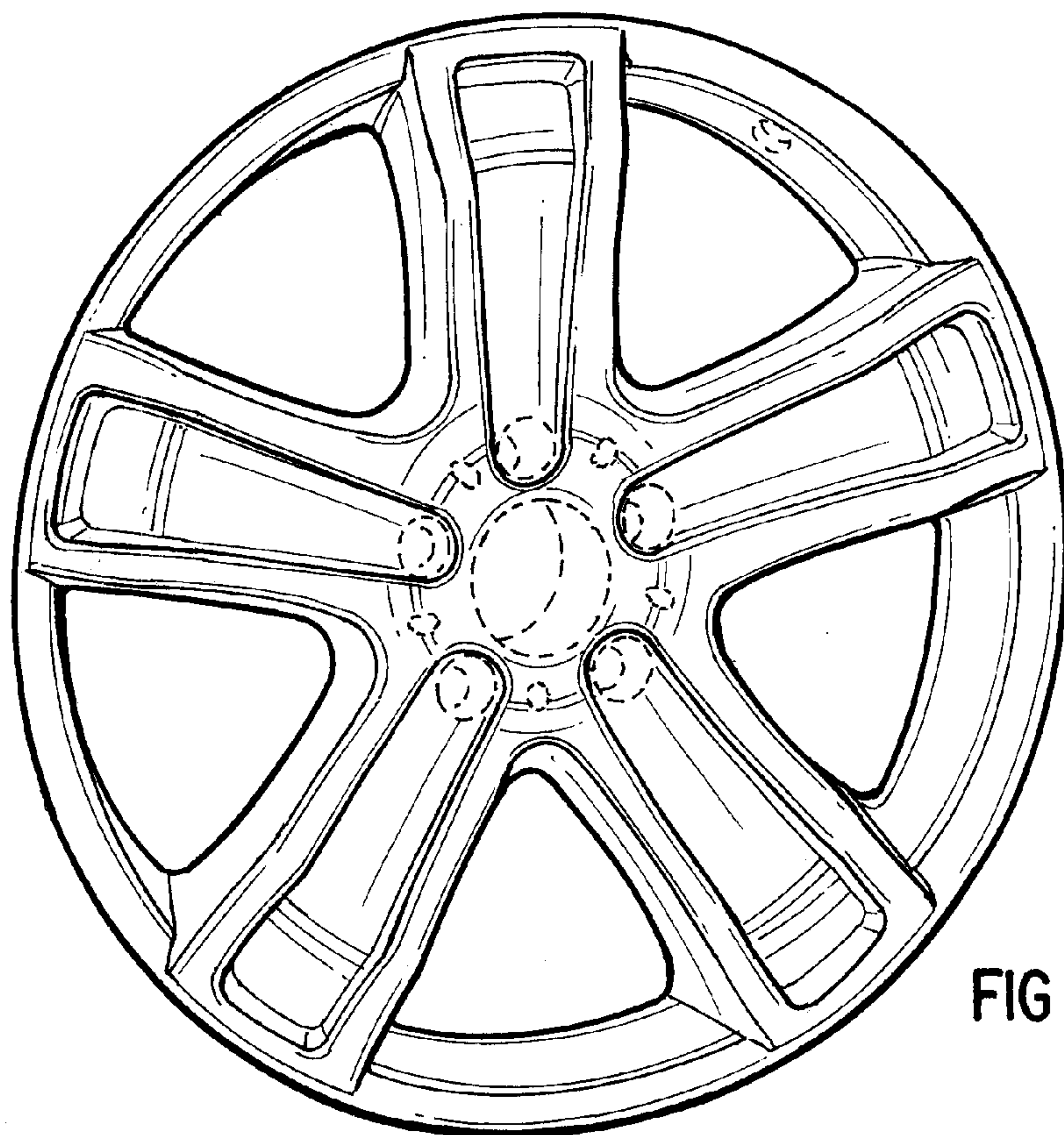


FIG. 2

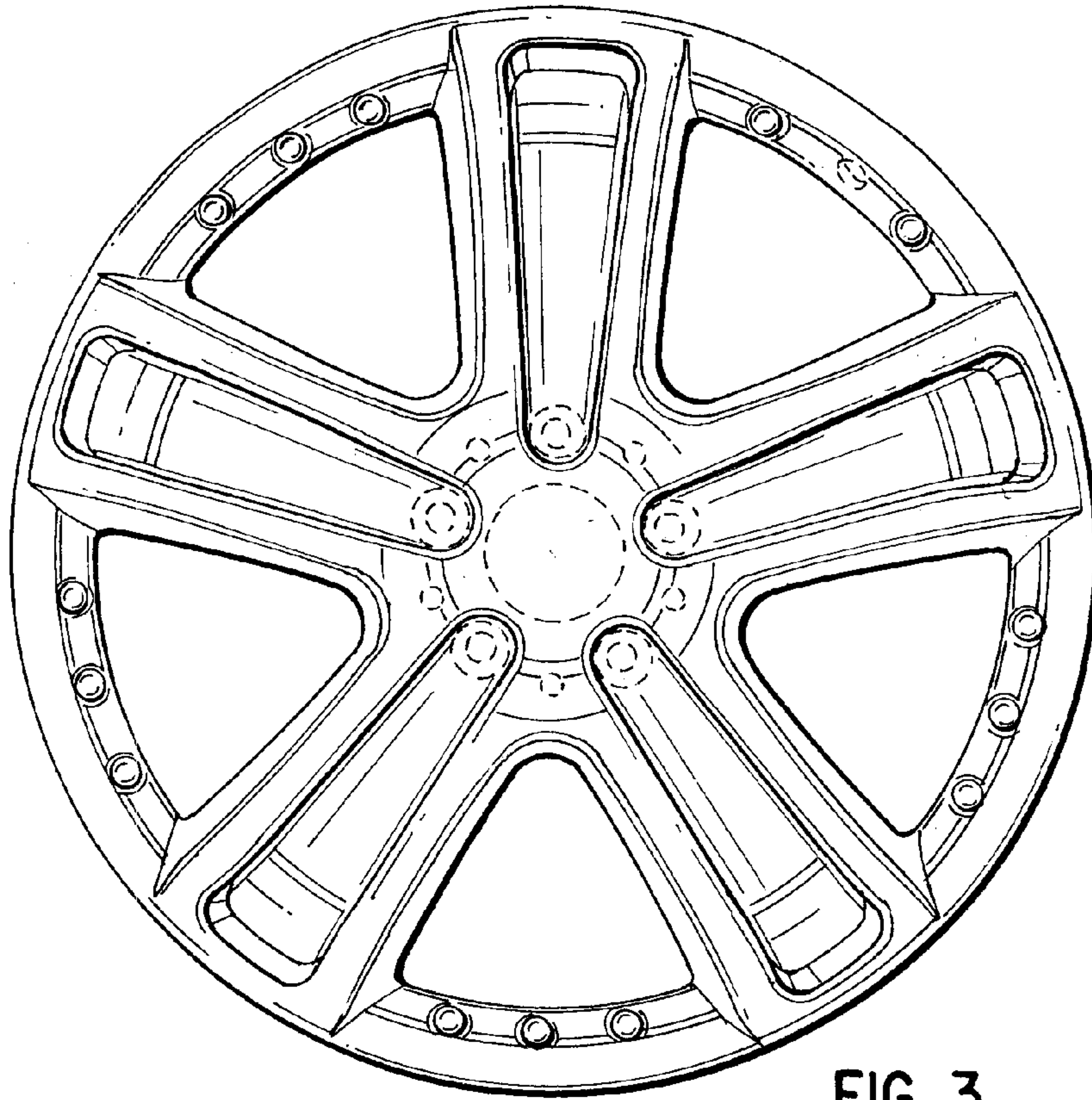


FIG. 3

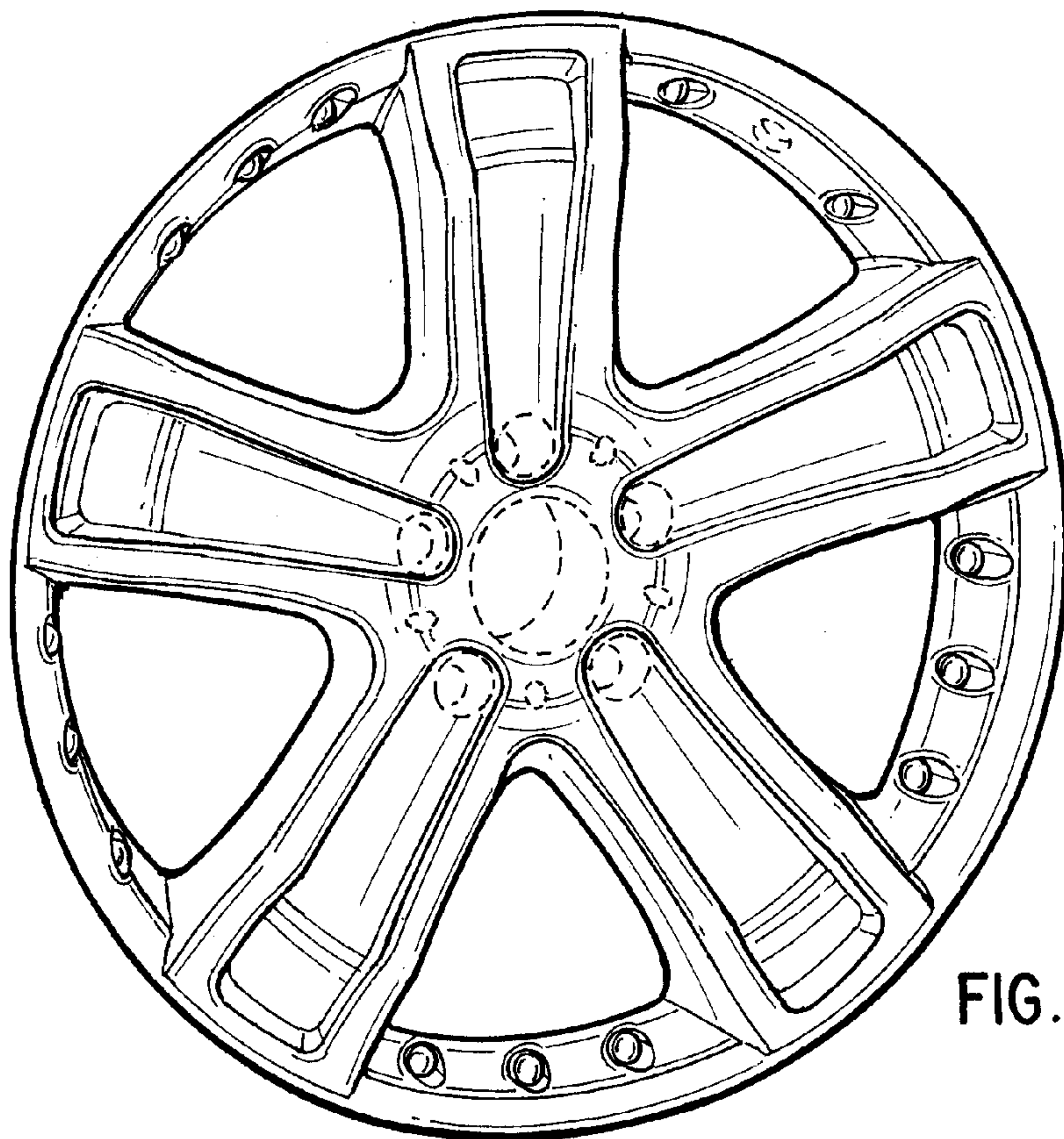


FIG. 4