



US00D535933S

(12) **United States Design Patent**  
**Markefka**

(10) **Patent No.:** **US D535,933 S**

(45) **Date of Patent:** **\*\* Jan. 30, 2007**

(54) **FRONT FACE OF A VEHICLE WHEEL**

(75) Inventor: **Marc Michael Markefka**, Munich  
(DE)

(73) Assignee: **Bayerische Motoren Werke**  
**Aktiengesellschaft**, Munich (DE)

(\*\*) Term: **14 Years**

(21) Appl. No.: **29/258,757**

(22) Filed: **Apr. 27, 2006**

(30) **Foreign Application Priority Data**

Oct. 28, 2005 (DE) ..... 40505625

(51) **LOC (8) Cl.** ..... **12-16**

(52) **U.S. Cl.** ..... **D12/209**

(58) **Field of Classification Search** ..... D12/204–213;  
301/37.101, 64.101, 65  
See application file for complete search history.

(56) **References Cited**

**U.S. PATENT DOCUMENTS**

D391,913 S \* 3/1998 Chung ..... D12/209

D402,252 S	*	12/1998	Kulla	.....	D12/211
D461,754 S	*	8/2002	Hoshino	.....	D12/209
D486,108 S	*	2/2004	Min	.....	D12/209
D503,915 S	*	4/2005	Markefka	.....	D12/209
D504,650 S	*	5/2005	Ishiwata	.....	D12/209
D515,997 S	*	2/2006	Phillips	.....	D12/209
D516,979 S	*	3/2006	Muzzarelli	.....	D12/209
D521,435 S	*	5/2006	Fitzgerald	.....	D12/209
D523,385 S	*	6/2006	Kono	.....	D12/209
D526,261 S	*	8/2006	Ohta	.....	D12/209

\* cited by examiner

*Primary Examiner*—Stacia Cadmus

(74) *Attorney, Agent, or Firm*—Crowell & Moring LLP

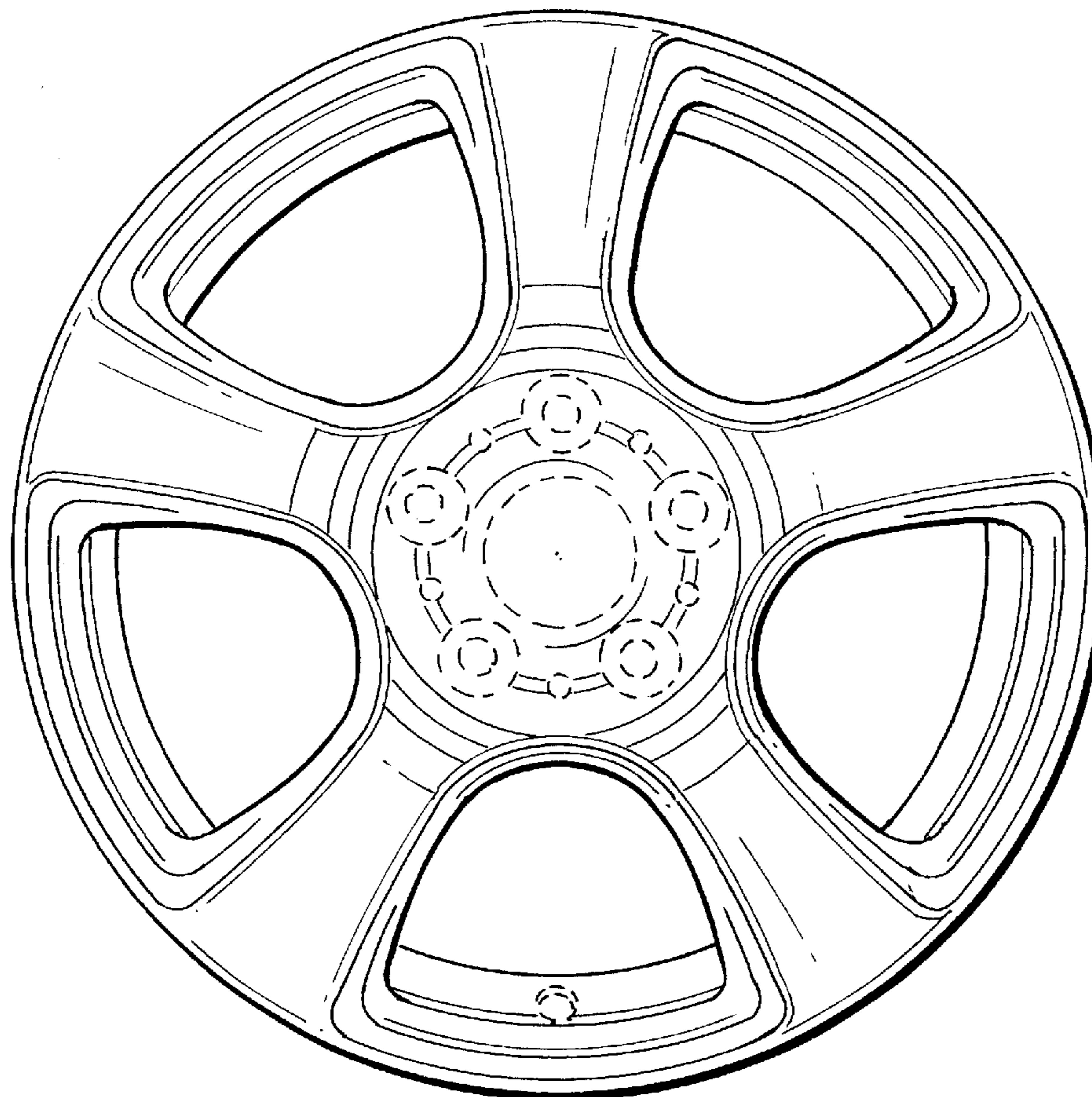
(57) **CLAIM**

The ornamental design for a front face of a vehicle wheel, as shown and described.

**DESCRIPTION**

FIG. 1 is a front view of a front face of a vehicle wheel according to my novel design; and, FIG. 2 is a perspective view thereof. The broken lines are for illustrative purposes only and form no part of the claimed design.

**1 Claim, 1 Drawing Sheet**



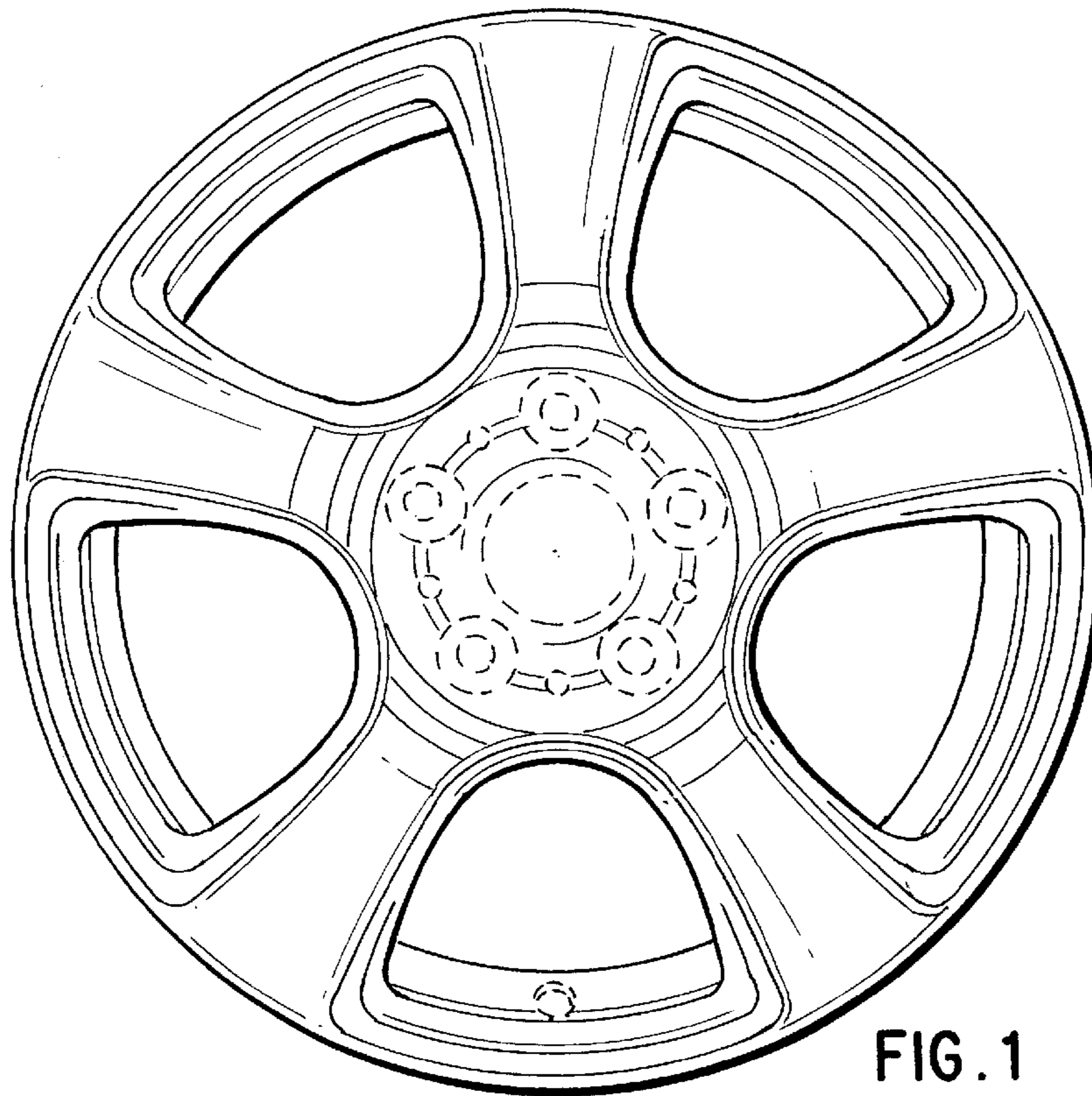


FIG. 1

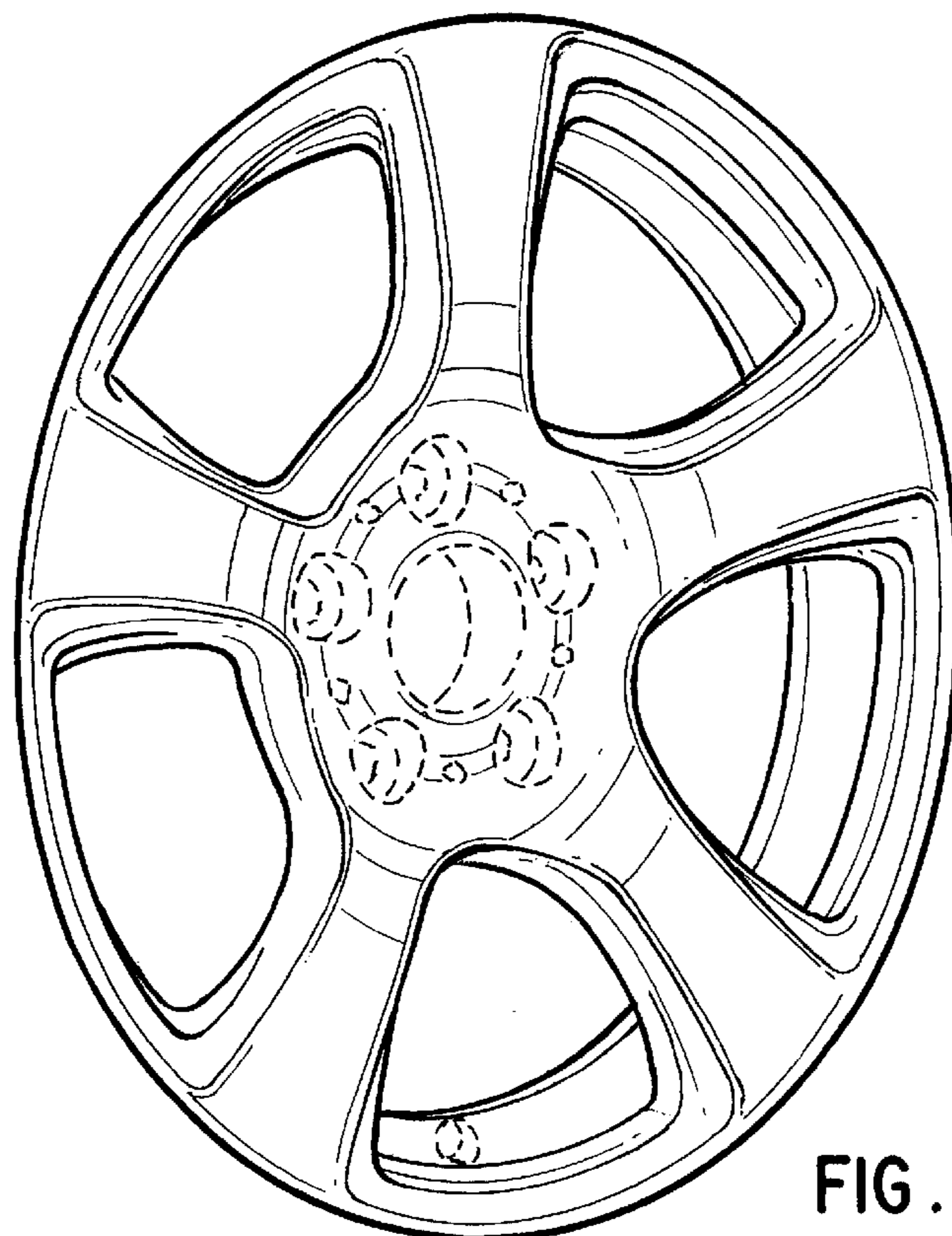


FIG. 2