



US00D535932S

(12) **United States Design Patent**
Lorinser

(10) **Patent No.:** **US D535,932 S**

(45) **Date of Patent:** **** Jan. 30, 2007**

(54) **TIRE RIM**

(75) Inventor: **Marcus Lorinser**, Waiblingen (DE)

(73) Assignee: **Sport-Service-Lorinser Sportliche Autoausrüstung GmbH**, Waiblingen (DE)

(**) Term: **14 Years**

(21) Appl. No.: **29/257,708**

(22) Filed: **Apr. 10, 2006**

(30) **Foreign Application Priority Data**

Oct. 27, 2005 (EM) 000421987

(51) **LOC (8) Cl.** **12-16**

(52) **U.S. Cl.** **D12/209**

(58) **Field of Classification Search** D12/204-213;
301/37.101, 64.101, 65
See application file for complete search history.

(56) **References Cited**

U.S. PATENT DOCUMENTS

D213,315 S * 2/1969 Reid D12/211

D437,576 S * 2/2001 Ir. D12/209
D461,754 S * 8/2002 Hoshino D12/209
D488,423 S * 4/2004 Chu D12/209
D497,132 S * 10/2004 Lee D12/209
D500,002 S * 12/2004 Kushartanto D12/209
D504,650 S * 5/2005 Ishiwata D12/209
D510,719 S * 10/2005 Noble D12/211

* cited by examiner

Primary Examiner—Stacia Cadmus

(74) *Attorney, Agent, or Firm*—Collard & Roe, P.C.

(57) **CLAIM**

The ornamental design for a tire rim, as shown and described.

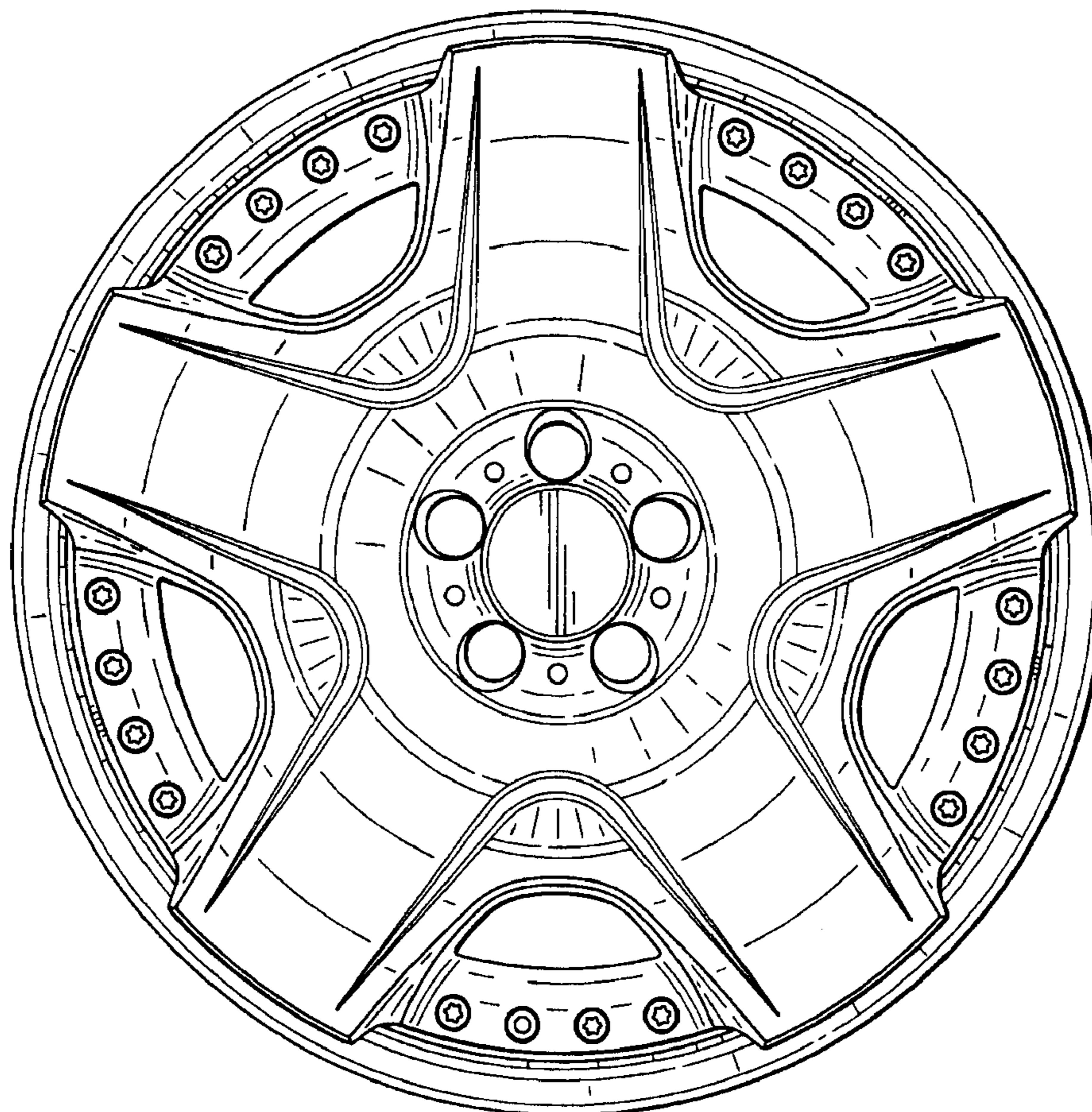
DESCRIPTION

FIG. 1 shows a front view of my design for a tire rim; and, FIG. 2 shows a front perspective view thereof.

The rear and side views form no part of the claimed invention.

The broken line showing of environment is for illustrative purposes only and forms no part of the claimed design.

1 Claim, 2 Drawing Sheets



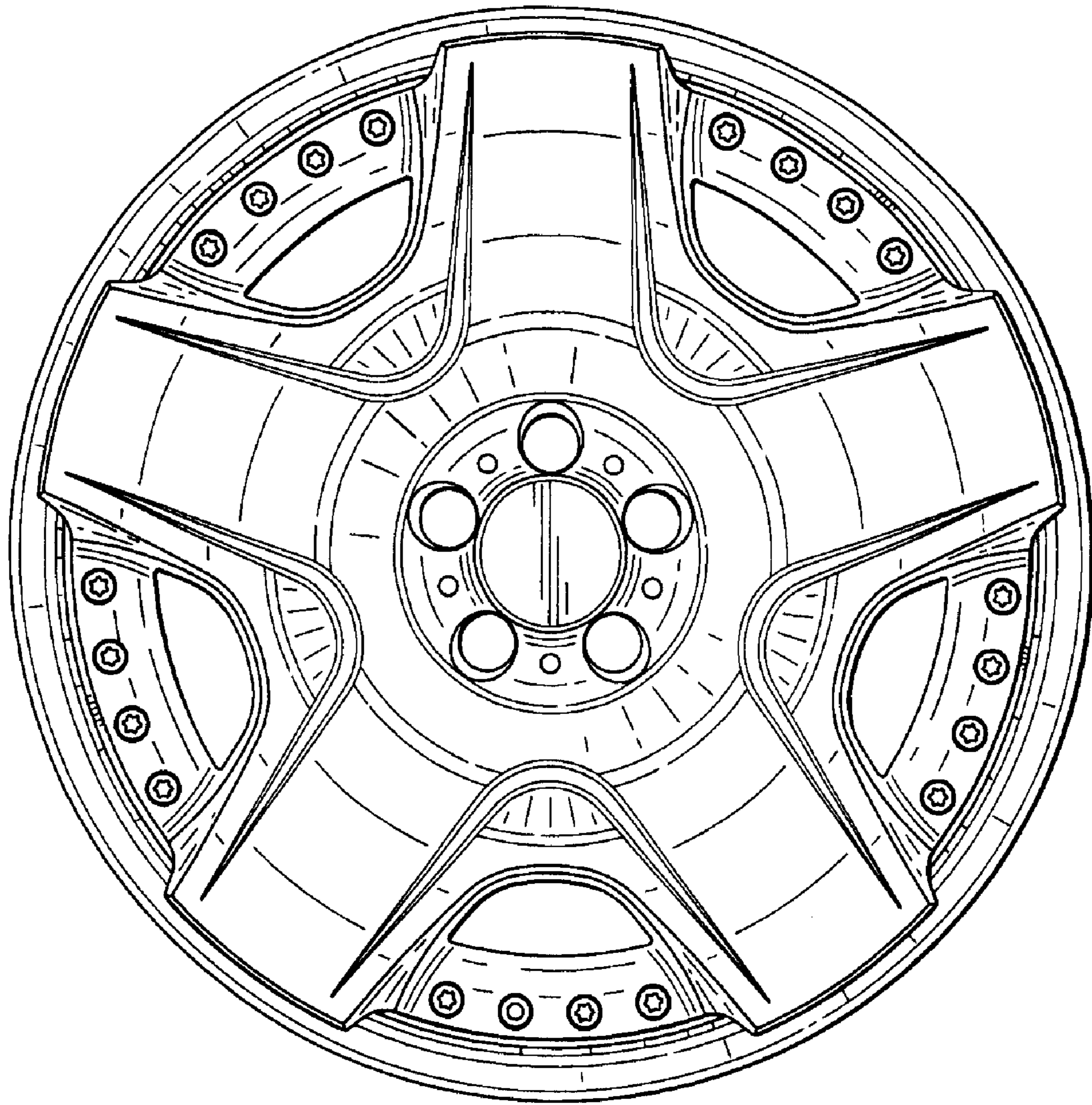


Fig. 1

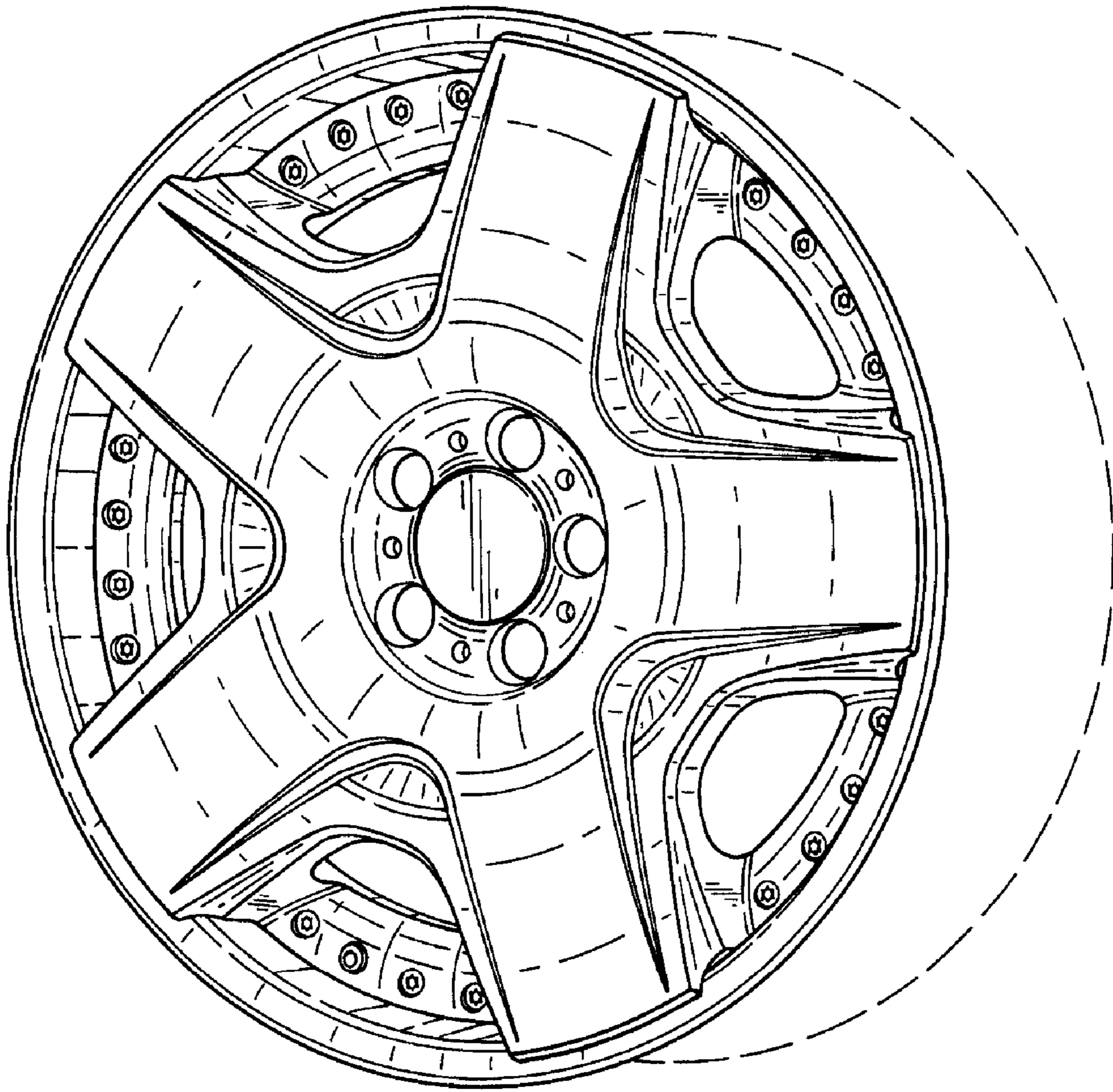


Fig. 2

UNITED STATES PATENT AND TRADEMARK OFFICE
CERTIFICATE OF CORRECTION

PATENT NO. : Des. 535,932 S
APPLICATION NO. : 29/257708
DATED : January 30, 2007
INVENTOR(S) : Lorinser

Page 1 of 1

It is certified that error appears in the above-identified patent and that said Letters Patent is hereby corrected as shown below:

In particular, on the cover page, column 1, item [73], please change "Sport-Service-Lorinser Sportliche Autosurüstung GmbH" to correctly read: --Sport-Service-Lorinser Sportliche Autoausrüstung GmbH--.

Signed and Sealed this

Tenth Day of April, 2007

A handwritten signature in black ink on a light gray dotted background. The signature reads "Jon W. Dudas" in a cursive style.

JON W. DUDAS

Director of the United States Patent and Trademark Office