

US00D535928S

(12) **United States Design Patent**  
**Crandall**

(10) **Patent No.:** **US D535,928 S**

(45) **Date of Patent:** **\*\* Jan. 30, 2007**

(54) **SIDE STEP RAIL FOR A VEHICLE**

(75) Inventor: **Robert T. Crandall**, Yorba Linda, CA (US)

(73) Assignee: **Berryman Products, Inc.**, Arlington, TX (US)

(\*\*) Term: **14 Years**

(21) Appl. No.: **29/243,853**

(22) Filed: **Dec. 1, 2005**

(51) **LOC (8) Cl.** ..... **12-16**

(52) **U.S. Cl.** ..... **D12/203**

(58) **Field of Classification Search** ..... D12/203,  
D12/190; 280/163, 164.1, 166, 169, 607,  
280/164.2, 165; 182/90-92; 428/41.7; D25/62,  
D25/69; 296/75

See application file for complete search history.

(56) **References Cited**

**U.S. PATENT DOCUMENTS**

D349,678 S	*	8/1994	Waddington et al.	.....	D12/203
D397,980 S	*	9/1998	Thompson	.....	D12/203
D434,711 S	*	12/2000	McQuiston	.....	D12/203
D436,336 S	*	1/2001	Sadr	.....	D12/203
6,536,790 B1	*	3/2003	Ojanen	.....	280/163
D494,914 S	*	8/2004	Elwell et al.	.....	D12/203
D495,646 S	*	9/2004	Elwell et al.	.....	D12/203
D505,901 S	*	6/2005	Wang	.....	D12/203
D513,398 S	*	1/2006	Kozak et al.	.....	D12/203
D513,725 S	*	1/2006	Metros et al.	.....	D12/203
D514,492 S	*	2/2006	Metros et al.	.....	D12/203

**OTHER PUBLICATIONS**

Mid-America Automotive Products, Inc. ("MAAP"); "Product Catalog 2005"; catalog; 2005; 12 pages; MAAP; Sapulpa, OK.

Christian Vila Kuid; "AE 510, Research Project 1 Cold Extrusion"; research project; Oct. 22, 2002; 14 pages; [http://www.engr.ku.edu/~rhale/ae510/websites\\_f02/extrusion-.doc](http://www.engr.ku.edu/~rhale/ae510/websites_f02/extrusion-.doc).

\* cited by examiner

*Primary Examiner*—Stacia Cadmus

(74) *Attorney, Agent, or Firm*—Howison & Arnott, L.L.P.

(57) **CLAIM**

The ornamental design for a side step rail for a vehicle, as shown and described.

**DESCRIPTION**

FIG. 1 is a perspective view of a side step rail for a vehicle, showing my new design;

FIG. 2 is an enlarged cross-sectional view thereof taken along line 2—2 of FIG. 1;

FIG. 3 is an enlarged cross-sectional view thereof taken along line 3—3 of FIG. 1;

FIG. 4 is a front elevation view thereof;

FIG. 5 is a right end view thereof;

FIG. 6 is a left end view thereof;

FIG. 7 is a rear elevation view thereof;

FIG. 8 is a top plan view thereof;

FIG. 9 is a bottom plan view thereof;

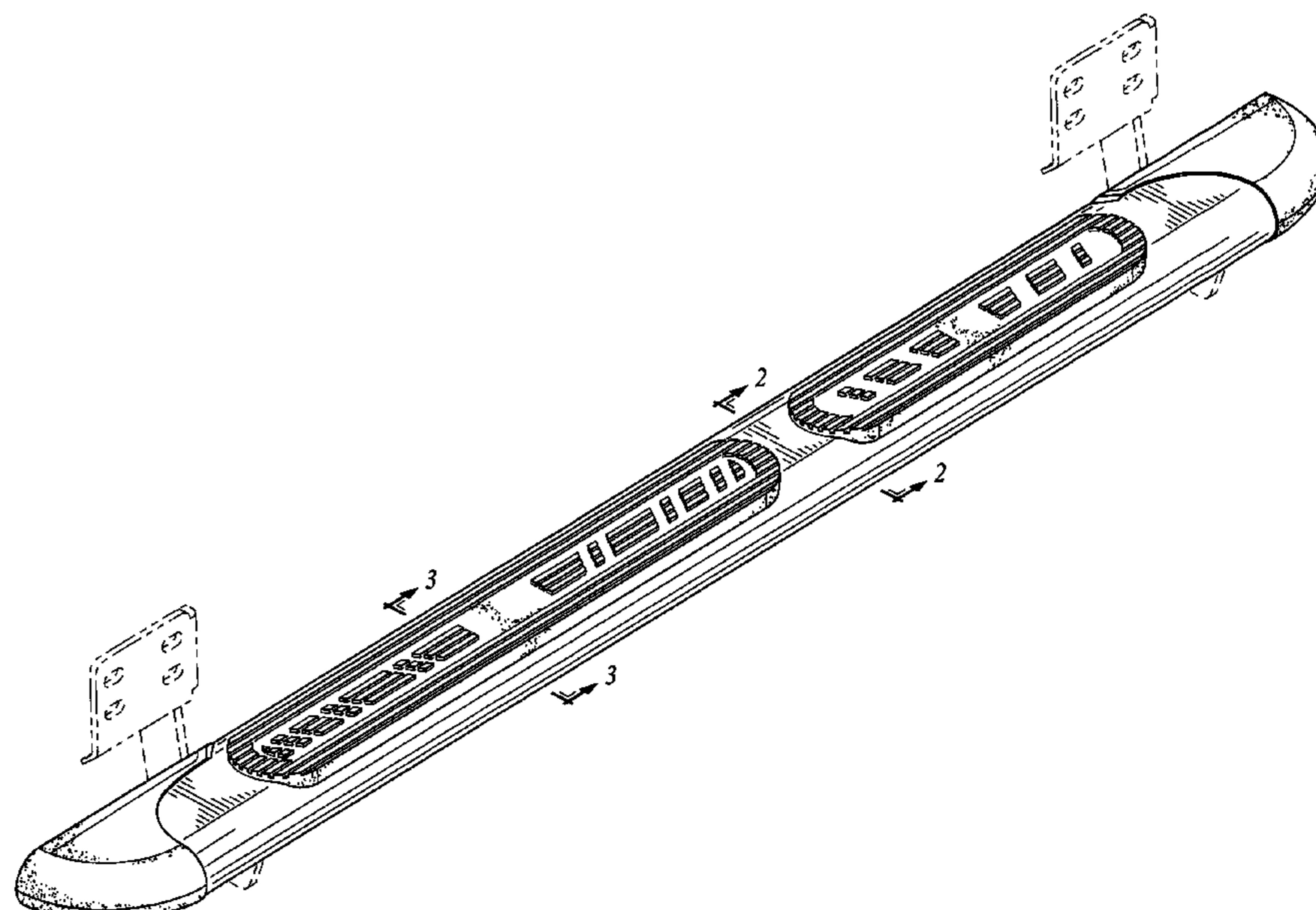
FIG. 10 is a perspective view of a second embodiment of a side step rail for a vehicle, showing my new design; and,

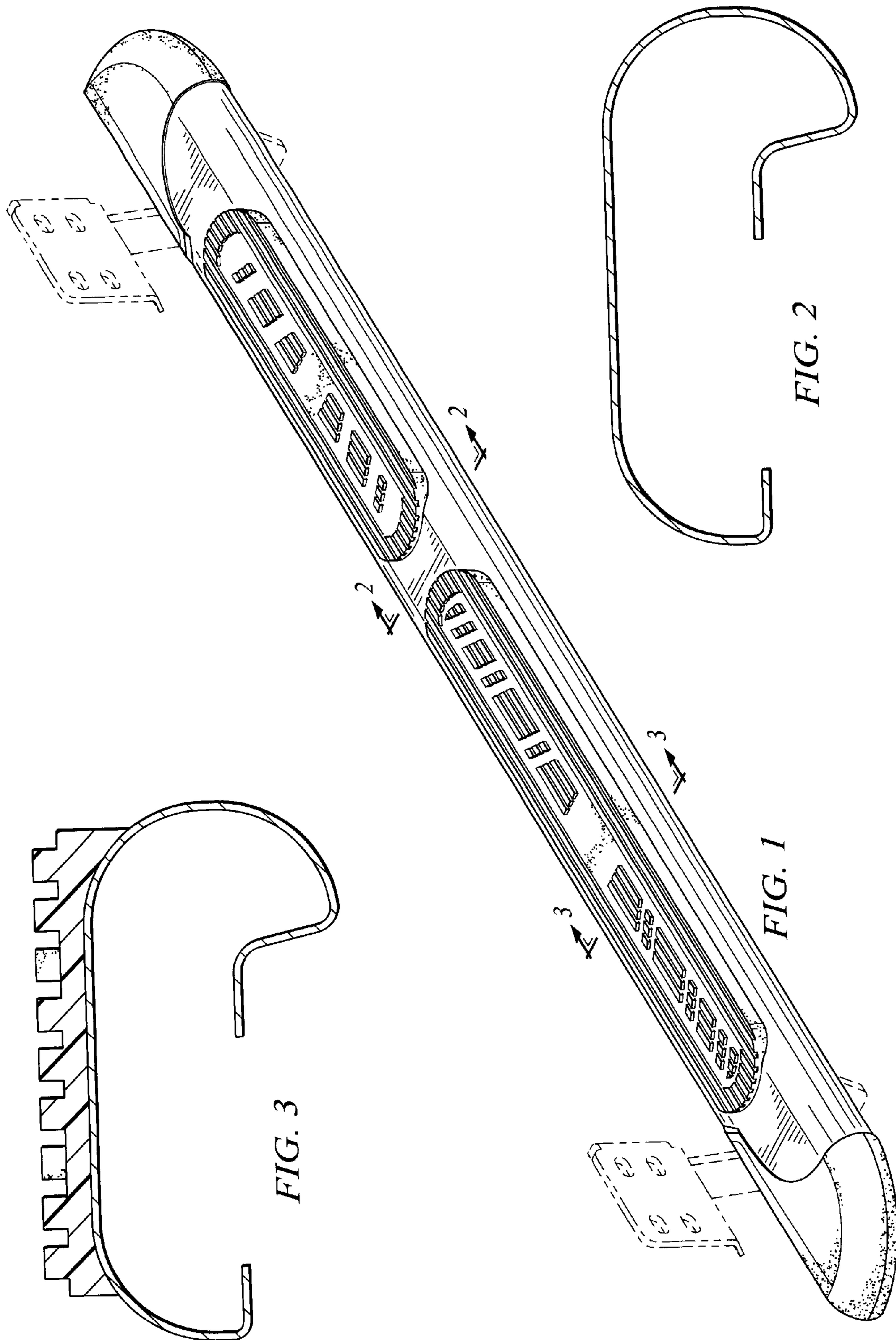
FIG. 11 is a perspective view of a third embodiment of a side step rail for a vehicle, showing my new design.

FIGS. 10 and 11 are shown broken away to indicate indeterminate length.

The broken line showing of mounting brackets in FIGS. 1, 10 and 11 are for illustrative purposes only and form no part of the claimed design.

**1 Claim, 3 Drawing Sheets**





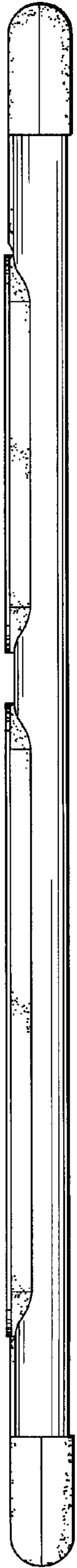


FIG. 4



FIG. 5



FIG. 6



FIG. 7

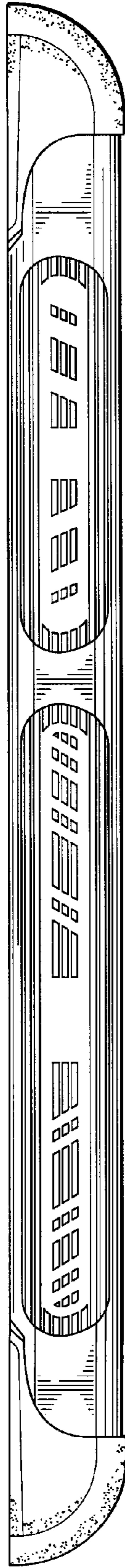


FIG. 8

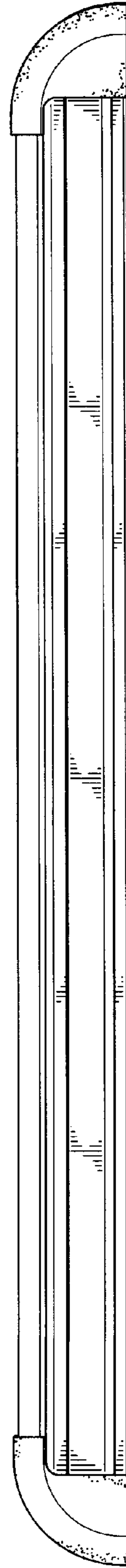


FIG. 9



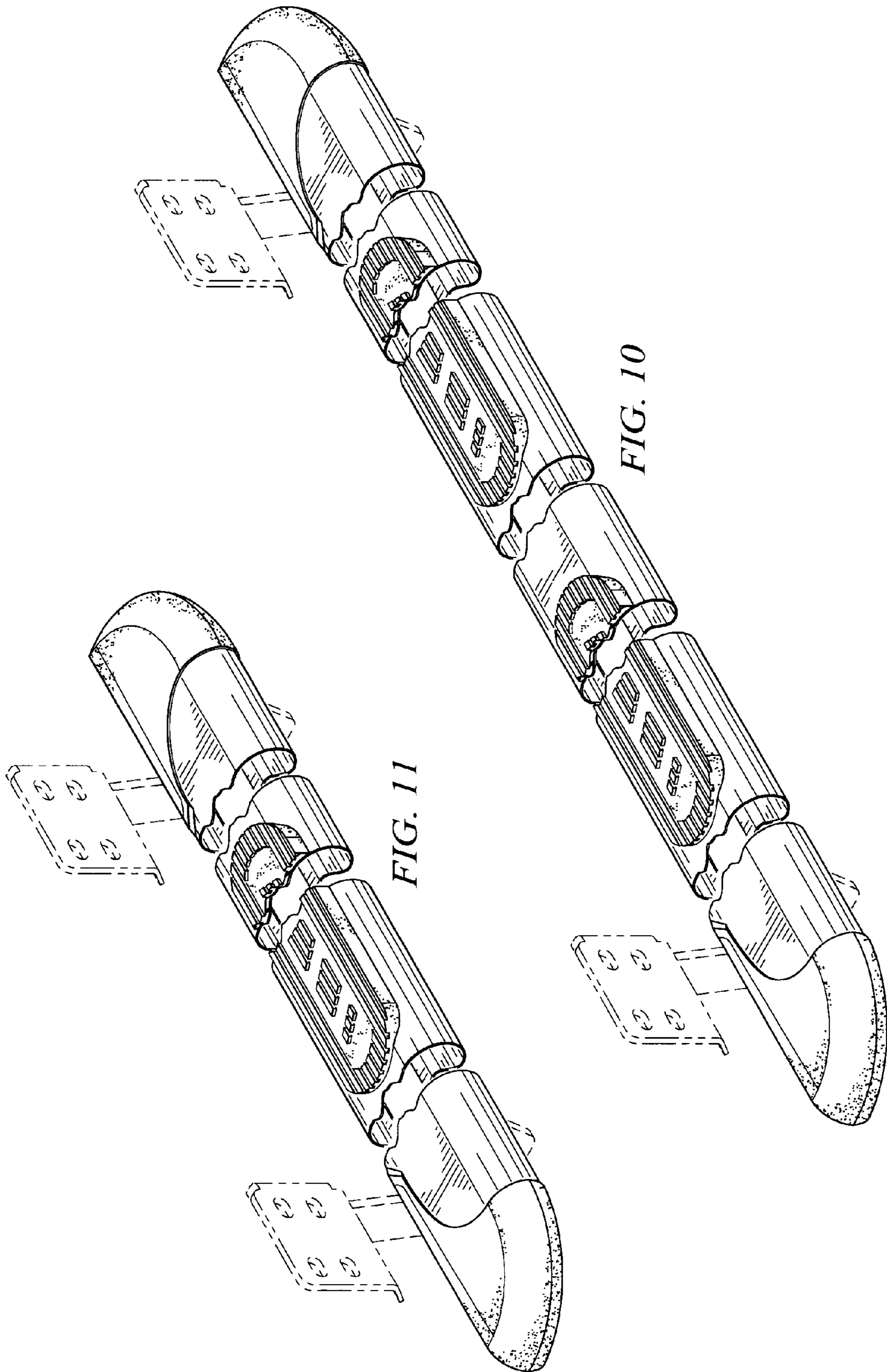


FIG. 10

FIG. 11