



US00D535923S

(12) **United States Design Patent**
Katoh

(10) **Patent No.:** **US D535,923 S**

(45) **Date of Patent:** **** Jan. 30, 2007**

(54) **BUMPER GUARD FOR AN AUTOMOBILE**

D422,953 S * 4/2000 Waagenaar D12/171

D432,469 S * 10/2000 Nelson D12/169

D440,530 S * 4/2001 Geisler D12/171

(75) Inventor: **Hisato Katoh**, Sakai (JP)

* cited by examiner

(73) Assignee: **Kubota Corporation**, Osaka (JP)

Primary Examiner—Melody N. Brown

(**) Term: **14 Years**

(74) *Attorney, Agent, or Firm*—The Webb Law Firm

(21) Appl. No.: **29/211,267**

(57) **CLAIM**

(22) Filed: **Aug. 12, 2004**

The ornamental design of a bumper guard for an automobile, as shown and described.

(30) **Foreign Application Priority Data**

Jun. 3, 2004 (JP) 2004-016506

DESCRIPTION

(51) **LOC (8) Cl.** **12-16**

FIG. 1 is a Front View of my bumper guard for an automobile;

(52) **U.S. Cl.** **D12/171**

FIG. 2 is a Rear View thereof;

(58) **Field of Classification Search** D12/171,

FIG. 3 is a Right Side View thereof;

D12/163; 293/102, 103, 115, 120, 121, 144;

FIG. 4 is a Top Plan View thereof;

180/86.1

FIG. 5 is a Bottom View thereof;

See application file for complete search history.

FIG. 6 is an Enlarged Section View taken on line 6—6 thereof;

(56) **References Cited**

FIG. 7 is a Perspective View thereof; and,

U.S. PATENT DOCUMENTS

FIG. 8 is a Perspective View of the bumper guard mounted upon a vehicle whereby the broken lines in this figure illustrate the bumper within its intended environment and these broken lines form no part of the claimed design.

D361,316 S * 8/1995 Orth et al. D12/171

D384,625 S * 10/1997 Thorne et al. D12/171

D410,876 S * 6/1999 Bangle D12/169

D416,219 S * 11/1999 Waagenaar D12/171

1 Claim, 8 Drawing Sheets

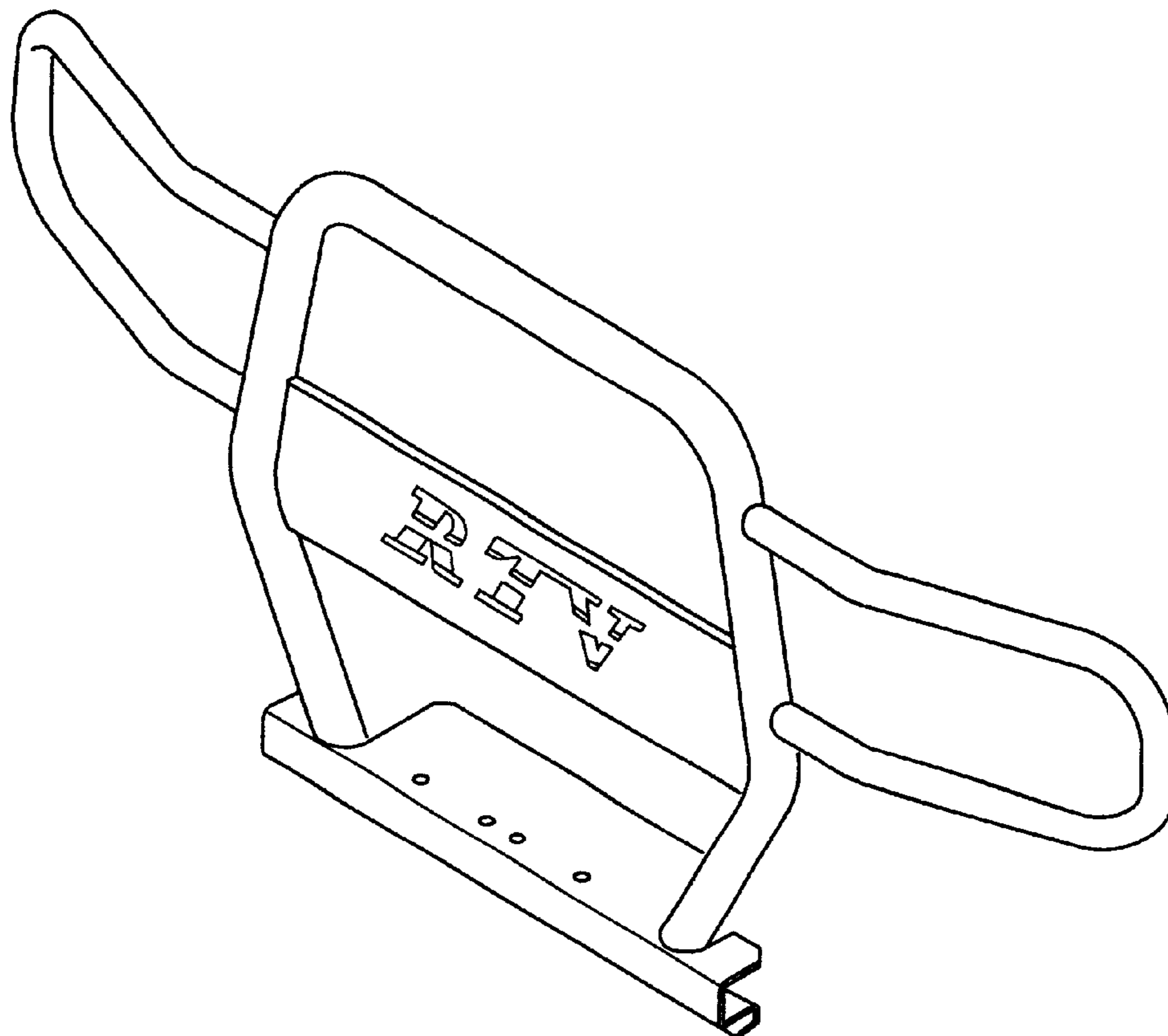


FIG. 1

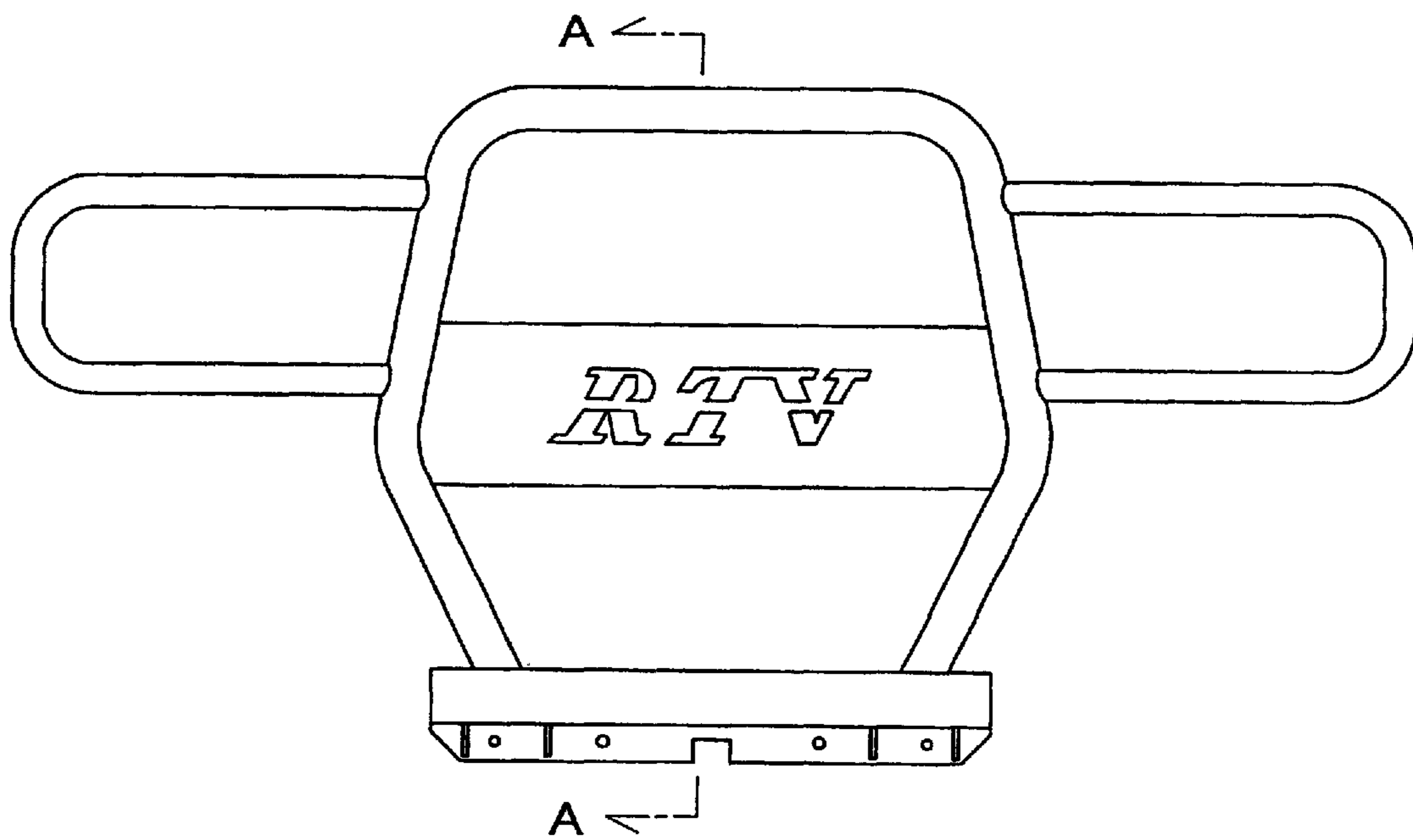


FIG. 2

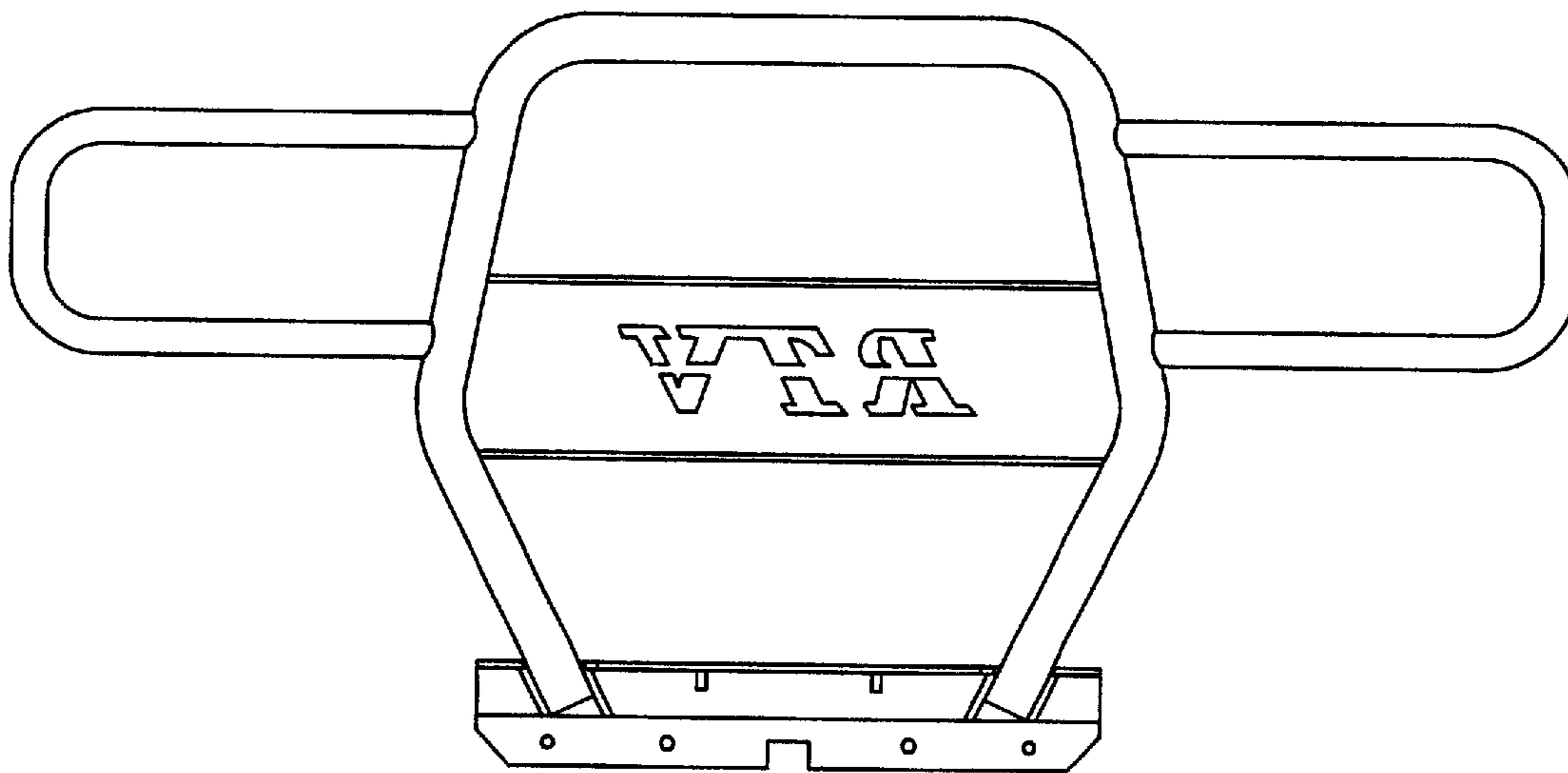


FIG. 3

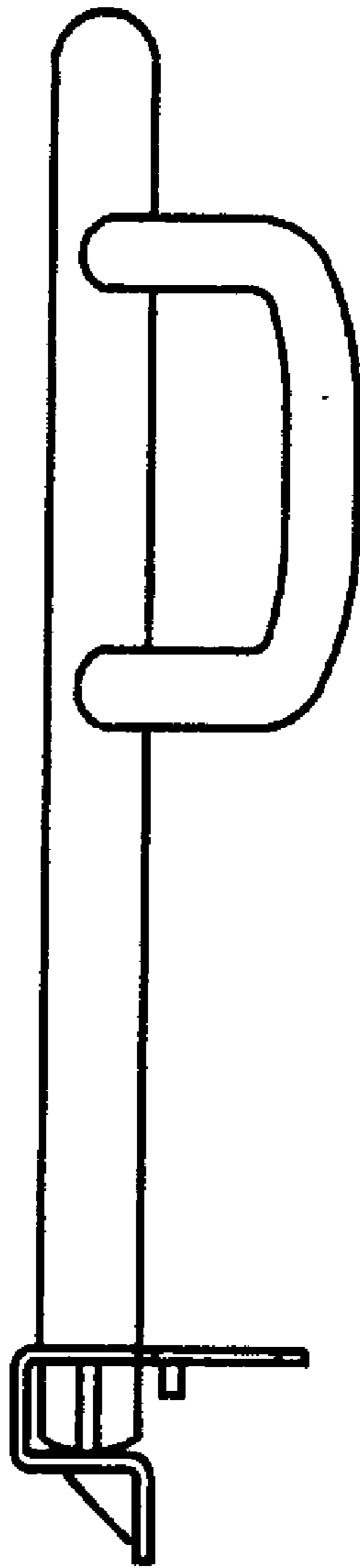


FIG. 4

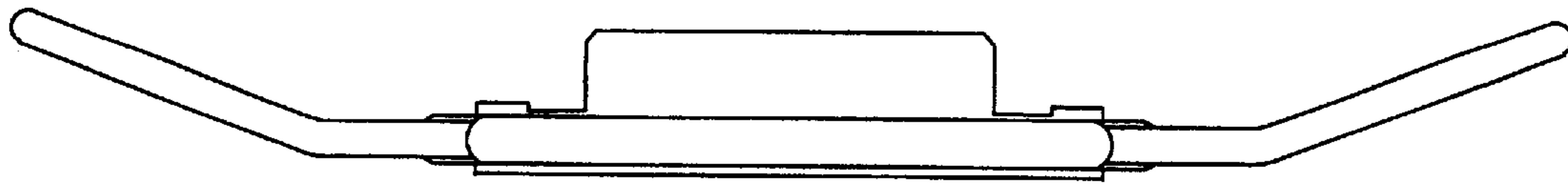


FIG. 5

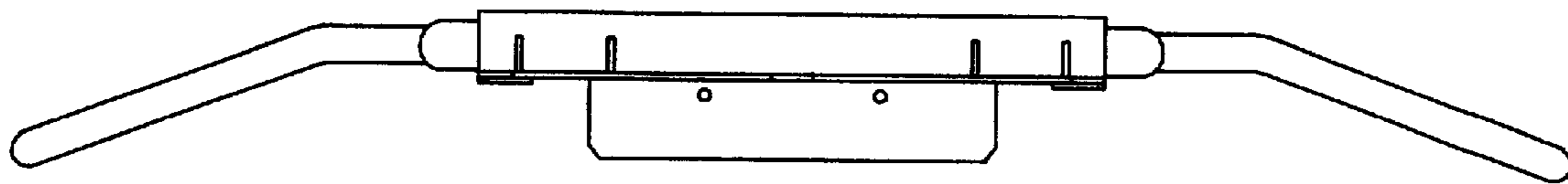


FIG. 6

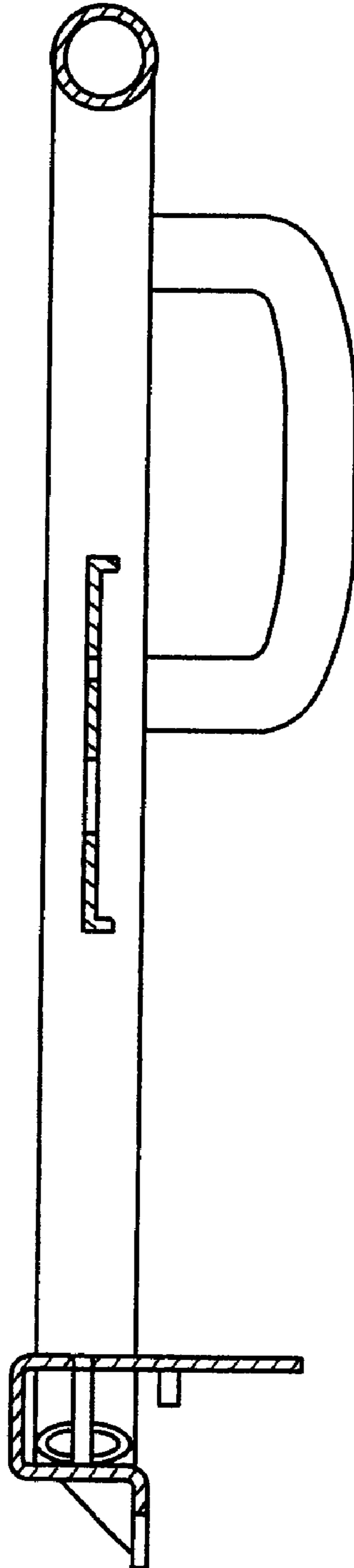


FIG. 7

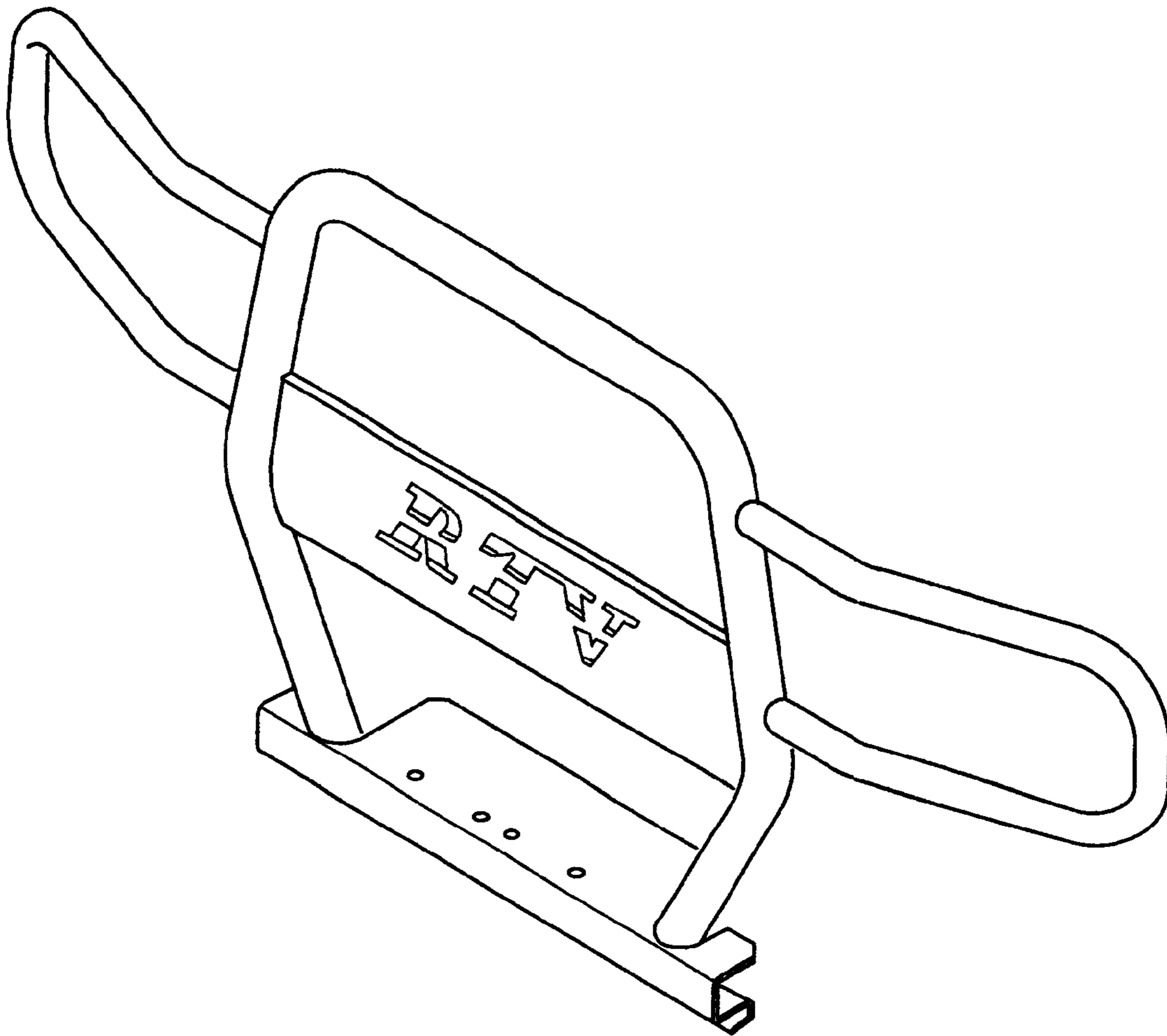
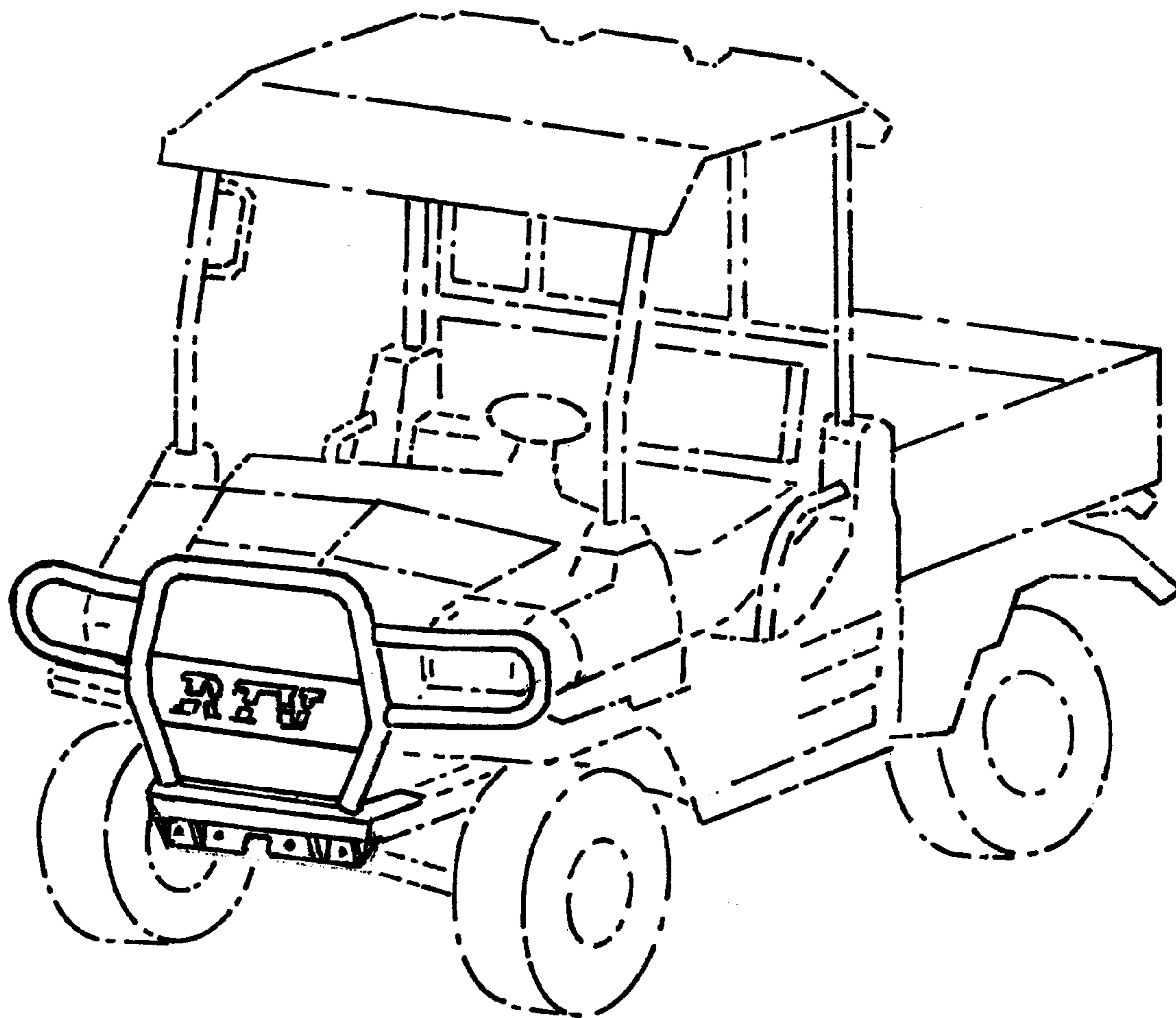


FIG. 8



UNITED STATES PATENT AND TRADEMARK OFFICE
CERTIFICATE OF CORRECTION

PATENT NO. : Des. 535,923 S
APPLICATION NO. : 29/211267
DATED : January 30, 2007
INVENTOR(S) : Katoh

Page 1 of 2

It is certified that error appears in the above-identified patent and that said Letters Patent is hereby corrected as shown below:

The sheet of drawing consisting of figure 1 should be deleted to appear as per attached figure 1.

Signed and Sealed this

Twentieth Day of November, 2007

A handwritten signature in black ink on a light gray dotted background. The signature reads "Jon W. Dudas" in a cursive style.

JON W. DUDAS

Director of the United States Patent and Trademark Office

FIG. 1

