



US00D535921S

(12) **United States Design Patent**
Waller

(10) **Patent No.:** **US D535,921 S**

(45) **Date of Patent:** **** Jan. 30, 2007**

(54) **WHEELCHAIR SHOPPING BASKET**

(76) Inventor: **Maryanna Waller**, 2555 Grant 56,
Sheridan, AR (US) 72150

(**) Term: **14 Years**

(21) Appl. No.: **29/215,454**

(22) Filed: **Oct. 17, 2005**

(51) **LOC (8) Cl.** **12-12**

(52) **U.S. Cl.** **D12/133**

(58) **Field of Classification Search** D12/128-133;
224/42.45, 42.46, 273; 297/DIG. 4
See application file for complete search history.

D329,029 S	9/1992	Chapman, II	
D333,114 S	* 2/1993	Taylor	D12/133
5,288,001 A	2/1994	Locarno	
5,356,059 A	* 10/1994	Yanez et al.	224/407
D383,283 S	9/1997	Hankins, III	
5,813,582 A	9/1998	Wright	
D444,605 S	* 7/2001	Porter	D34/27
D451,054 S	11/2001	Thom	

* cited by examiner

Primary Examiner—Marcus A. Jackson

(74) *Attorney, Agent, or Firm*—Stephen D. Carver

(57) **CLAIM**

The ornamental design for a wheelchair shopping basket, as shown.

(56) **References Cited**

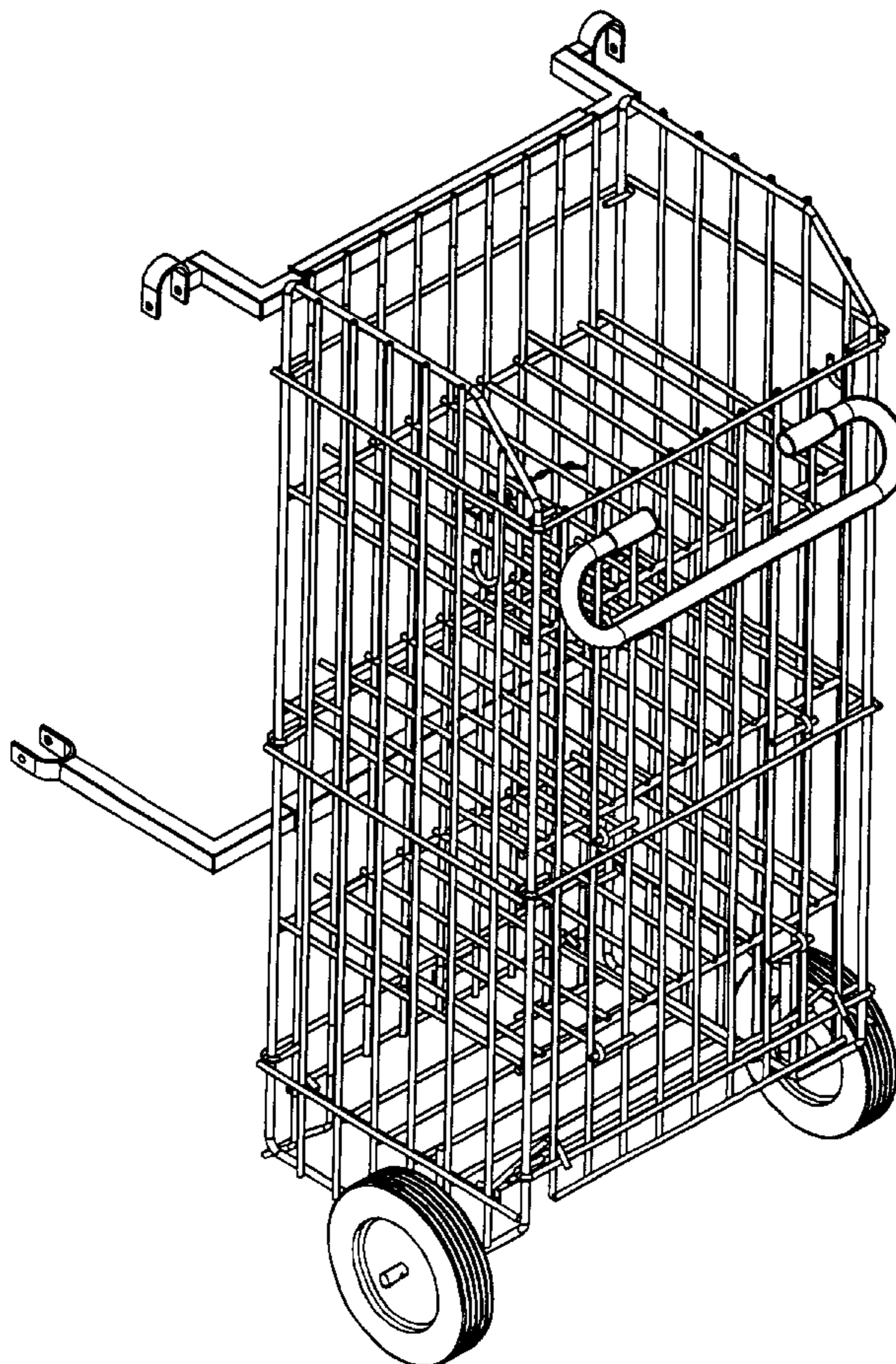
U.S. PATENT DOCUMENTS

2,558,372 A	6/1951	Nidermayer, Jr.
D246,362 S	11/1977	Levin
4,158,428 A	6/1979	Bates
4,449,750 A	5/1984	Pultman
4,526,419 A	7/1985	Bowman
4,577,903 A	3/1986	Wells
4,580,803 A	4/1986	Davis
4,795,182 A	1/1989	Dyess
4,861,059 A	8/1989	Shirk

DESCRIPTION

FIG. 1 is a rear isometric view showing my new design;
FIG. 2 is a front isometric view thereof;
FIG. 3 is a front elevational view thereof;
FIG. 4 is a left side elevational view thereof;
FIG. 5 is a right side elevational view thereof;
FIG. 6 is a top plan view thereof;
FIG. 7 is a bottom plan view thereof; and,
FIG. 8 is a rear plan view thereof.

1 Claim, 8 Drawing Sheets



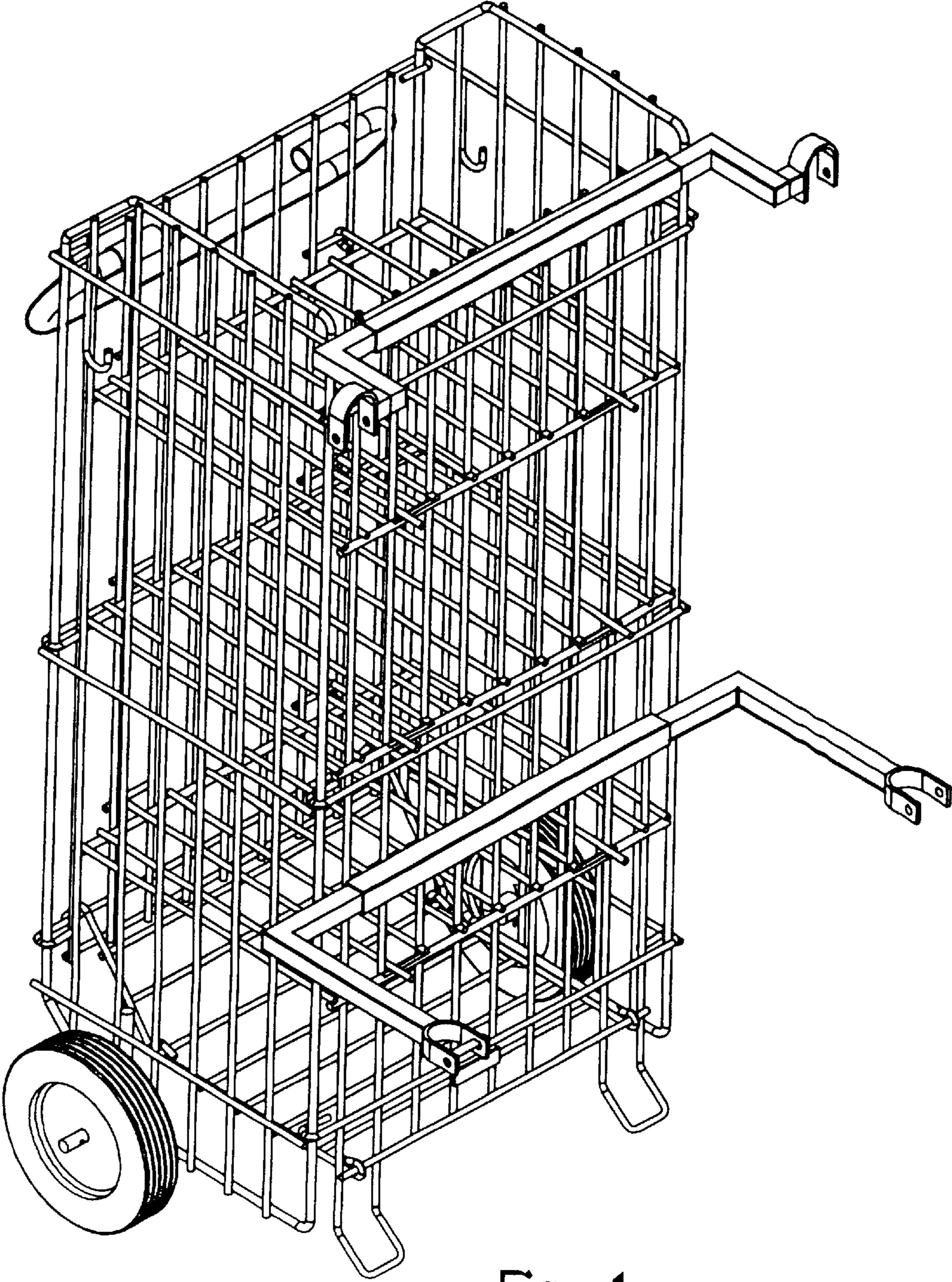


Fig. 1

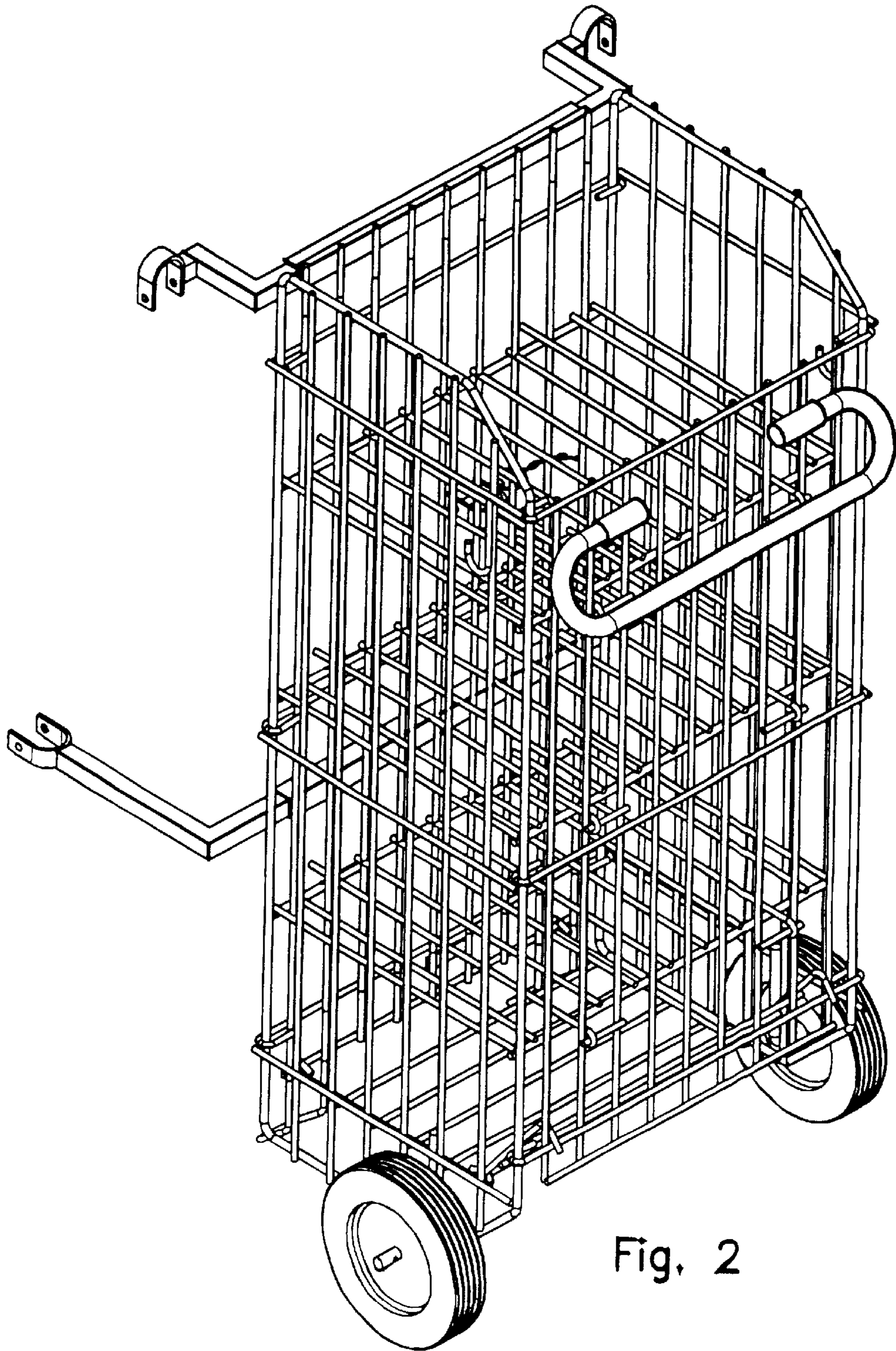


Fig. 2

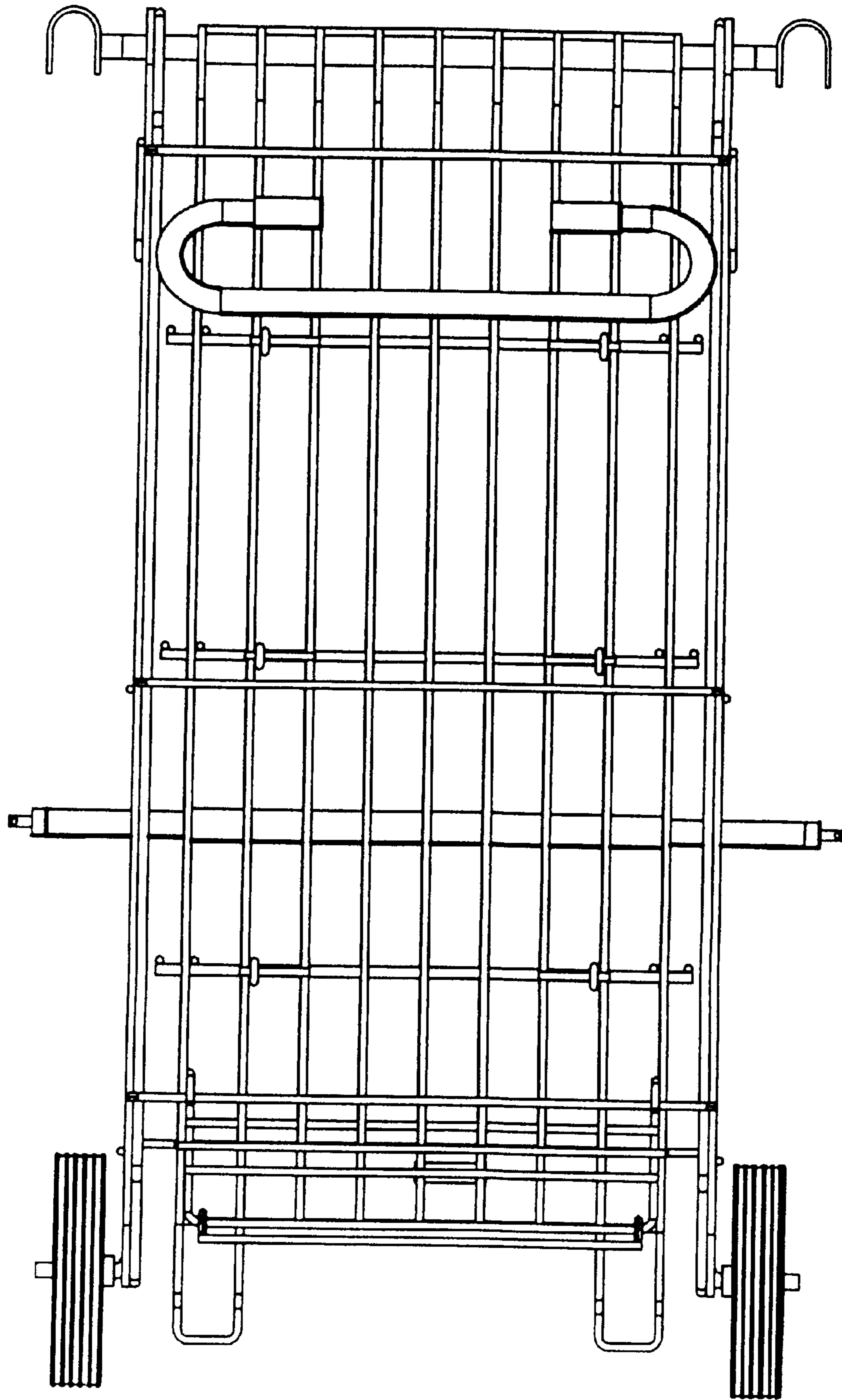


Fig. 3

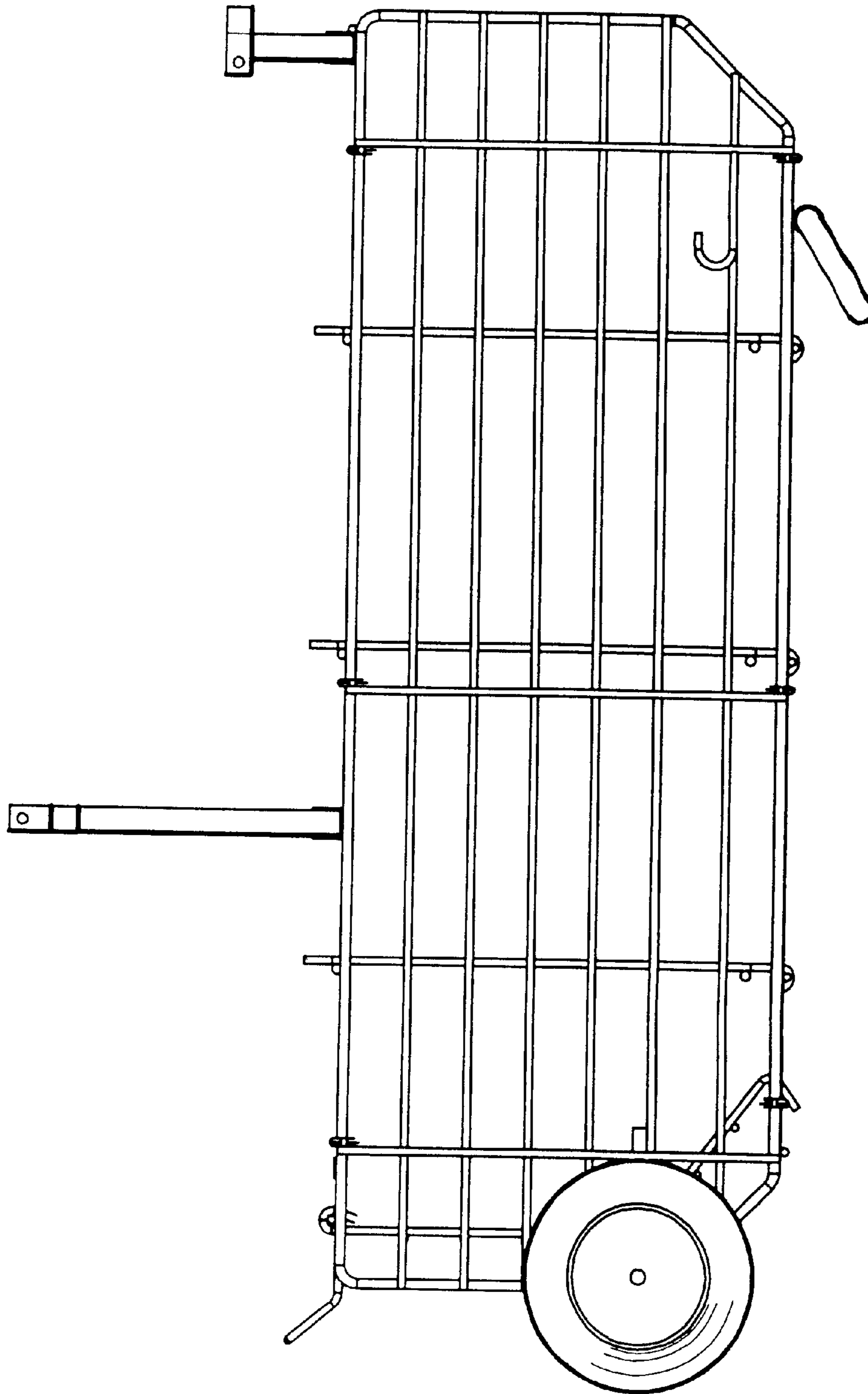


Fig. 4

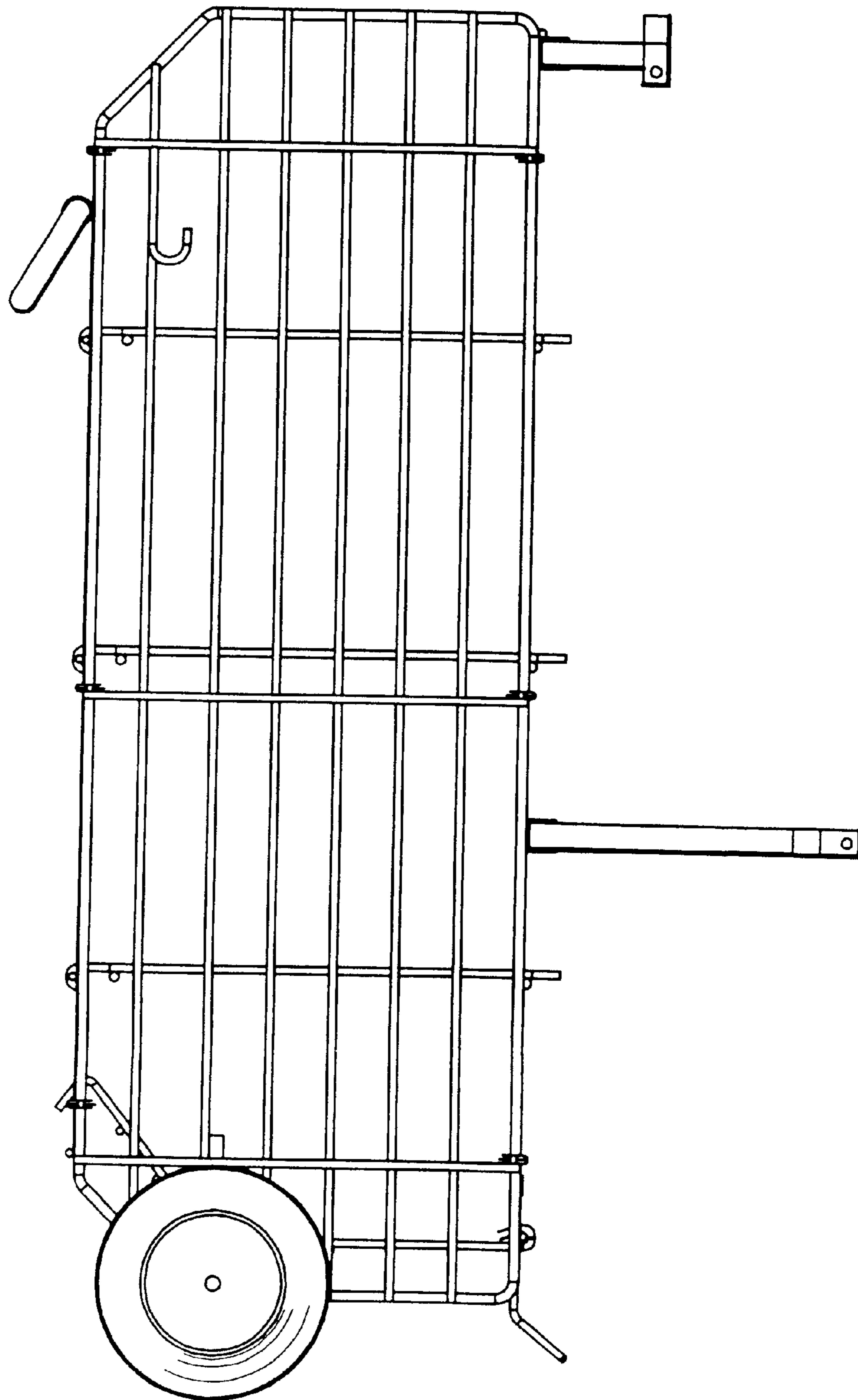


Fig. 5

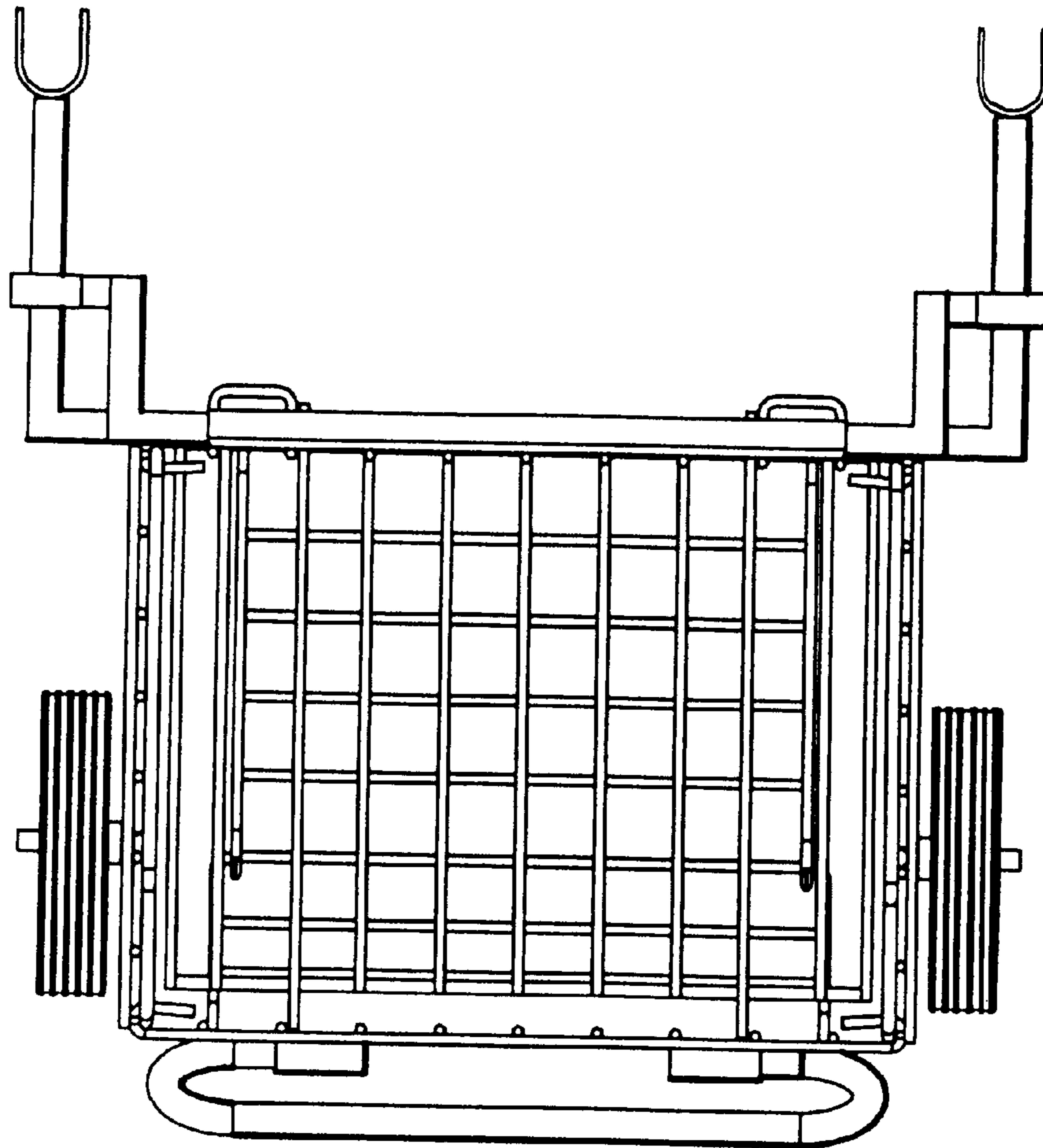


Fig. 6

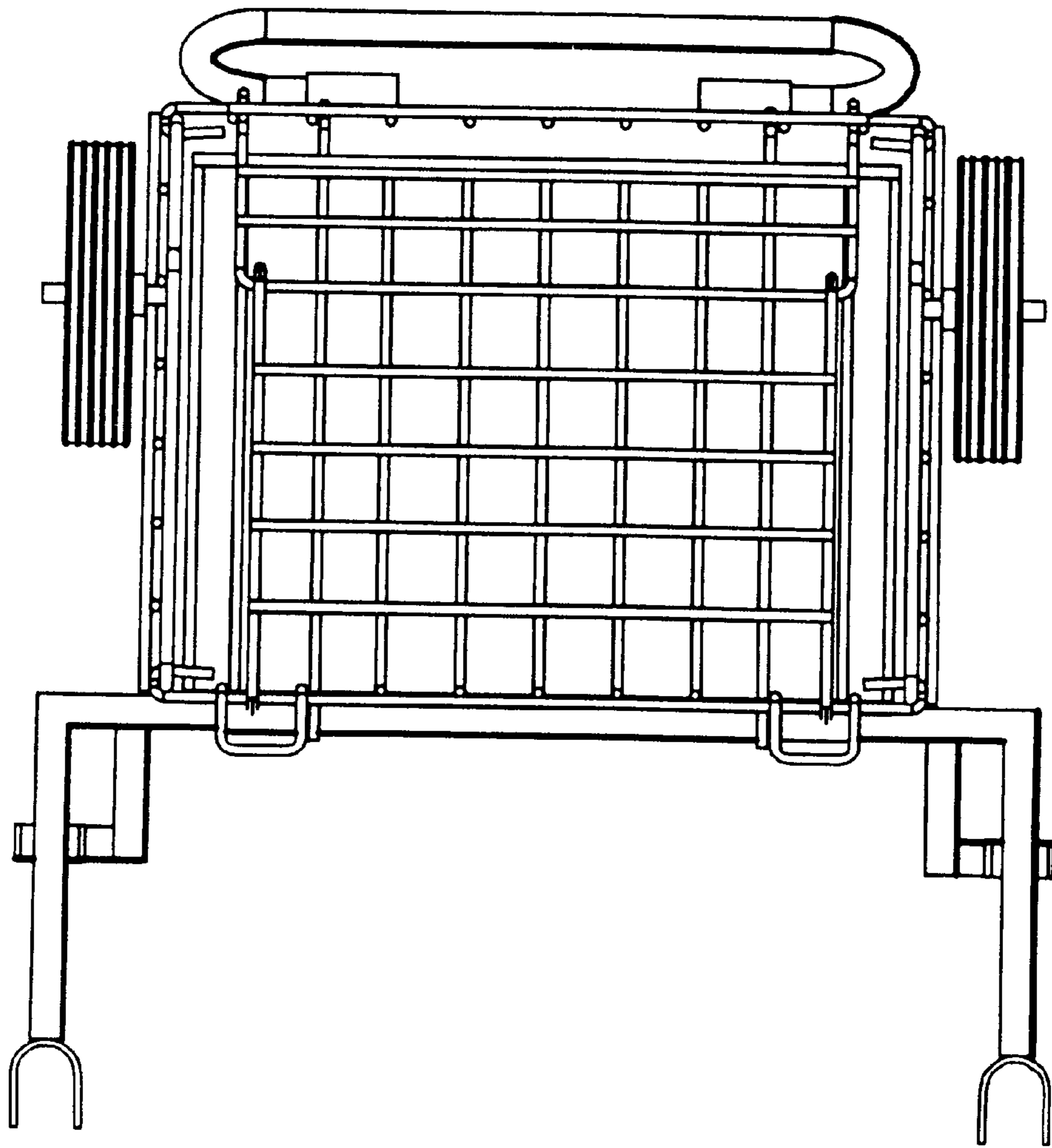


Fig. 7

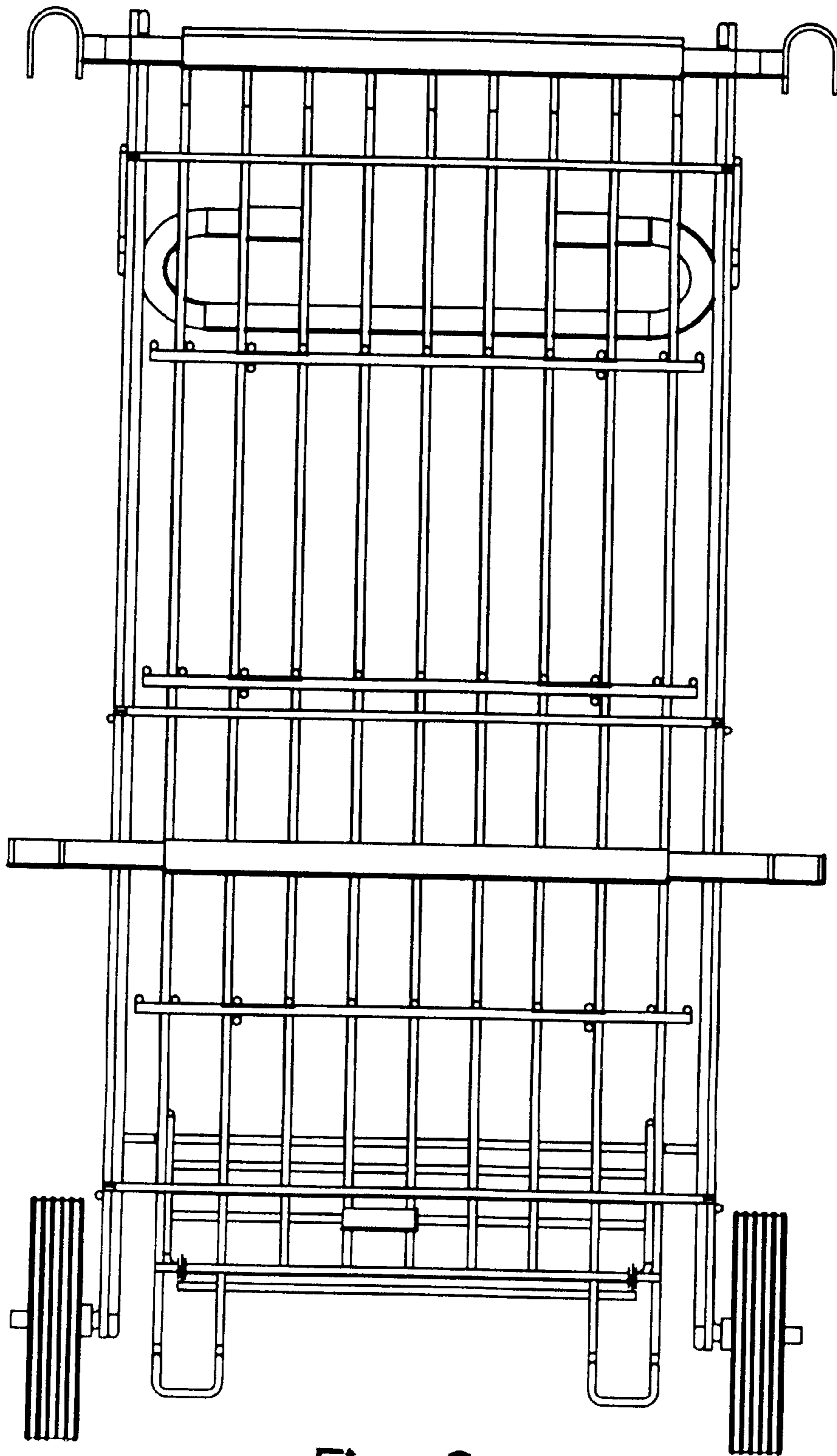


Fig. 8