



US00D535920S

(12) **United States Design Patent** (10) **Patent No.:** **US D535,920 S**  
**Tomcany et al.** (45) **Date of Patent:** **\*\* Jan. 30, 2007**

(54) **PAD FOR HEAD AND NECK RESTRAINT**

4,571,757 A 2/1986 Zolecki  
4,583,725 A 4/1986 Arnold  
4,592,352 A 6/1986 Patil  
4,640,275 A 2/1987 Buzzese et al.

(76) Inventors: **Brian Tomcany**, 19431 Blue Spruce Dr., Strongsville, OH (US) 44149;  
**Ronald Rich**, 16233 Roselawn Dr., Burton, OH (US) 44021

(Continued)

(\*\*) Term: **14 Years**

FOREIGN PATENT DOCUMENTS

EP 0123474 10/1984

(21) Appl. No.: **29/209,955**

OTHER PUBLICATIONS

(22) Filed: **Jul. 23, 2004**

(51) **LOC (8) Cl.** ..... **12-12**

(52) **U.S. Cl.** ..... **D12/133; D24/191**

(58) **Field of Classification Search** ..... D12/133;  
D24/191; 297/284.1, 284.3, 284.4, 284.7;  
602/5, 6, 17, 18; 128/869, 870

Alliance Medical Catalog, *Morrison Medical New & Improved Head Vise™ II Head Immobilizer*, <http://www.all-med.net/catlog/showitem.php/3445>, Sep. 29, 2002, p. 1.  
Alliance Medical Catalog, *Laerdal® Speedblocks® Head Immobilizer*, <http://www.allmed.net/catalog/showitem.php/3431>, Sep. 29, 2002, pp. 1.

See application file for complete search history.

(Continued)

(56) **References Cited**

*Primary Examiner*—Marcus A. Jackson

(74) *Attorney, Agent, or Firm*—Wood, Herron & Evans, LLP

U.S. PATENT DOCUMENTS

2,377,940 A	8/1945	Hughes	
2,452,816 A	11/1948	Wagner	
2,511,061 A	6/1950	Hughes	
2,675,564 A	4/1954	Hughes	
3,293,667 A	12/1966	Ohrberg	
3,381,684 A	5/1968	Anderson	
3,449,776 A	6/1969	Brock	
3,566,422 A	3/1971	Klippel	
3,650,523 A	3/1972	Darby, Jr.	
3,653,079 A	4/1972	Bourgraf et al.	5/82
3,672,364 A	6/1972	Rankin	
3,707,734 A	1/1973	Matthews	5/82
3,737,923 A	6/1973	Prolo	5/82
3,775,782 A	12/1973	Rice et al.	5/82
3,844,550 A	10/1974	McGuire	
4,033,000 A	7/1977	Bonifay	5/82
4,124,908 A	11/1978	Burns et al.	5/82
4,221,213 A	9/1980	Gregory et al.	
4,252,113 A	2/1981	Scire	
4,267,830 A	5/1981	Vick	
4,369,982 A	1/1983	Hein et al.	280/47.13
4,463,758 A	8/1984	Patil et al.	
4,480,345 A	11/1984	Dunn	5/82
4,526,355 A	7/1985	Moore et al.	

(57) **CLAIM**

The ornamental design for a pad for head and neck restraint, as shown and described.

**DESCRIPTION**

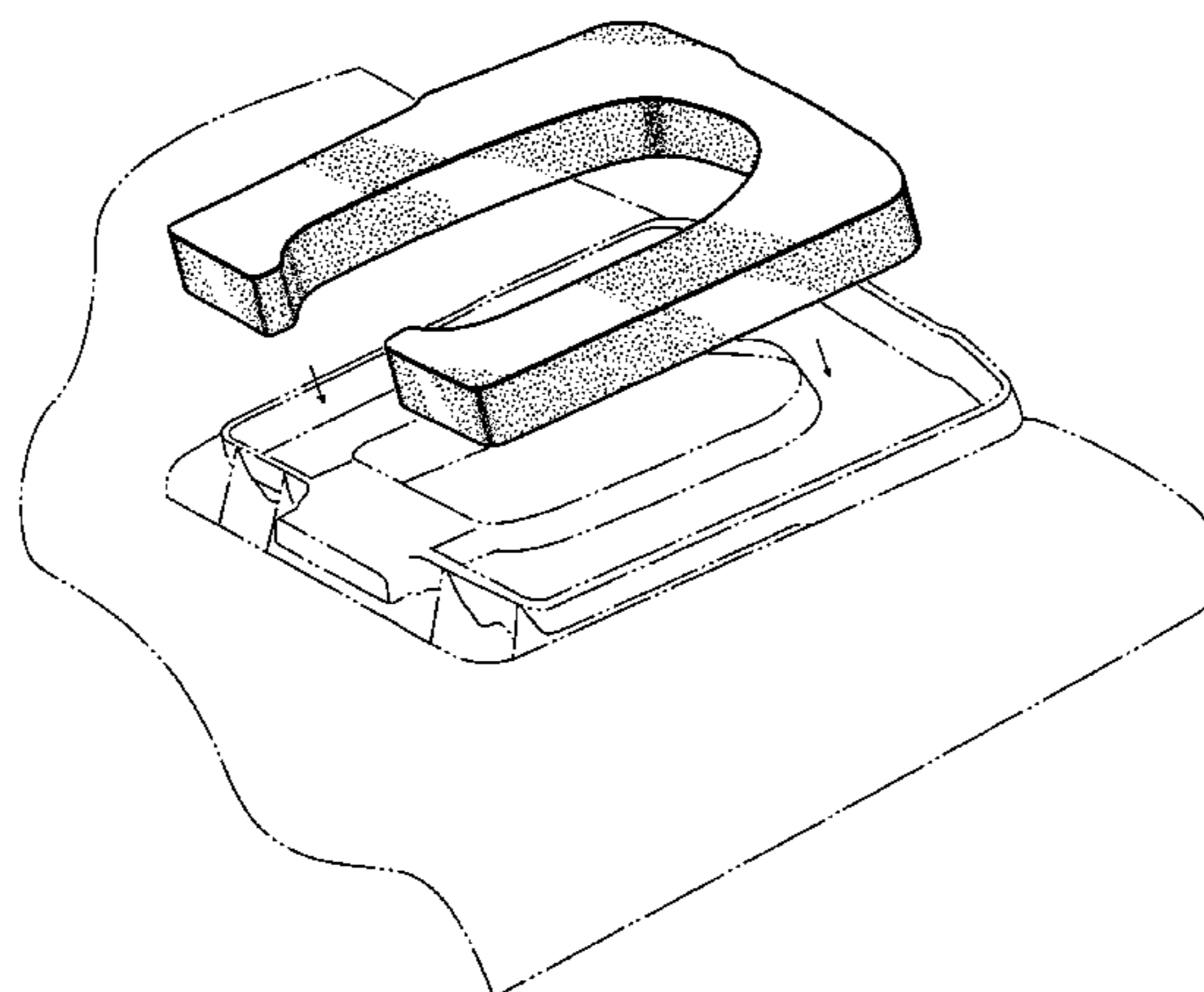
FIG. 1 is a front perspective view of the pad of the design invention shown being positioned in a head and neck restraint paddle, which is shown in dash-dot lines or phantom form;

FIG. 2 is a front view of the pad of FIG. 1; the rear view is a mirror image;

FIG. 3 is a left side elevational view of the pad of FIG. 1; FIG. 4 is right side elevational view of the pad of FIG. 1; FIG. 5 is a top view of the pad of FIG. 1; and, FIG. 6 is a bottom view of the pad of FIG. 1.

The elements shown in dash-dot lines or phantom form no part of the claimed invention in this application, and are instead included to show environmental aspects of the design of the claimed invention.

**1 Claim, 2 Drawing Sheets**



## U.S. PATENT DOCUMENTS

4,766,892	A	8/1988	Kreitman	
4,771,493	A	9/1988	Park	
4,794,656	A	1/1989	Henley, Jr.	
4,928,711	A	5/1990	Williams	128/869
5,090,073	A	2/1992	Nordan et al.	
5,154,186	A	10/1992	Laurin et al.	
5,179,746	A	1/1993	Rogers	
5,201,089	A	4/1993	Ferreira	5/627
5,207,716	A	5/1993	McReynolds et al.	
5,211,185	A	5/1993	Garth et al.	128/870
D338,177	S	8/1993	Kimball	
5,265,625	A	11/1993	Bodman	128/869
5,390,383	A	2/1995	Carn	
5,395,158	A *	3/1995	Cordia	297/393
5,492,285	A	2/1996	Hamrick	
D367,834	S *	3/1996	Beavers et al.	D12/133
5,524,640	A	6/1996	Lisak et al.	
5,568,662	A	10/1996	Gougelet	
5,657,766	A	8/1997	Durham	128/870
5,729,850	A	3/1998	Eskeli	5/621
D403,423	S	12/1998	Bologovsky et al.	
5,944,016	A	8/1999	Ferko, III	128/869
5,950,627	A	9/1999	Bologovsky et al.	128/869
D425,992	S *	5/2000	Davis et al.	D24/189
6,138,304	A	10/2000	Lipsky et al.	
6,170,486	B1	1/2001	Islava	128/869
6,244,270	B1	6/2001	Lutian et al.	128/869
6,298,507	B1	10/2001	Clyburn	
6,311,349	B1	11/2001	Kazakia et al.	
6,327,723	B1	12/2001	Knight	5/628
D462,448	S *	9/2002	Huttner	D24/191
6,443,157	B1	9/2002	Sargent	128/870
D469,541	S *	1/2003	Cheatham	D24/191
6,637,057	B1	10/2003	Phillips et al.	
6,659,104	B1	12/2003	Kiefer et al.	
2002/0073487	A1	6/2002	Phillips et al.	
2002/0157186	A1	10/2002	VanSteenburg et al.	

## OTHER PUBLICATIONS

Alliance Medical Catalog, *Laerdal® BaXstrap® Spineboard*, <http://www.allmed.net/catalog/showitem.php/3454>, Sep. 29, 2002, p. 1.

Alliance Medical Catalog, *Allied LSP HDx® Backboard*, <http://www.allmed.net/catalog/showitem.php/3453>, Sep. 29, 2002, pp. 1–2.

Alliance Medical Catalog, *Morrison Medical Sticky Blocks™ Head Immobilizers*, <http://www.allmed.net/catalog/showitem.php/4396>, Sep. 29, 2002, p. 1.

Alliance Medical Catalog, *Dispos-A-Board® Backboard*, <http://www.allmed.net/catalog/showitem.php/3463>, Sep. 29, 2002, pp. 1–2.

Alliance Medical Catalog, *Bashaw Rough Terrain CID*, <http://www.allmed.net/catalog/showitem.php/3434>, Sep. 29, 2002, p. 1.

Alliance Medical Catalog, *Allied LSP SpineX® Backboard*, <http://www.allmed.net/catalog/showitem.php/3449>, Sep. 29, 2002, p. 1.

Alliance Medical Catalog, *Allied LSP Stabilizer® Backboard*, <http://www.allmed.net/catalog/showitem.php/3450>, Sep. 29, 2002, p. 1.

Alliance Medical Catalog, *I-Tec® Multi-Grip Head Immobilizer*, <http://www.allmed.net/catlog/showitem.php/3438>, Sep. 29, 2002, p. 1.

Alliance Medical Catalog, *EP&R Bak-Pak*, <http://www.allmed.net/catalog/showitem.php/4115>, Sep. 29, 2002, p. 1.

Alliance Medical Catalog, *STI Sta-BLok™ Head Immobilizer*, <http://www.allmed.net/catalog/showitem.php/3446>, Sep. 29, 2002, p. 1.

Alliance Medical Catalog, *Morrison Medical Head Vise™ I Reusable Head Immobilizer*, <http://www.allmed.net/catalog/showitem.php/3444>, Sep. 29, 2002, p. 1.

Alliance Medical Catalog, *Bashaw Infant CID*, <http://www.allmed.net/catalog/showitem.php/4124>, Sep. 29, 2002, pp. 1–2.

Alliance Medical Catalog, *Morrison Medical Head Blocks?™ Set, With Straps*, <http://www.allmed.net/catalog/showitem.php/4401>, Sep. 29, 2002, pp. 1–2.

Alliance Medical Catalog, *Morrison Medical Head Vise™ III*, <http://www.allmed.net/catalog/showitem.php/4410>, Sep. 29, 2002, p. 1.

Alliance Medical Catalog, *Morrison Medical Head Blocks™, Disposable Foam*, <http://www.allmed.net/catalog/showitem.php/4398>, Sep. 29, 2002, p. 1.

Alliance Medical Catalog, *Laerdal® HeadBed® II Head Immobilization Device*, <http://www.allmed.net/catalog/showitem.php/3432>, Sep. 29, 2002, p. 1.

Dispos-O-Bag, *Dispos-O-Bag® Head-On® Block*, <http://www.allmed.net/catalog/showitem.php/3441>, Sep. 29, 2002, p. 1.

Pro-Lite XT, *Pr-Lite XT®*; <http://www.allmed.net/catalog/showitem.php/3447>, Sep. 29, 2002, pp. 1–2.

Pro-Lite Spineboard, *Pro-Lite Spineboard®*, <http://www.allmed.net/catalog/showitem.php/3448>, Sep. 29, 2002, p. 1.

Bound Tree, *Hoover Headblock*, <http://www.boundtree.com/quickdet.>, Sep. 29, 2002, p. 1.

Brittany Board, *Brittany Board*, <http://www.brittanyboard.com/home.html>, Sep. 29, 2002, p. 1.

Ferno, *Model 445 HeadHugger™ Disposable Head Immobilizer*, <http://emergency.ferno.com/immobilize/model455.htm>, Sep. 29, 2002, p. 1.

Ferno, *Model 445 Universal Head Immobilizrt*, <http://emergency.ferno.com/immobilize/model445.htm>, Sep. 29, 2002, p. 1.

Ferno, *740/750 Series Phenolic Wooden Backboards*, [http://emergency.ferno.com/immobilie/model\\_740\\_750.htm](http://emergency.ferno.com/immobilie/model_740_750.htm), Sep. 29, 2002, p. 1.

Iron Duck Catalog, *Ultra Lock Backboard & Head Loc II*, <http://www.ironduck.com/catalog.epl?ProductID=118>, Sep. 29, 2002, pp. 1–4.

Junkin Safety Appliance Company, *Junkin Safety Backboards*, <http://www.junkinsafety.com/products/backbrd.html>, Sep. 29, 2002, pp. 1–2.

Ferno, *Millenia™ Plastic Backboards*, <http://emergency.ferno.com/immobilize/bckbrds.htm>, Sep. 29, 2002, p. 1.

Morrison Medical, *Morrison Medical—Head Immobilizers*, <http://www.morrisonmed.com/head.htm>, Sep. 29, 2002, pp. 1–2.

NAJO™ Backboards, *NAJO™ Backboards*, <http://reefmedical.com/au/najo>, Sep. 29, 2002, pp. 1–3.

PMX, *PMX Backboard*, <http://www.pmxmedical.com/catalog/page30.html>, Sep. 29, 2002, p. 1.

Reefmedical, *Ambu® NAJO™ Head Wedge*, <http://reefmedical.com.au/headwedge.htm>, Sep. 29, 2002, pp. 1–2.

Reeves, *The Reeves Sleeve®*, <http://www.reevesdecon.com/sleeve.htm>, Sep. 29, 2002, p. 1.

Reeves, *Reeves® Spine Board*, <http://www.pmxmedical.com/catalog/page30.html>, Sep. 29, 2002, p. 1.

\* cited by examiner

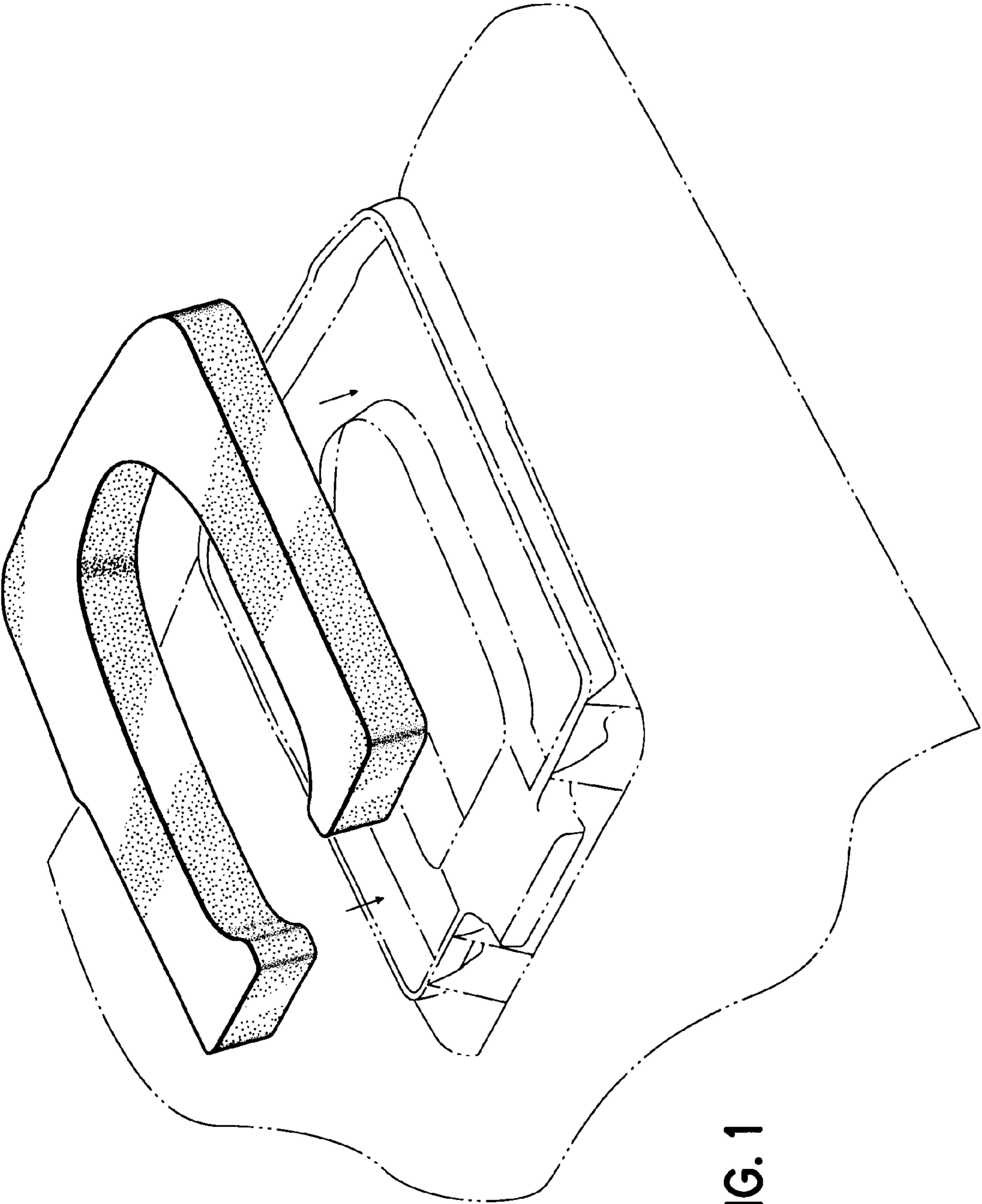


FIG. 1

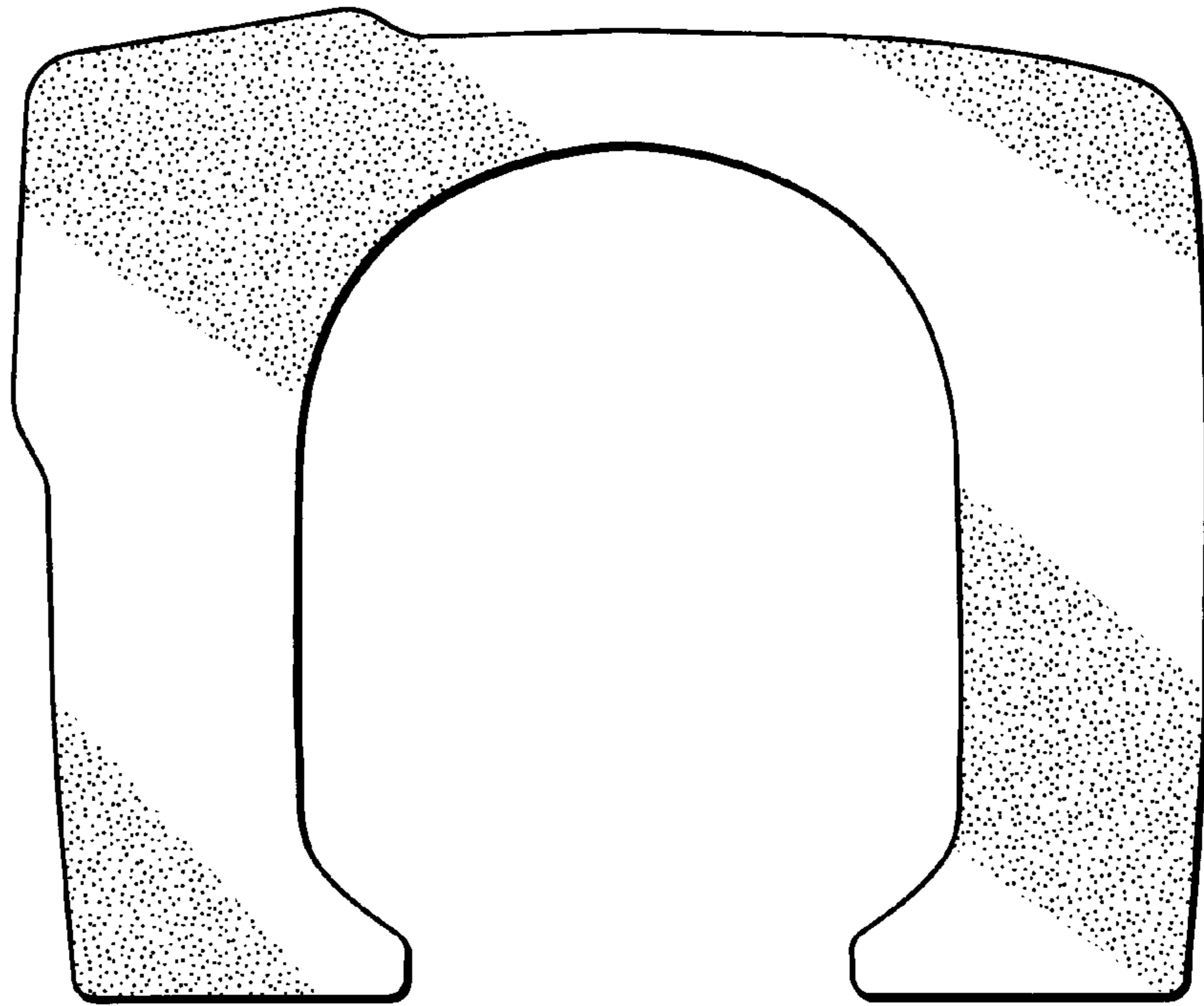


FIG. 2

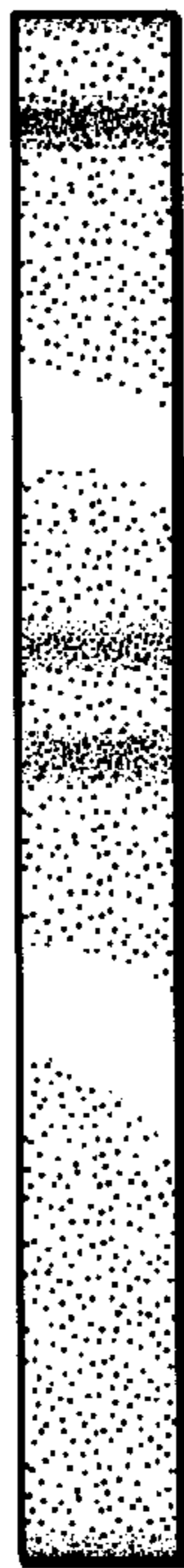


FIG. 3



FIG. 4

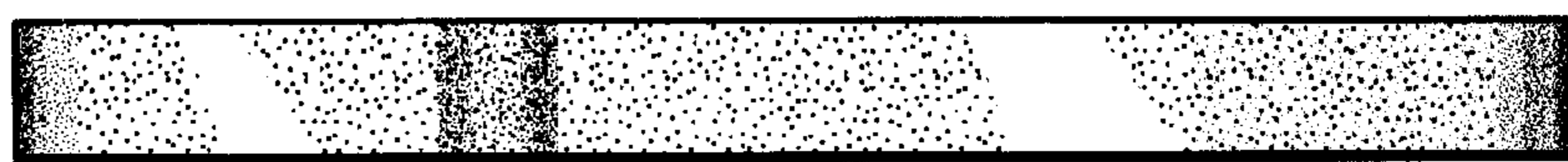


FIG. 5



FIG. 6