



US00D535916S

(12) **United States Design Patent**  
**Mouquet**

(10) **Patent No.:** **US D535,916 S**

(45) **Date of Patent:** **\*\* Jan. 30, 2007**

(54) **CLASP**

(75) Inventor: **Philippe Mouquet**, Paris (FR)

(73) Assignee: **Hermes Sellier**, Paris (FR)

(\*\*) Term: **14 Years**

(21) Appl. No.: **29/236,545**

(22) Filed: **Aug. 16, 2005**

(30) **Foreign Application Priority Data**

Feb. 17, 2005 (WO) ..... DM/066 414  
Feb. 17, 2005 (WO) ..... DM/066 470  
Feb. 17, 2005 (WO) ..... DM/066 412

(51) **LOC (8) Cl.** ..... **02-07**

(52) **U.S. Cl.** ..... **D11/231**

(58) **Field of Classification Search** ..... D11/200-234;  
24/614, 616, 625, 650, 615, 199, 170, 200,  
24/30.5 R, 318; D2/625-629  
See application file for complete search history.

(56) **References Cited**

**U.S. PATENT DOCUMENTS**

D246,552 S \* 12/1977 Baughman ..... D11/231

D454,519 S \* 3/2002 Gruosi ..... D11/231  
D474,130 S \* 5/2003 Rezania ..... D11/231  
D474,713 S \* 5/2003 Eddy ..... D11/201

\* cited by examiner

*Primary Examiner*—Catherine R. Oliver

(74) *Attorney, Agent, or Firm*—Darby & Darby

(57) **CLAIM**

The ornamental design for clasp, as shown and described.

**DESCRIPTION**

FIG. 1 is a front perspective view of a clasp showing my new design;

FIG. 2 is a front elevation view thereof;

FIG. 3 is a right side elevation view thereof;

FIG. 4 is a left side elevation view thereof;

FIG. 5 is a rear elevation view thereof; and,

FIG. 6 is a top plan view thereof, the bottom being a mirror image thereof.

**1 Claim, 2 Drawing Sheets**

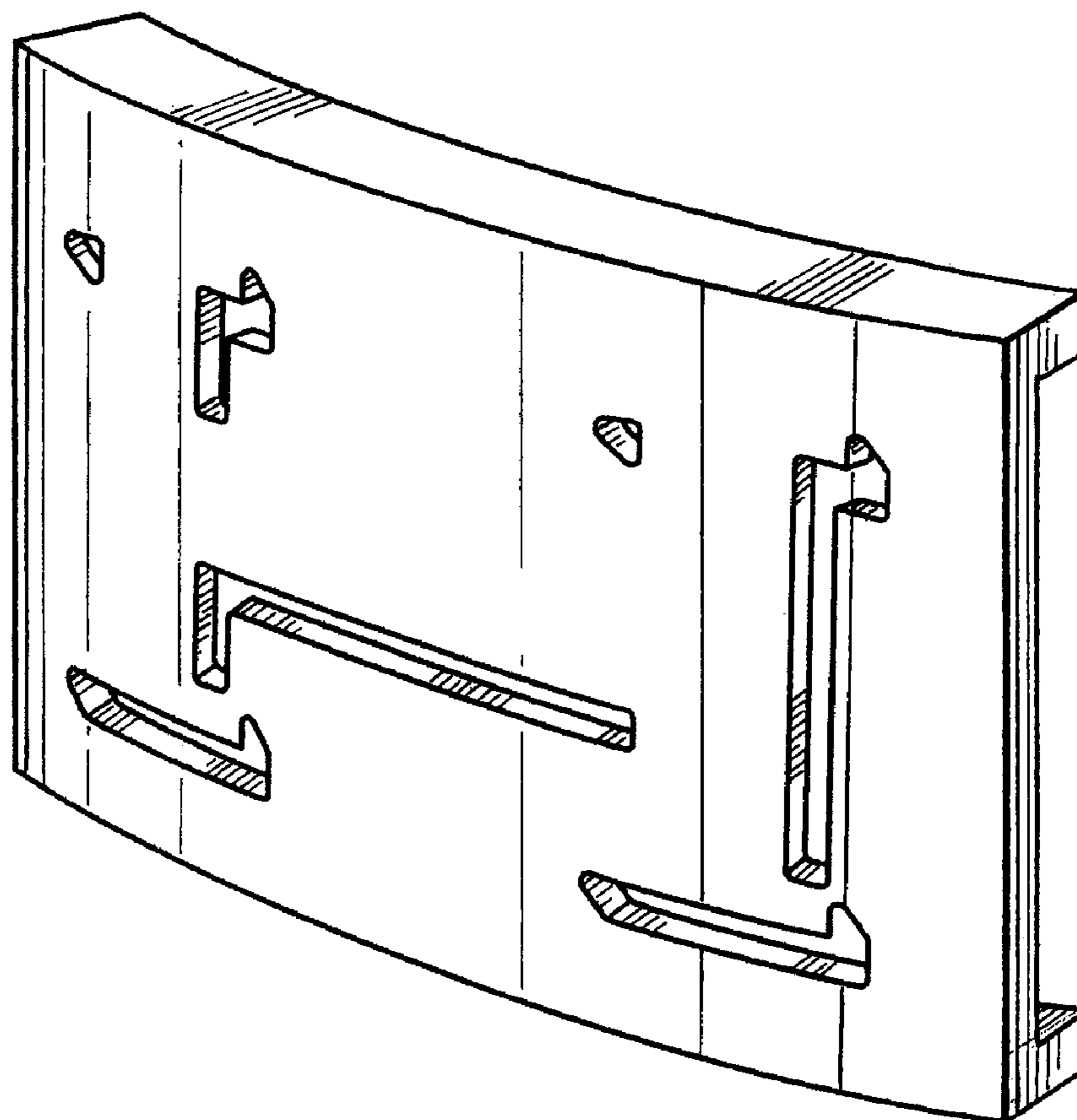


FIGURE 1

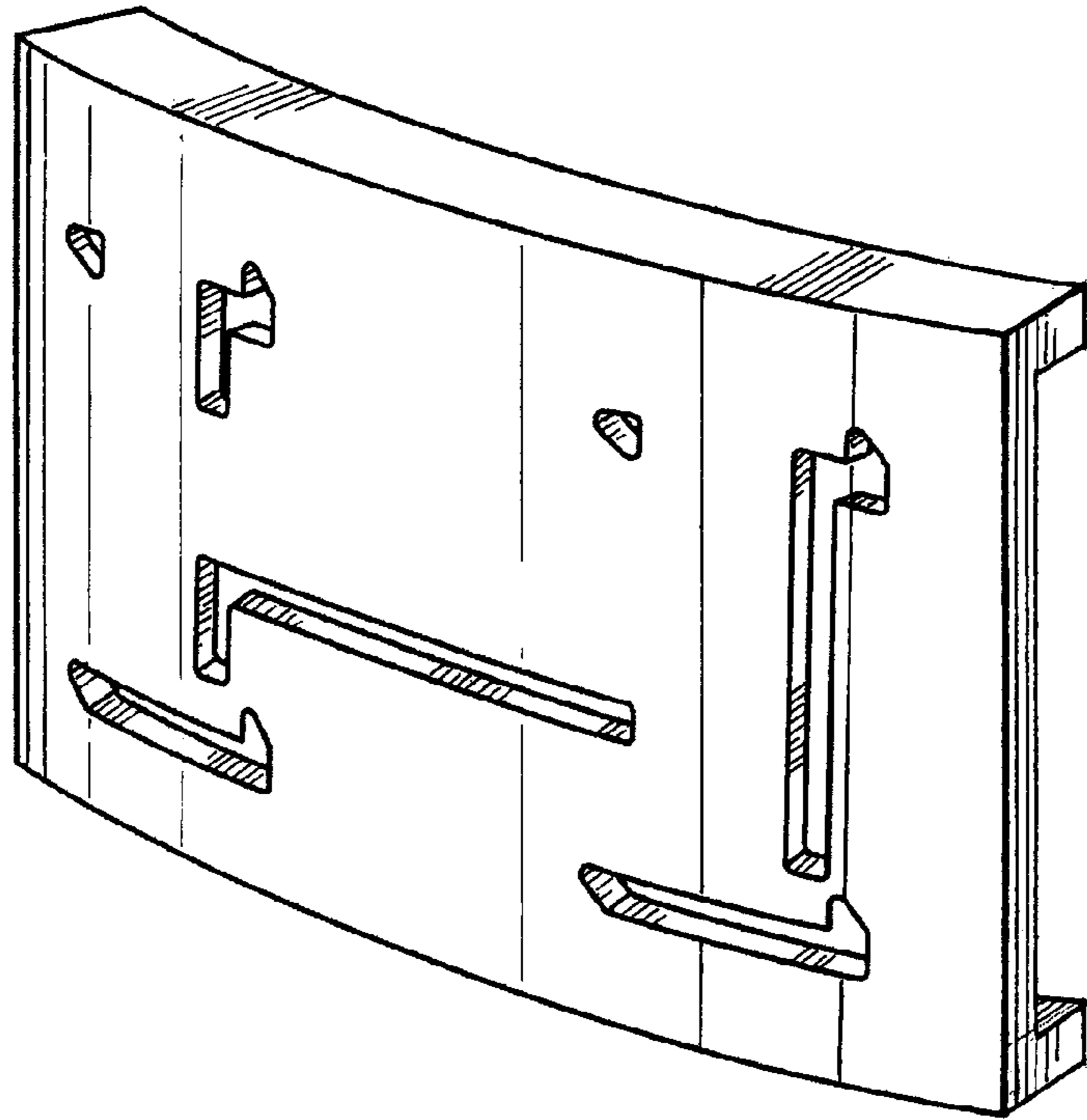
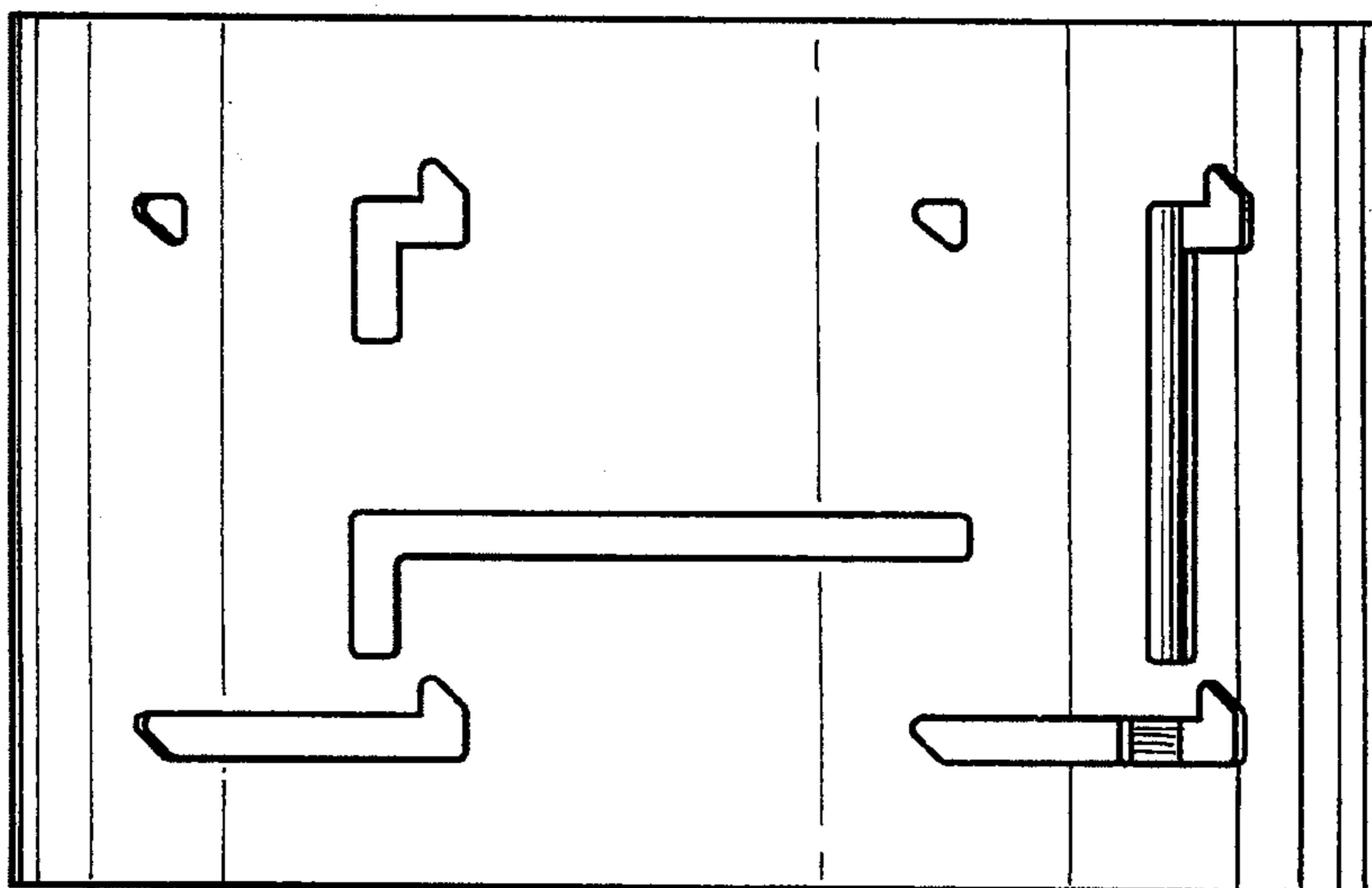


FIGURE 2



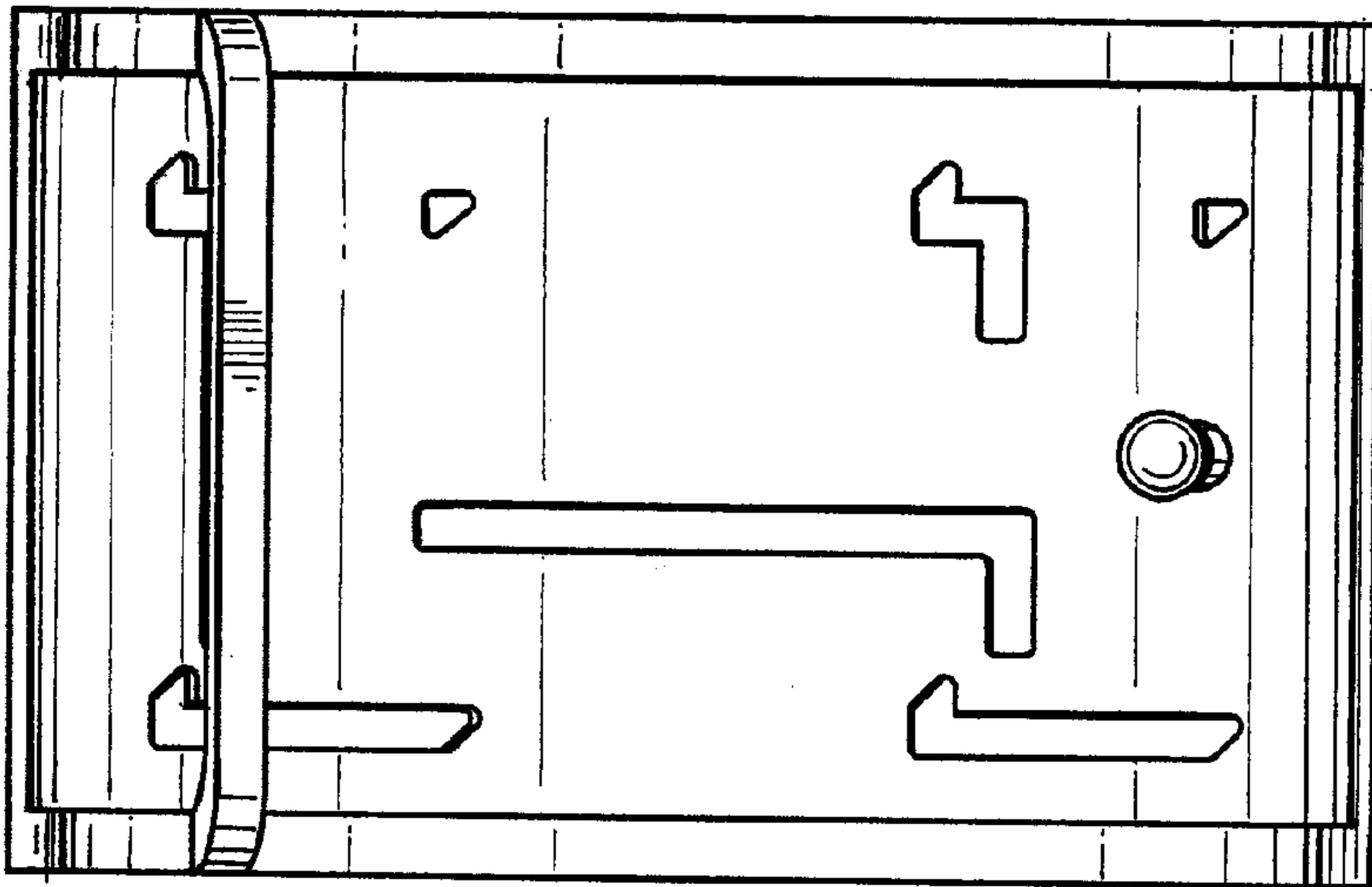


FIGURE 4

FIGURE 3

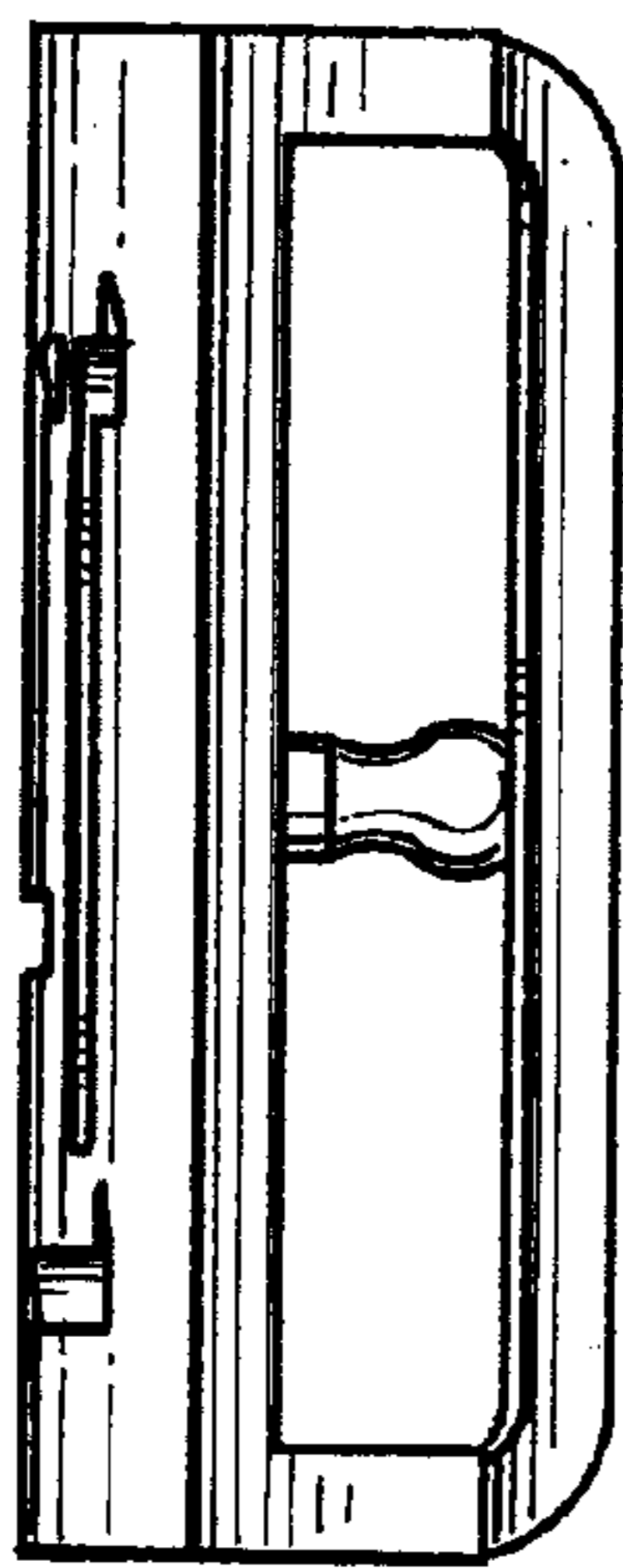


FIGURE 5

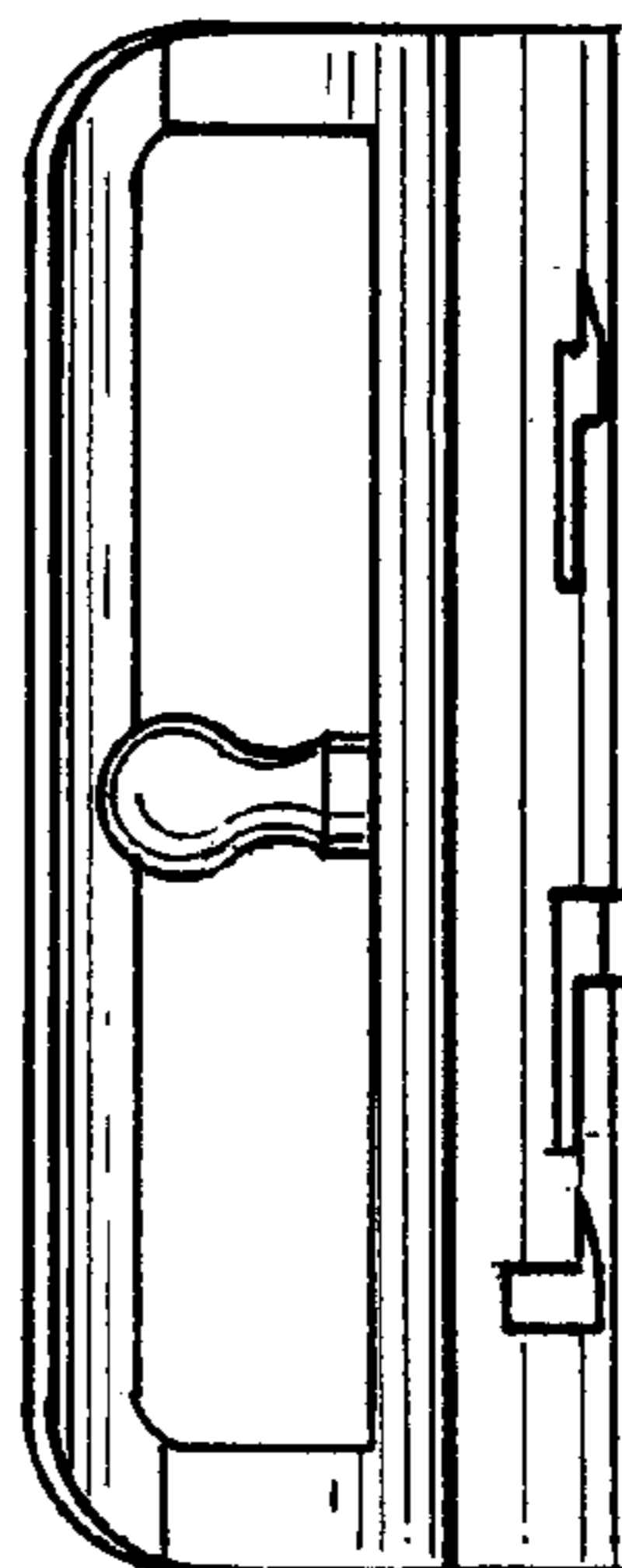


FIGURE 6

