



US00D535914S

(12) **United States Design Patent**
Yang

(10) **Patent No.:** **US D535,914 S**

(45) **Date of Patent:** **** Jan. 30, 2007**

(54) **BUCKLE**

D473,487 S * 4/2003 Kaneko D11/216
D479,486 S * 9/2003 Uehara et al. D11/216

(75) Inventor: **Shih-Sheng Yang**, Taipei Hsien (TW)

* cited by examiner

(73) Assignee: **Universal Trim Supply Co., Ltd.**,
Taipei Hsien (TW)

Primary Examiner—Ralf Seifert

(**) Term: **14 Years**

(74) *Attorney, Agent, or Firm*—Troxell Law Office PLLC

(21) Appl. No.: **29/256,201**

(57) **CLAIM**

(22) Filed: **Mar. 20, 2006**

The ornamental design for a buckle, as shown and described.

(51) **LOC (8) Cl.** **02-07**

DESCRIPTION

(52) **U.S. Cl.** **D11/216**

(58) **Field of Classification Search** D11/200,
D11/201, 208–210, 212–218, 220, 230–234,
D11/336–237, 86–87, 94; 63/15.2, 15; 24/307,
24/625, 616, 200, 196, 637, 171, 169, 112,
24/614, 615

FIG. 1 is a perspective view of a buckle;
FIG. 2 is a front view thereof;
FIG. 3 is a back view thereof;
FIG. 4 is a left side view thereof;
FIG. 5 is a right side view thereof;
FIG. 6 is a top view thereof; and,
FIG. 7 is a bottom view thereof.

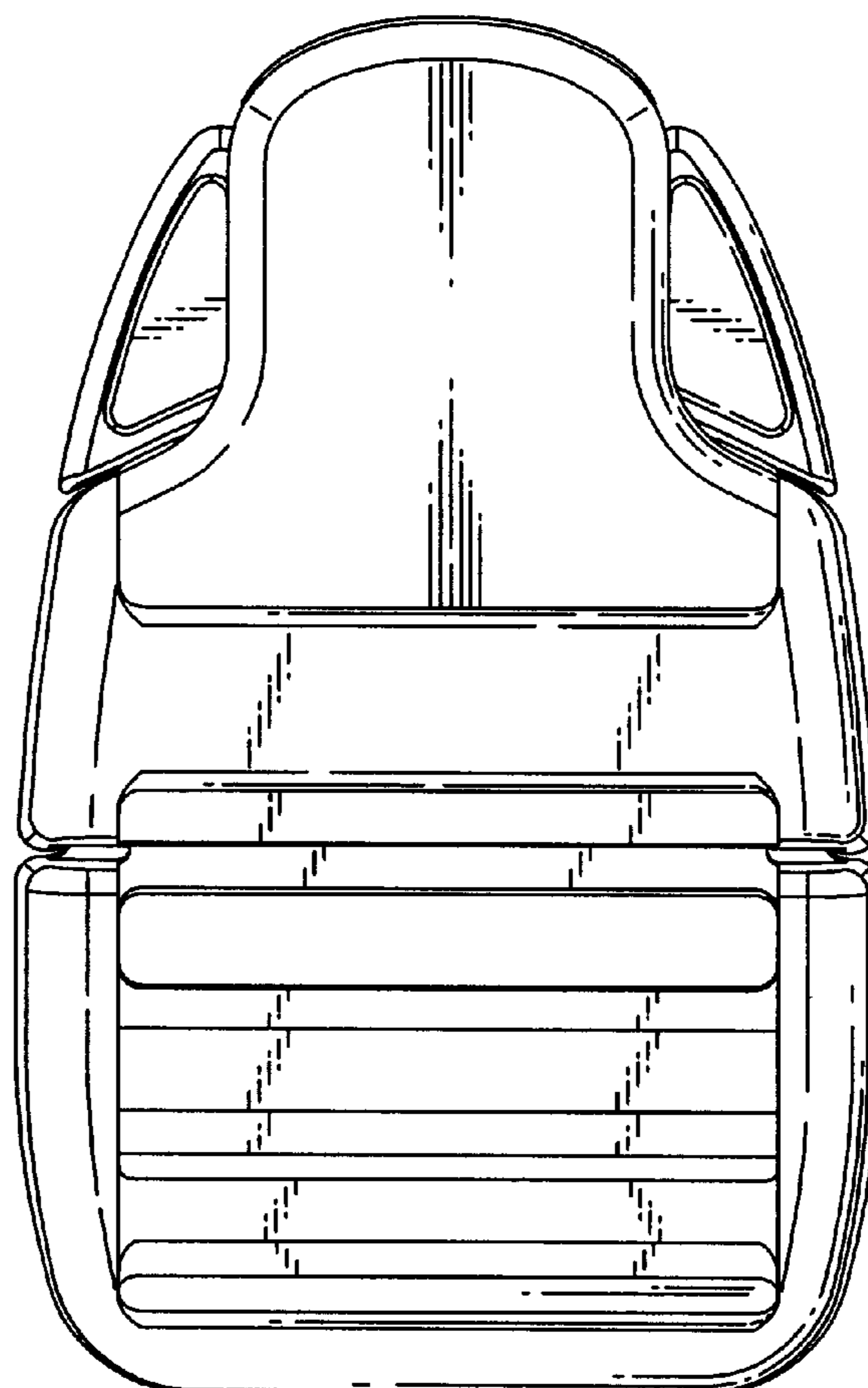
See application file for complete search history.

(56) **References Cited**

U.S. PATENT DOCUMENTS

D447,089 S * 8/2001 Kung D11/216

1 Claim, 5 Drawing Sheets



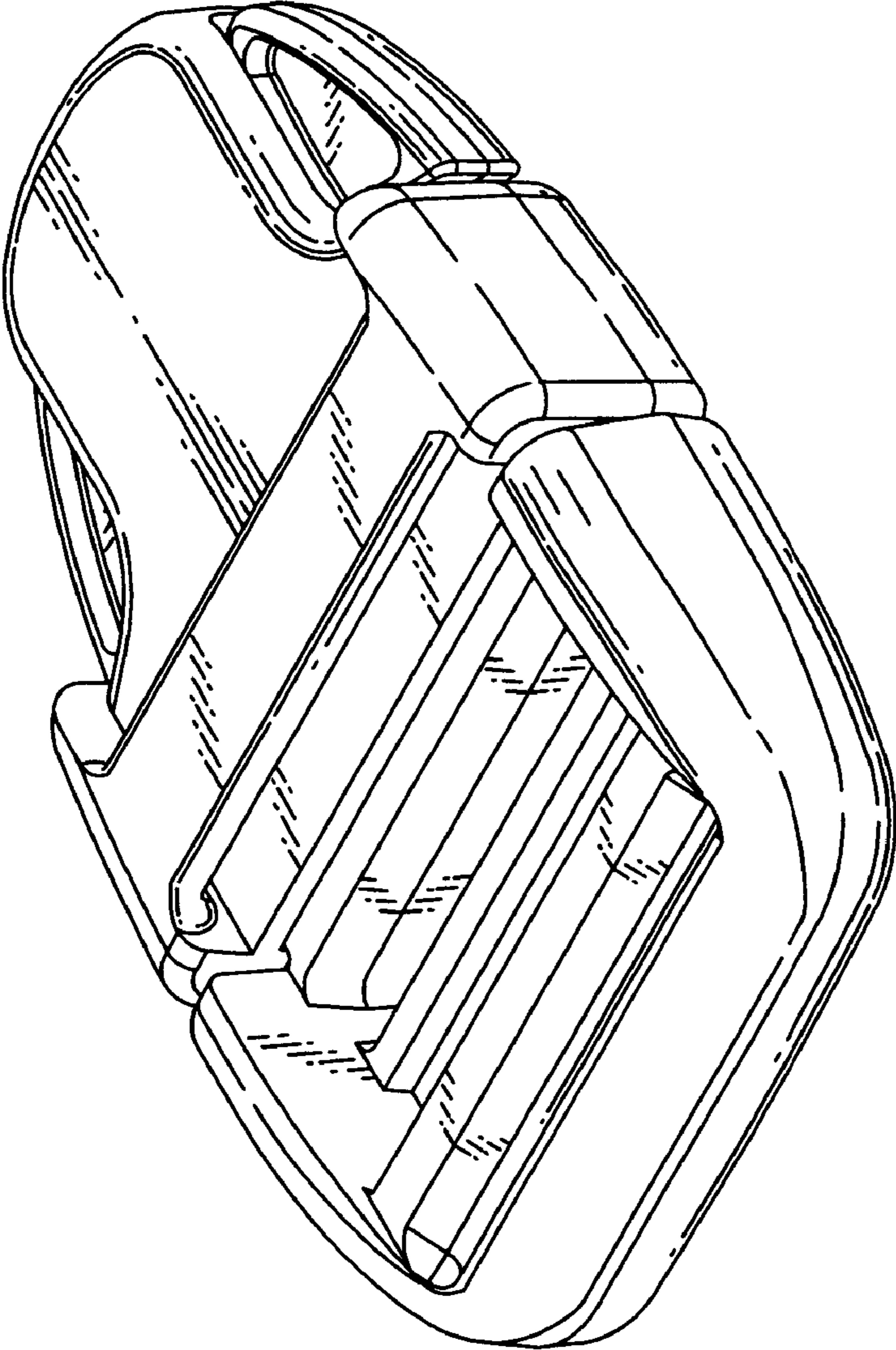


FIG. 1

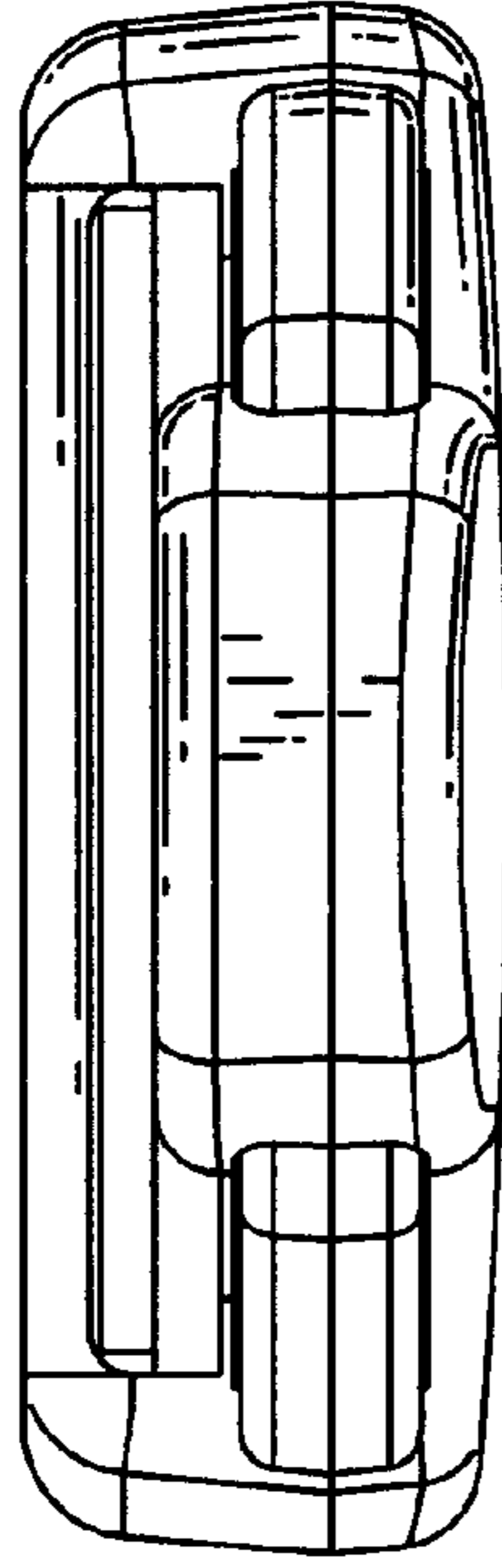


FIG. 3

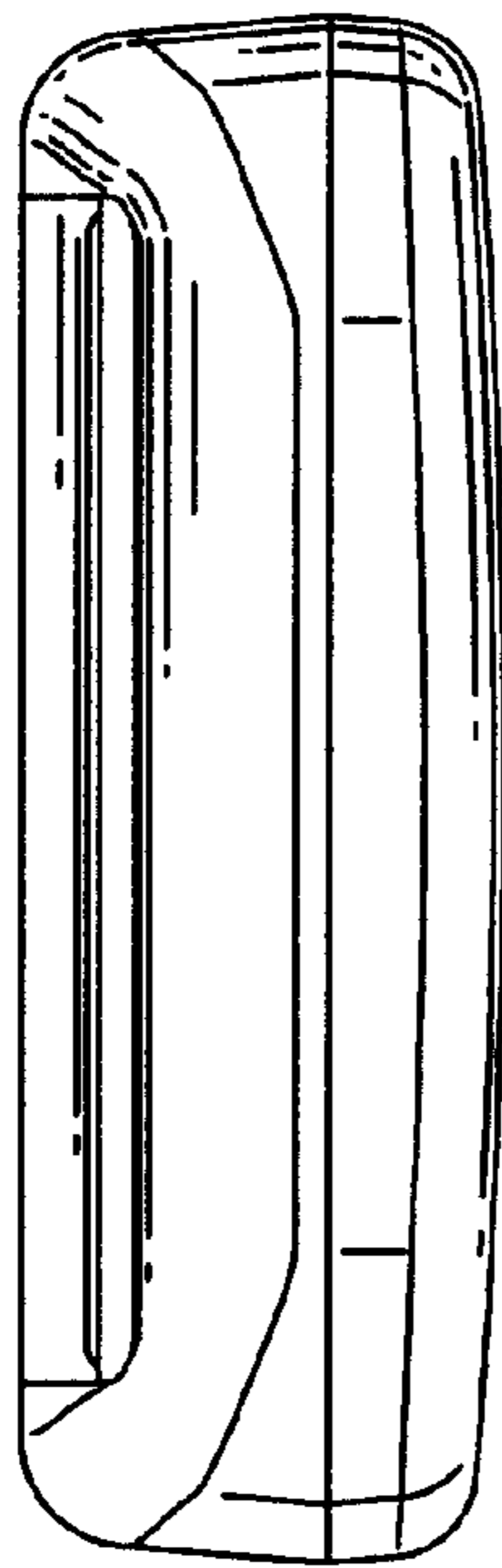


FIG. 2

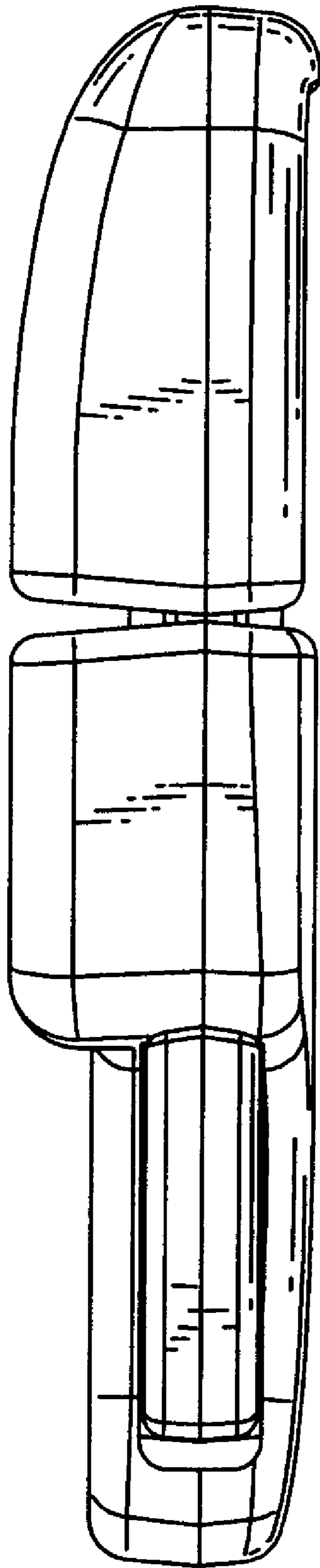


FIG. 4

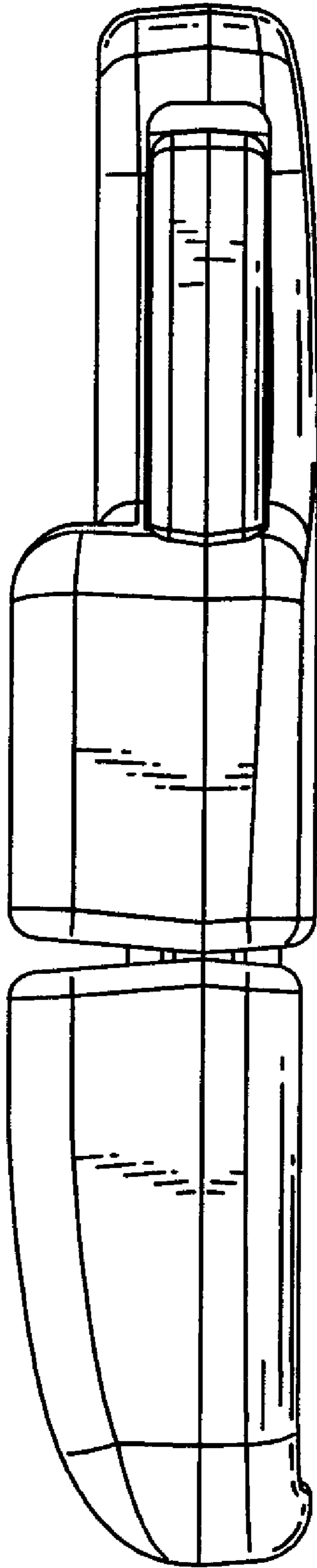


FIG. 5

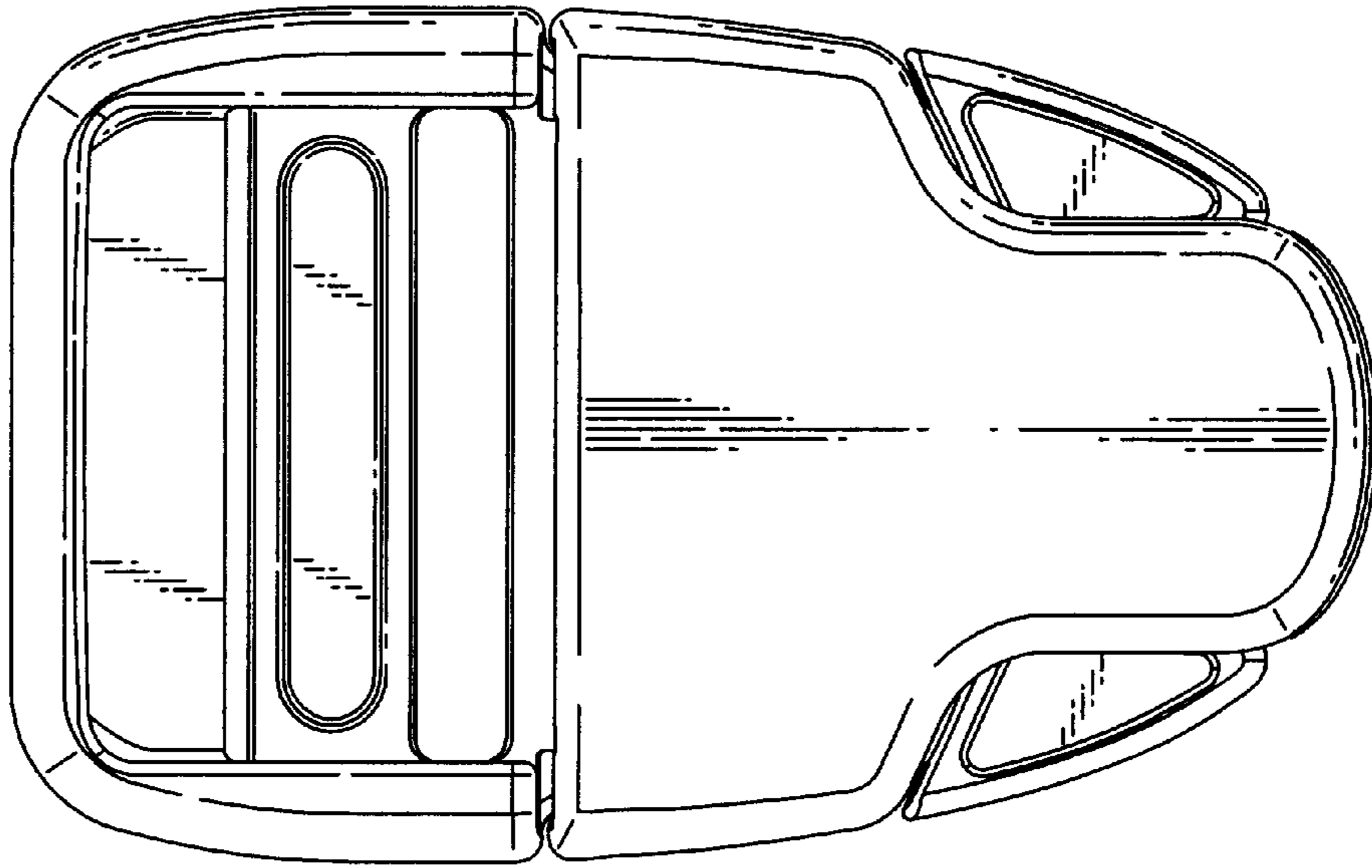


FIG. 6

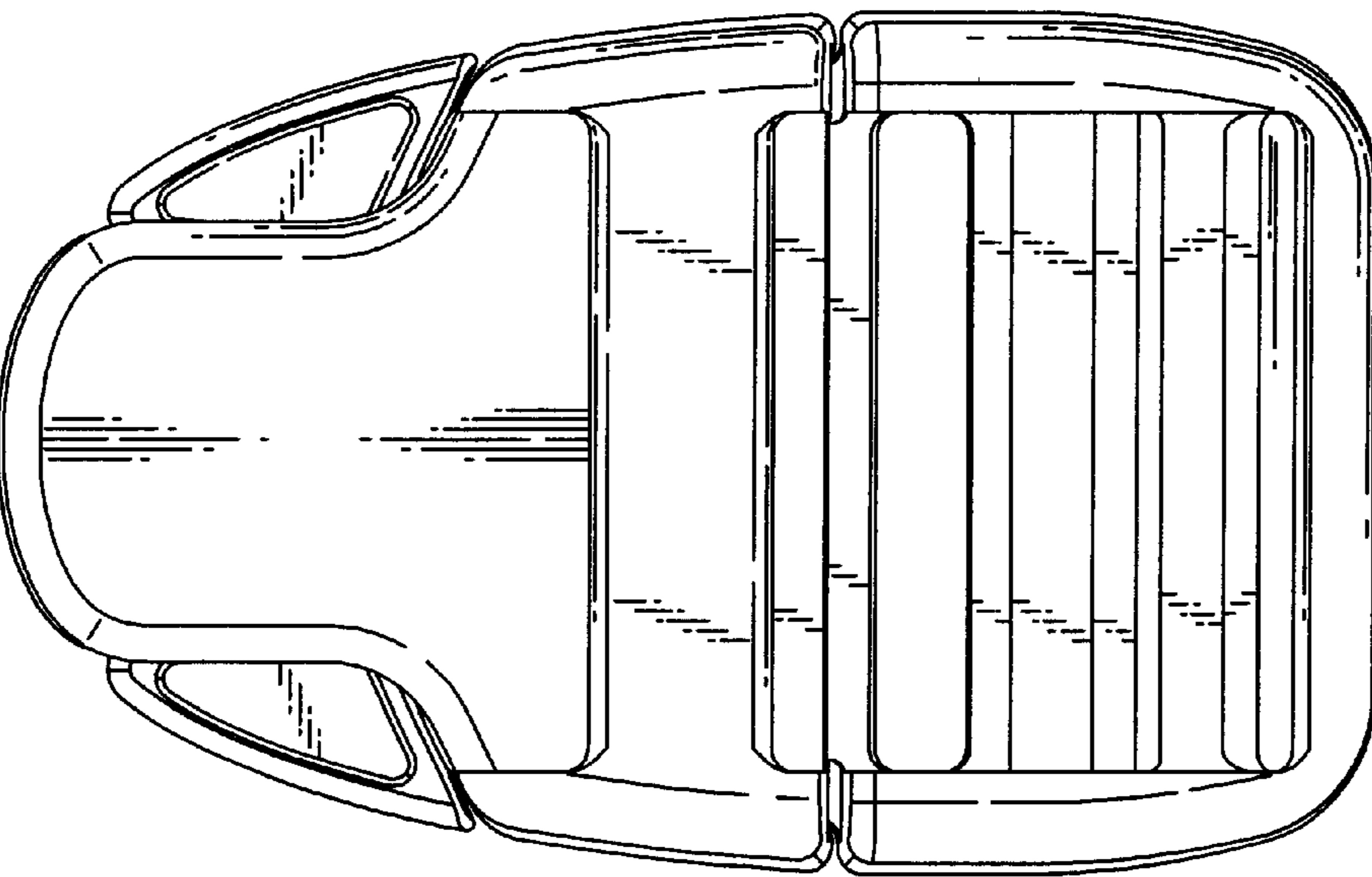


FIG. 7