



US00D535909S

(12) **United States Design Patent**  
**Banman**

(10) **Patent No.:** **US D535,909 S**

(45) **Date of Patent:** **\*\* Jan. 30, 2007**

(54) **MOBILE**

(75) Inventor: **John Banman**, South El Monte, CA (US)

(73) Assignee: **Plastic Dress-Up Company**, South El Monte, CA (US)

(\*\*) Term: **14 Years**

(21) Appl. No.: **29/215,400**

(22) Filed: **Oct. 18, 2004**

(51) **LOC (8) Cl.** ..... **11-02**

(52) **U.S. Cl.** ..... **D11/141**

(58) **Field of Classification Search** ..... D11/117-157;  
D21/467; 428/7-9, 12, 13, 28, 542.2, 542.4,  
428/542.6, 913.3; 446/227, 228, 487-490;  
40/411-413, 421-423, 440, 479, 617  
See application file for complete search history.

(56) **References Cited**

**U.S. PATENT DOCUMENTS**

1,981,696	A	*	11/1934	Harper	.....	59/80
D169,125	S	*	3/1953	Cheresh	.....	D21/467
D189,821	S	*	2/1961	Lyon et al.	.....	D19/61
D210,733	S	*	4/1968	Moranduzzo	.....	D26/94
D213,212	S	*	1/1969	Maxwell	.....	D11/141
4,131,079	A	*	12/1978	Rousseau, Jr. et al.	....	116/22 A
4,686,878	A	*	8/1987	Hebert	.....	84/404
4,858,425	A	*	8/1989	Cheredaryk et al.	.....	59/80
5,939,995	A	*	8/1999	Phillips	.....	340/815.4
6,591,529	B1	*	7/2003	Lane	.....	40/617
6,878,422	B1	*	4/2005	Spaar	.....	428/9

\* cited by examiner

*Primary Examiner*—Catherine Tuttle

(74) *Attorney, Agent, or Firm*—James E. Brunton, Esq.

(57) **CLAIM**

The ornamental design for a “mobile,” as shown and described.

**DESCRIPTION**

FIG. 1 is a front view of a mobile showing my new design; FIG. 1A is a greatly enlarged view of the portion of FIG. 1 that appears above the upper most match line;

FIG. 1B is a greatly enlarged view of the portion of FIG. 1 that appears between the upper most and central match lines; FIG. 1C is a greatly enlarged view of the portion of FIG. 1 that appears between the central and lower most match lines; FIG. 1D is a greatly enlarged view of the portion of FIG. 1 that appears below the lower most match line;

FIG. 2A is a view taken along lines 2A—2A of FIG. 1;

FIG. 2B is a view taken along lines 2B—2B of FIG. 1;

FIG. 2C is a view taken along lines 2C—2C of FIG. 1;

FIG. 2D is a view taken along lines 2D—2D of FIG. 1;

FIG. 3 is a view along lines 3—3 of FIG. 1;

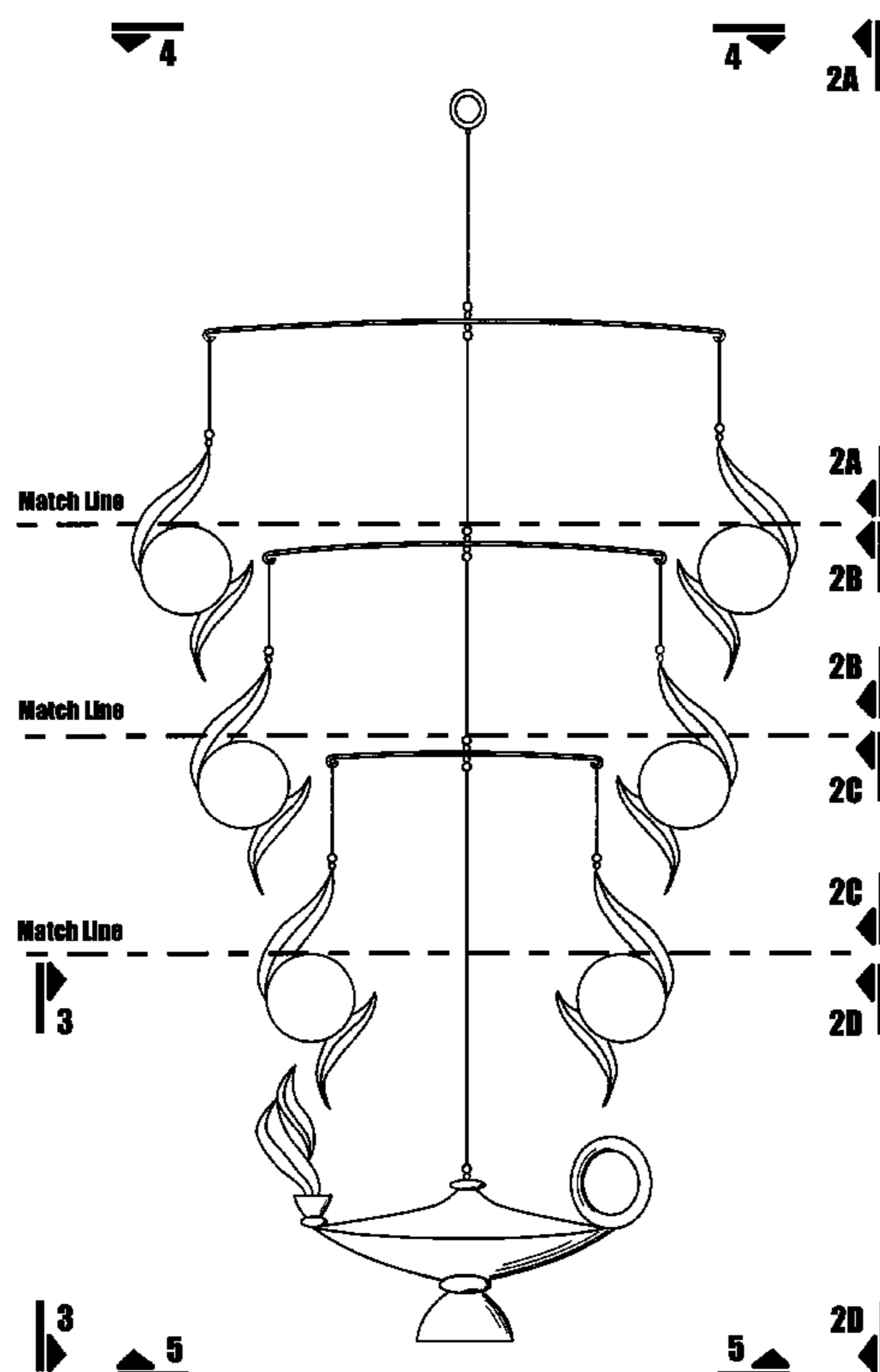
FIG. 4 is a top view thereof; and,

FIG. 5 is a bottom view thereof.

The claim to the unshaded portions of the mobile is limited to the shapes as shown in profile and does not extend to the unshaded areas within the profiles.

The broken lines in FIGS. 1, 1A and 2A are provided to show a portion of the mobile that forms no part of the claimed design.

**1 Claim, 6 Drawing Sheets**



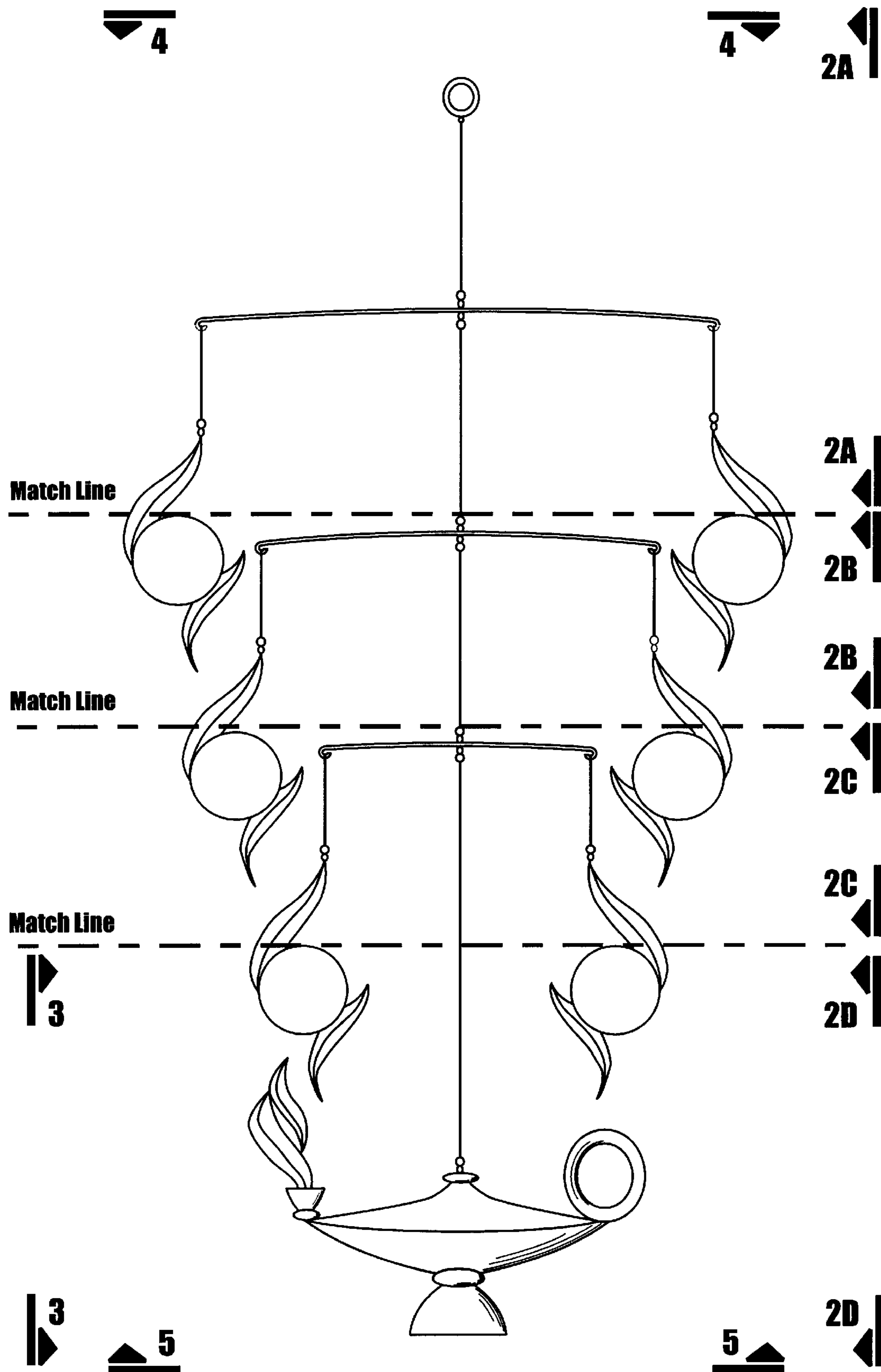


Fig. 1

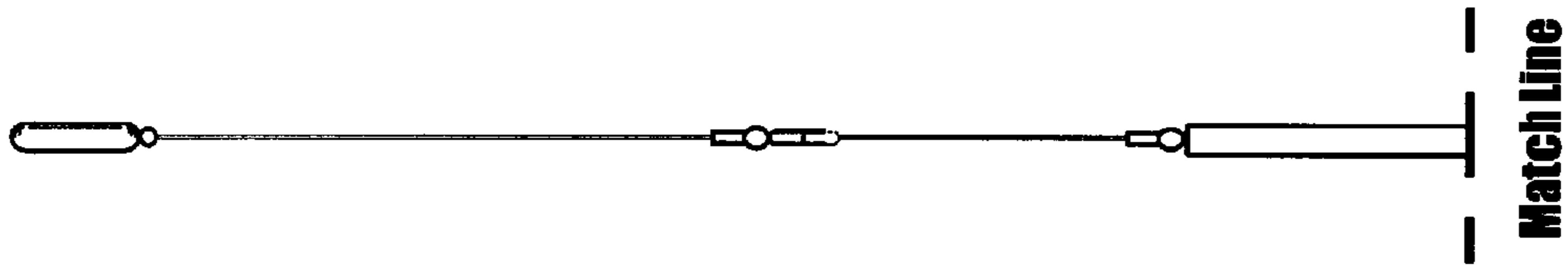


Fig. 2A

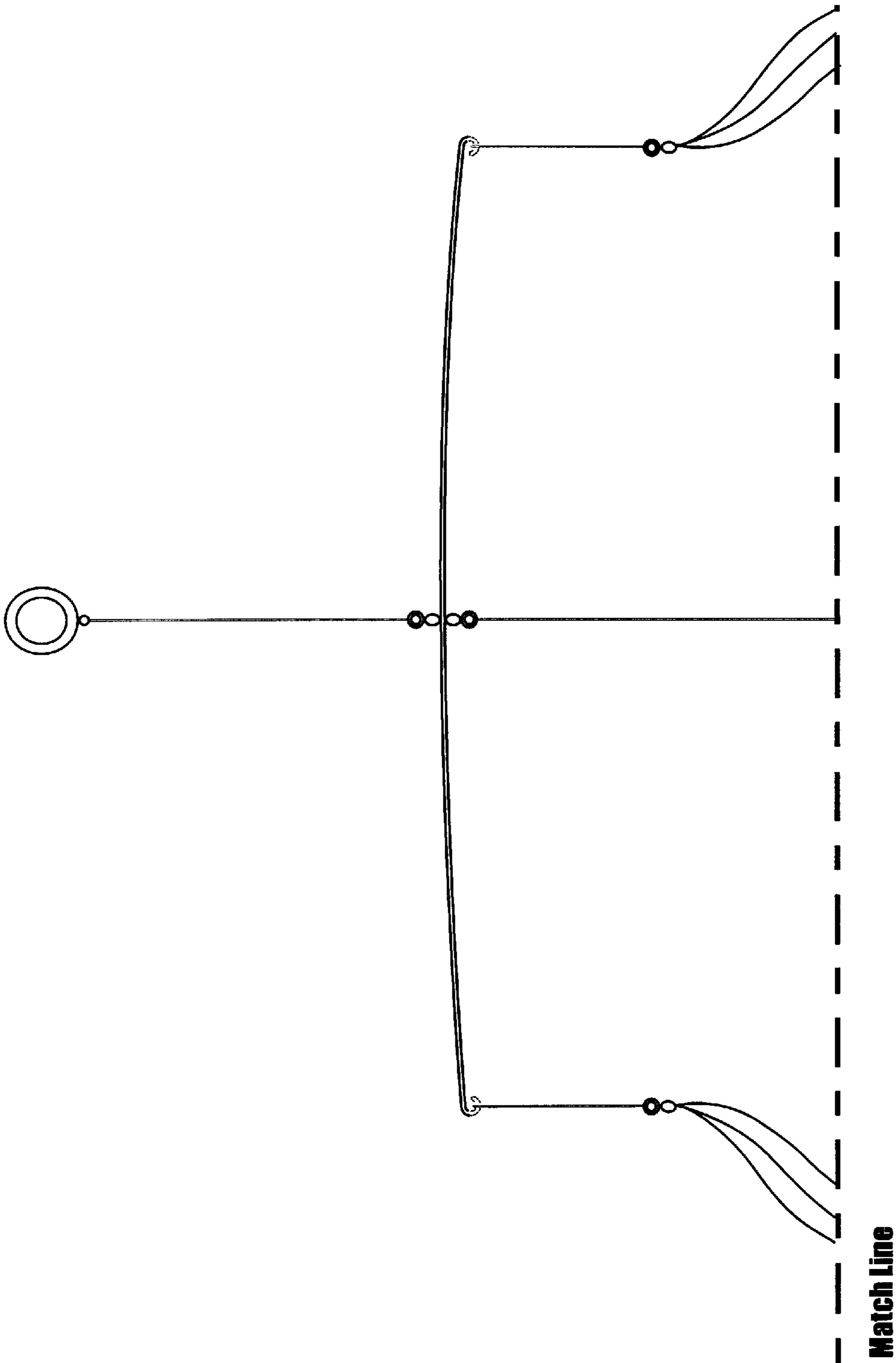


Fig. 1A

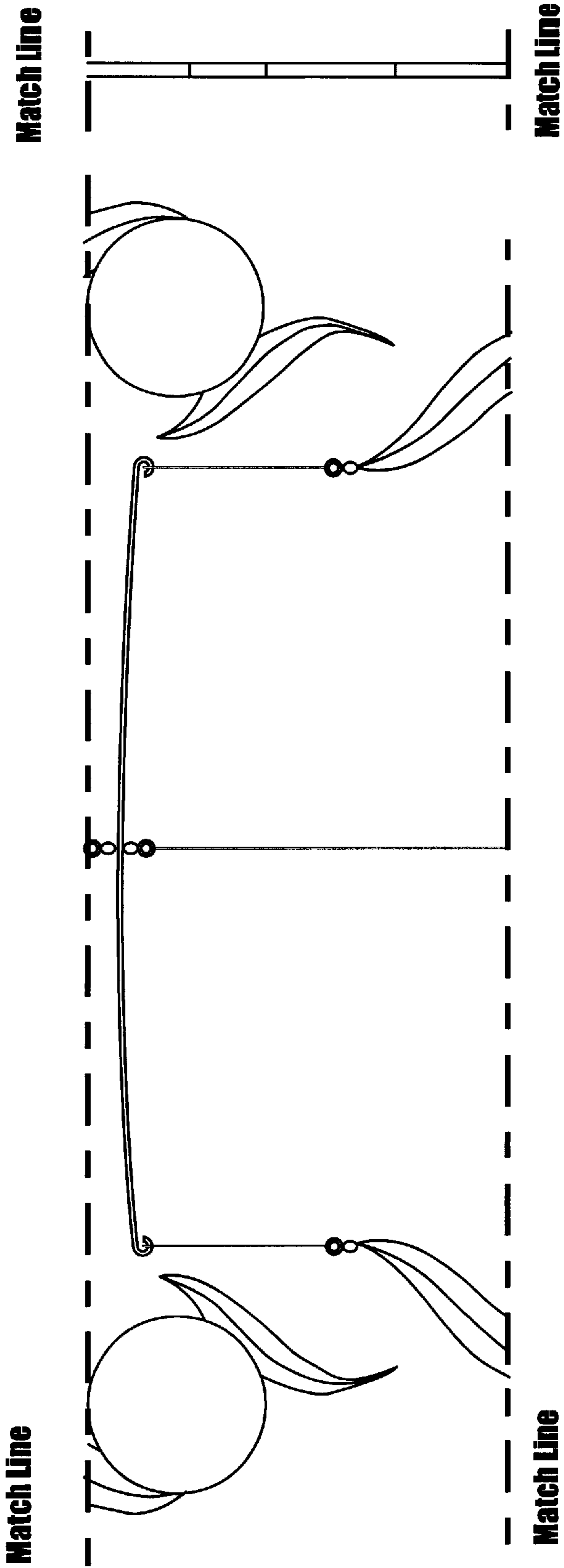


Fig. 2B

Fig. 1B

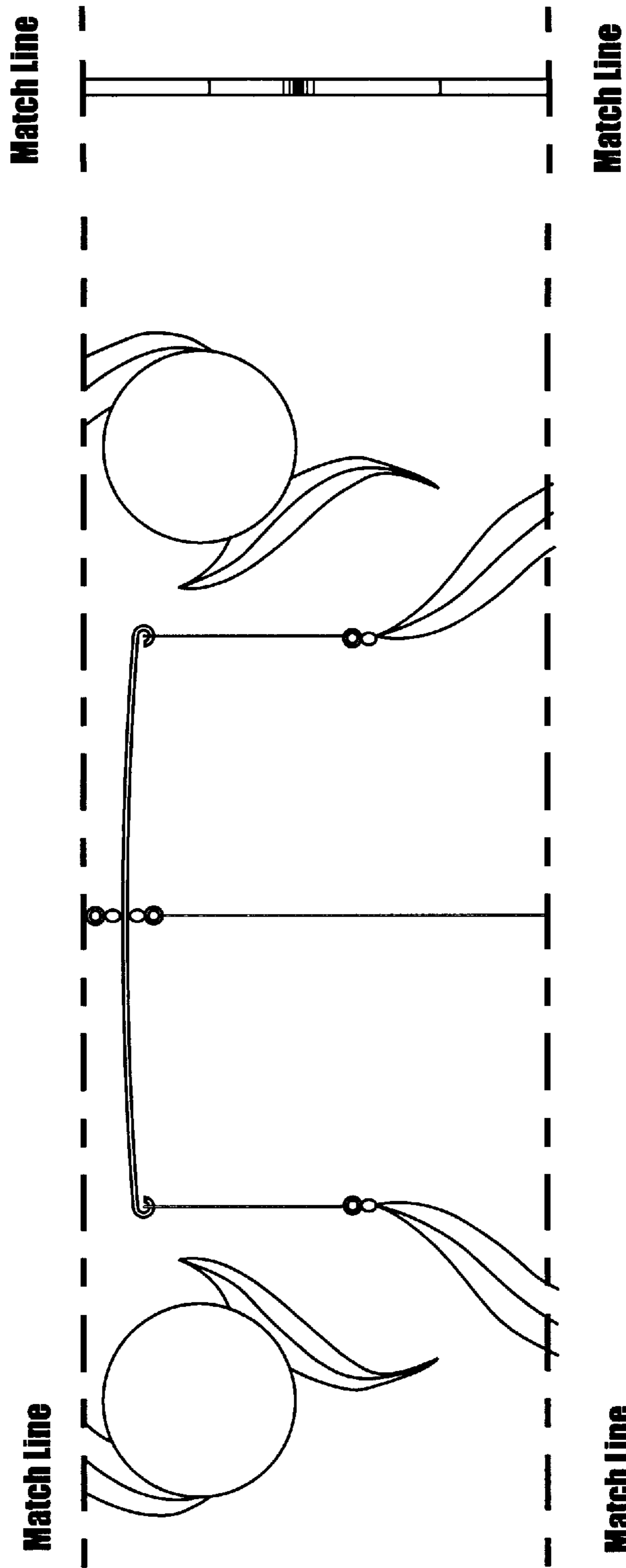


Fig. 2C

Fig. 1C

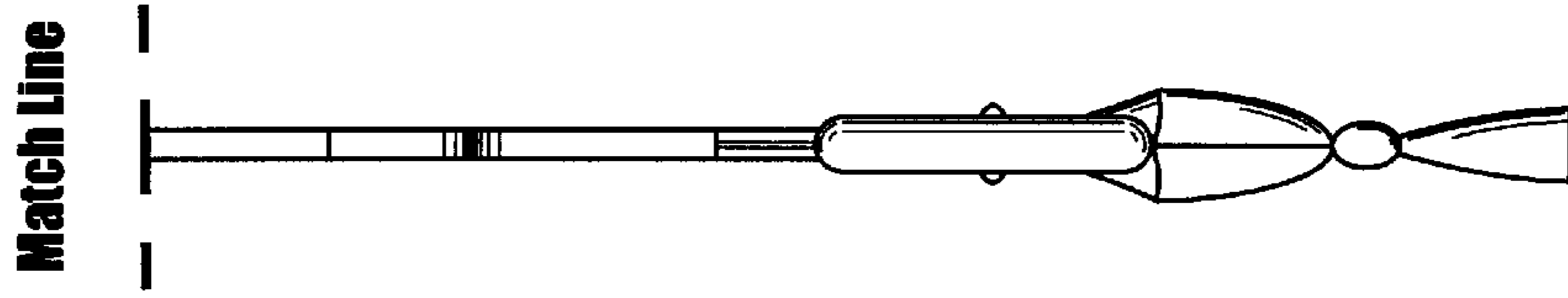


Fig. 2D

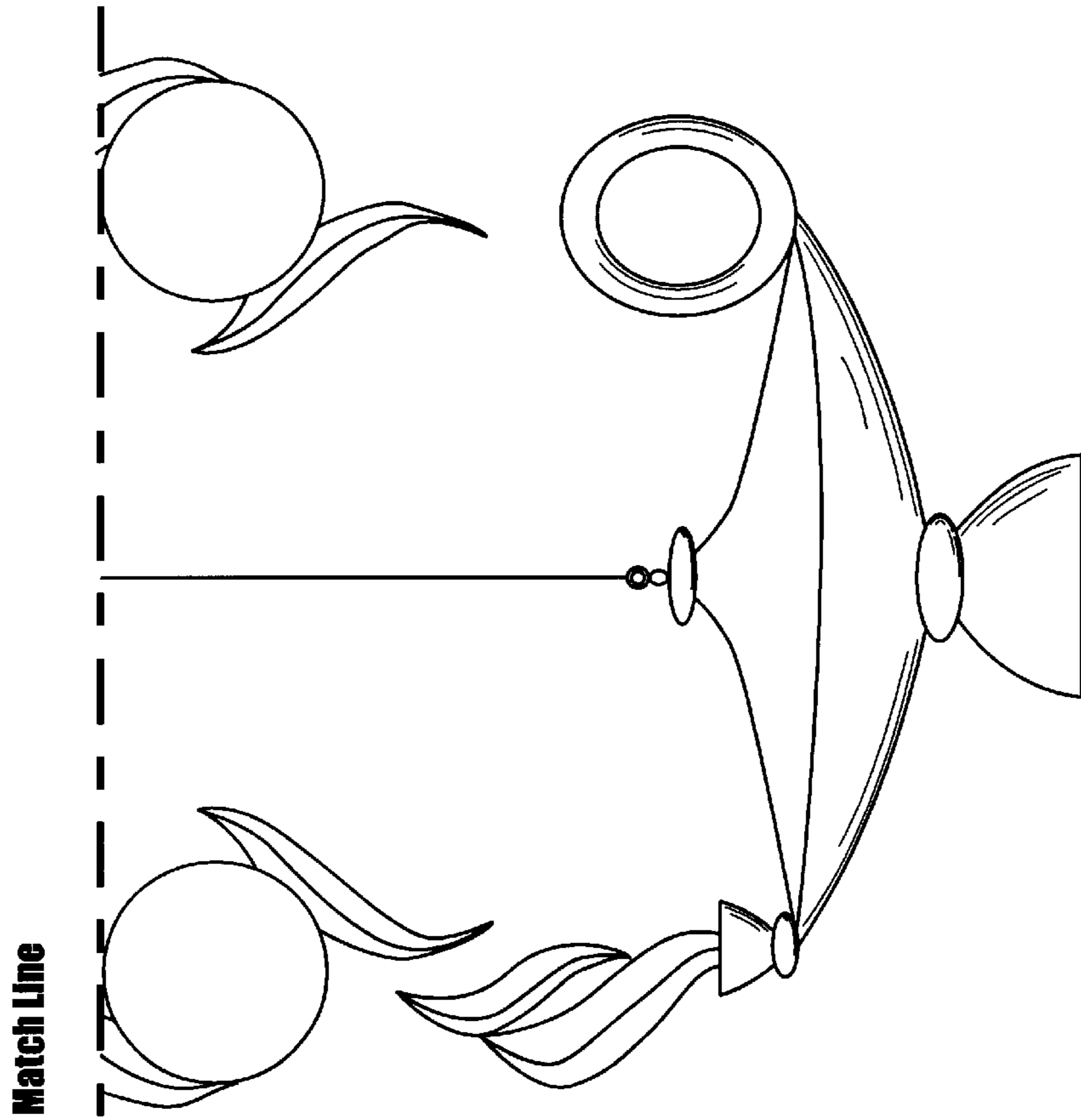


Fig. 1D

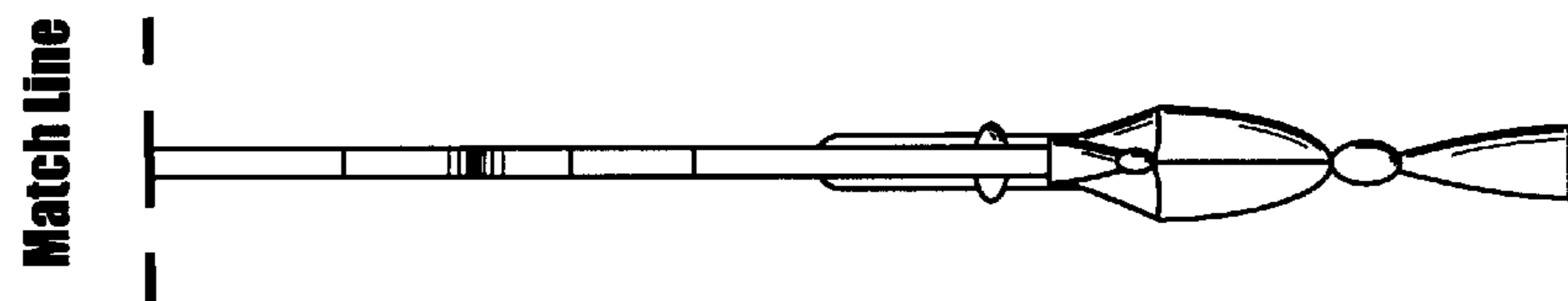
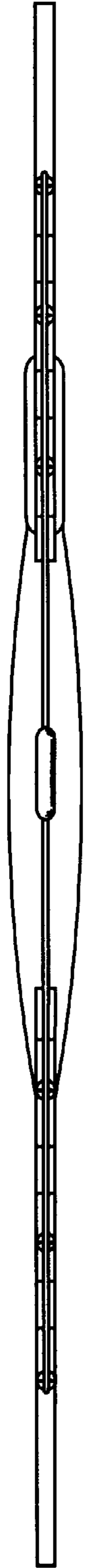
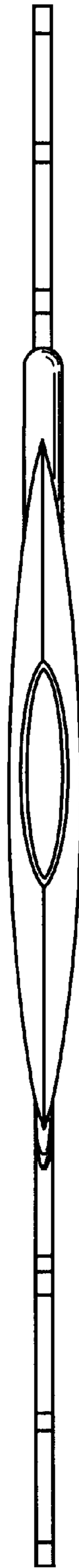


Fig. 3



**Fig. 4**



**Fig. 5**