



US00D535900S

(12) **United States Design Patent**
McKinney

(10) **Patent No.:** **US D535,900 S**

(45) **Date of Patent:** **** Jan. 30, 2007**

(54) **PORTION OF A TAPE MEASURE WITH A CLAW HOOK TIP**

6,622,396 B2 * 9/2003 Salazar 33/758

* cited by examiner

(76) Inventor: **Kenyon K. McKinney**, 1214 W. Harris,
Pasadena, TX (US) 77503

Primary Examiner—Lucy Lieberman

(74) *Attorney, Agent, or Firm*—David W. Carstens;
Carstens & Cahoon, LLP

(**) Term: **14 Years**

(57) **CLAIM**

(21) Appl. No.: **29/206,097**

The ornamental design for a portion of a tape measure with a claw hook tip, as shown and described.

(22) Filed: **May 26, 2004**

DESCRIPTION

(51) **LOC (8) Cl.** **10-04**

(52) **U.S. Cl.** **D10/74; D10/72**

(58) **Field of Classification Search** D10/62,
D10/71, 72, 74; 33/758, 760, 761, 768, 770
See application file for complete search history.

FIG. 1 is a perspective view of the portion of a tape measure with a claw hook tip of the present invention showing the design in a first, extended position. The dashed lines are shown for environmental purposes only and form no part of the claimed design.

(56) **References Cited**

U.S. PATENT DOCUMENTS

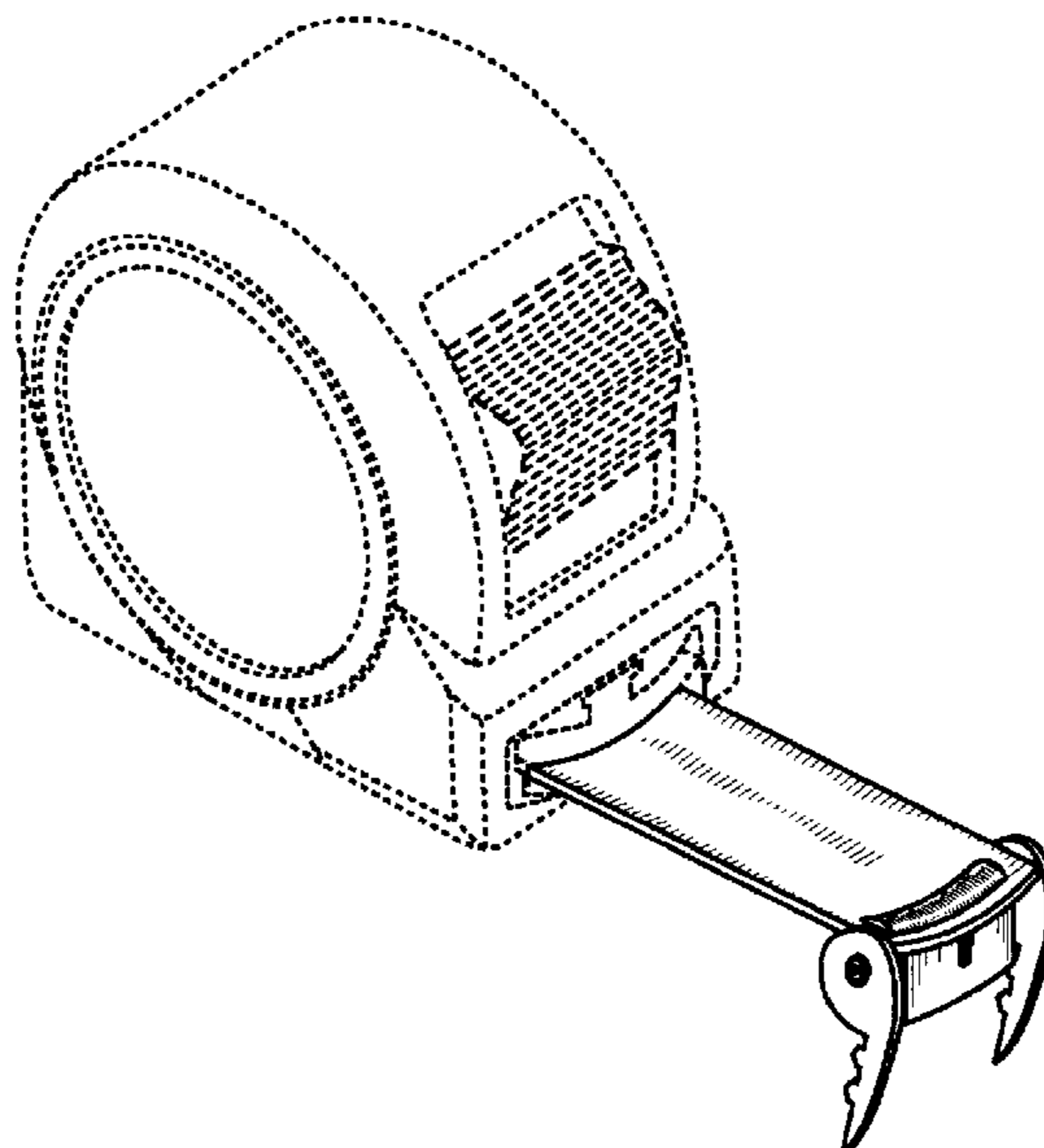
55,113	A	5/1866	Kelsey	
558,113	A	4/1896	Rodick	33/758
841,272	A	* 1/1907	Read	33/758
882,022	A	3/1908	Schmidt	33/770
992,170	A	* 5/1911	Crane	33/758
1,006,056	A	* 10/1911	Bowers	33/770
1,172,463	A	* 2/1916	Johnson	33/770
1,303,756	A	* 5/1919	Ballou	33/758
1,542,990	A	* 6/1925	Di Tomasso	33/758
1,646,826	A	10/1927	Langsner	
1,723,739	A	* 8/1929	Langsner	33/758
1,726,960	A	* 9/1929	Langsner	33/758
1,798,476	A	3/1931	Langsner	
1,860,635	A	5/1932	Thompson	
4,305,206	A	* 12/1981	Roe	33/770
4,353,167	A	10/1982	Martin	
4,466,194	A	8/1984	Rutty	
4,527,334	A	* 7/1985	Jones et al.	33/761
4,972,600	A	* 11/1990	Nosek	33/761
5,010,657	A	* 4/1991	Knapp	33/770
5,600,894	A	2/1997	Blackman et al.	
6,101,734	A	8/2000	Ten Caat et al.	

FIG. 2 is a perspective view of the portion of a tape measure with a claw hook tip of the present invention shown in FIG. 1 showing the design in a second, tucked position. The dashed lines are shown for environmental purposes only and form no part of the claimed design.

FIG. 3 is a front view of the portion of a tape measure with a claw hook tip of the present invention shown in FIG. 1. FIG. 4 is a back view of the portion of a tape measure with a claw hook tip of the present invention shown in FIG. 1. FIG. 5 is a top view of the portion of a tape measure with a claw hook tip of the present invention shown in FIG. 1. FIG. 6 is a bottom view of the portion of a tape measure with a claw hook tip of the present invention shown in FIG. 1. FIG. 7 is a side view of the portion of a tape measure with a claw hook tip of the present invention shown in FIG. 1; and,

FIG. 8 is a side view of the portion of a tape measure with a claw hook tip of the present invention shown in FIG. 2. The views in the drawings are shown on different scales. FIGS. 5 through 8 are shown as fragmentary views for ease of illustration.

1 Claim, 1 Drawing Sheet



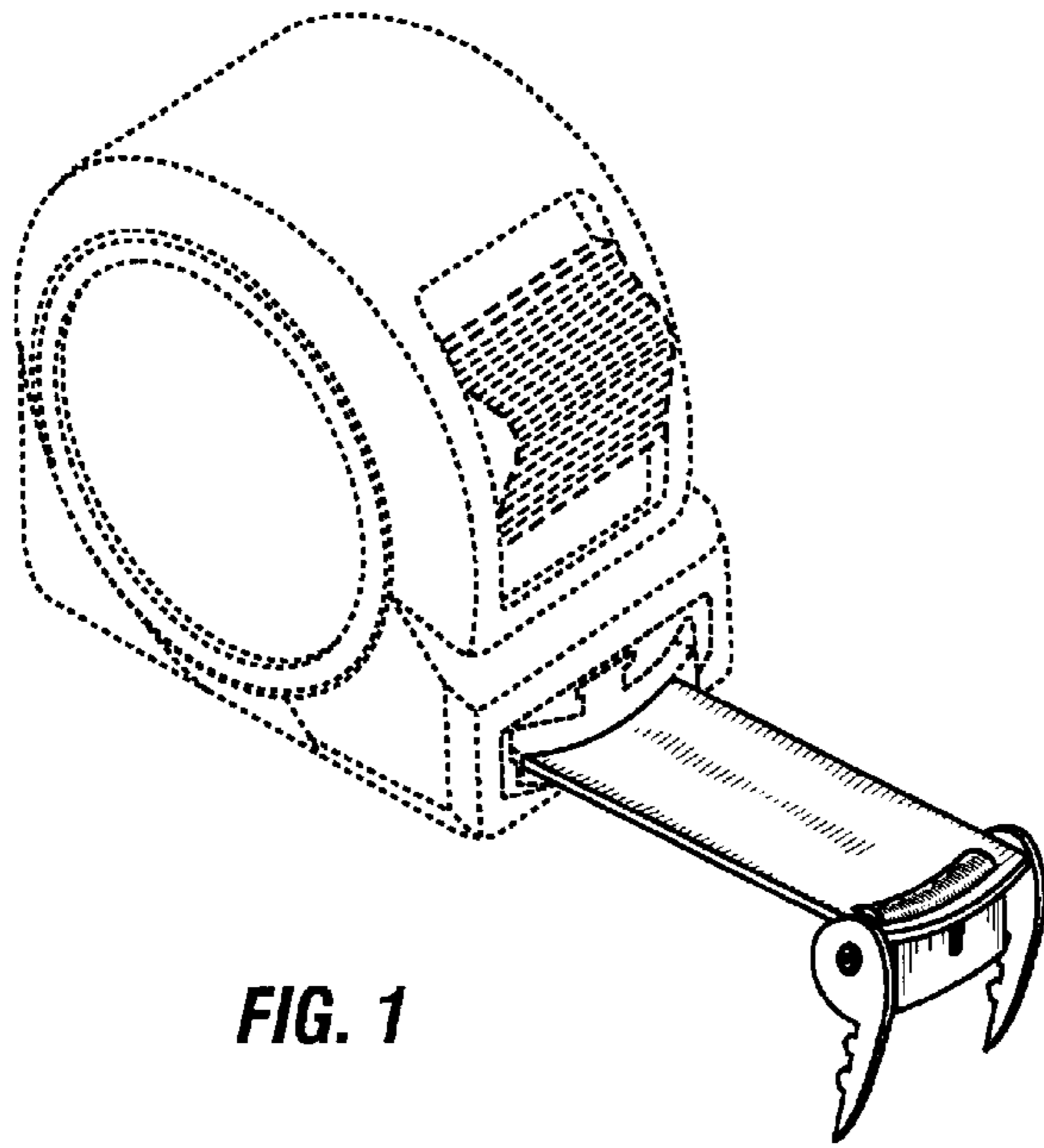


FIG. 1

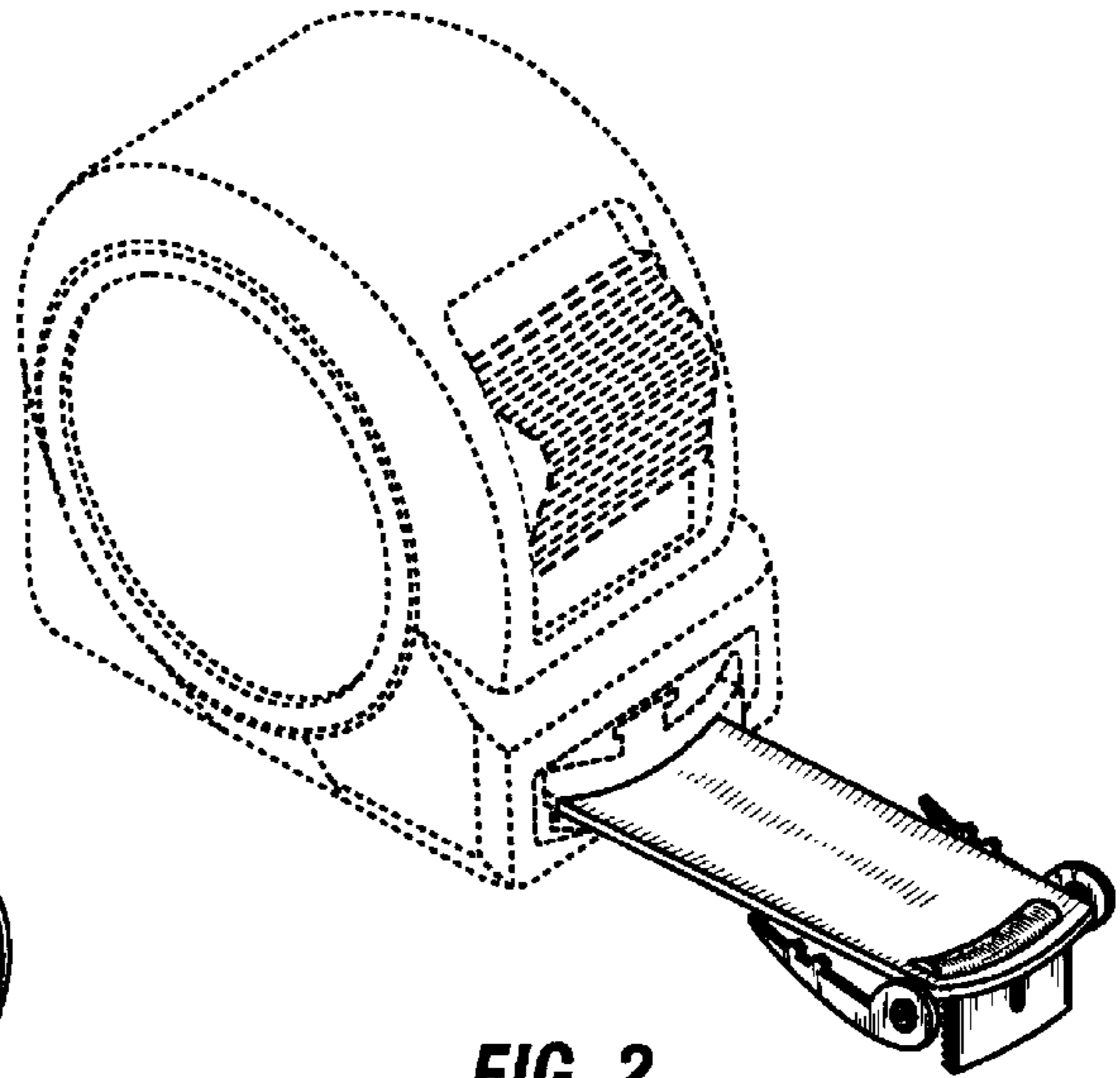


FIG. 2

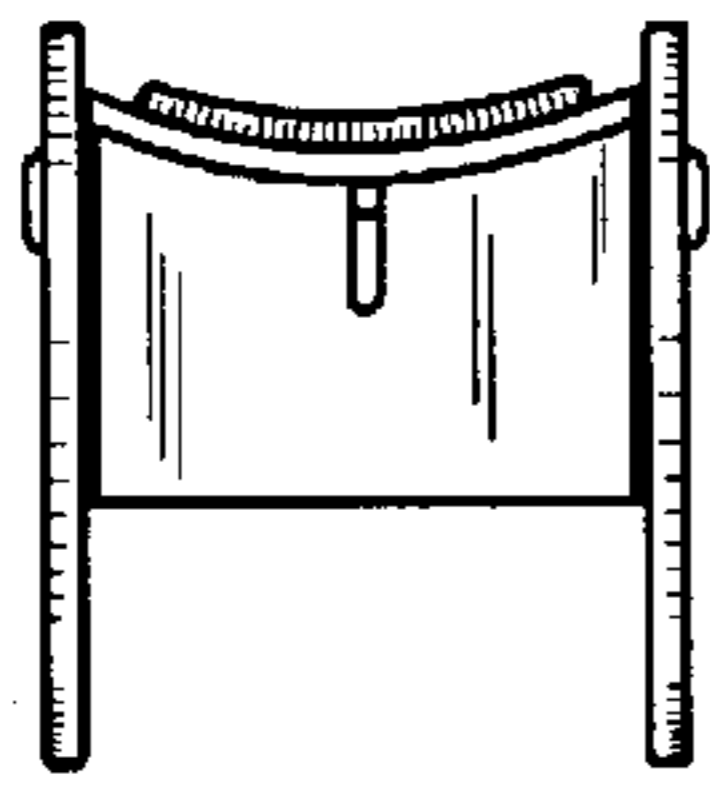


FIG. 3

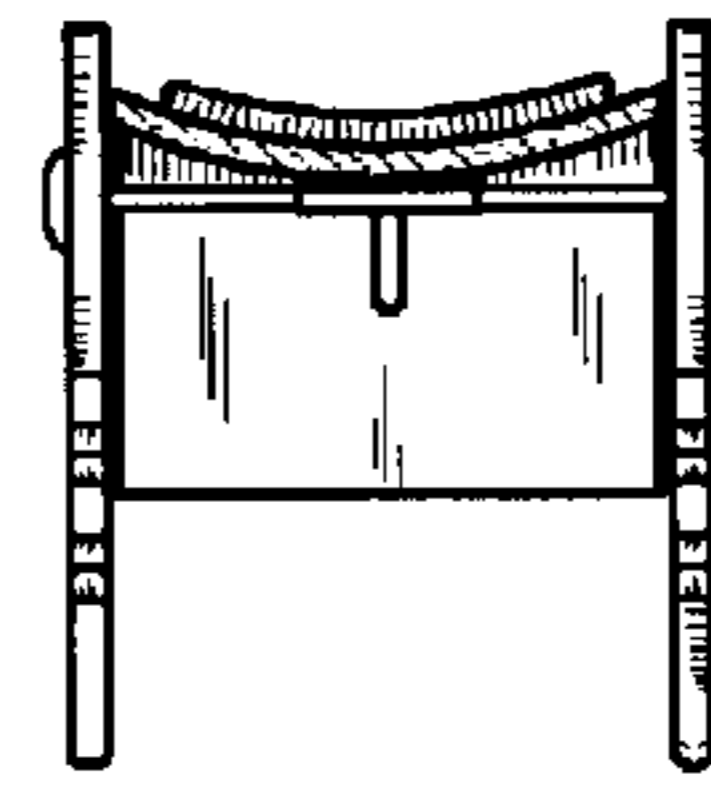


FIG. 4

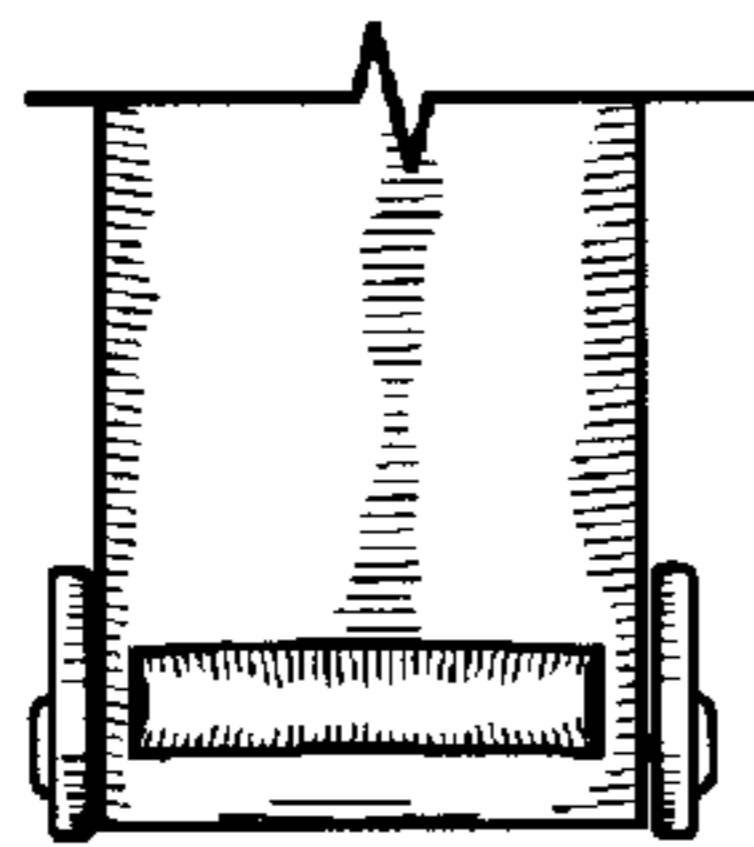


FIG. 5

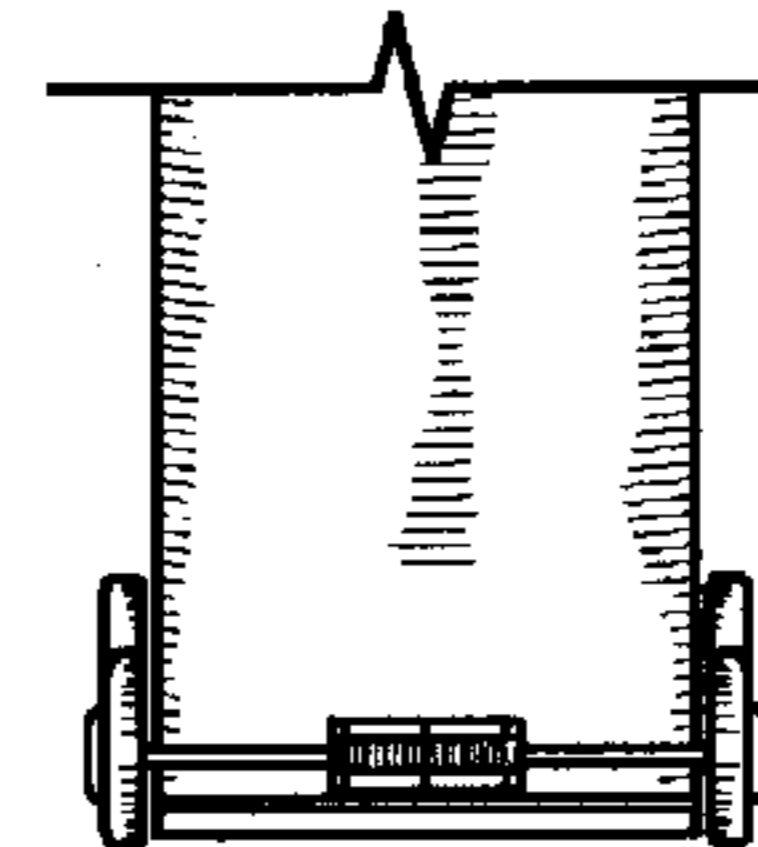


FIG. 6

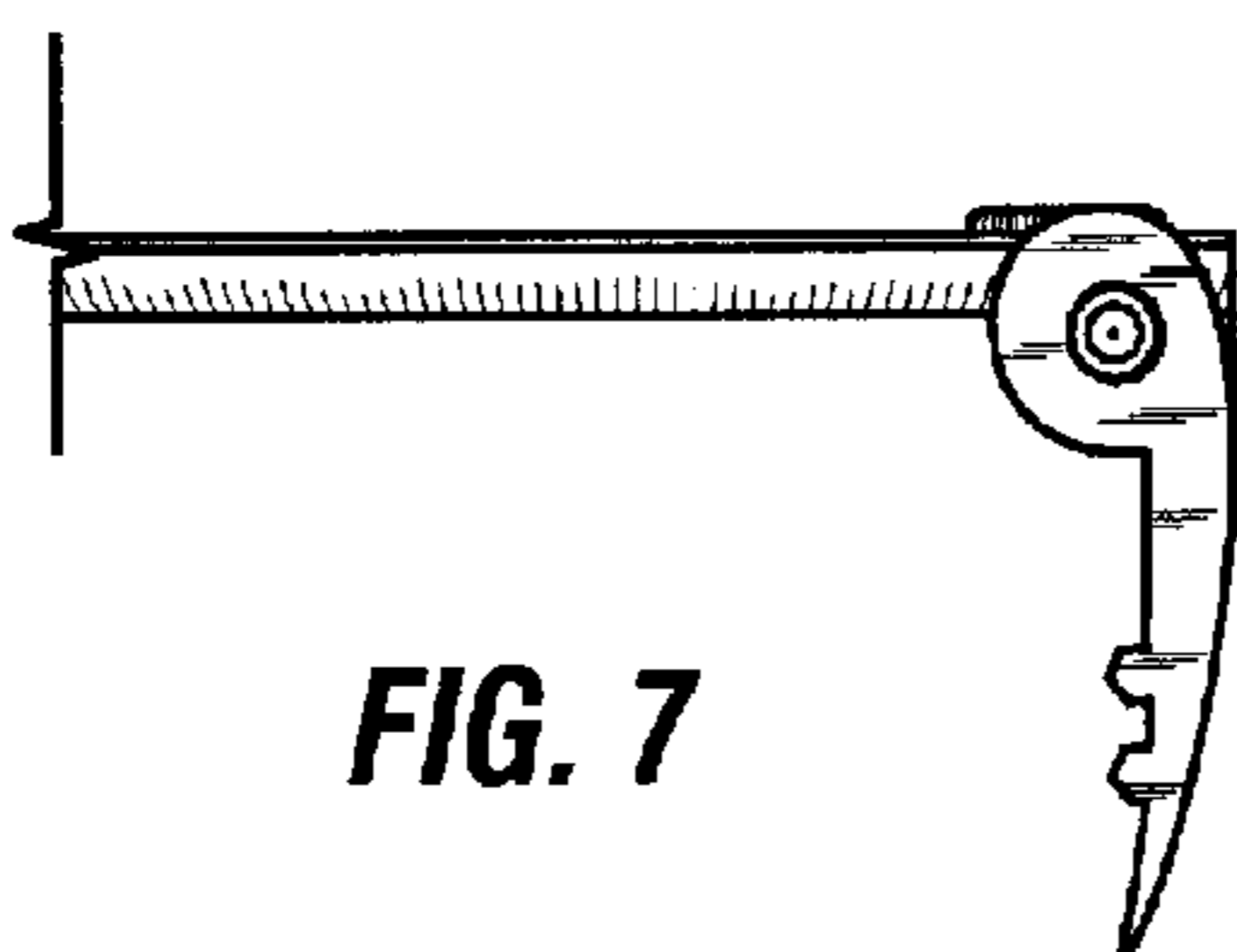


FIG. 7

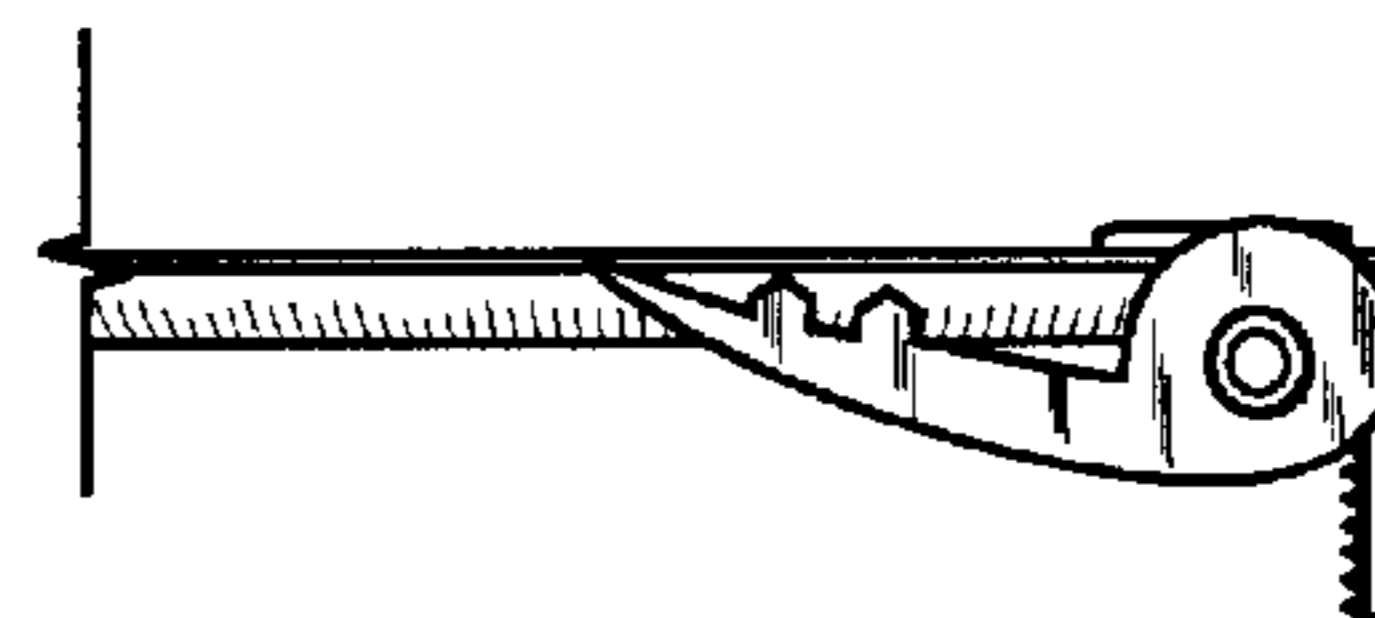


FIG. 8