



US00D535897S

(12) **United States Design Patent**
Leung

(10) **Patent No.:** **US D535,897 S**

(45) **Date of Patent:** **** Jan. 30, 2007**

(54) **MULTI-PURPOSE TIMER**

(75) Inventor: **Chun Fai Leung**, Hong Kong (HK)

(73) Assignee: **Sweda Limited**, Hong Kong (HK)

(**) Term: **14 Years**

(21) Appl. No.: **29/257,755**

(22) Filed: **Apr. 11, 2006**

(30) **Foreign Application Priority Data**

Oct. 21, 2005 (HK) 0502566.7M002

(51) **LOC (8) Cl.** **10-03**

(52) **U.S. Cl.** **D10/40; D10/68; D10/2**

(58) **Field of Classification Search** D10/40,
D10/68, 2, 31; 368/14, 97-123, 82-84, 187,
368/276-278, 285, 10

See application file for complete search history.

(56) **References Cited**

U.S. PATENT DOCUMENTS

| | | | | |
|-------------------|---------|------------|-------|---------|
| D334,890 S * | 4/1993 | Meyer | | D10/30 |
| D432,027 S * | 10/2000 | Fox et al. | | D10/31 |
| D467,819 S * | 12/2002 | Tang | | D10/30 |
| 6,527,434 B1 * | 3/2003 | Fox et al. | | 368/276 |
| D474,980 S * | 5/2003 | Finkay | | D10/31 |
| D478,011 S * | 8/2003 | Cooper | | D10/31 |
| D478,823 S * | 8/2003 | Kelleghan | | D10/68 |
| D503,628 S * | 4/2005 | Chen | | D10/15 |
| D505,337 S * | 5/2005 | Cooper | | D10/2 |
| D505,867 S * | 6/2005 | Cooper | | D10/2 |
| D515,948 S * | 2/2006 | Hsu | | D10/40 |
| D521,587 S * | 5/2006 | Smith | | D21/789 |
| 2005/0111308 A1 * | 5/2005 | Hosey | | 368/317 |

OTHER PUBLICATIONS

Bass Pro Shops: Camping, 2003, p. 60, items E, F, G and H, [retrieved Aug. 15, 2006]. Retrieved from internet using Google Advanced Catalog search, <URL:www.basspro.com>.*

Everything Nautical, Fall 2003, p. 35, item 18107, compass watch, [retrieved Aug. 15, 2006]. Retrieved from internet using Google Advanced Catalog Search, <URL:www.everythingnautical.com>.*

Bass Pro Shops: Gifts and More, 2005, p. 146, items E, F and G, [retrieved Aug. 15, 2006], Retrieved from internet using Google Advanced Catalog search, <URL:www.basspro.com>.*

* cited by examiner

Primary Examiner—Lucy Lieberman

(57) **CLAIM**

The ornamental design for a multi-purpose timer, as shown and described.

DESCRIPTION

FIG. 1 is a front elevational view of a multi-purpose timer showing my new design;

FIG. 2 is a rear elevational view thereof;

FIG. 3 is a left side view thereof;

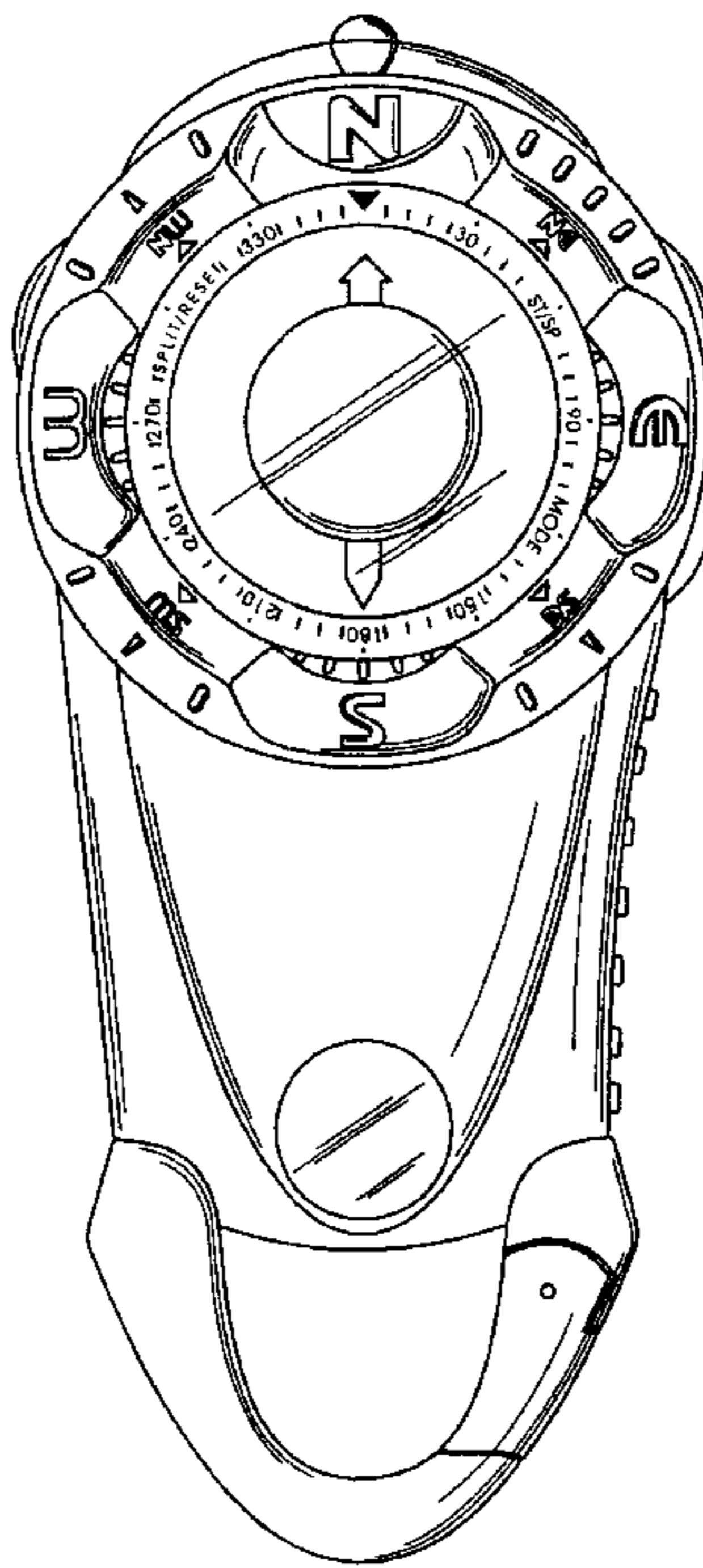
FIG. 4 is a right side view thereof;

FIG. 5 is a top plan view thereof;

FIG. 6 is a bottom plan view thereof; and,

FIG. 7 is a perspective view thereof with the ring at the bottom of the article being opened.

1 Claim, 3 Drawing Sheets



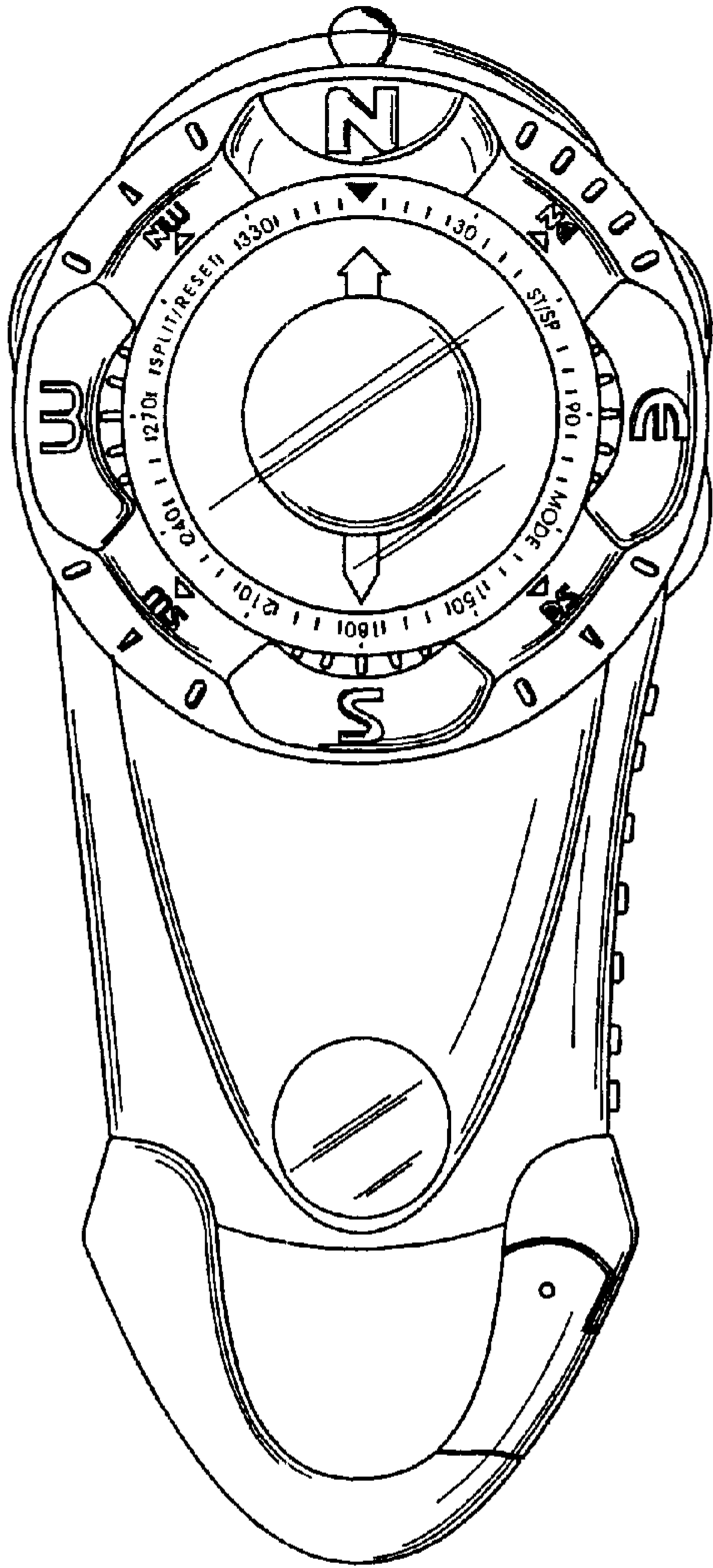


FIG. 1

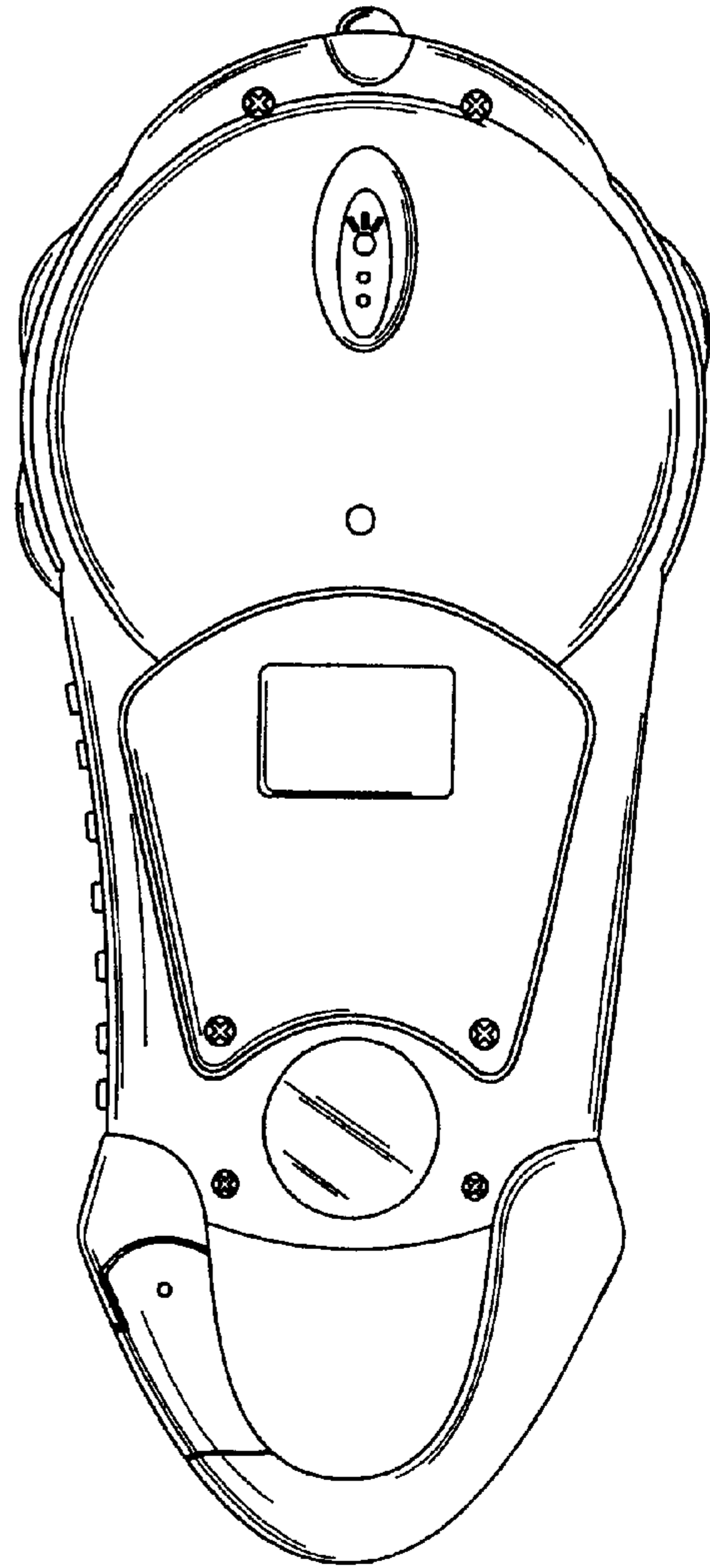


FIG. 2

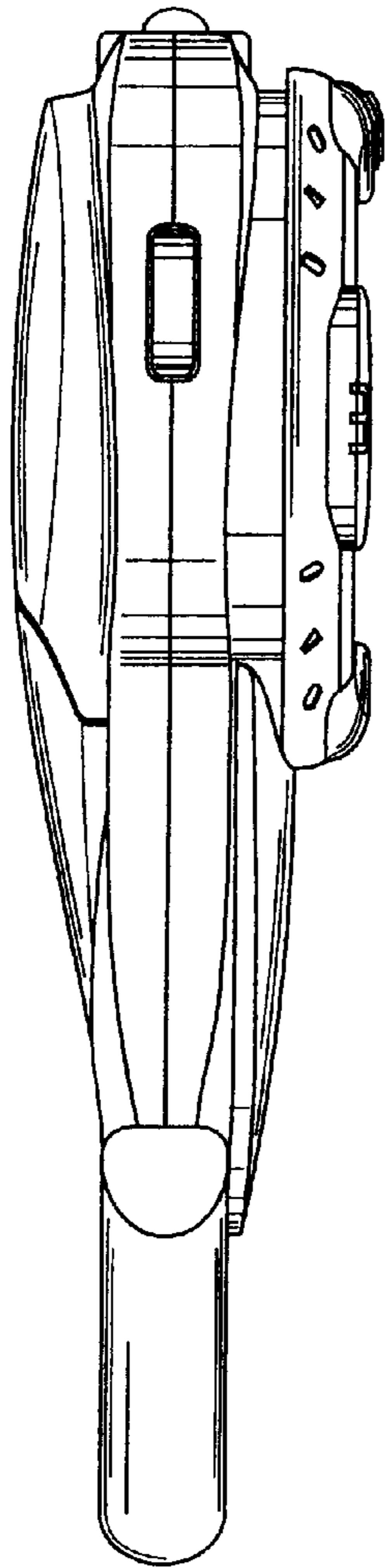


FIG. 3

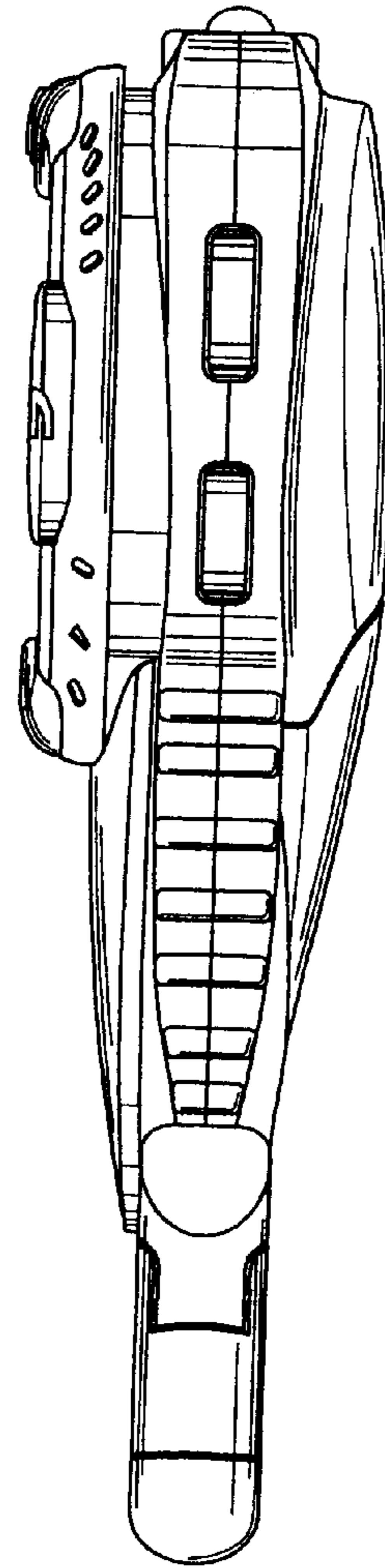


FIG. 4

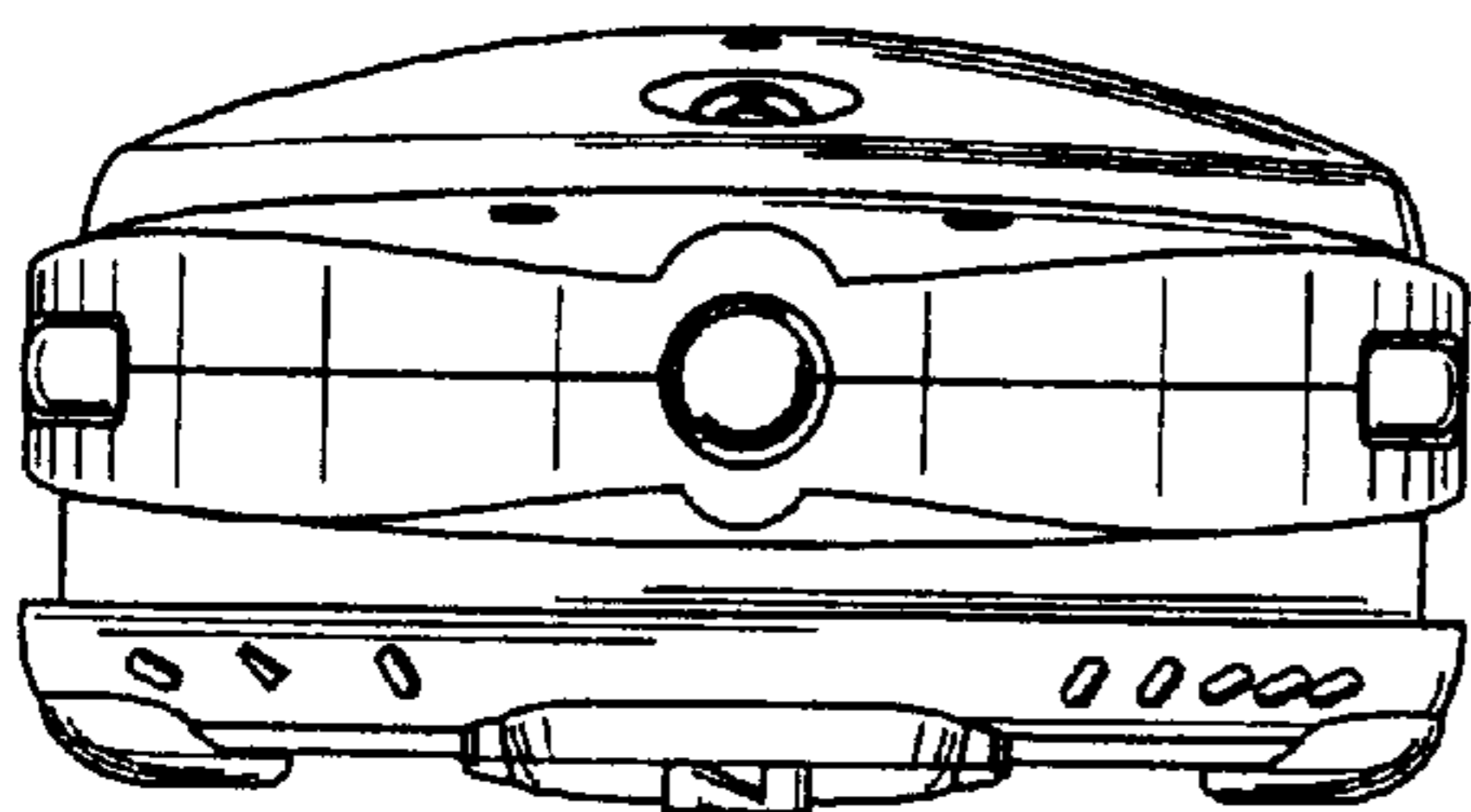


FIG. 5

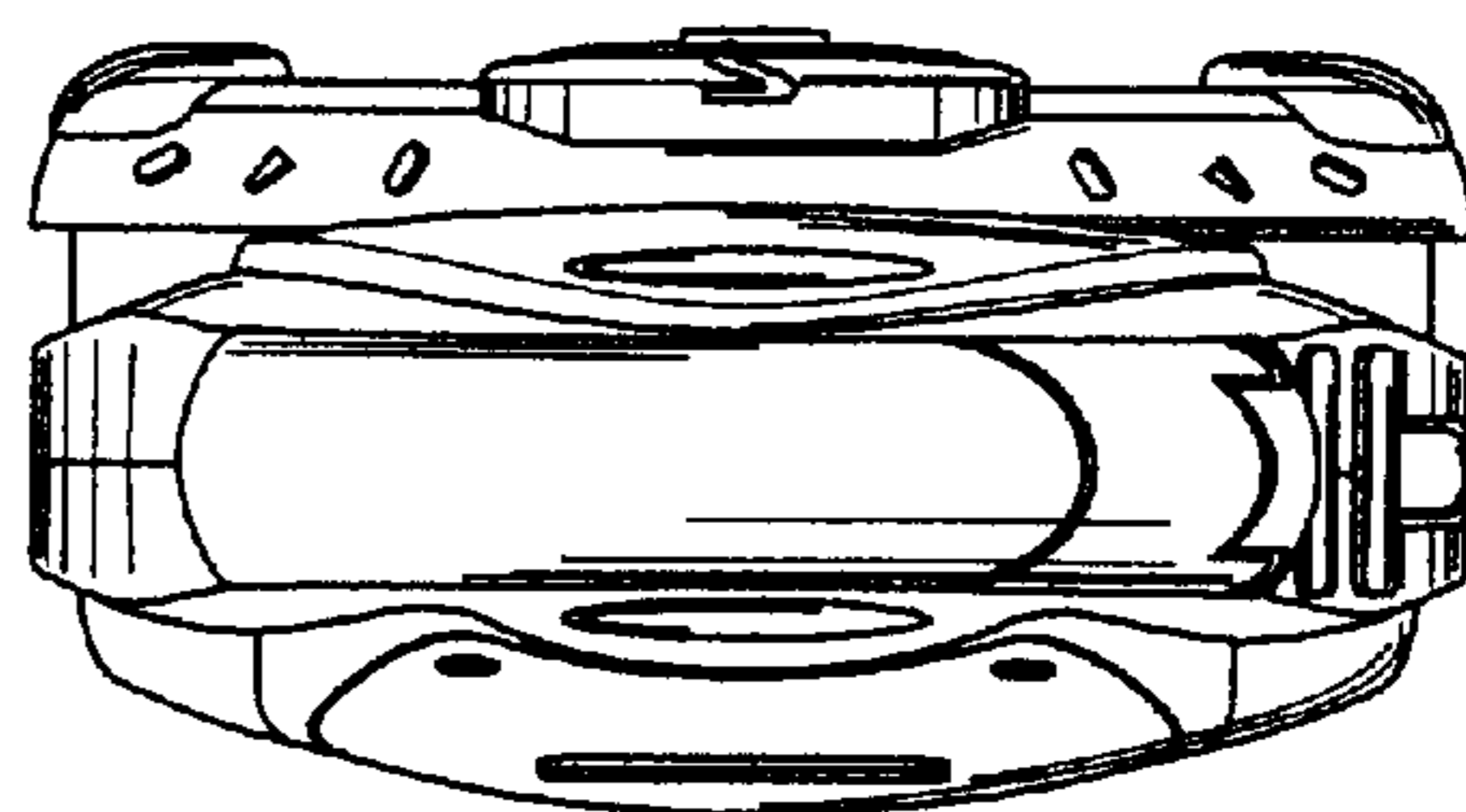


FIG. 6

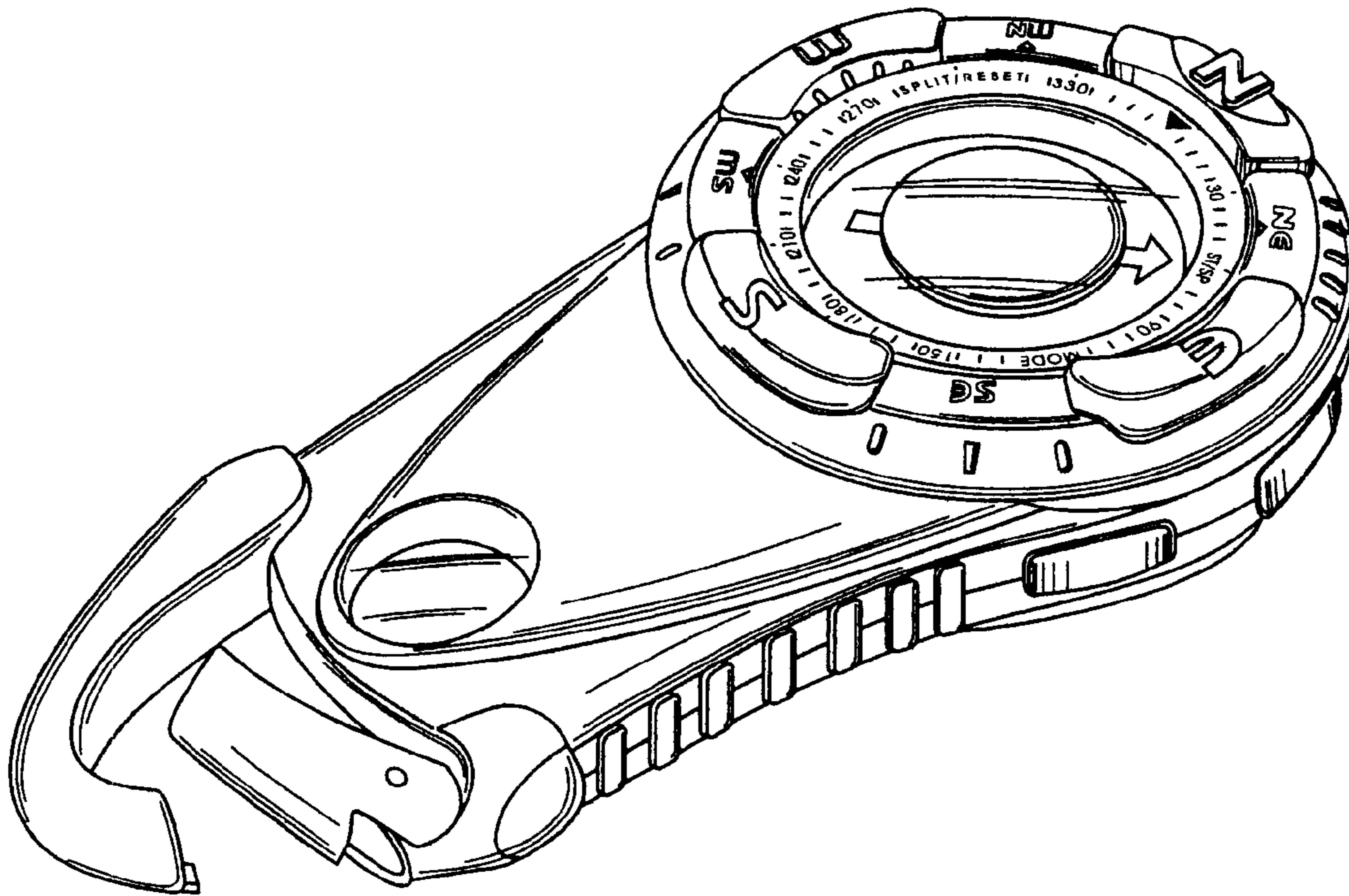


FIG. 7