

US00D535881S

(12) **United States Design Patent**
Liukko

(10) **Patent No.:** **US D535,881 S**
(45) **Date of Patent:** **** Jan. 30, 2007**

(54) **PACKAGING CRATE**
(75) Inventor: **Aki Liukko**, Vaajakoski (FI)
(73) Assignee: **Valio OY**, Jyvaskyla (FI)
(**) Term: **14 Years**

6,131,730 A * 10/2000 Hsu 206/203
6,237,758 B1 * 5/2001 Hsu 206/203
D461,054 S * 8/2002 Hammett D3/314
D465,417 S * 11/2002 Apps D9/456
D466,018 S * 11/2002 Apps D9/456
D494,867 S * 8/2004 Apps D9/456
D505,014 S * 5/2005 Apps et al. D3/311

* cited by examiner

(21) Appl. No.: **29/214,216**
(22) Filed: **Sep. 30, 2004**
(30) **Foreign Application Priority Data**

Primary Examiner—Robert M. Spear
Assistant Examiner—Susan Bennett Hattan
(74) *Attorney, Agent, or Firm*—Buchanan Ingersoll PC

Apr. 2, 2004 (EM) 000164611

(57) **CLAIM**

(51) **LOC (8) Cl.** **09-03**
(52) **U.S. Cl.** **D9/456; D9/756; D3/304**
(58) **Field of Classification Search** D9/457,
D9/456, 432, 425, 424, 756; D7/357; D3/319,
D3/311–314, 304; 220/500; 211/73, 59.4;
206/564, 519, 518, 504, 499, 496, 427, 391,
206/356, 354, 265, 203

The ornamental design for a packaging crate, as shown and described.

See application file for complete search history.

DESCRIPTION

(56) **References Cited**

FIG. 1 is a front, side isometric view of a packaging crate showing my new design.
FIG. 2 is a bottom view thereof.
FIG. 3 is a front perspective view thereof; the rear perspective view being a mirror image thereof.
FIG. 4 is a top plan view thereof; and,
FIG. 5 is a left side elevational view thereof; the right side being a mirror image thereof.

U.S. PATENT DOCUMENTS

4,978,002 A * 12/1990 Apps et al. 206/201
D379,121 S * 5/1997 Apps et al. D3/312

1 Claim, 5 Drawing Sheets

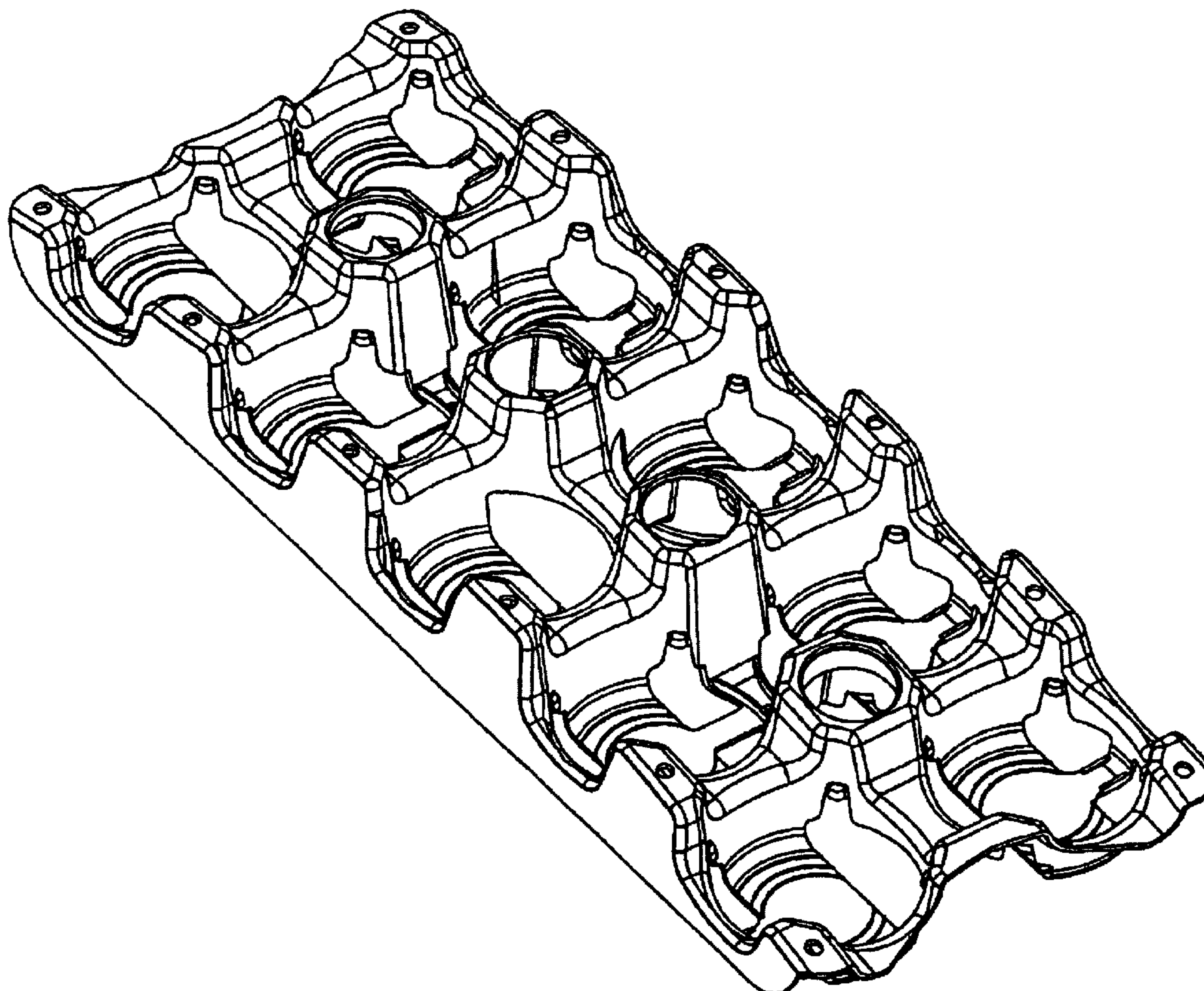


FIG. 1

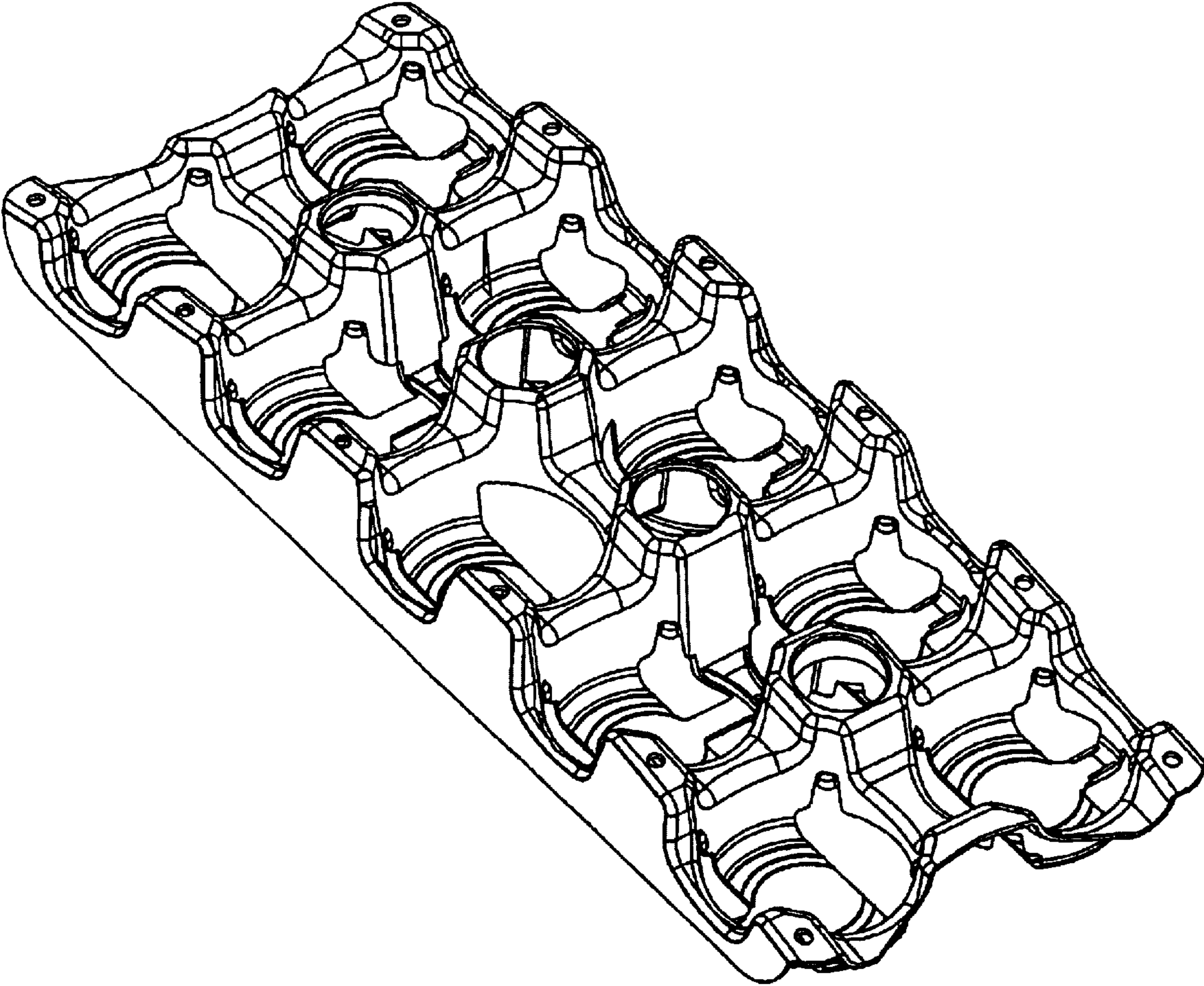


FIG. 2

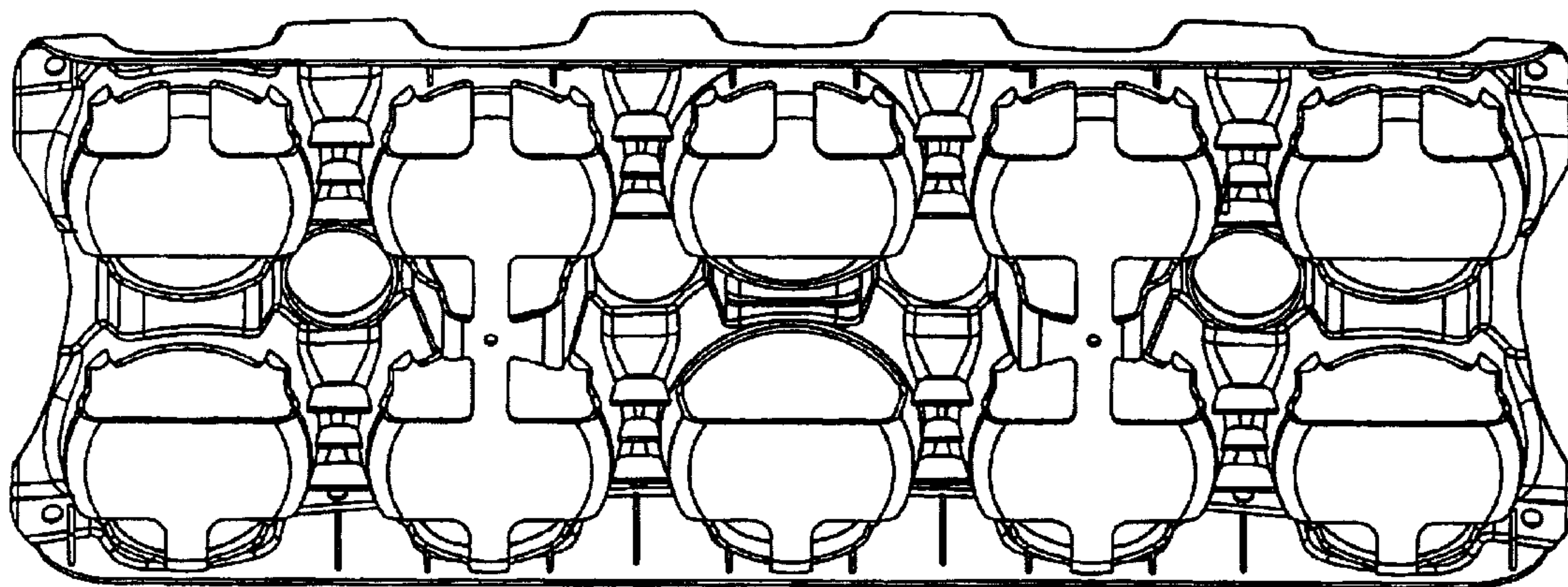


FIG. 3

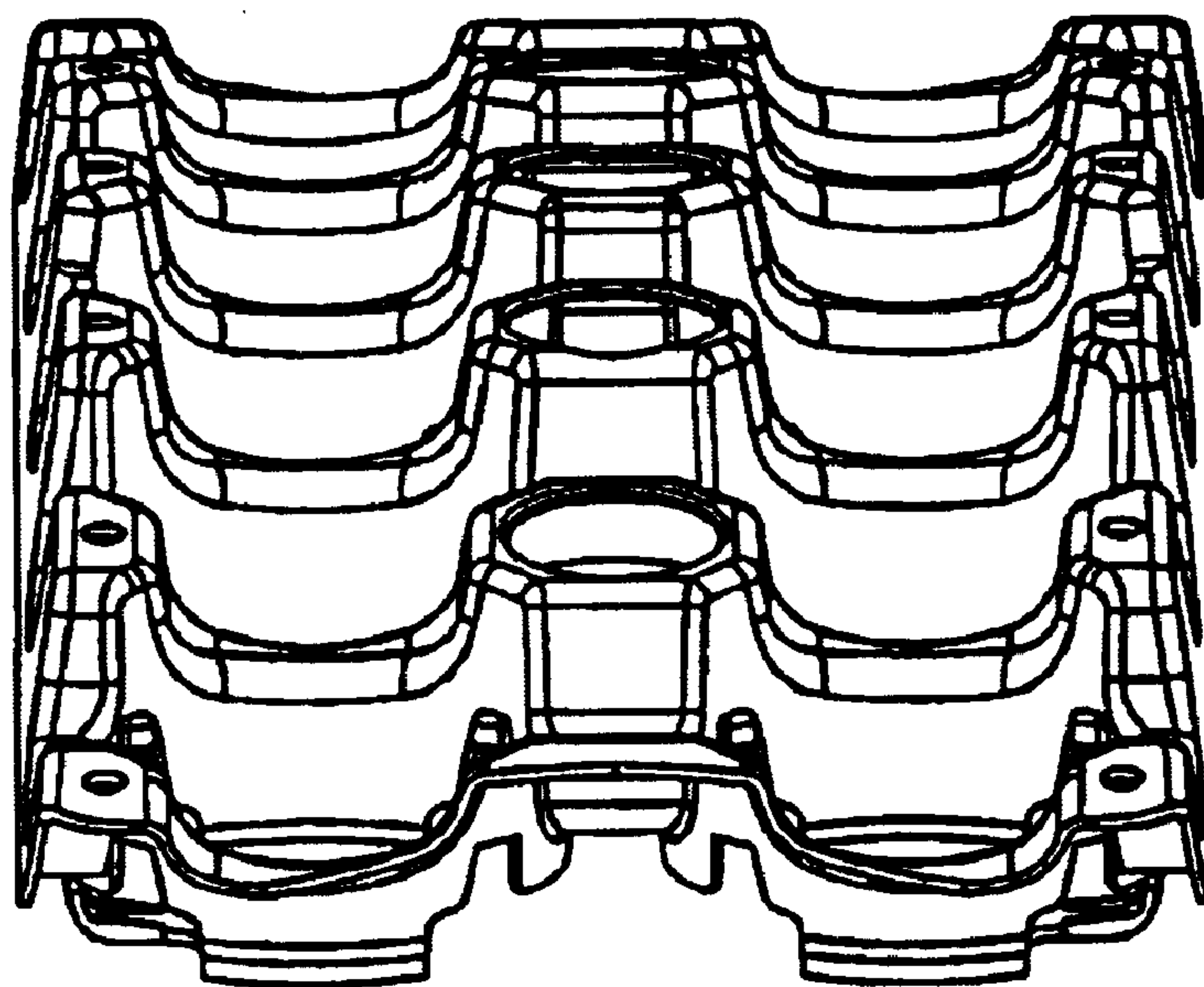


FIG. 4

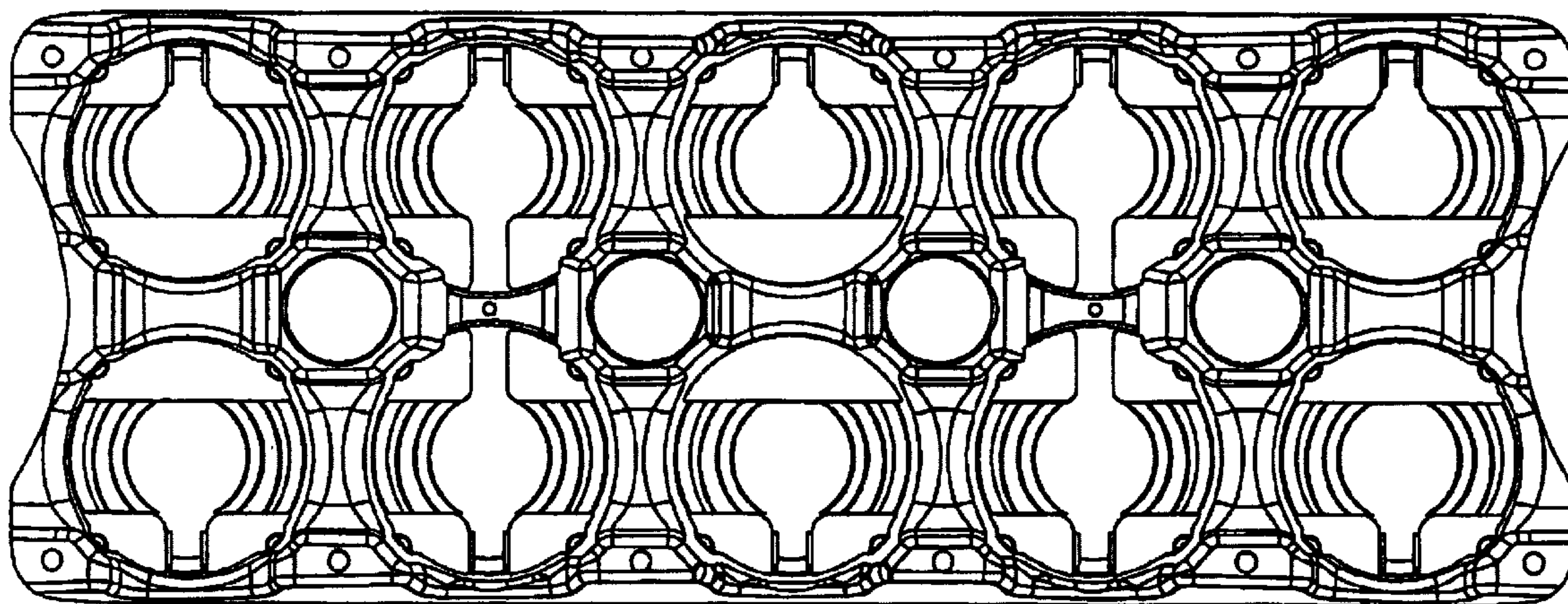


FIG. 5

