



US00D535879S

(12) **United States Design Patent**  
**Crawford et al.**

(10) **Patent No.:** **US D535,879 S**  
(45) **Date of Patent:** **\*\* Jan. 30, 2007**

(54) **CLOSURE**

(75) Inventors: **John C. Crawford**, Mahopac, NY  
(US); **Bruce Cummings**, New York,  
NY (US)

(73) Assignee: **Colgate-Palmolive Company**, New  
York, NY (US)

(\*\*) **Term:** **14 Years**

(21) Appl. No.: **29/226,708**

(22) Filed: **Mar. 31, 2005**

(51) **LOC (8) Cl.** ..... **09-07**

(52) **U.S. Cl.** ..... **D9/451; D9/452**

(58) **Field of Classification Search** ..... D9/454,  
D9/452, 451, 447, 440, 435; D8/310, 305;  
D23/250, 245, 242, 238; D11/227, 225, 222;  
222/562, 499; 215/361, 355, 300, 299, 294,  
215/247, 235, 220, 218, 217, 216

See application file for complete search history.

(56) **References Cited**

**U.S. PATENT DOCUMENTS**

D138,874 S \* 9/1944 Drell ..... D11/222  
D138,876 S \* 9/1944 Drell ..... D11/227  
D139,516 S \* 11/1944 Drell ..... D11/222  
D250,538 S \* 12/1978 Hart ..... D23/251

D352,906 S \* 11/1994 Gobe ..... D9/663  
D455,016 S \* 4/2002 Newhouse ..... D6/332  
D501,390 S \* 2/2005 Fields ..... D8/310  
D512,911 S \* 12/2005 Floyd et al. .... D9/435  
D520,361 S \* 5/2006 Crawford et al. .... D9/453

**OTHER PUBLICATIONS**

6 photos showing bottle closures: Palmolive, Mir, Sun Light,  
Pathmark Green Apple, Pathmark Emerald and Shoprite  
Ultra So Soft.

\* cited by examiner

*Primary Examiner*—Robert M. Spear

*Assistant Examiner*—Susan Bennett Hattan

(74) *Attorney, Agent, or Firm*—Ellen K. Park

(57) **CLAIM**

The ornamental design for a closure, as shown and  
described.

**DESCRIPTION**

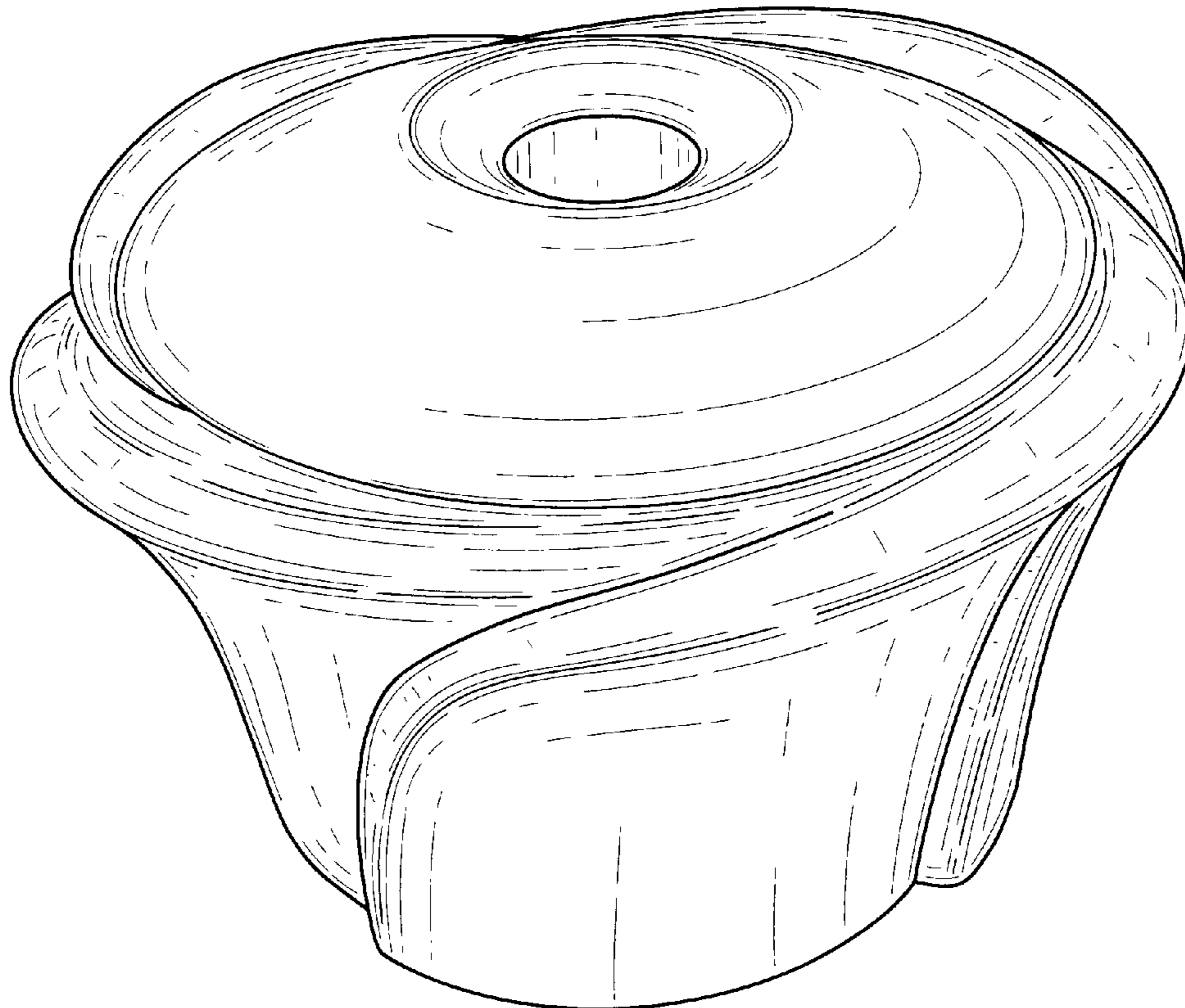
FIG. 1 is a perspective view of the closure of my design;  
FIG. 2 is a side elevation view thereof.

FIG. 3 is a top plan view thereof; and,

FIG. 4 is a bottom plan view thereof.

The broken line showing of a bottom portion of the closure  
is for illustrative purposes only and forms no part of the  
claimed design.

**1 Claim, 4 Drawing Sheets**



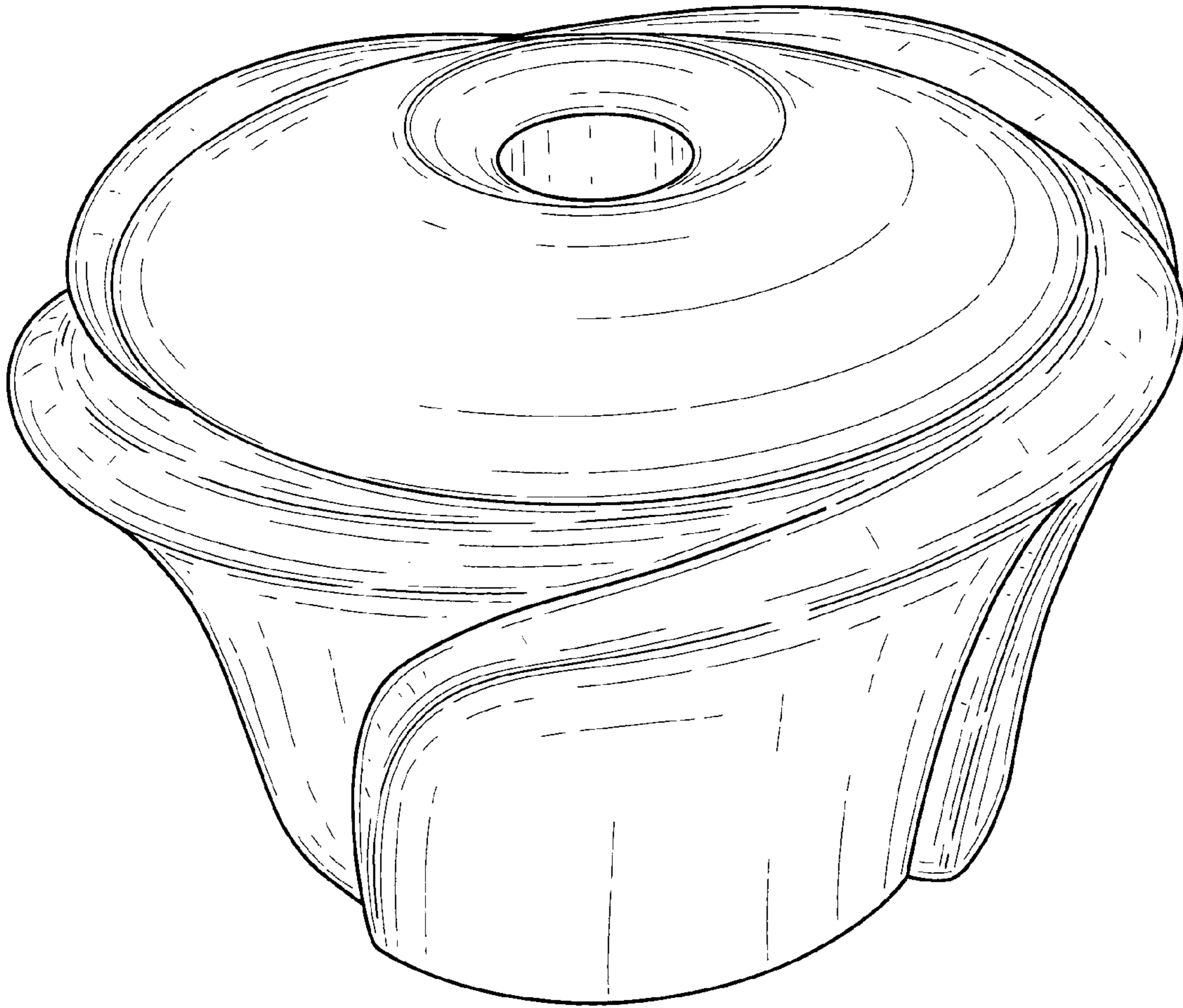


FIG. 1

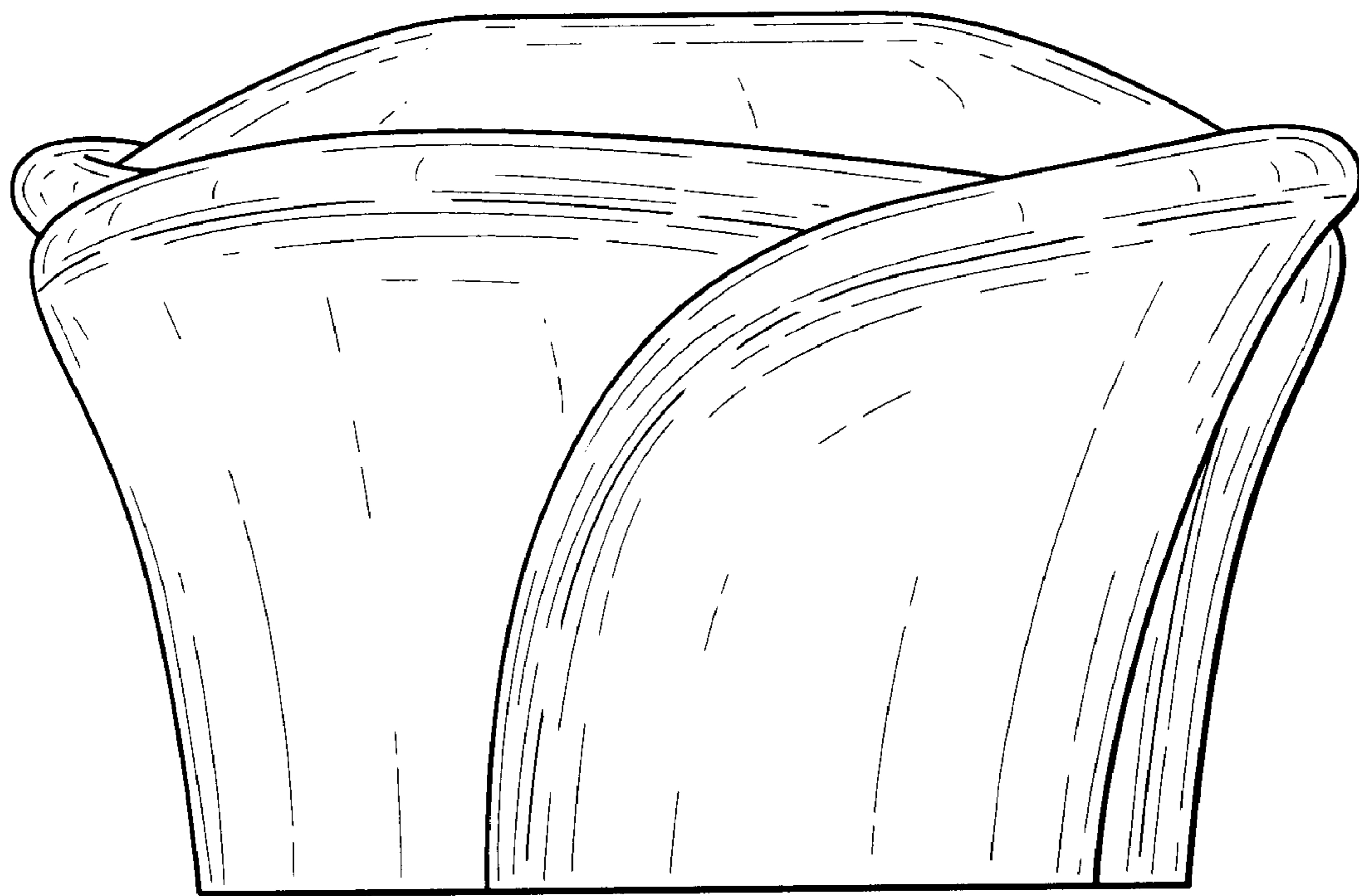


FIG. 2

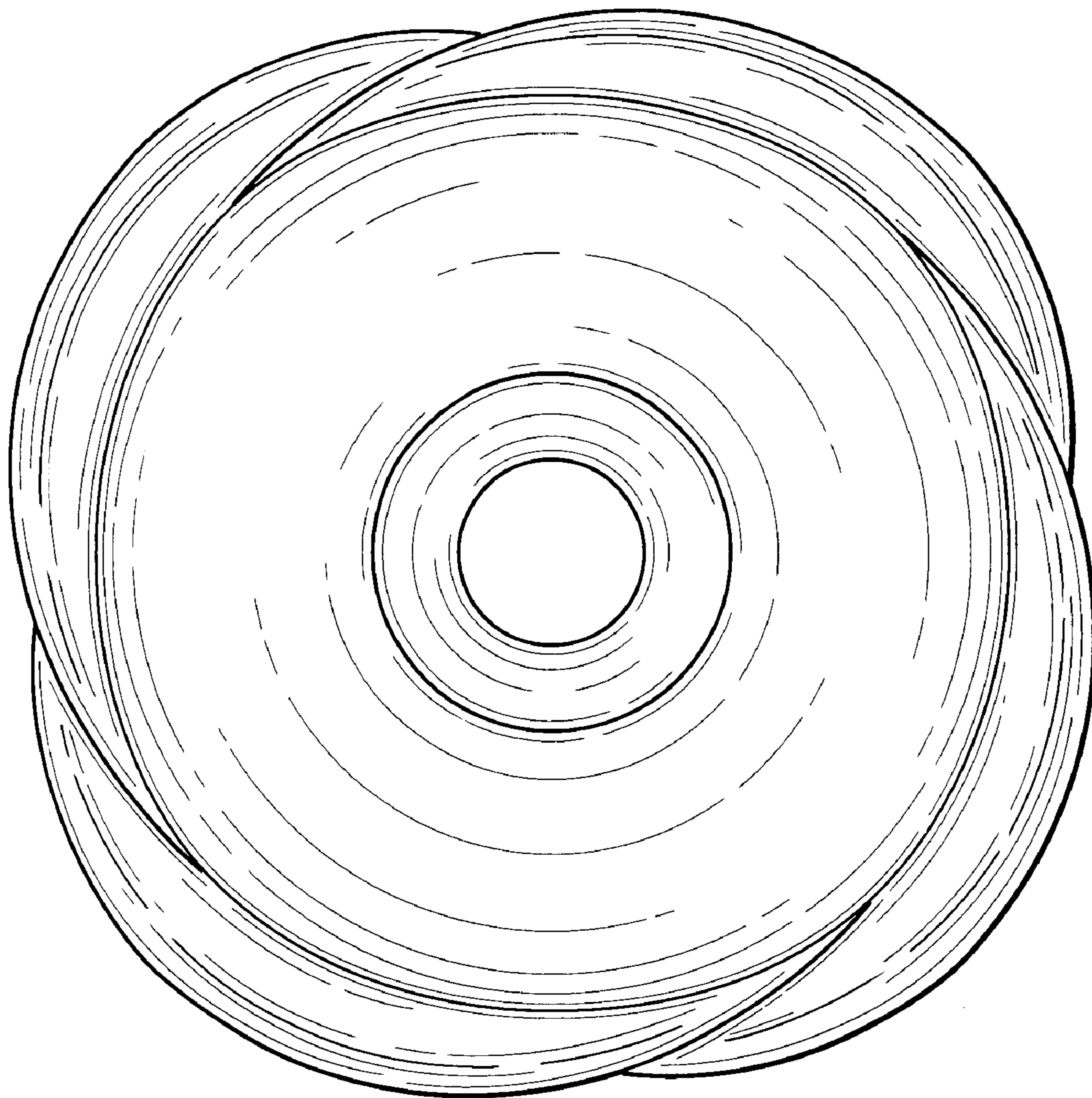


FIG. 3



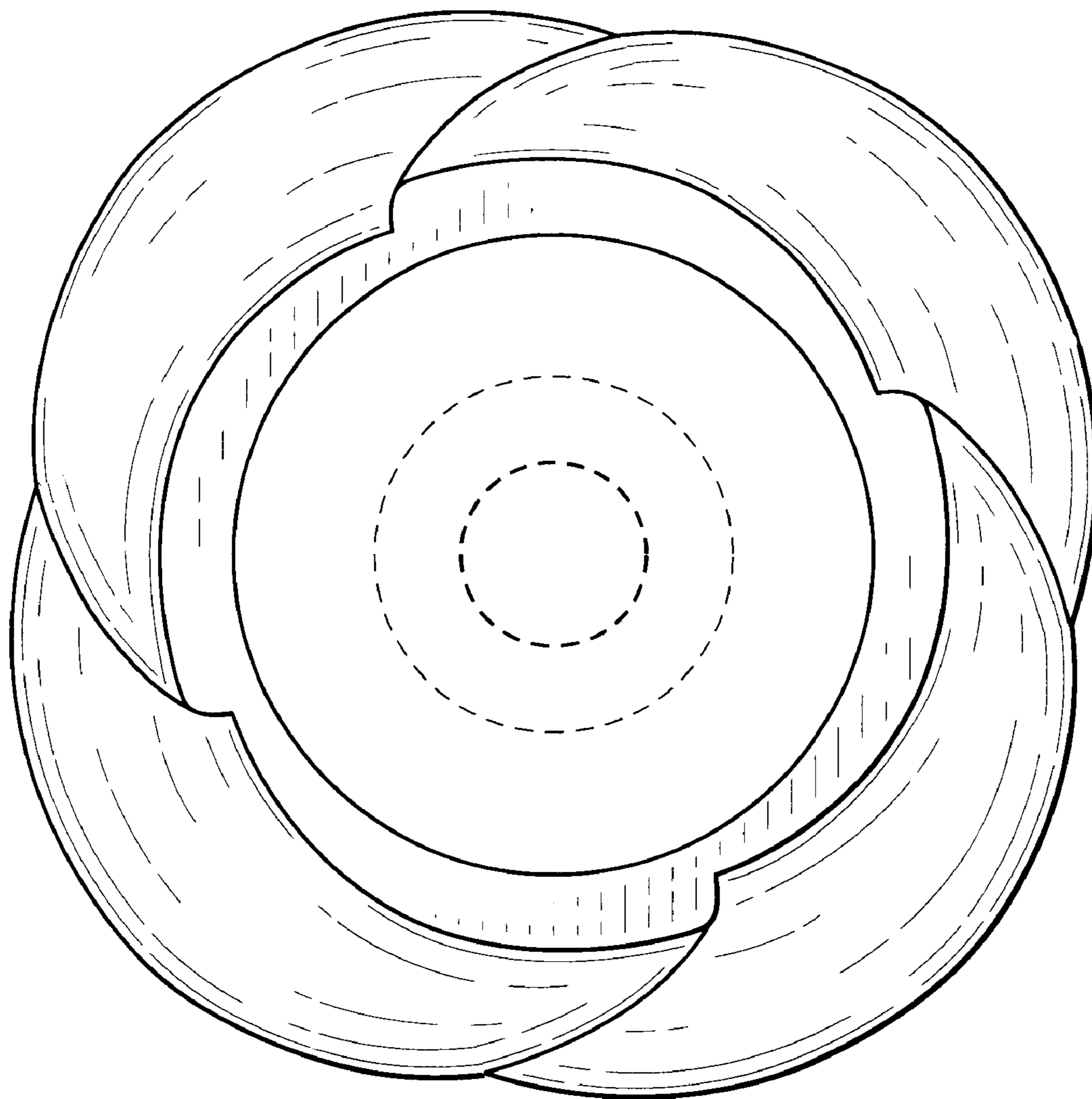


FIG. 4