



US00D535876S

(12) **United States Design Patent**
Le Bras

(10) **Patent No.:** **US D535,876 S**

(45) **Date of Patent:** **** Jan. 30, 2007**

(54) **CARTON WITH A SIDE OPENING**

D455,956 S * 4/2002 Thompson et al. D9/418
2002/0108962 A1 * 8/2002 Mangin 221/63

(75) Inventor: **Philippe Le Bras**, Chateauroux (FR)

FOREIGN PATENT DOCUMENTS

(73) Assignee: **MeadWestvaco Packaging Systems, LLC**, Glen Allen, VA (US)

FR	2 575 725	7/1986
GB	830 200	3/1960
GB	1 481 559	8/1977
GB	2 346 602 A	8/2000
IE	990940 A2	5/2001
NL	7 513 041	11/1975

(**) Term: **14 Years**

* cited by examiner

(21) Appl. No.: **29/241,056**

(22) Filed: **Oct. 21, 2005**

(51) **LOC (8) Cl.** **09-07**

Primary Examiner—Robert M. Spear

(52) **U.S. Cl.** **D9/434**

Assistant Examiner—Susan Bennett Hattan

(58) **Field of Classification Search** D9/753,
D9/632, 457, 456, 435, 434, 433, 423, 418;
D5/63; D3/308; D2/869; 221/63; 206/197,
206/188, 182, 173

(74) *Attorney, Agent, or Firm*—Tsugihiko Suzuki

See application file for complete search history.

(57) **CLAIM**

The ornamental design for a carton with a side opening, as shown and described.

(56) **References Cited**

DESCRIPTION

U.S. PATENT DOCUMENTS

3,224,632 A	*	12/1965	Marcalus	221/48
D235,514 S	*	6/1975	Hackenberg	D9/418
D274,573 S	*	7/1984	Torokvei	D3/309
D389,739 S	*	1/1998	Auclair	D9/433
D415,424 S	*	10/1999	Hill	D9/434
D418,052 S	*	12/1999	Scrimger	D9/434
D433,260 S	*	11/2000	Shimbo et al.	D6/515
D445,028 S	*	7/2001	Grubstein	D9/447

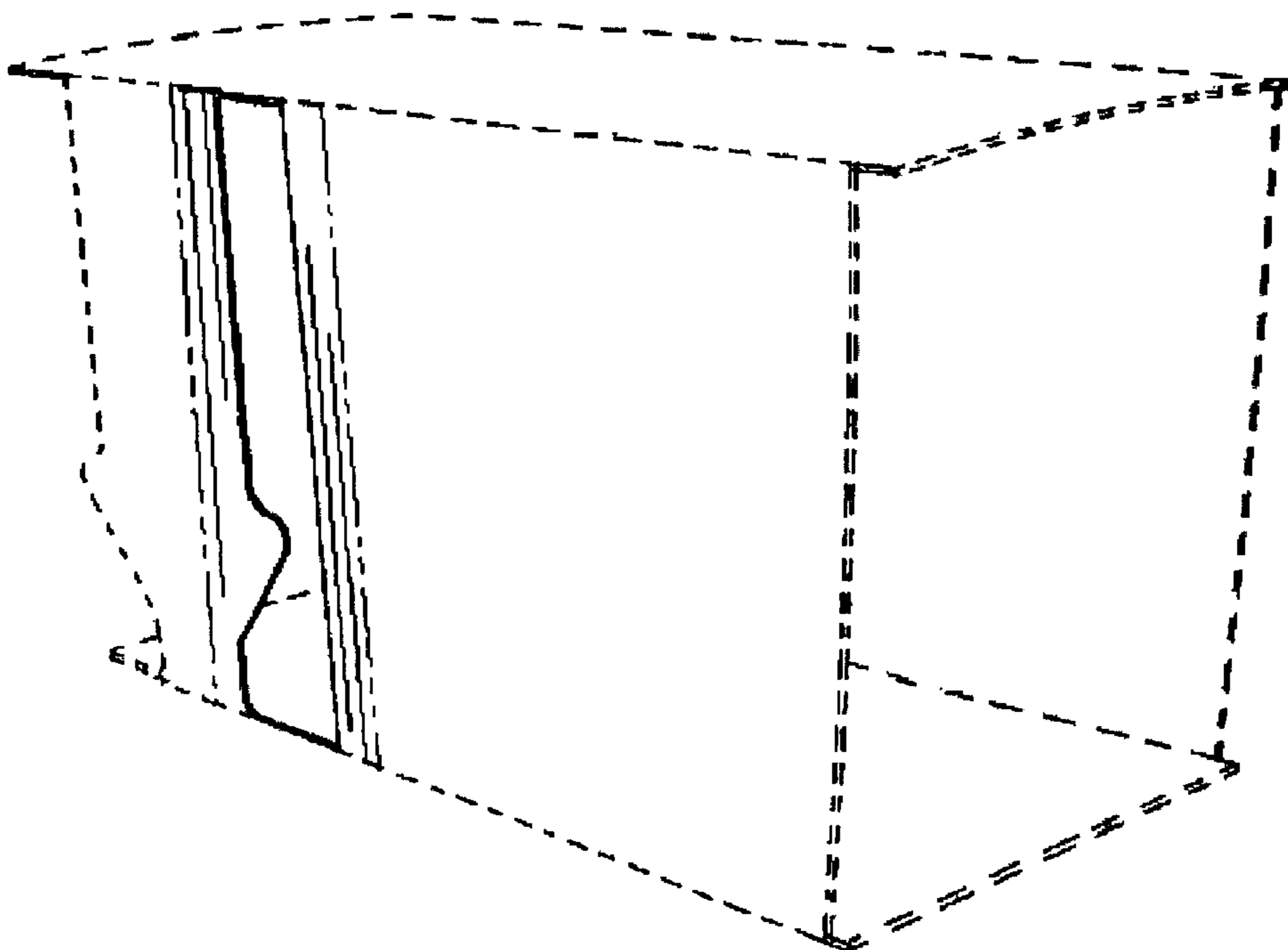
FIG. 1 is a perspective view of a carton with a side opening; and,

FIG. 2 is a front elevation thereof.

The dash-dot-dot-dash lines adjacent to the shaded areas define the bounds of the claimed design.

The broken lines showing of cartons are for illustrative purpose only and form no part of the claimed design.

1 Claim, 1 Drawing Sheet



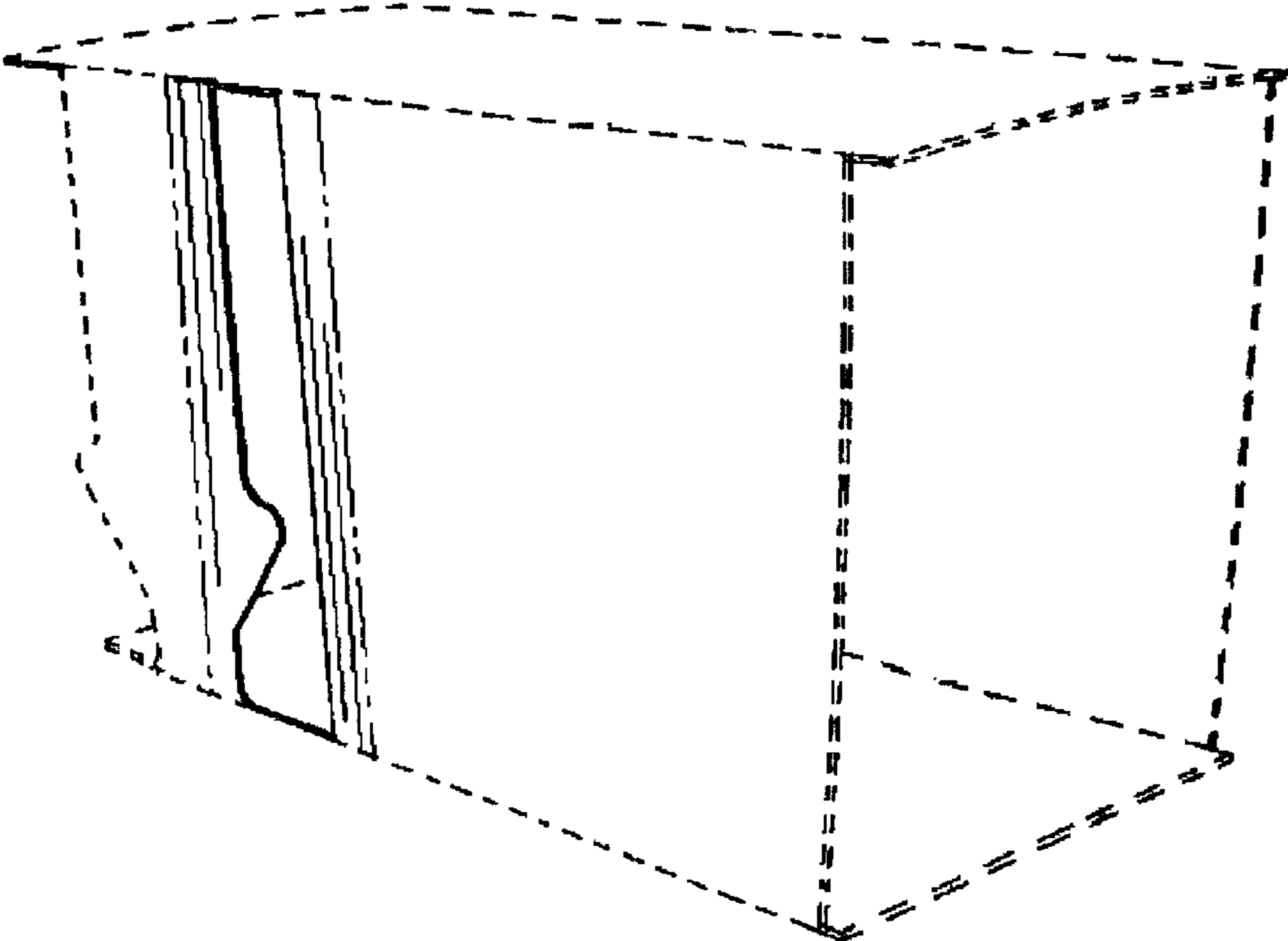


FIG. 1

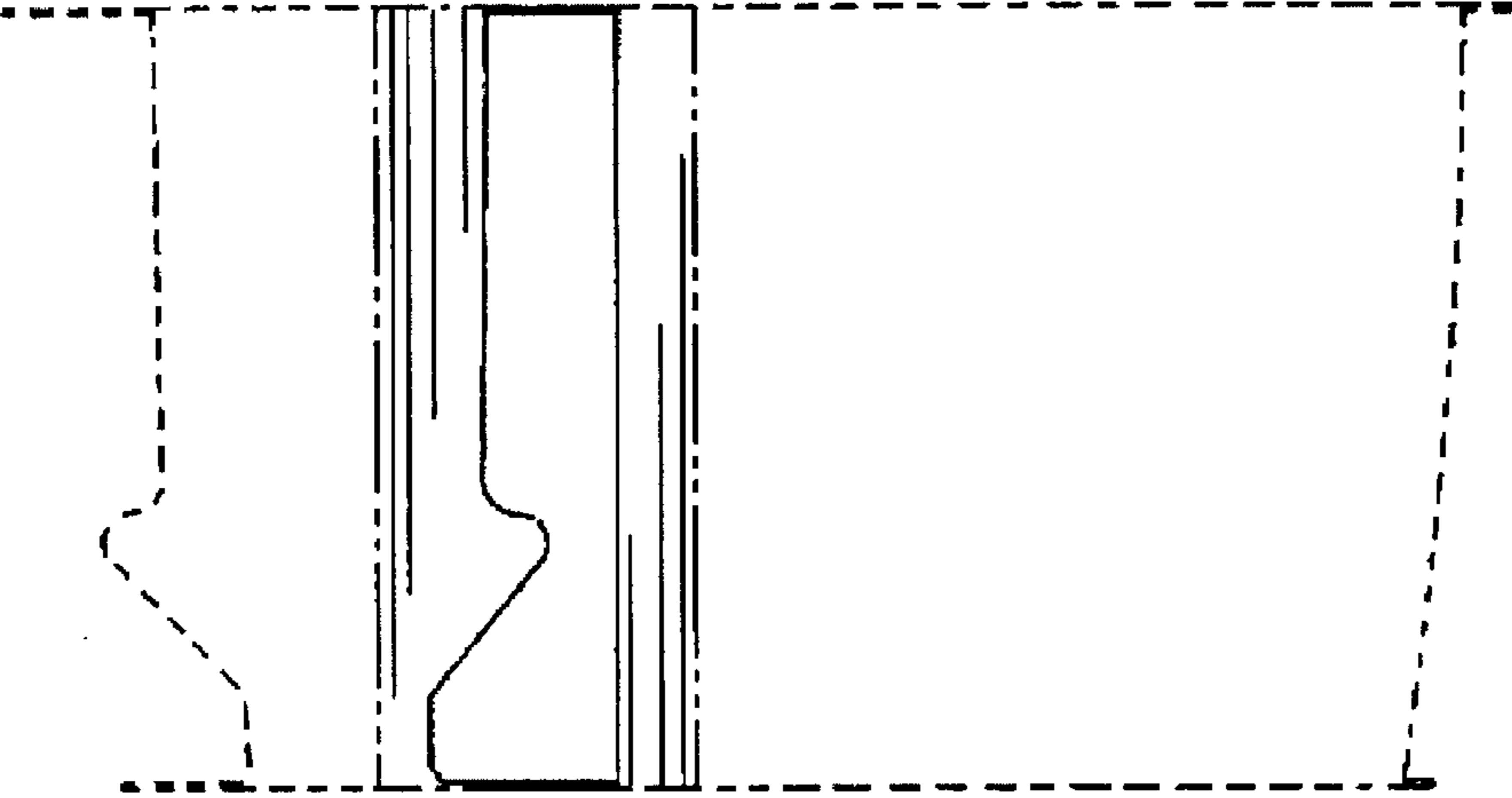


FIG. 2